



US00D808170S

(12) **United States Design Patent**
Goldszer

(10) **Patent No.:** **US D808,170 S**
(45) **Date of Patent:** **** *Jan. 23, 2018**

(54) **REMOVABLE PHONE OR ACCESSORY POUCH FOR A CHAIR WITH A PRIVACY PANEL**

(71) Applicant: **JGR Copa LLC**, Hollywood, FL (US)

(72) Inventor: **Jacob Goldszer**, Hollywood, FL (US)

(73) Assignee: **JGR Copa LLC**, Hollywood, FL (US)

(*) Notice: This patent is subject to a terminal disclaimer.

(**) Term: **15 Years**

(21) Appl. No.: **29/569,619**

(22) Filed: **Jun. 29, 2016**

(51) **LOC (11) Cl.** **03-01**

(52) **U.S. Cl.**
USPC **D3/303**

(58) **Field of Classification Search**
USPC D3/221, 255, 247, 269, 299, 273, 276,
D3/289, 293, 290, 301, 303, 318, 319;
(Continued)

(56) **References Cited**

U.S. PATENT DOCUMENTS

D363,603 S * 10/1995 Leveen D3/303
5,605,235 A * 2/1997 Johnson F16M 13/00
211/26.1

(Continued)

OTHER PUBLICATIONS

Rio SC642C HiBoy Beach Chair Free Shipping, Island Beach Gear, islandbeachgear.com, Code: S2236, MFG Code: SC6421610, Mar. 1, 2016, <https://www.islandbeachgear.com>.

Primary Examiner — Sandra Snapp

Assistant Examiner — Holly E Thurman

(74) *Attorney, Agent, or Firm* — Robert C. Kain, Jr.

(57) **CLAIM**

I claim the ornamental design for a removable phone or accessory pouch for a chair with a privacy panel, as shown and described.

DESCRIPTION

FIG. 1 is a perspective view of the removable phone or accessory pouch for a chair with a privacy panel in a deployed position from an inboard chair viewpoint.

FIG. 2 is a left side view of the removable phone or accessory pouch for a chair with a privacy panel in a deployed position.

FIG. 3 is a left side view of the removable phone or accessory pouch for a chair with a privacy panel with the privacy panel in a partly lifted position, shown in a condition of use with an unclaimed accessory.

FIG. 4 is a right side view of the removable phone or accessory pouch for a chair with a privacy panel as shown in both FIGS. 2 and 3.

FIG. 5 is a front elevational view of the removable phone or accessory pouch for a chair with a privacy panel with the privacy panel in the deployed position.

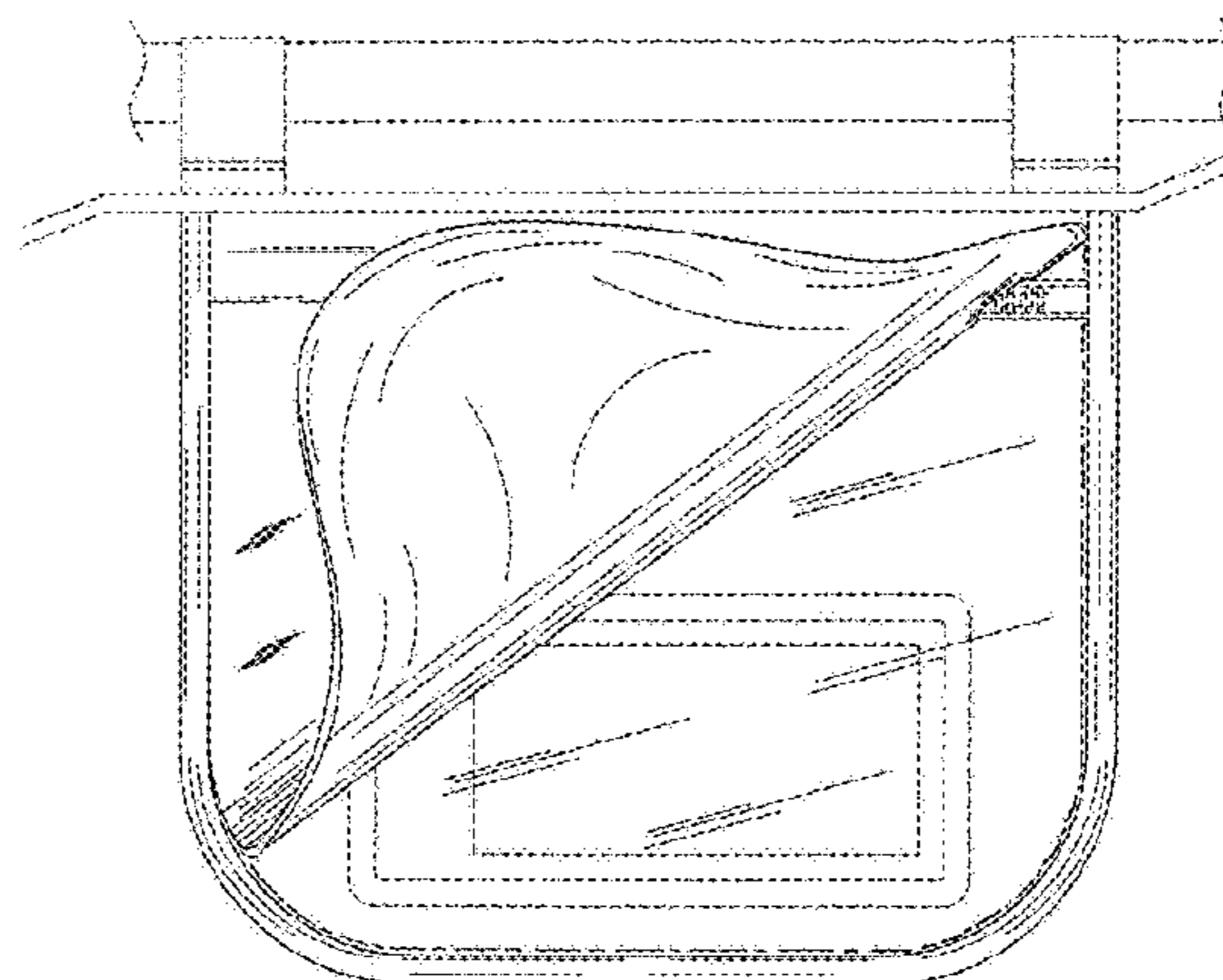
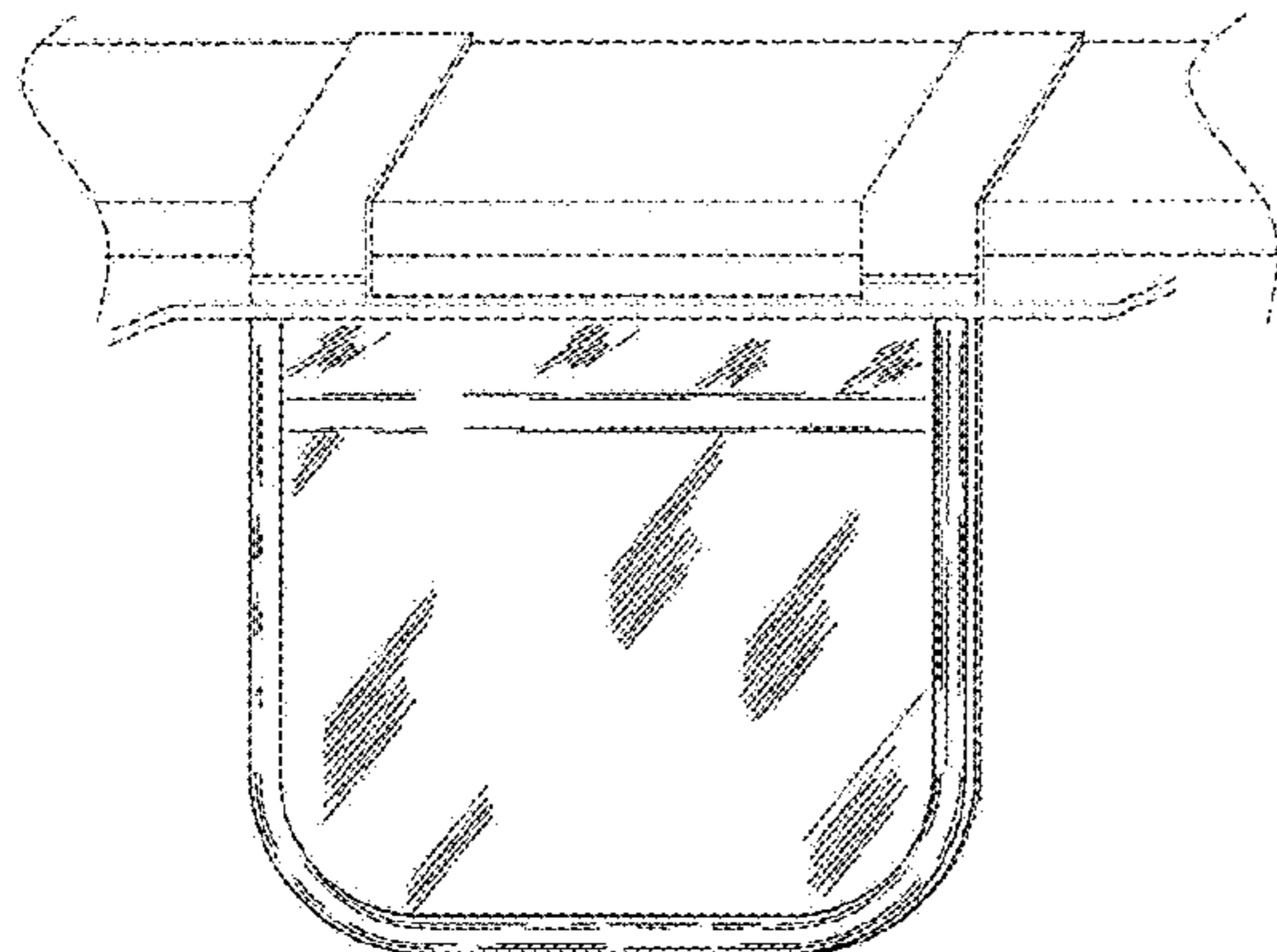
FIG. 6 is a rear elevational view of the removable phone or accessory pouch for a chair with a privacy panel with the privacy panel in the deployed position.

FIG. 7 is a bottom view of the removable phone or accessory pouch for a chair with a privacy panel with the privacy panel in the deployed position; and,

FIG. 8 is a top view of the removable phone or accessory pouch for a chair with a privacy panel with the privacy panel in the deployed position.

The claimed design is shown with a symbolic break in its length. The appearance of any portion of the case between the break lines forms no part of the claimed design. The broken lines immediately adjacent the claimed surfaces represent boundaries of the claimed design. The dash-dot-dash broken lines represent stitching. The dashed broken

(Continued)



lines depict unclaimed environmental structures, to include an accessory in FIG. 3. All broken lines form no part of the claimed design.

1 Claim, 8 Drawing Sheets

(58) **Field of Classification Search**

USPC D9/702, 703, 705, 707, 709, 710, 433,
D9/901; D14/250; D19/3
CPC A47C 7/62; A47C 1/14
See application file for complete search history.

(56) **References Cited**

U.S. PATENT DOCUMENTS

D482,195 S * 11/2003 Hansen D3/227
D483,213 S * 12/2003 Hassett D6/407

D484,689 S * 1/2004 Hansen D3/227
D522,750 S * 6/2006 Girod D3/303
D543,032 S * 5/2007 Owenby D3/303
D546,705 S * 7/2007 Suzuki D9/415
D601,799 S * 10/2009 Andre D3/303
D636,997 S * 5/2011 DeVoe D12/133
D694,009 S * 11/2013 D'Amore D3/249
D709,700 S * 7/2014 Nunez D3/303
D717,545 S * 11/2014 Chuang D3/318
D718,935 S * 12/2014 Hyzdu D3/303
D728,937 S * 5/2015 Fridley D3/303
D741,598 S * 10/2015 Calero D3/303
D744,236 S * 12/2015 Turksu D3/300
D753,398 S * 4/2016 Arami D3/299
D764,800 S * 8/2016 Juniper D3/303
D771,943 S * 11/2016 Milstead D3/303
2013/0328362 A1 * 12/2013 Miller A47C 7/62
297/188.2

* cited by examiner

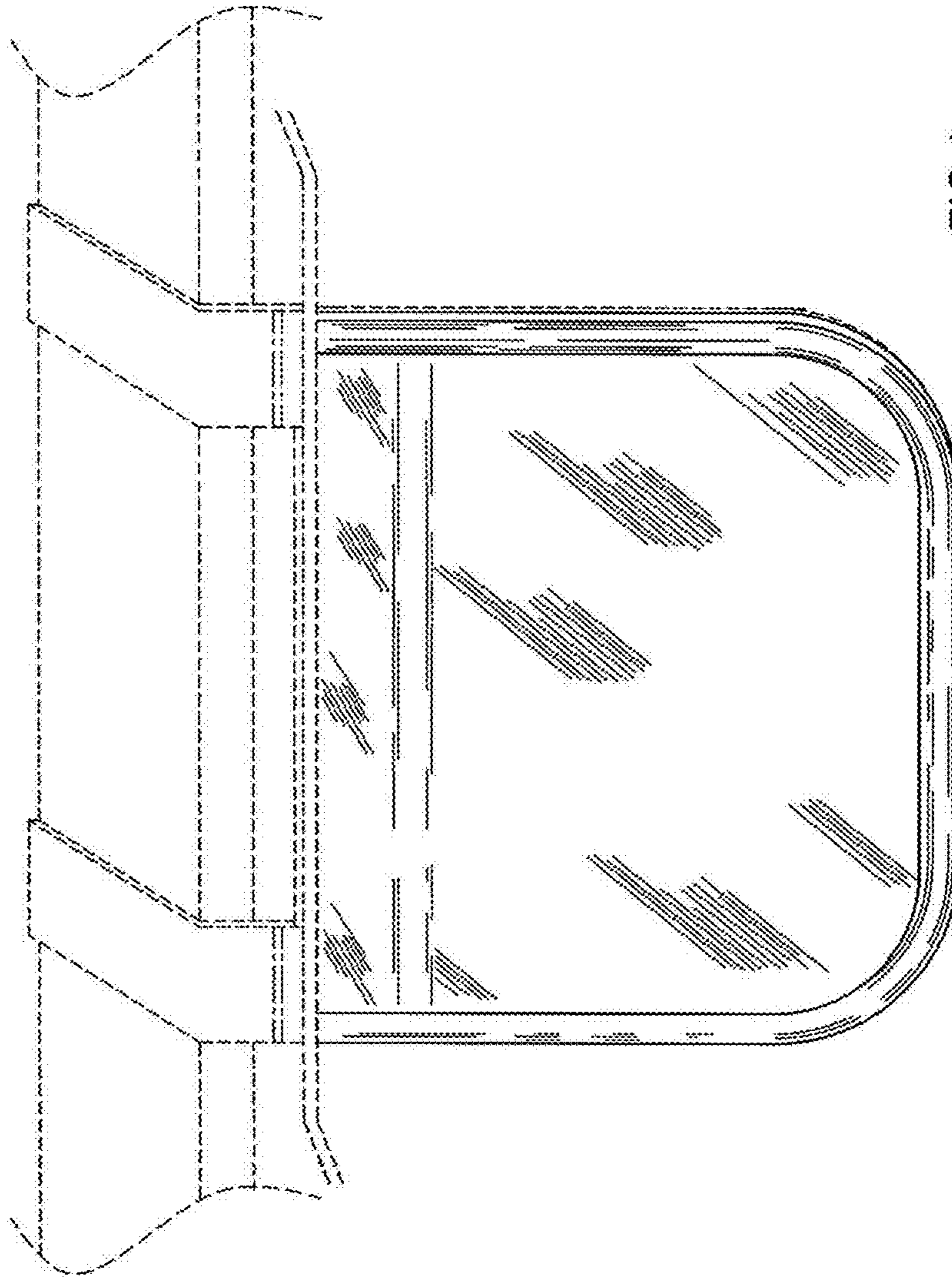


FIG.1

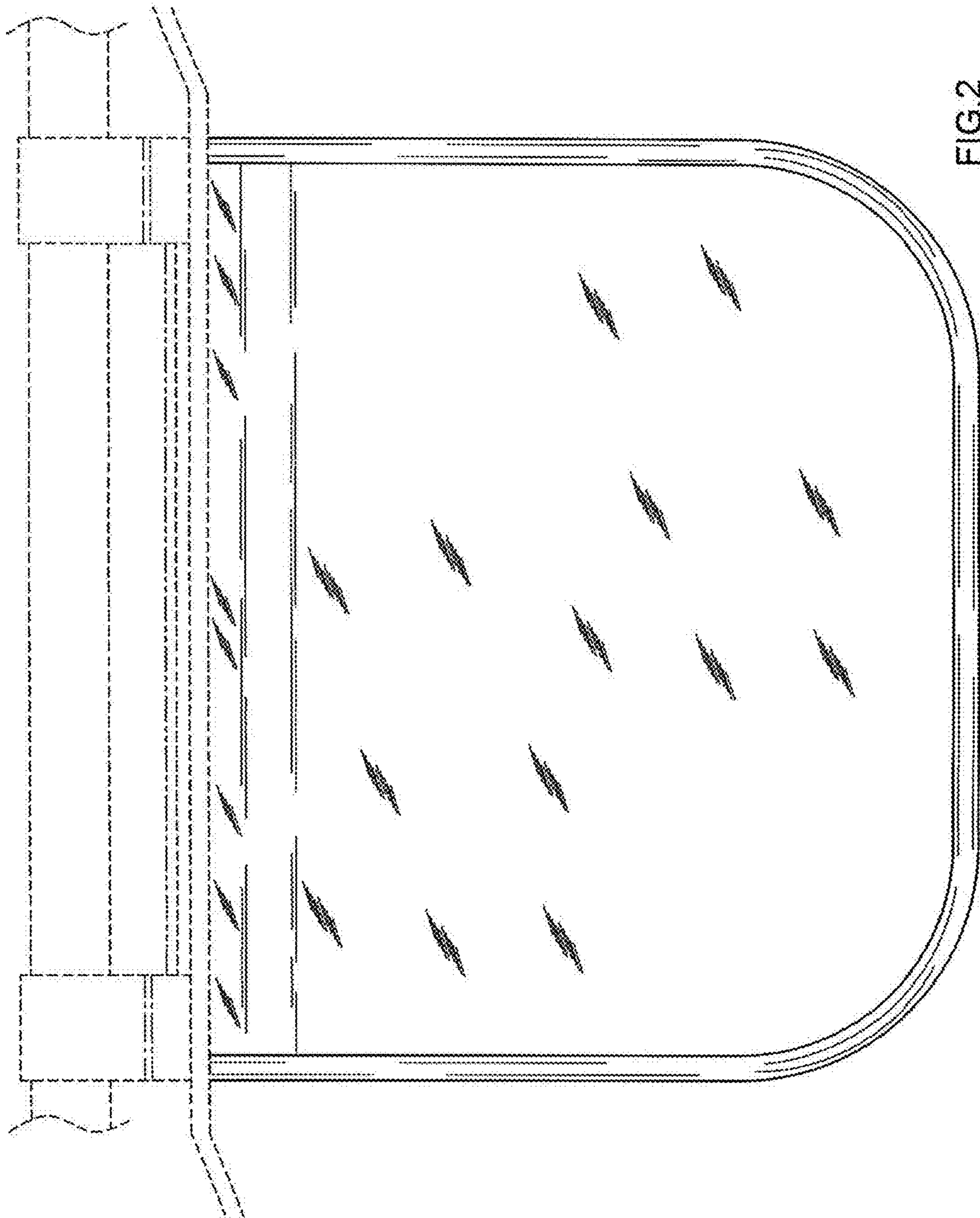


FIG. 2

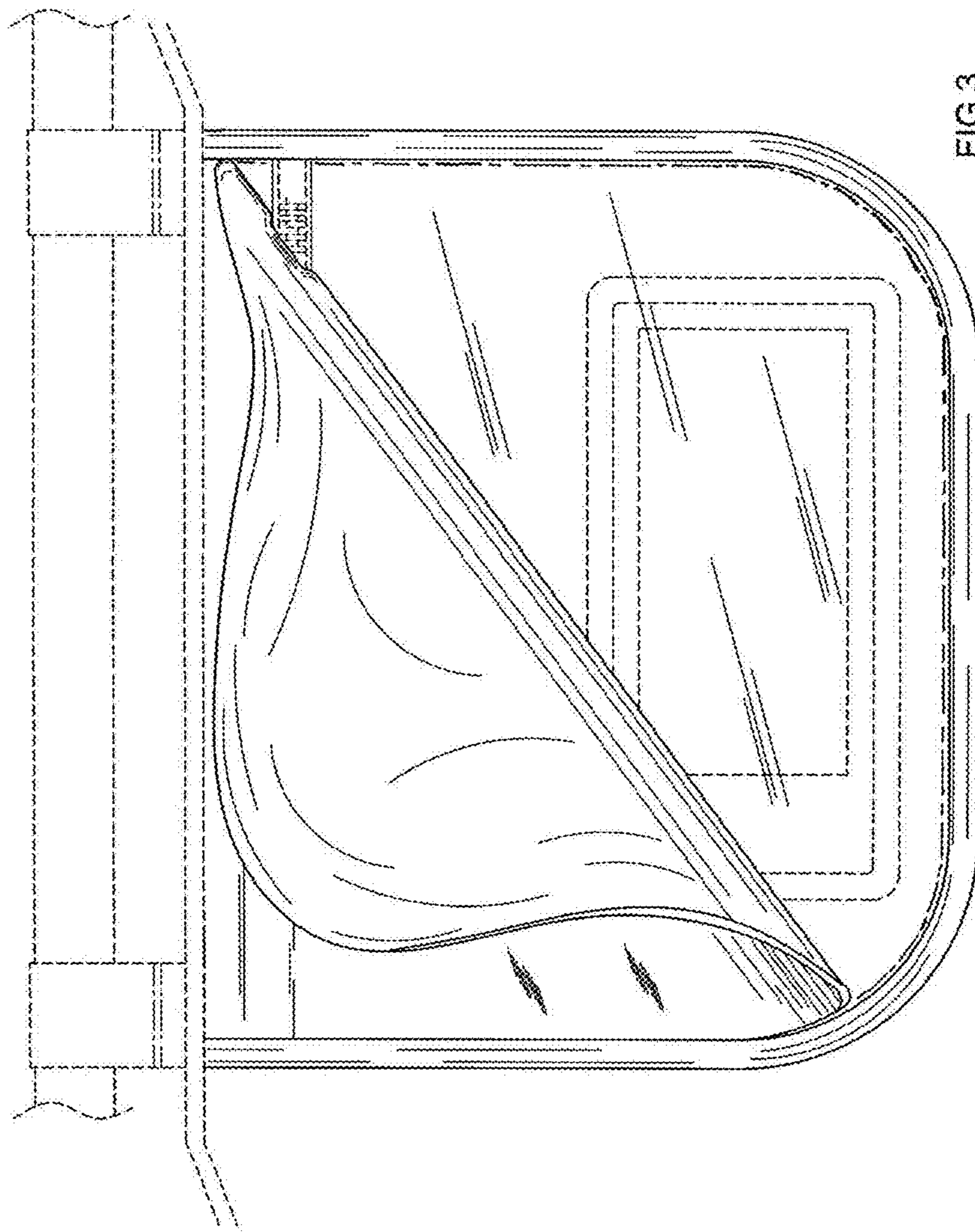


FIG. 3

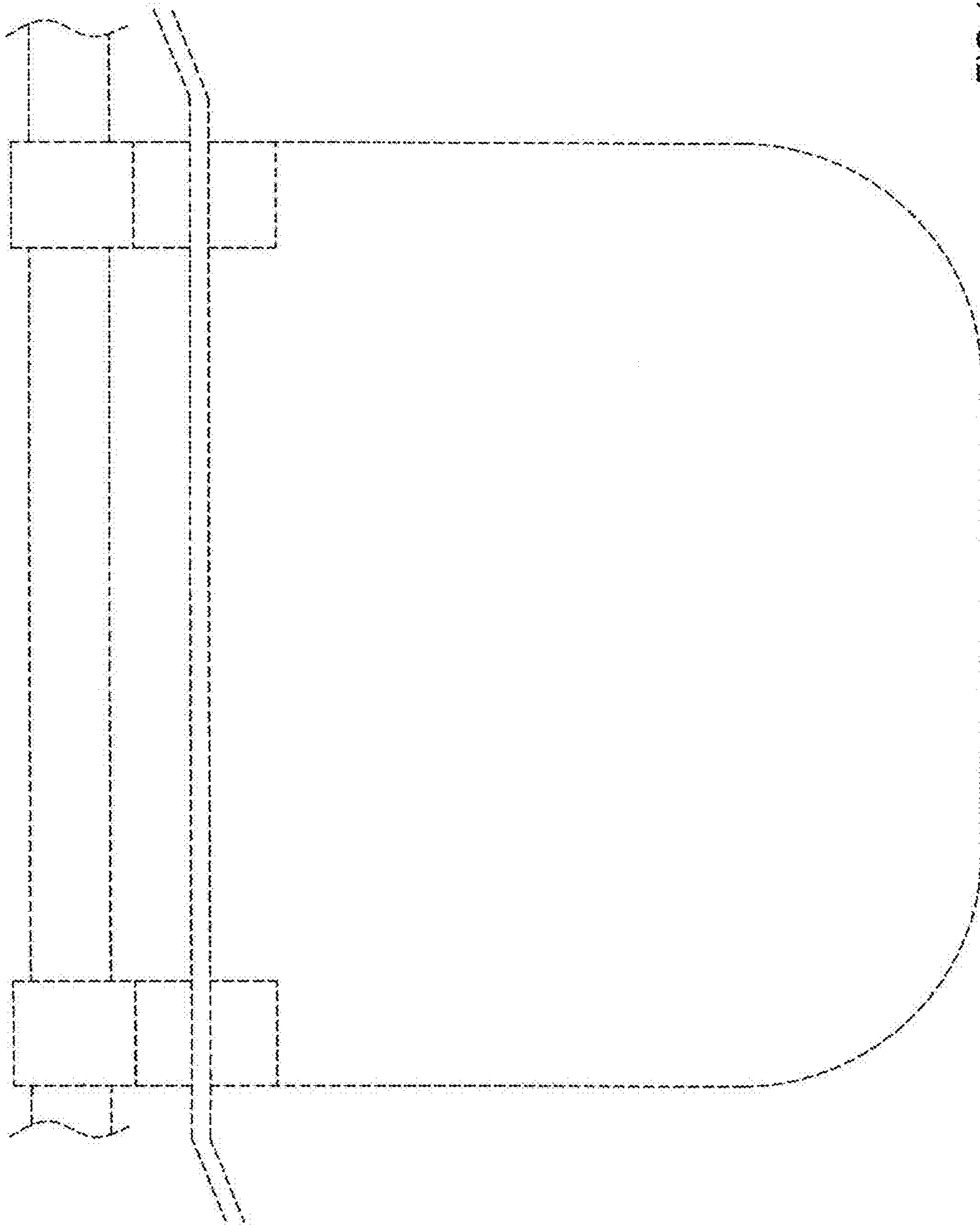


FIG. 4

FIG. 5

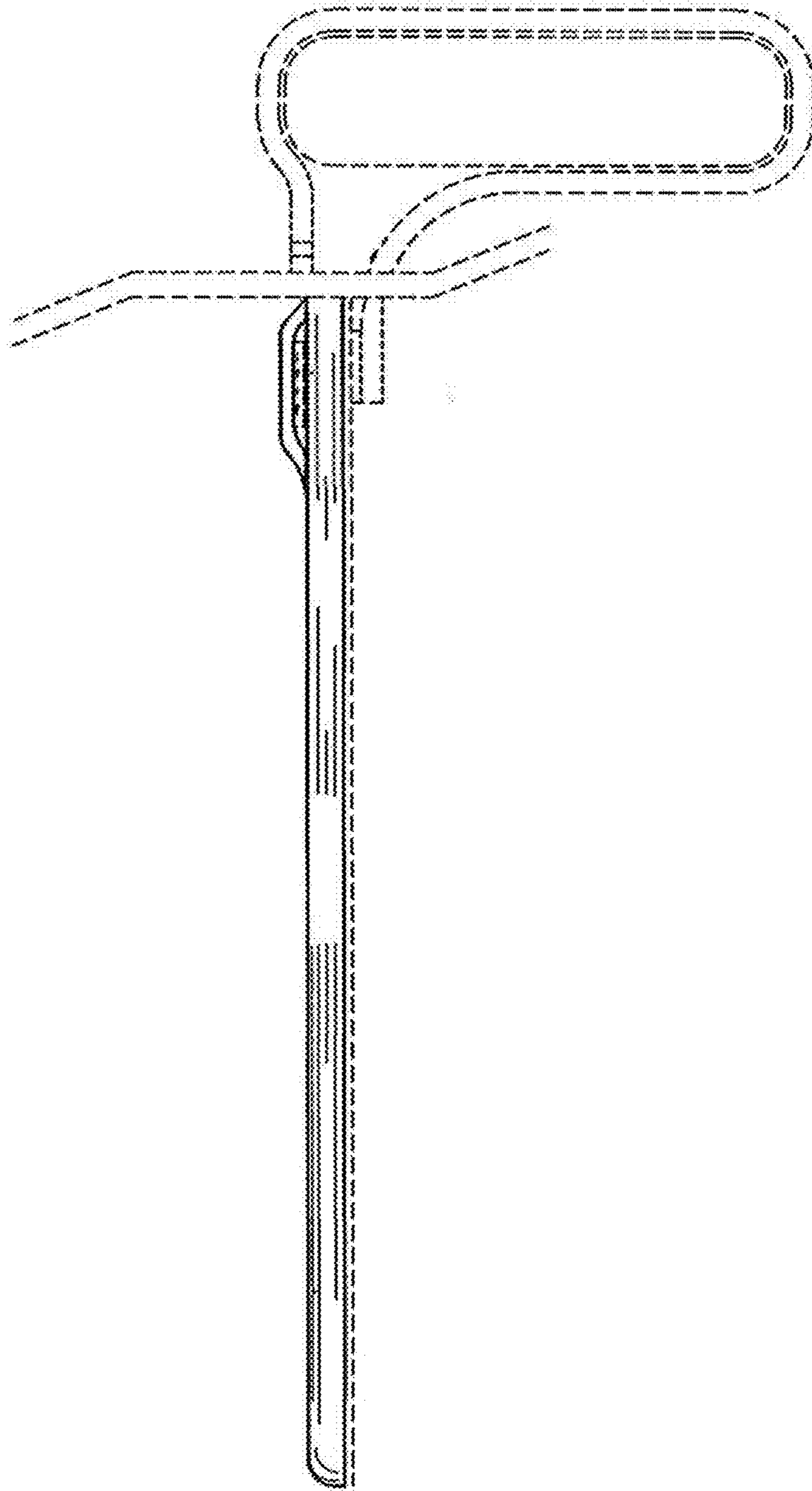


FIG.6

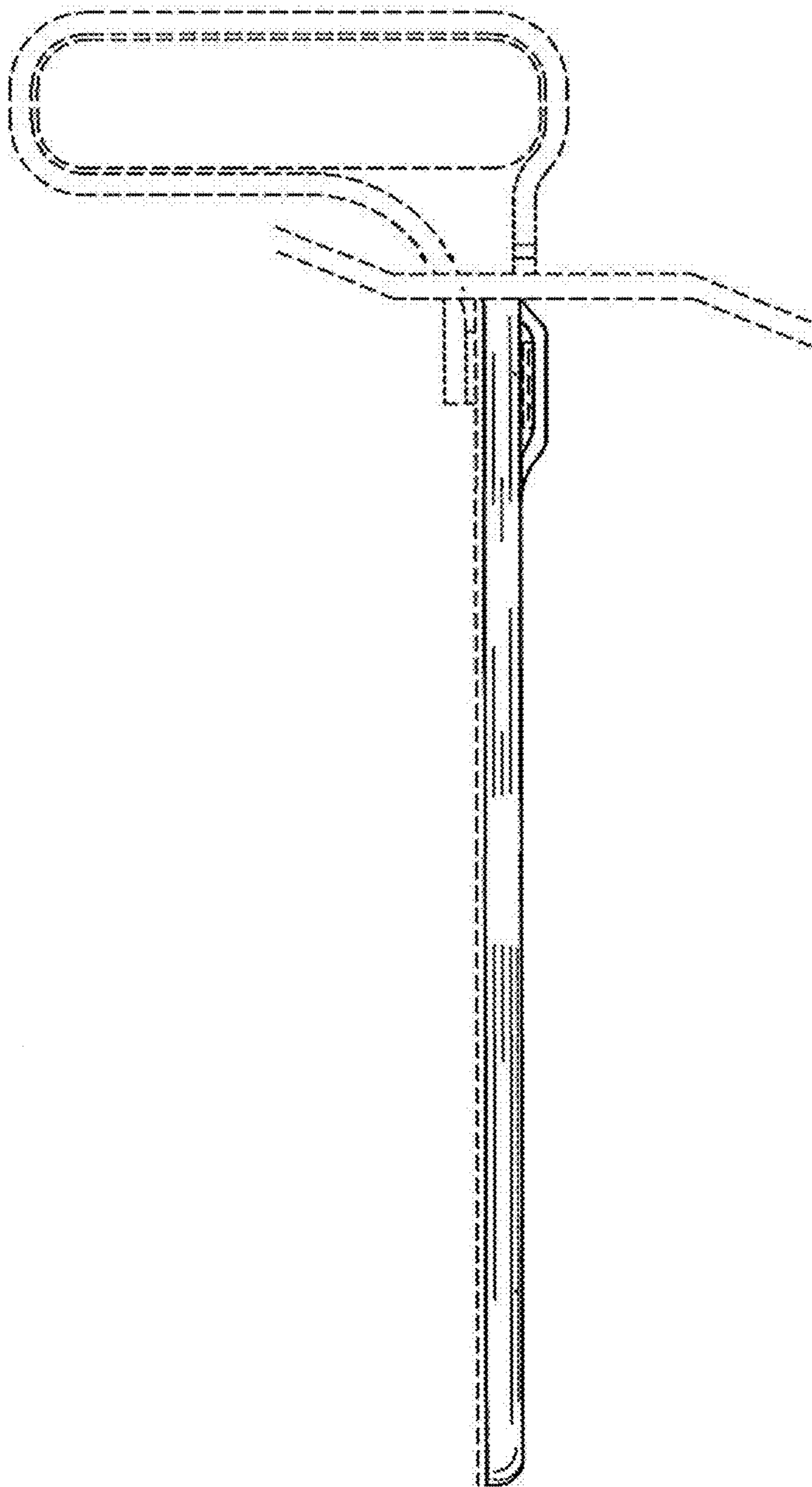


FIG. 7

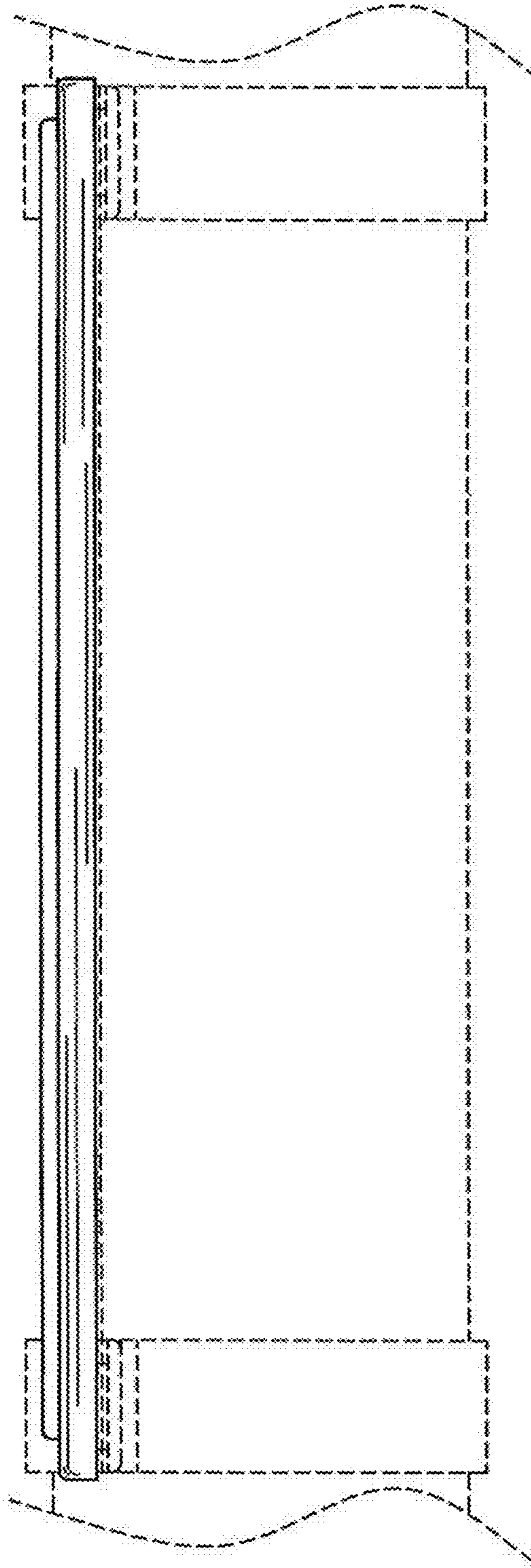


FIG. 8

