



US00D808169S

(12) **United States Design Patent** (10) **Patent No.:** **US D808,169 S**  
**Goldszer** (45) **Date of Patent:** **\*\* \*Jan. 23, 2018**

(54) **PHONE OR ACCESSORY POUCH FOR CHAIR WITH PRIVACY PANEL**  
(71) Applicant: **JGR Copa LLC**, Hollywood, FL (US)  
(72) Inventor: **Jacob Goldszer**, Hollywood, FL (US)  
(73) Assignee: **JGR Copa, LLC**, Hollywood, FL (US)  
(\*) Notice: This patent is subject to a terminal disclaimer.  
(\*\*) Term: **15 Years**

(21) Appl. No.: **29/562,125**  
(22) Filed: **Apr. 22, 2016**  
(51) **LOC (11) Cl.** ..... **03-01**  
(52) **U.S. Cl.**  
USPC ..... **D3/303**  
(58) **Field of Classification Search**  
USPC ..... D3/221, 255, 247, 269, 299, 273, 276,  
D3/289, 293, 290, 301, 303, 318, 319;  
(Continued)

(56) **References Cited**  
U.S. PATENT DOCUMENTS  
D363,603 S \* 10/1995 Leveen ..... D3/303  
5,605,235 A \* 2/1997 Johnson ..... F16M 13/00  
211/26.1  
(Continued)

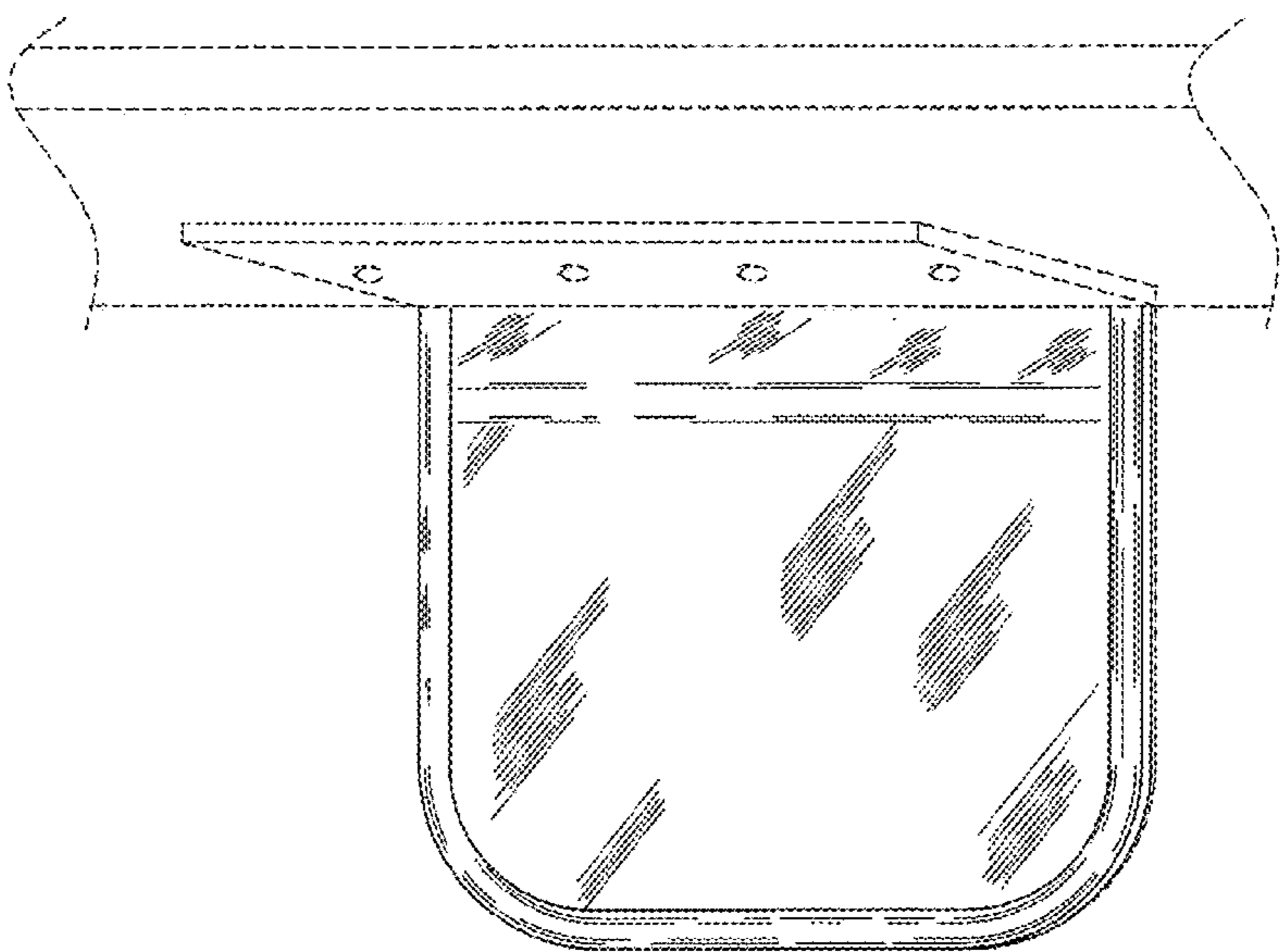
**OTHER PUBLICATIONS**  
Rio SC642C HiBoy Beach Chair Free Shipping, Island Beach Gear, islandbeachgear.com, Code; S2230, MFG Code: SC6421610; accessed: Aug. 2016, <https://www.islandbeachgear.com>.  
(Continued)

*Primary Examiner* — Sandra Snapp  
*Assistant Examiner* — Holly E Thurman

(74) *Attorney, Agent, or Firm* — Robert C. Kain, Jr.  
(57) **CLAIM**  
I claim the ornamental design for a phone or accessory pouch for chair with privacy panel, as shown and described.

**DESCRIPTION**  
FIG. 1 is a perspective view of the phone or accessory pouch for chair with privacy panel in a deployed position from an inboard chair viewpoint.  
FIG. 2 is a left side or inboard view of the phone or accessory pouch for chair with privacy panel with the privacy panel in a deployed position.  
FIG. 3 is a left side view of the phone or accessory pouch for chair with privacy panel with the privacy panel in a partly lifted position, shown in a condition of use with an unclaimed accessory.  
FIG. 4 is a right side or outboard view of the phone or accessory pouch for chair with privacy panel as shown in both FIGS. 2 and 3.  
FIG. 5 is a front elevational view of the phone or accessory pouch for chair with privacy panel with the privacy panel in the deployed position.  
FIG. 6 is a rear elevational view of the phone or accessory pouch for chair with privacy panel with the privacy panel in the deployed position; and,  
FIG. 7 is a bottom view of the phone or accessory pouch for chair with privacy panel with the privacy panel in the deployed position.  
The top view of the phone or accessory pouch for chair with privacy panel is not visible.  
The broken lines immediately adjacent the claimed surfaces represent boundaries of the claimed design. The dash-dot-dash broken lines represent stitching. The dashed broken lines depict unclaimed environmental structures, to include an accessory in FIG. 3. All broken lines form no part of the claimed design.

**1 Claim, 7 Drawing Sheets**



# US D808,169 S

Page 2

(58) **Field of Classification Search**

USPC ..... D9/702, 703, 705, 707, 709, 710, 433,  
D9/901; D14/250; D19/3  
CPC ..... A47C 7/62; A47C 1/14  
See application file for complete search history.

(56) **References Cited**

U.S. PATENT DOCUMENTS

D482,195 S \* 11/2003 Hansen ..... D3/227  
D483,213 S \* 12/2003 Hassett ..... D6/407  
D484,689 S \* 1/2004 Hansen ..... D3/227  
D522,750 S \* 6/2006 Girod ..... D3/303  
D543,032 S \* 5/2007 Owenby ..... D3/303  
D546,705 S \* 7/2007 Suzuki ..... D9/415  
D601,799 S \* 10/2009 Andre ..... D3/303  
D636,997 S \* 5/2011 DeVoe ..... D12/133  
D694,009 S \* 11/2013 D'Amore ..... D3/249

D709,700 S \* 7/2014 Nunez ..... D3/303  
D717,545 S \* 11/2014 Chuang ..... D3/318  
D718,935 S \* 12/2014 Hyzdu ..... D3/303  
D728,937 S \* 5/2015 Fridley ..... D3/303  
D741,598 S \* 10/2015 Calero ..... D3/303  
D744,236 S \* 12/2015 Turksu ..... D3/300  
D753,398 S \* 4/2016 Arami ..... D3/299  
D764,800 S \* 8/2016 Juniper ..... D3/303  
D771,943 S \* 11/2016 Milstead ..... D3/303  
2013/0328362 A1 \* 12/2013 Miller ..... A47C 7/62  
297/188.2

OTHER PUBLICATIONS

Rio SC642C HiBoy Beach Chair Free Shipping, Island Beach Gear,  
islandbeachgear.com, Code: S2236, MFG Code: SC6421610, Mar.  
1, 2016, <https://www.islandbeachgear.com>.

\* cited by examiner

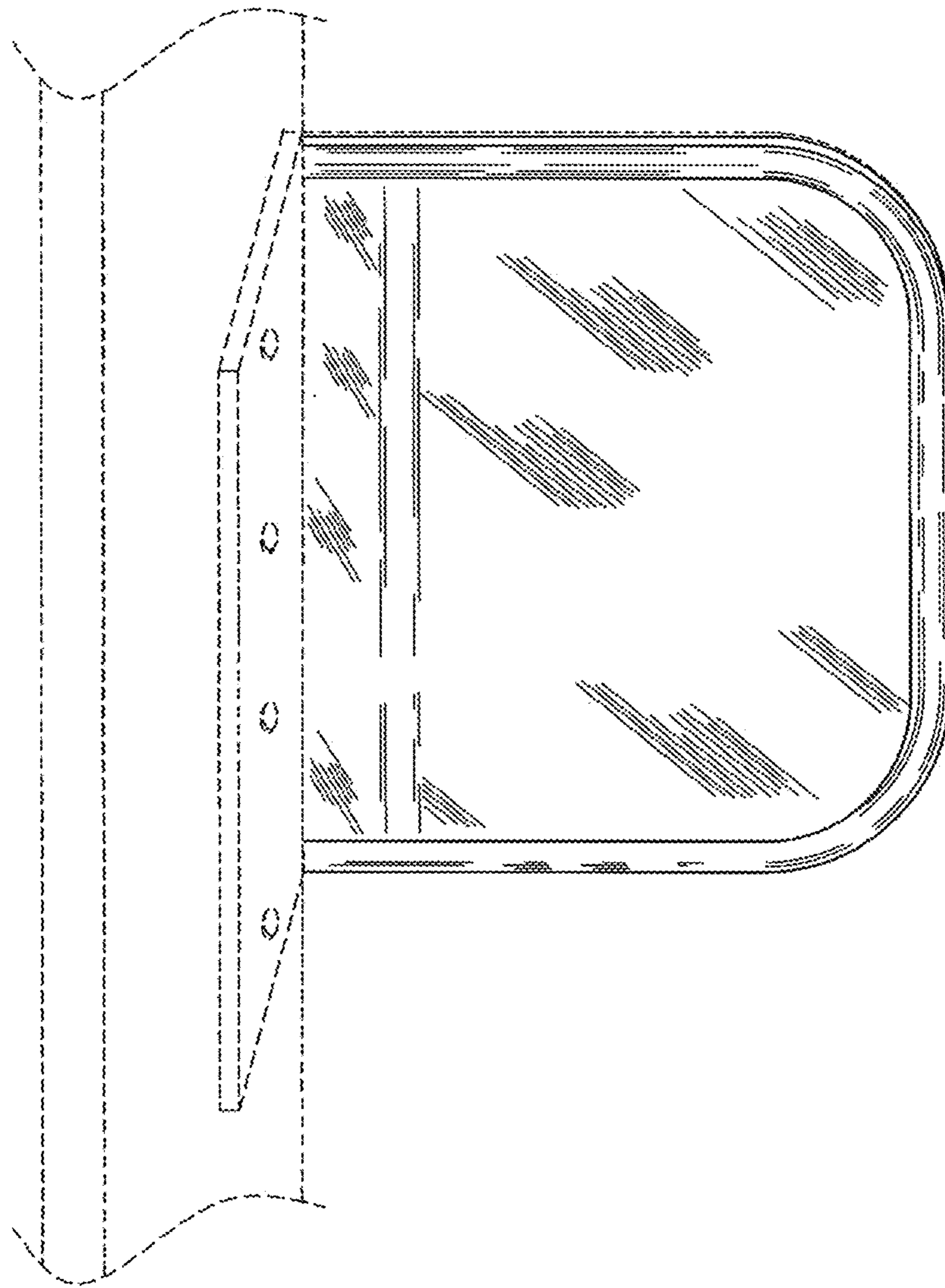


FIG. 1

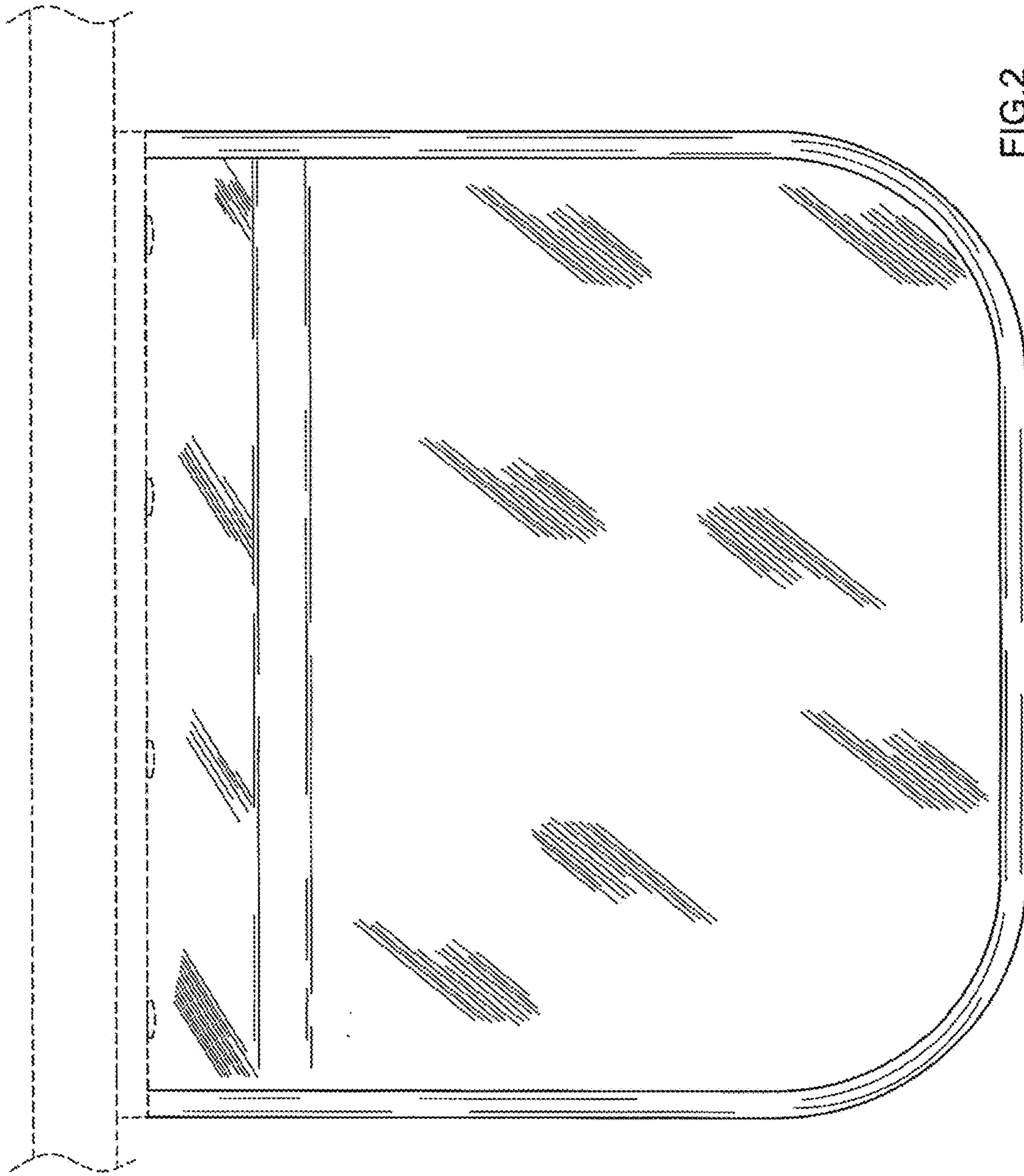


FIG. 2

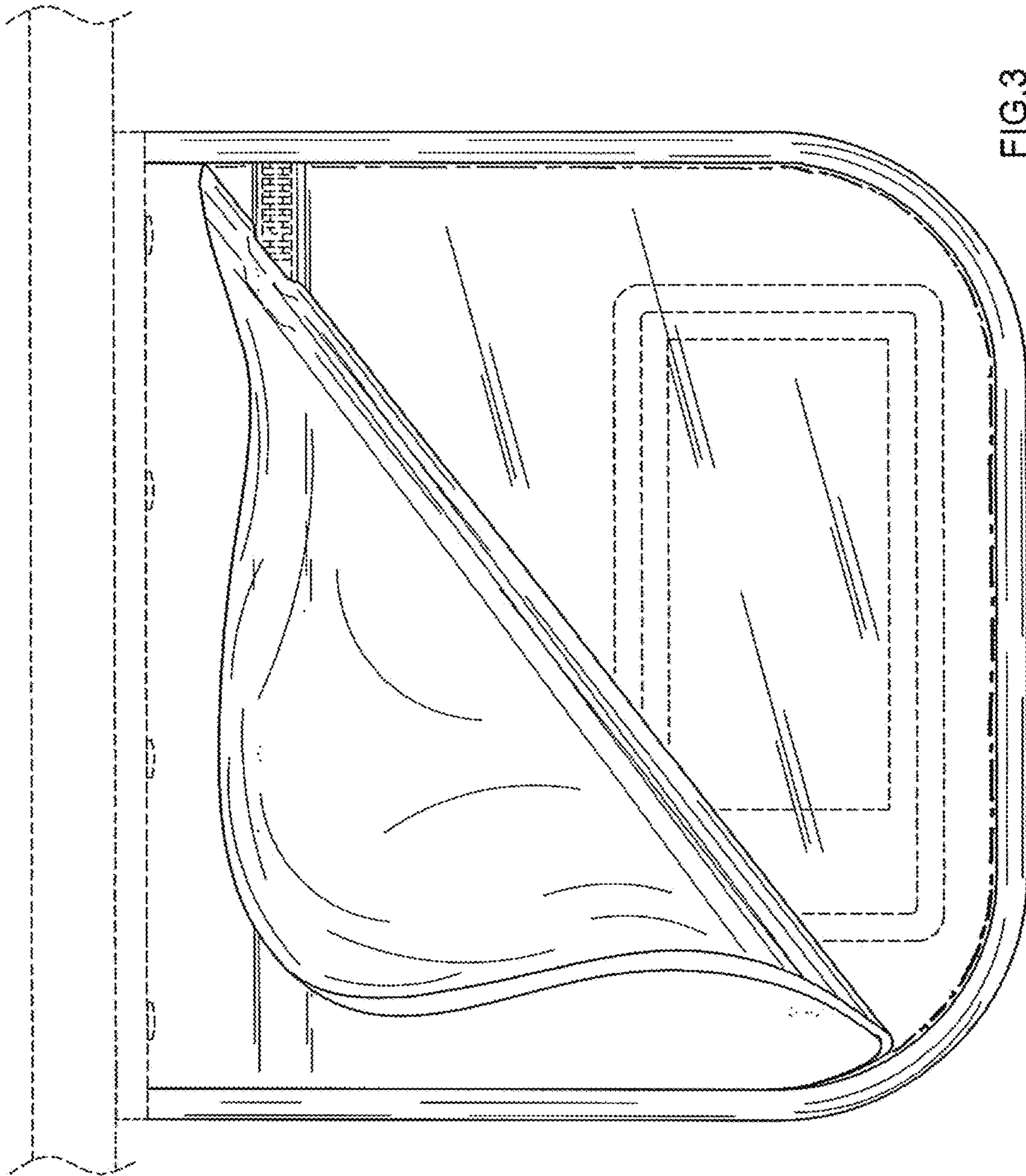


FIG.3

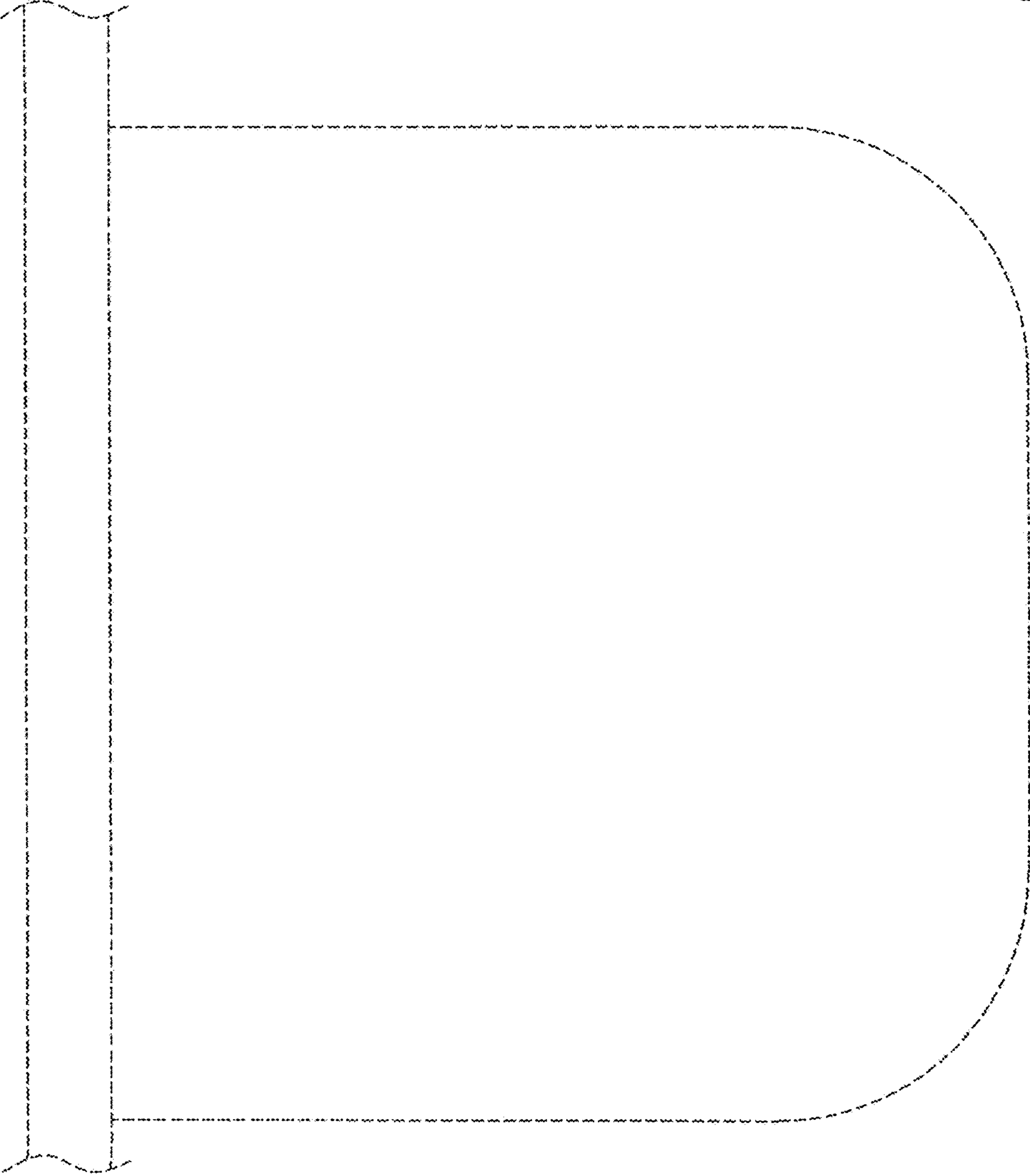


FIG.4

FIG.5

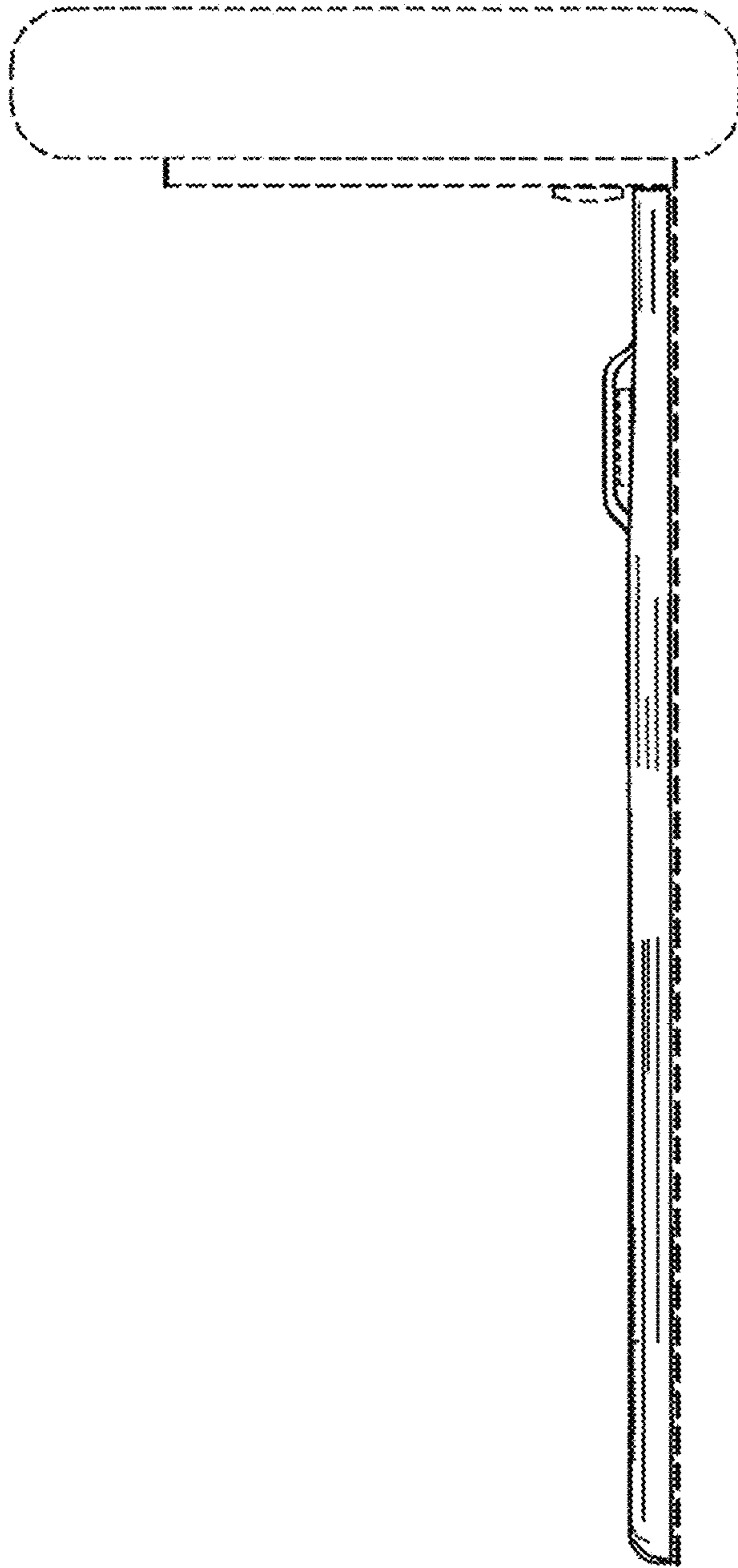
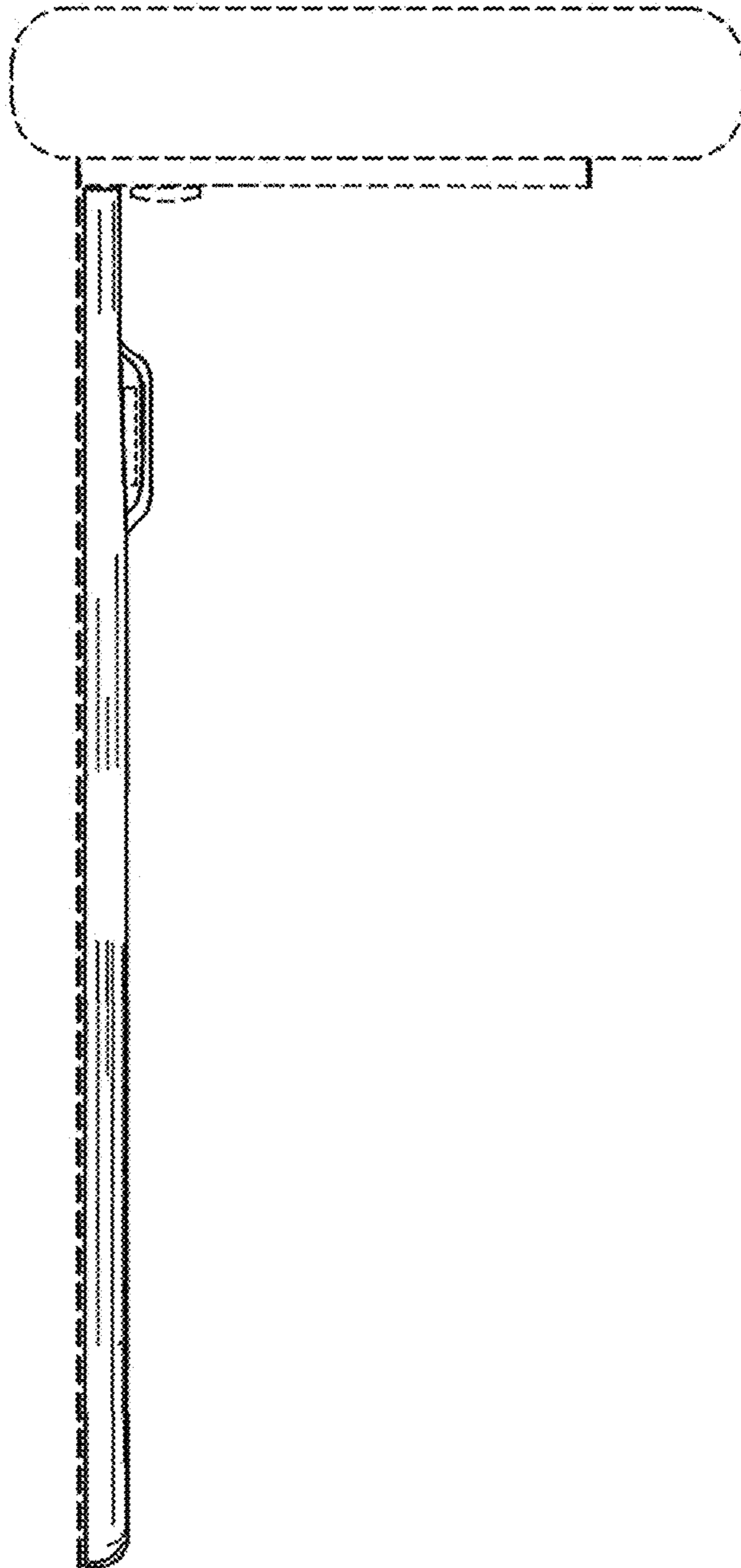


FIG.6





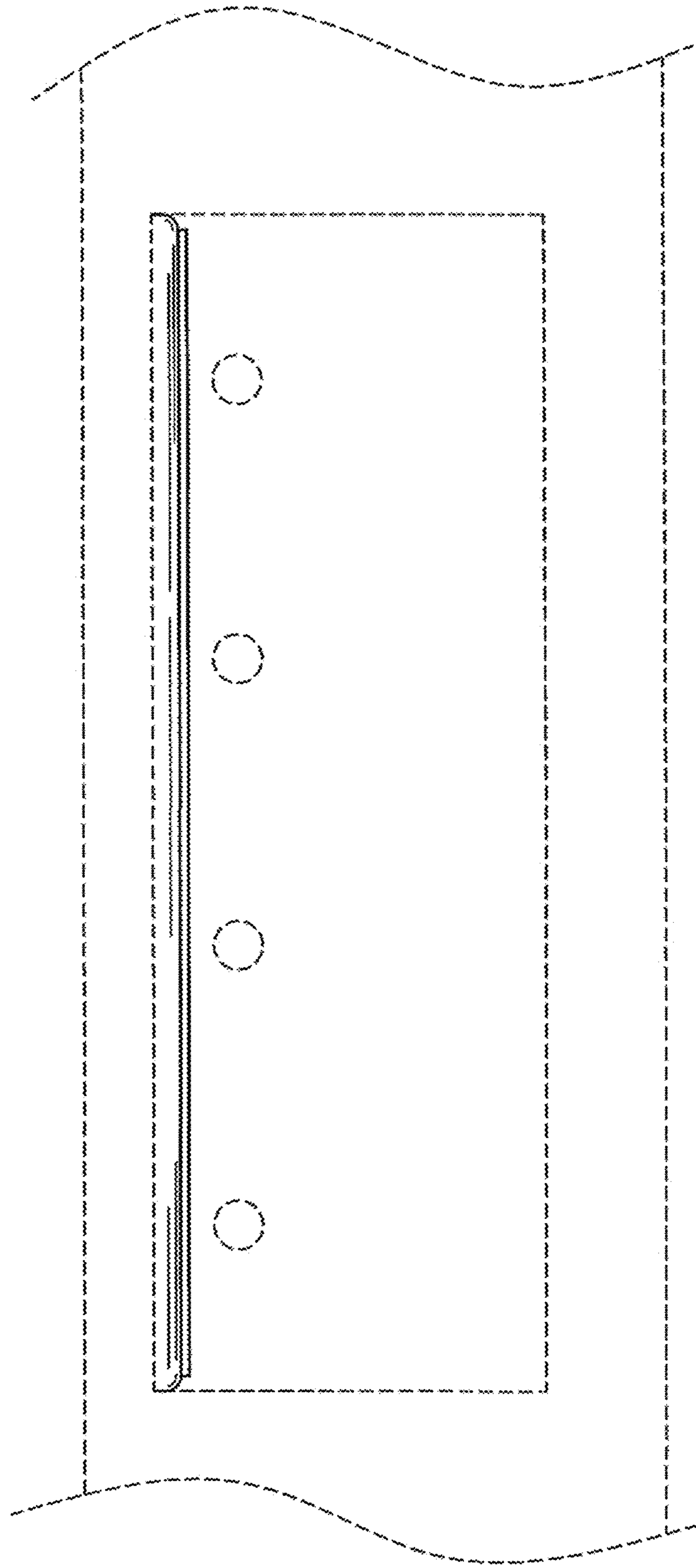


FIG.7