



US00D808168S

(12) **United States Design Patent**
Turczynskyj

(10) **Patent No.:** **US D808,168 S**
(45) **Date of Patent:** **** Jan. 23, 2018**

(54) **VIDEO GAME CASE**

(71) Applicant: **Stephen Turczynskyj**, Artesia, CA (US)

(72) Inventor: **Stephen Turczynskyj**, Artesia, CA (US)

(**) Term: **15 Years**

(21) Appl. No.: **29/534,954**

(22) Filed: **Aug. 3, 2015**

(51) **LOC (11) Cl.** **03-01**

(52) **U.S. Cl.**
USPC **D3/301**

(58) **Field of Classification Search**
USPC D3/201, 205, 242, 273, 274, 275, 276,
D3/279, 281, 282, 284, 292, 294, 295,
D3/296, 297, 299, 301, 302, 901, 903,
D3/905; D9/414

CPC A45C 5/04; A45C 11/00; A45C 11/16
See application file for complete search history.

(56) **References Cited**

U.S. PATENT DOCUMENTS

| | | | | |
|--------------|---------|---------------|-------|--------|
| D560,361 S * | 1/2008 | Huang | | D3/301 |
| D601,204 S | 9/2009 | DeOreo et al. | | |
| D605,145 S | 12/2009 | Kellar | | |
| D605,706 S | 12/2009 | DeOreo et al. | | |
| D632,079 S * | 2/2011 | Spencer | | D3/301 |
| D645,251 S * | 9/2011 | Lee | | D3/301 |
| D655,084 S * | 3/2012 | Shor | | D3/276 |
| D659,998 S * | 5/2012 | Austin | | D3/301 |
| D695,523 S * | 12/2013 | Lynch | | D3/301 |
| D703,953 S * | 5/2014 | Jusic | | D3/294 |
| D707,963 S * | 7/2014 | Szewczyk | | D3/232 |
| D712,144 S * | 9/2014 | Albanese | | D3/301 |
| D723,804 S * | 3/2015 | Coleman | | D3/301 |
| D739,142 S * | 9/2015 | Coleman | | D3/285 |
| D739,655 S * | 9/2015 | Coleman | | D3/285 |
| D748,915 S * | 2/2016 | Reyes | | D3/301 |

OTHER PUBLICATIONS

“Nintendo Switch Starter Kit—including Travel Carrying Case”, by Insten, Found Online [Mar. 21, 2016] <http://i.ebayimg.com/images/i/370712507407-0-1/s-11000.jpg>.

“EVA Waterproof Hard Shield Protective Carrying Case”, by ADVcer, Found Online [Mar. 21, 2016] http://g04.s.alicdn.com/kf/HTB1a2iYKVXXXXXXfXXXXq6xXFXXh/handheld-video-game-accessories-EVA-Bag-EVA.jpg_350x350.jpg.

(Continued)

Primary Examiner — Sandra Snapp

Assistant Examiner — Holly E Thurman

(74) *Attorney, Agent, or Firm* — Raj Abhyanker, P.C.

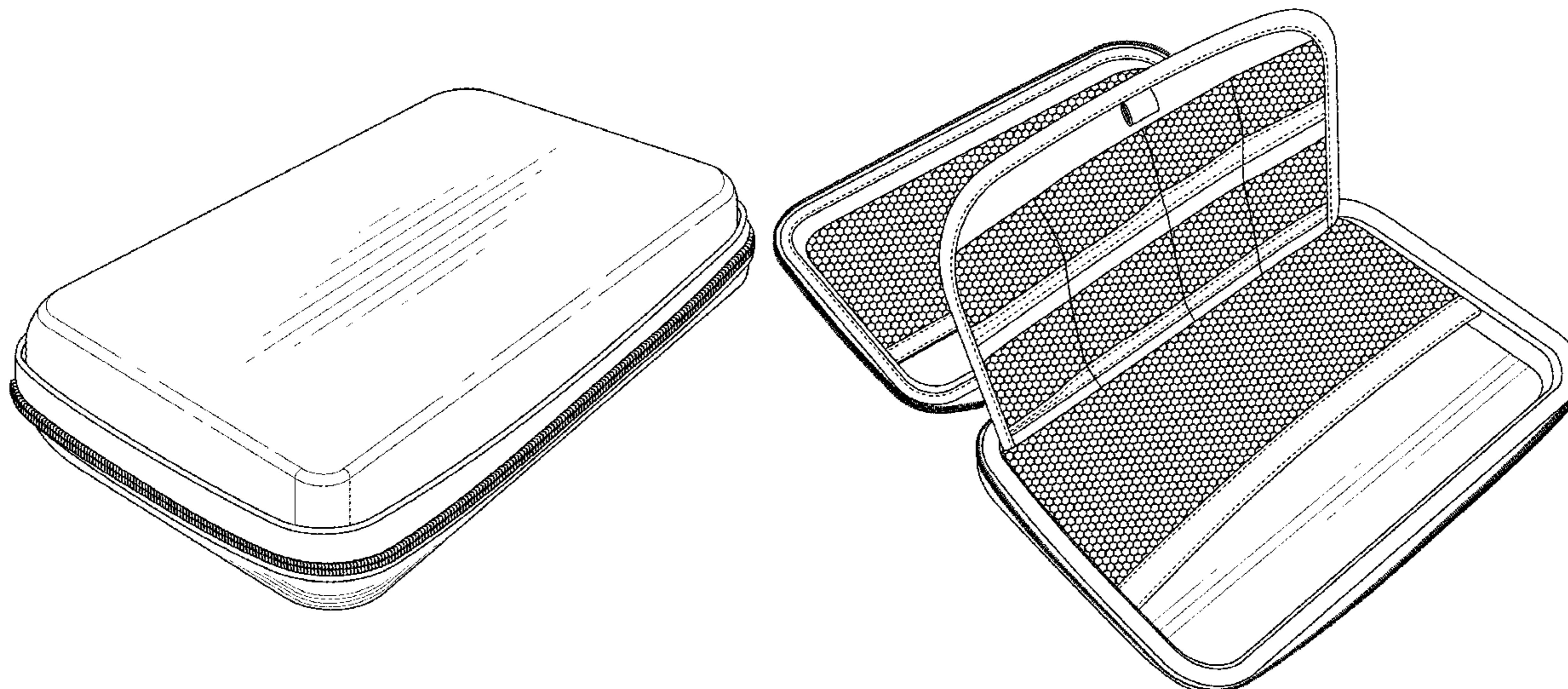
(57) **CLAIM**

The ornamental design for a video game case, as shown and described.

DESCRIPTION

FIG. 1 is a perspective view of a video game case showing my new design in a closed position; FIG. 2 is a top view thereof; FIG. 3 is a bottom view thereof; FIG. 4 is a front view thereof; FIG. 5 is a rear view thereof; FIG. 6 is a left view thereof; FIG. 7 is a right view thereof; FIG. 8 is a perspective view of FIG. 1 shown in an open position; FIG. 9 is a top view thereof; FIG. 10 is a bottom view thereof; FIG. 11 is a rear view thereof; FIG. 12 is a front view thereof; FIG. 13 is a left side view thereof; and, FIG. 14 is a right side view thereof. The broken lines indicate unclaimed portions of the design and form no part of the claimed design.

1 Claim, 11 Drawing Sheets



(56)

References Cited

OTHER PUBLICATIONS

“Custom hard case bag for psp console video game accessories”, by Yotosan, Found Online [Mar. 21, 2016] <http://img.weiku.com/waterpicture/2011/11/11/0/>

Custom_hard_case_bag_for_psp_console_video_game_accessories__634658432148746413_1.jpg

U.S. Trademark Registration No. 4854909; Mark—Technoskin
Filing Date: Apr. 1, 2015 Publication date: Sep. 1, 2015.

* cited by examiner

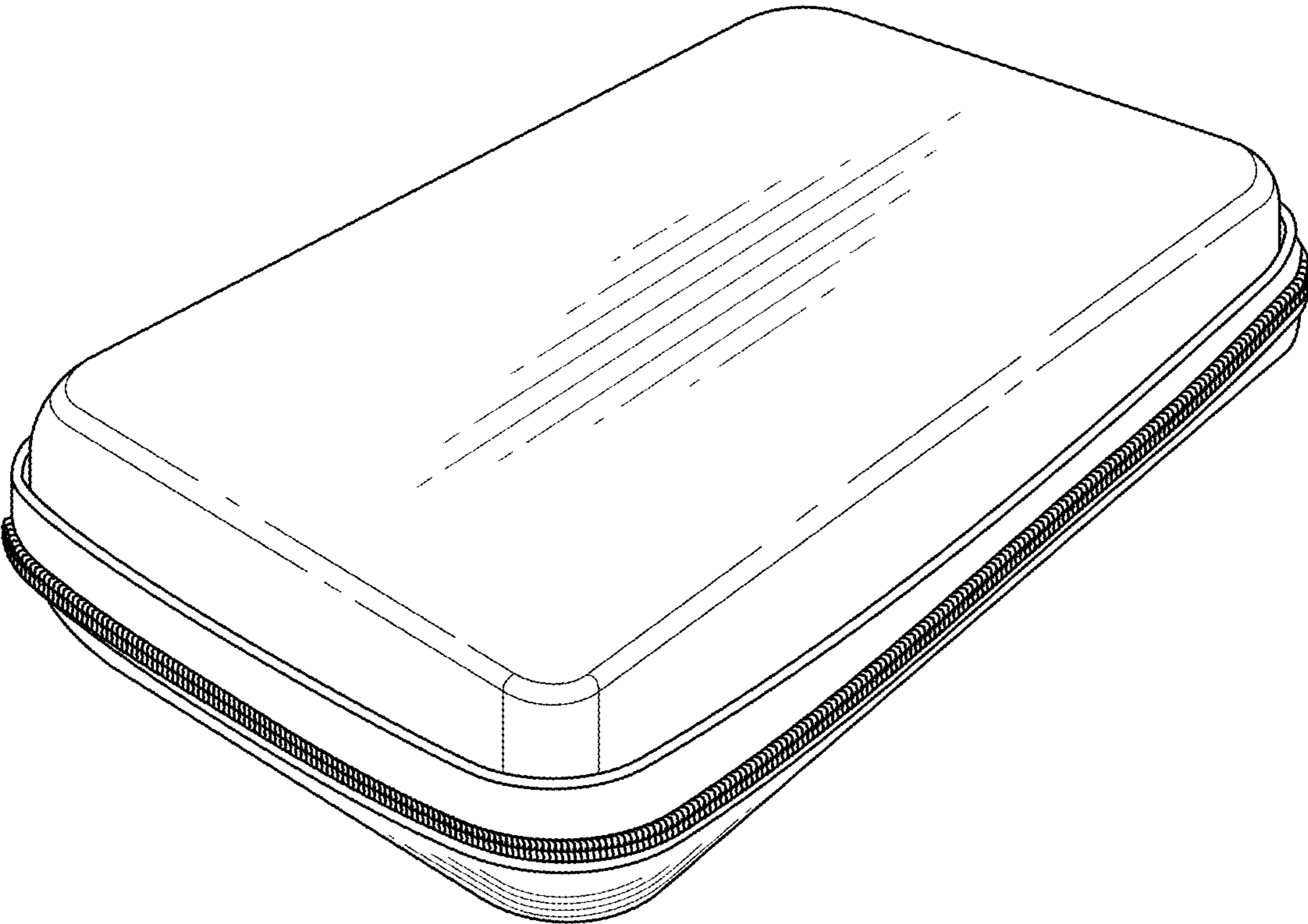


FIG. 1

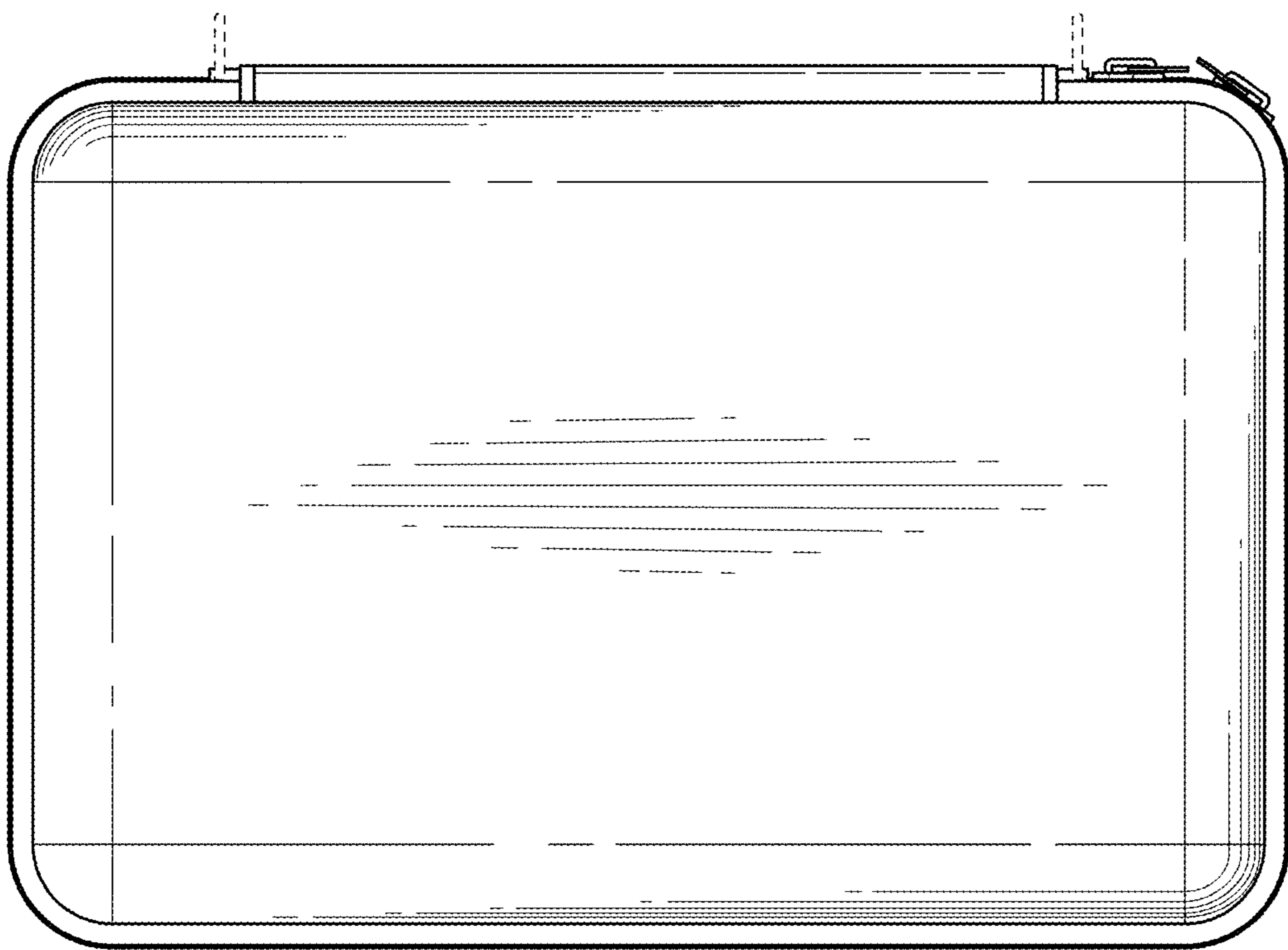


FIG. 2

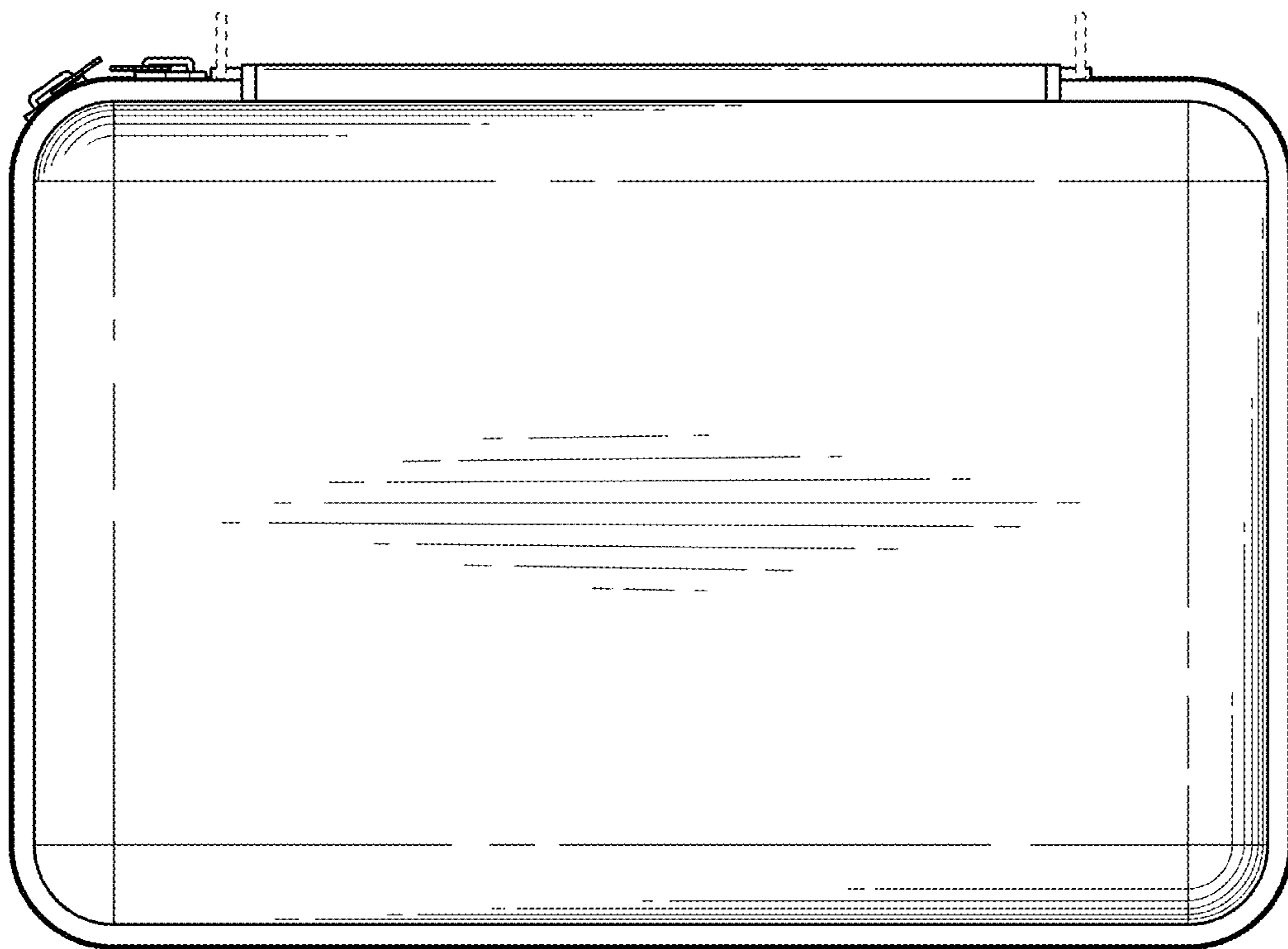


FIG. 3

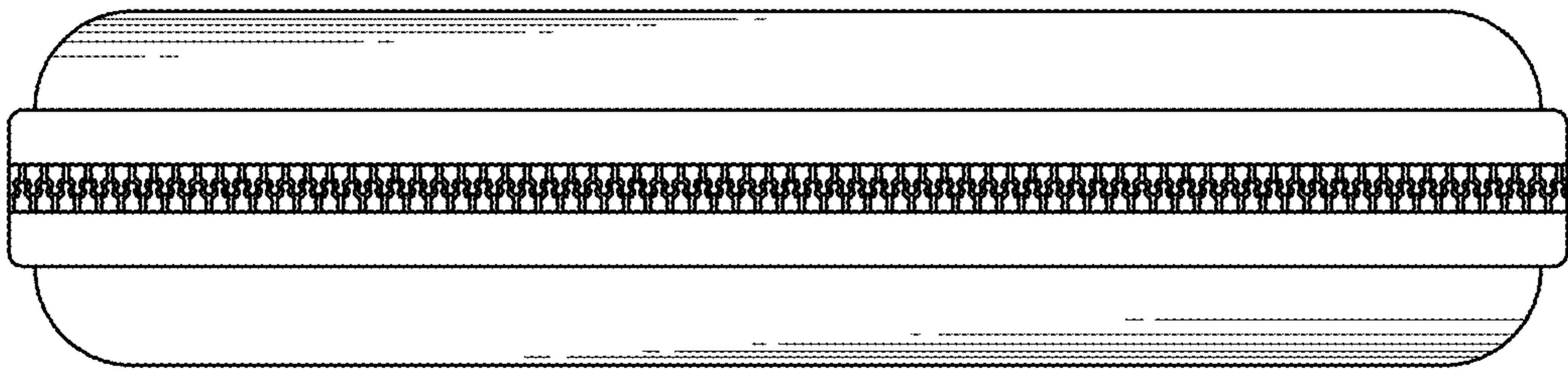


FIG. 4

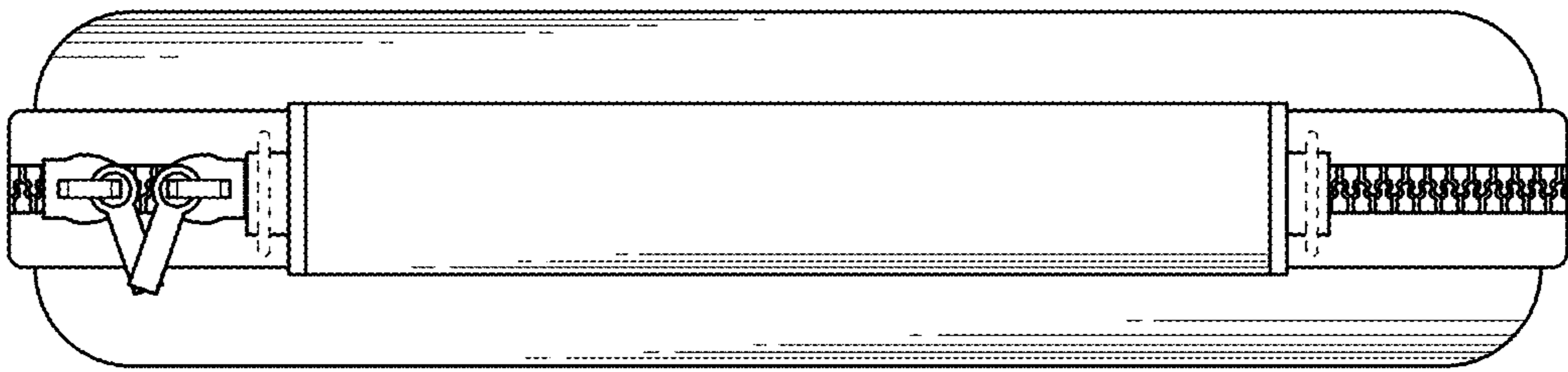


FIG. 5

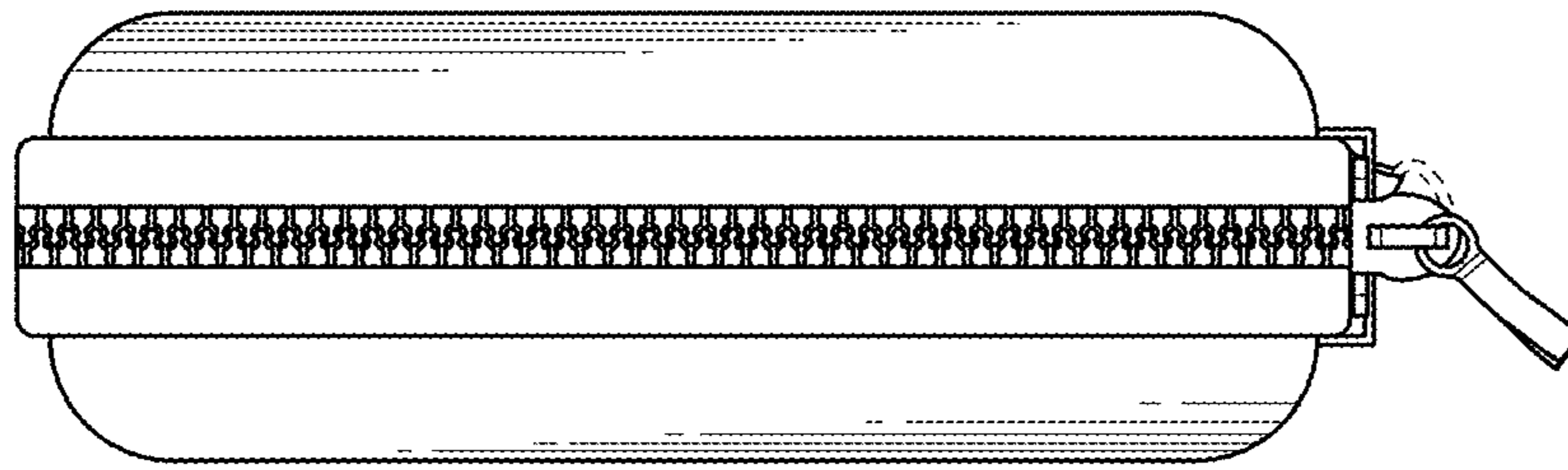


FIG. 6

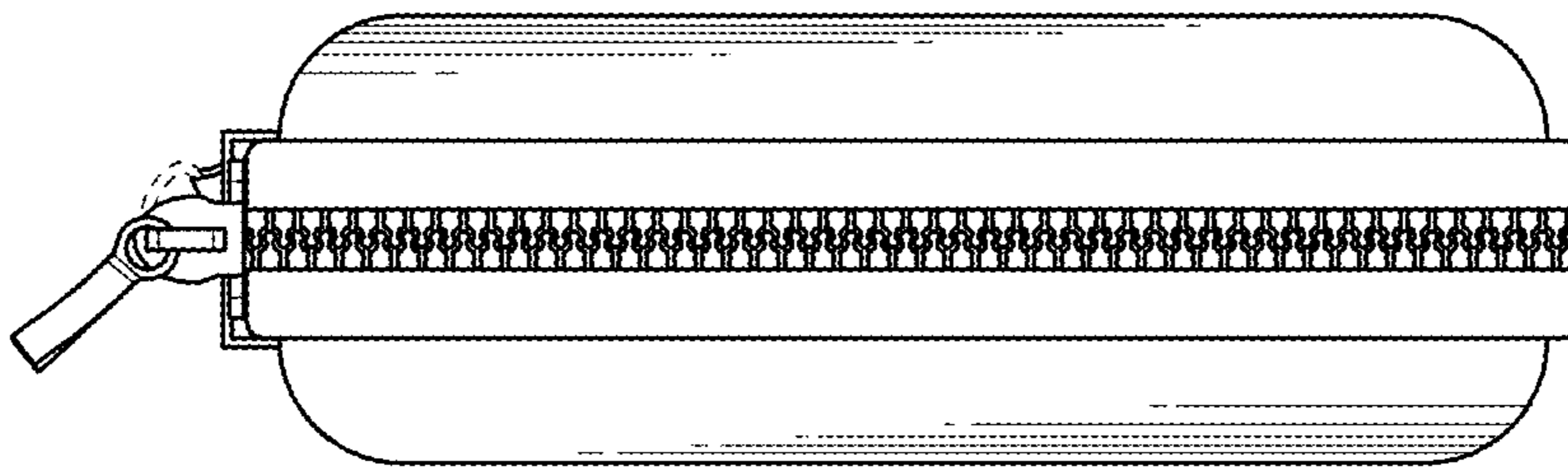


FIG. 7

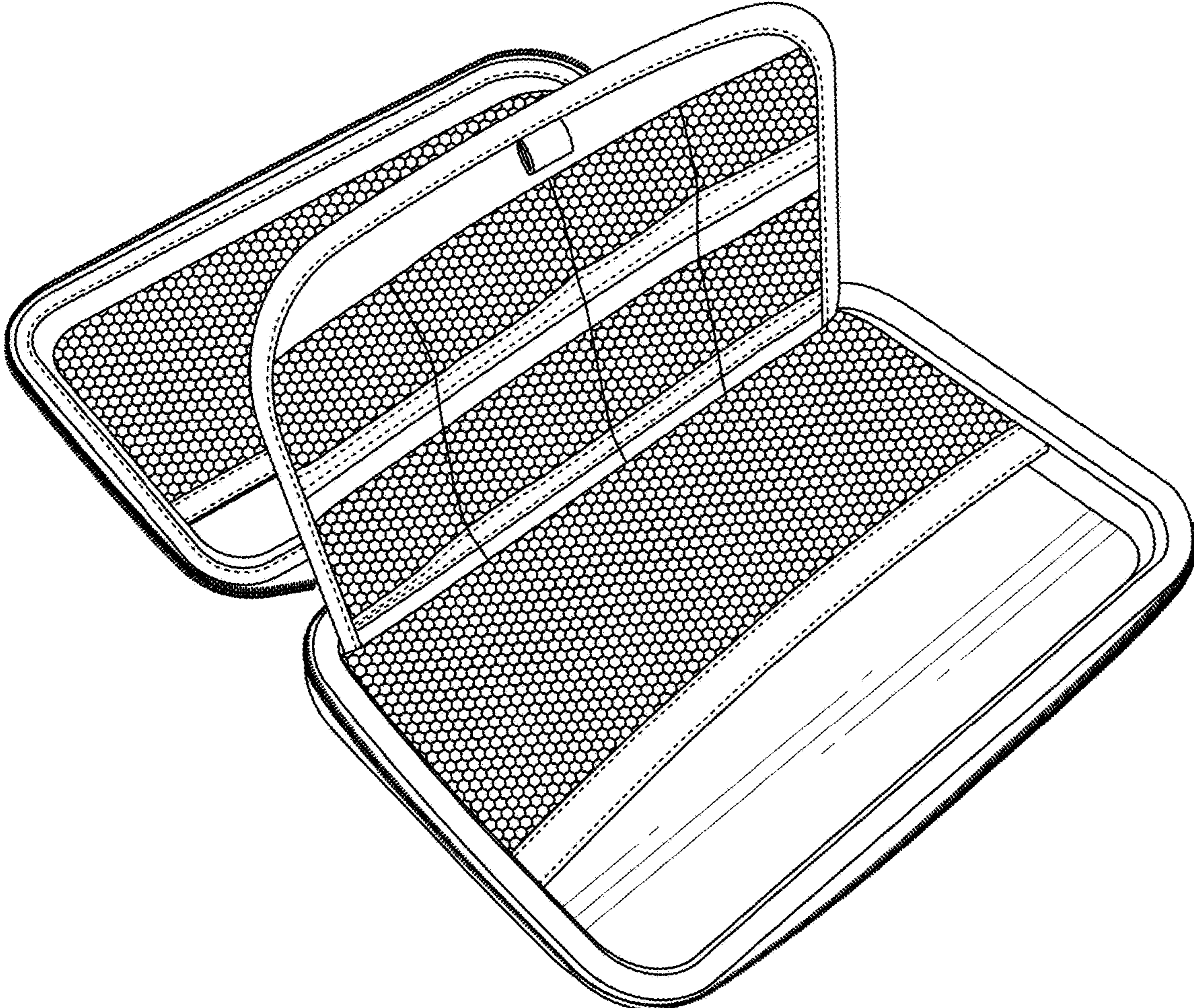


FIG. 8

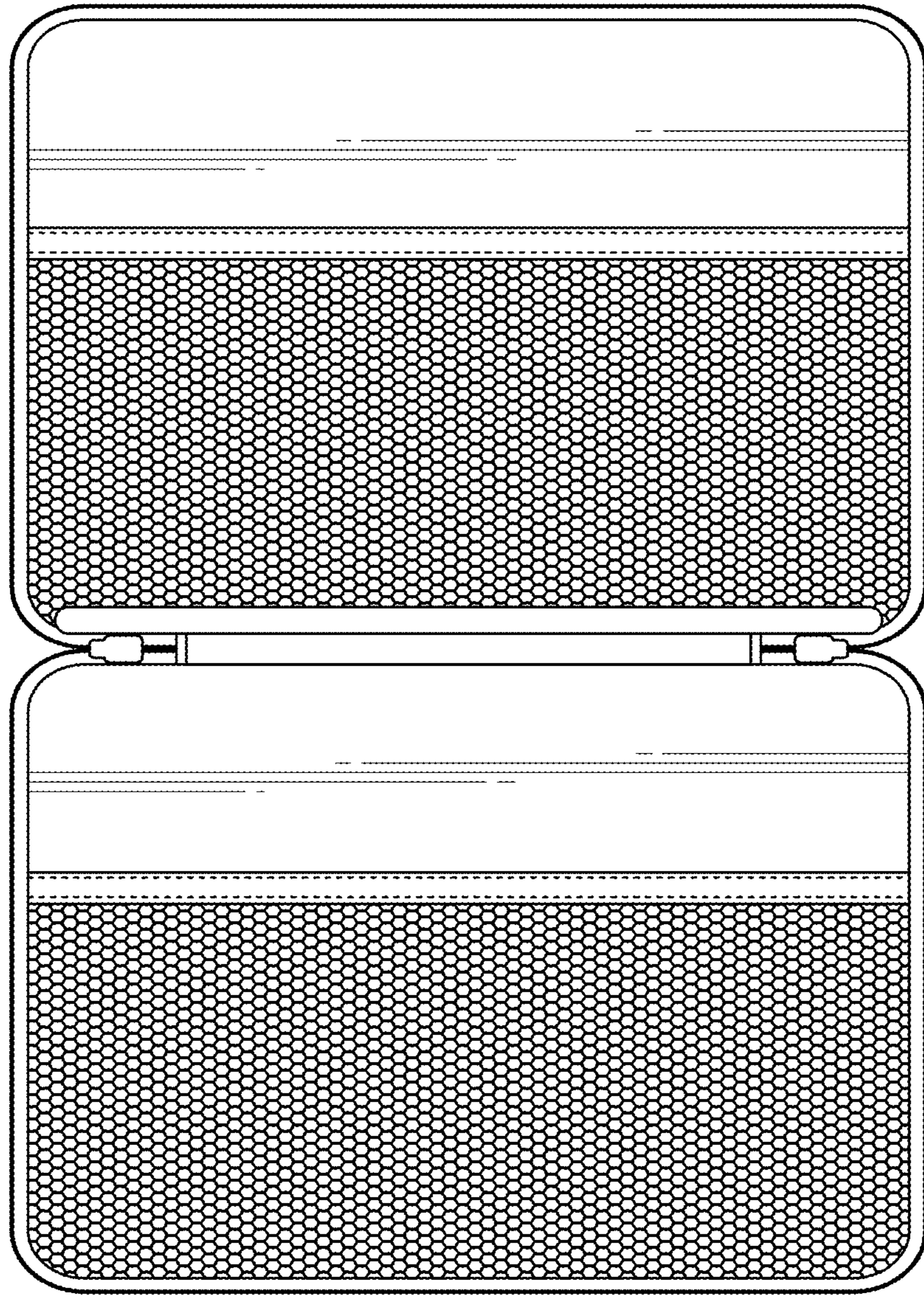


FIG. 9

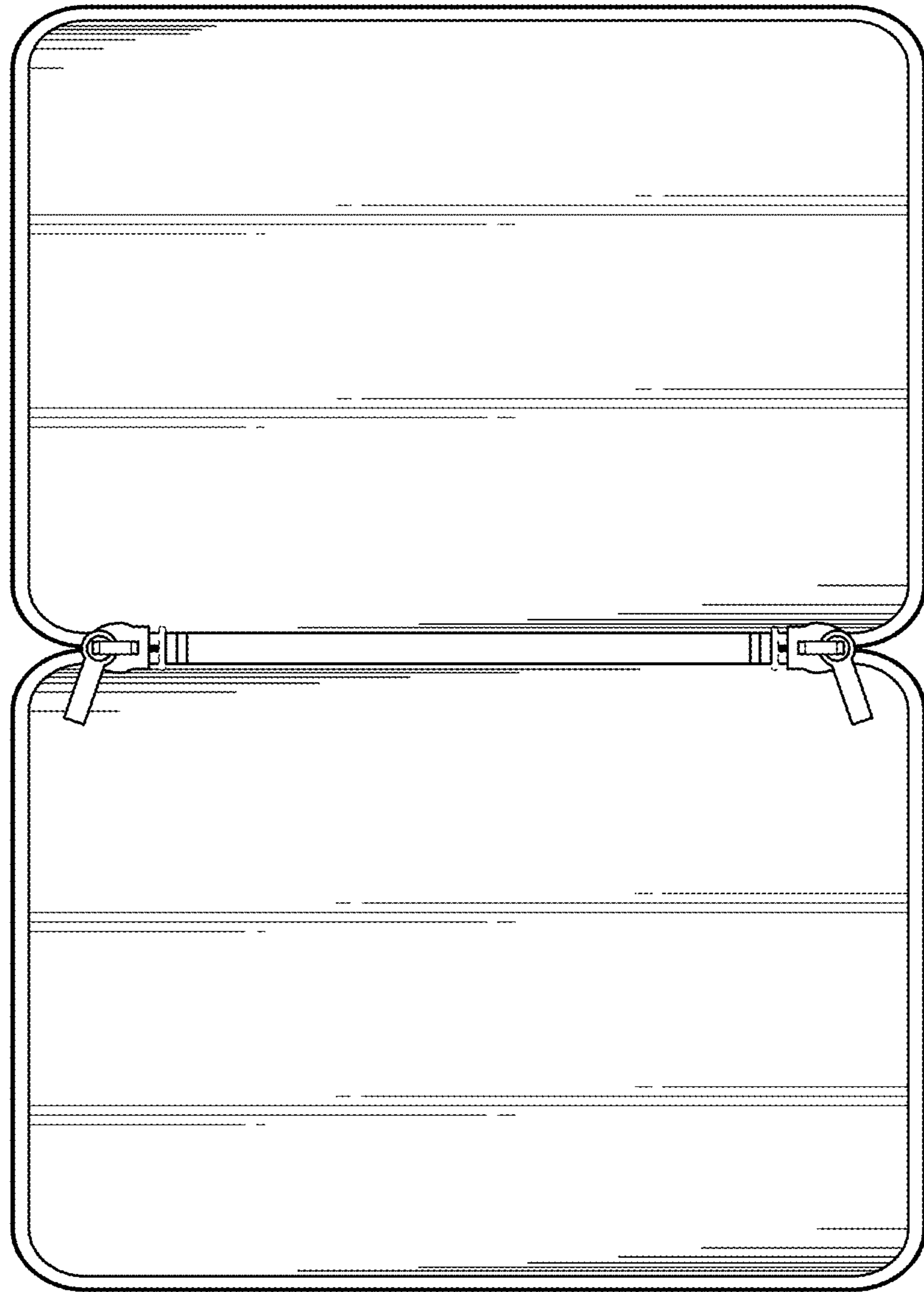


FIG. 10

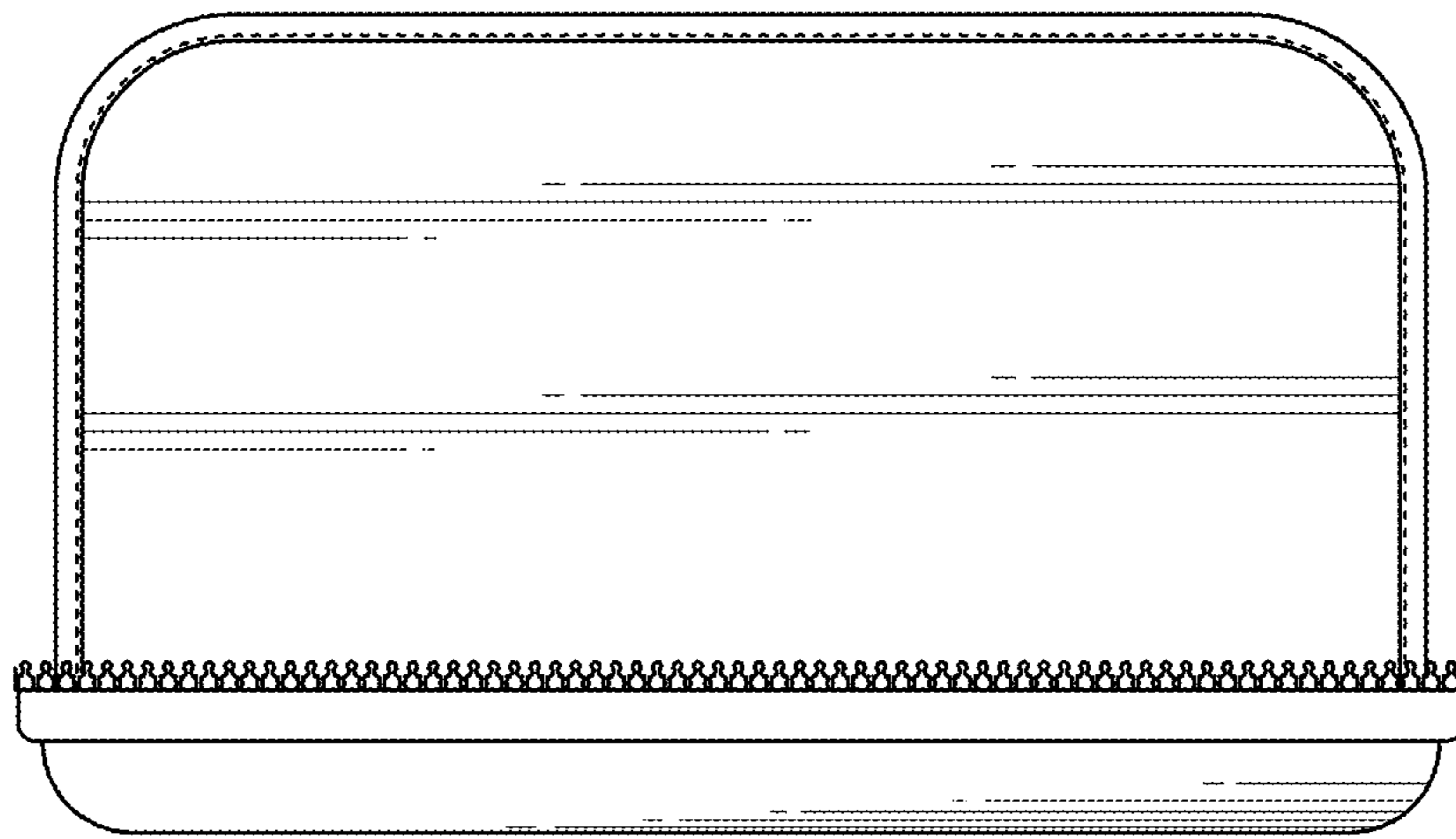


FIG. 11

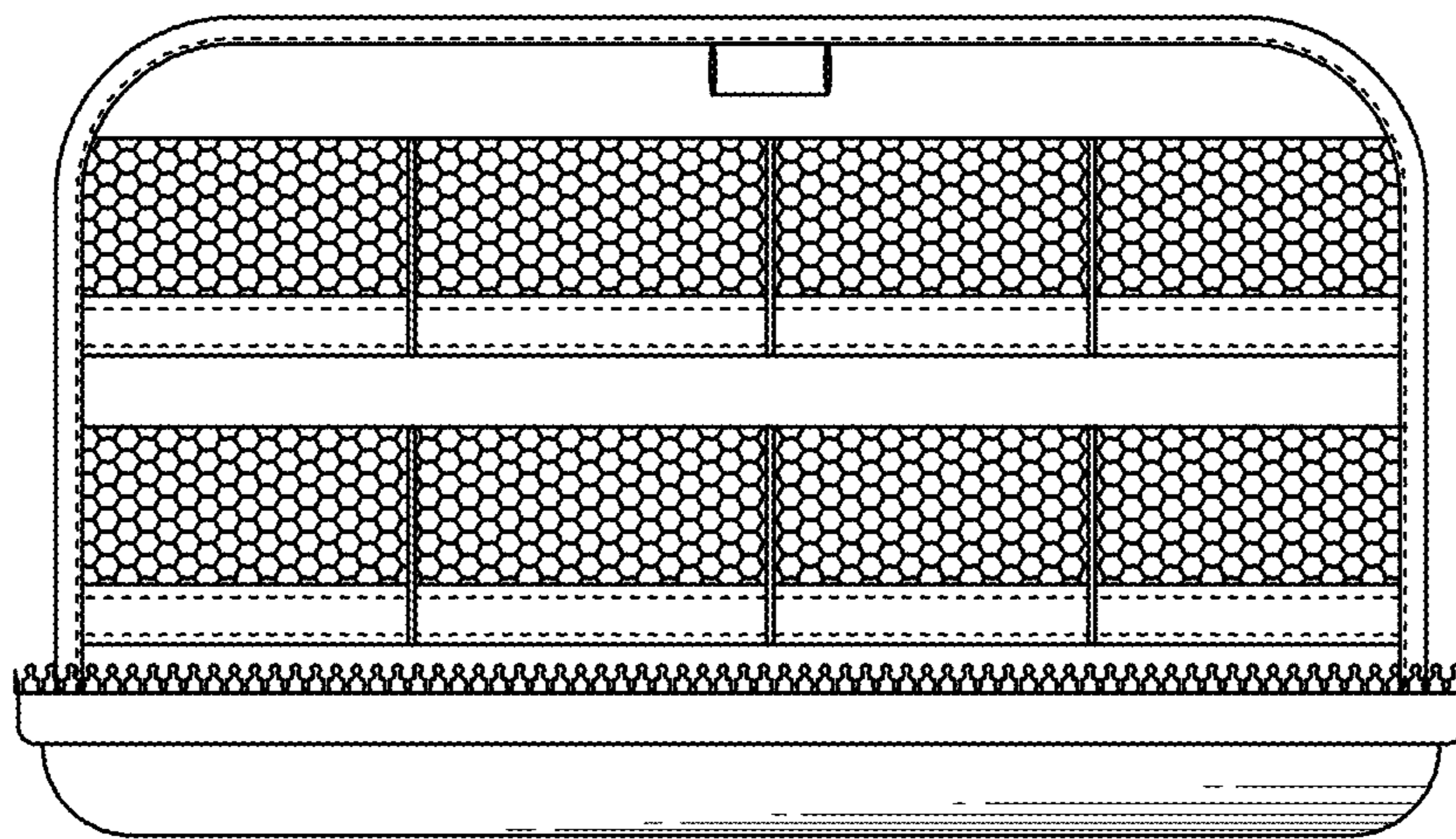


FIG. 12

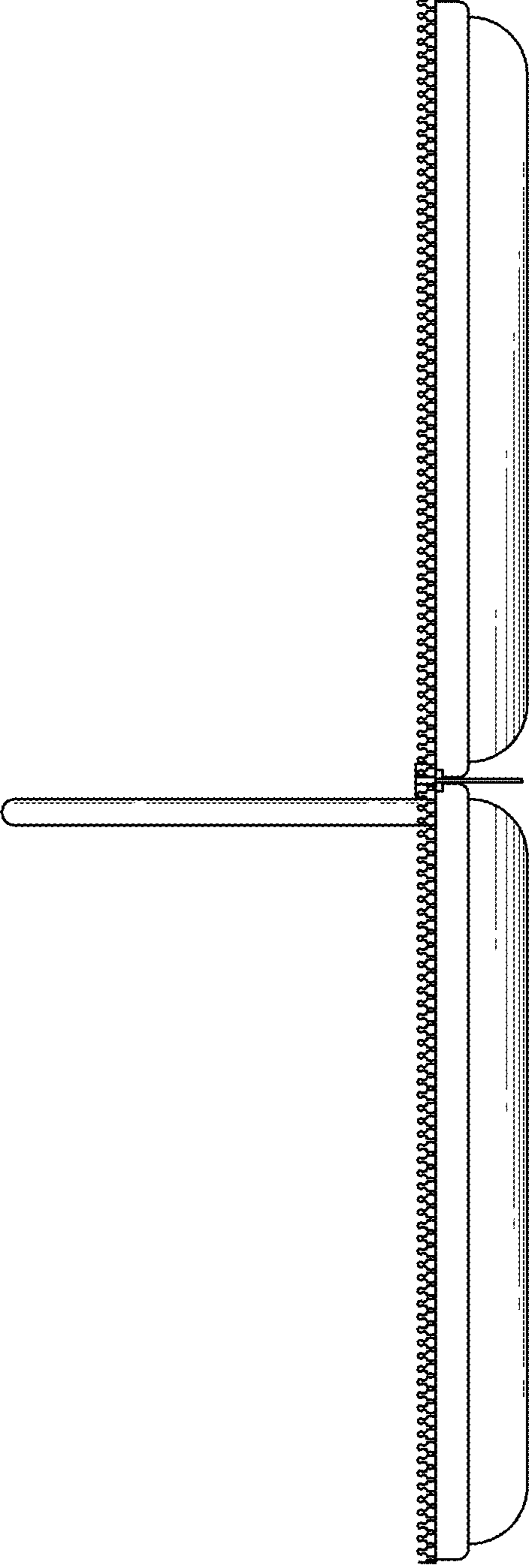


FIG. 13

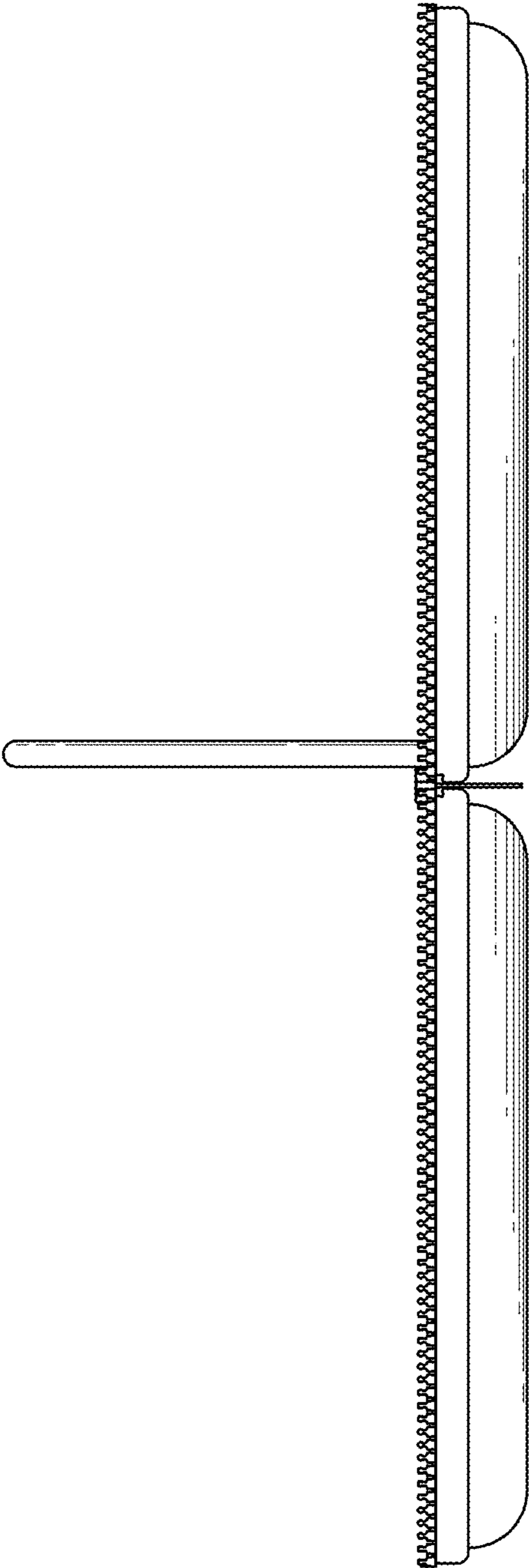


FIG. 14