



US00D808167S

(12) **United States Design Patent** (10) **Patent No.:** **US D808,167 S**
Holt et al. (45) **Date of Patent:** **** Jan. 23, 2018**

(54) **COMBINED TRANSACTION PRODUCT AND CARRIER SLEEVE**

D675,109 S 1/2013 Stahl et al.
D694,007 S * 11/2013 D'Amore D3/247
8,701,987 B2 4/2014 Albers et al.

(Continued)

(71) Applicant: **TARGET BRANDS, INC.**,
Minneapolis, MN (US)

OTHER PUBLICATIONS

(72) Inventors: **Brian R. Holt**, Minneapolis, MN (US);
Gina M. H. Johnson, North Oaks, MN (US)

Photographs of Greeting Card with Gift Card Secured Thereto
Publicly Available from Target Stores in 2004 (3 pages).

(Continued)

(73) Assignee: **TARGET BRANDS, INC.**,
Minneapolis, MN (US)

Primary Examiner — Holly H Baynham

(74) *Attorney, Agent, or Firm* — JoAnn M. Seaton;
Griffiths & Seaton PLLC

(**) Term: **15 Years**

(57) **CLAIM**

(21) Appl. No.: **29/582,593**

The ornamental design for a combined transaction product
and carrier sleeve, as shown and described.

(22) Filed: **Oct. 28, 2016**

DESCRIPTION

(51) **LOC (11) Cl.** **03-01**

(52) **U.S. Cl.**
USPC **D3/300; D3/247**

(58) **Field of Classification Search**
USPC D3/247, 249–253, 300
CPC A45C 1/06; A45C 3/08
See application file for complete search history.

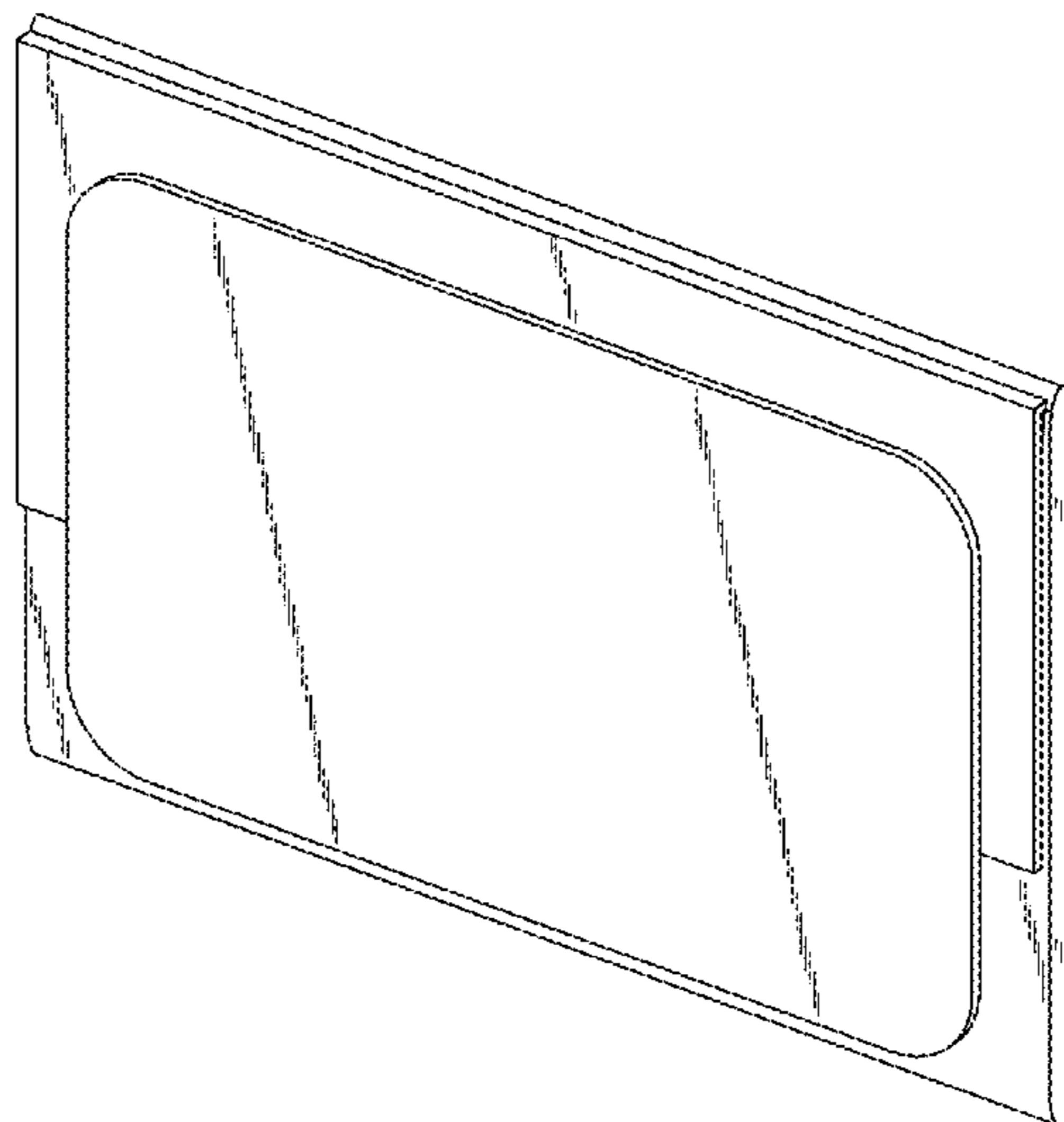
(56) **References Cited**

U.S. PATENT DOCUMENTS

| | | | |
|--------------|---------|-------------------|--------|
| D410,769 S * | 6/1999 | Dorizas | D3/201 |
| D411,765 S * | 7/1999 | Holihan | D3/201 |
| D454,781 S | 3/2002 | Assargren et al. | |
| 6,619,480 B2 | 9/2003 | Smith | |
| D480,958 S | 10/2003 | Mazel et al. | |
| 6,640,974 B2 | 11/2003 | Malone | |
| 7,011,249 B2 | 3/2006 | Tang | |
| 7,024,807 B2 | 4/2006 | Street | |
| D533,220 S | 12/2006 | Graves et al. | |
| 7,275,683 B2 | 10/2007 | Lazarowicz et al. | |
| D622,763 S | 8/2010 | Lamm et al. | |
| 7,900,827 B2 | 3/2011 | Albers et al. | |
| D665,446 S | 8/2012 | Mayer et al. | |

FIG. 1 is a top, front perspective view of a combined transaction product and carrier sleeve showing a our new design in a first configuration;
 FIG. 2 is a front view thereof;
 FIG. 3 is a rear view thereof;
 FIG. 4 is a right side view thereof;
 FIG. 5 is a left side view thereof;
 FIG. 6 is a top view thereof; and
 FIG. 7 is a bottom view thereof.
 FIG. 8 is a top, front perspective view of the combined transaction product and carrier sleeve of FIG. 1 showing a our new design in a second configuration;
 FIG. 9 is a front view thereof;
 FIG. 10 is a rear view thereof;
 FIG. 11 is a right side view thereof;
 FIG. 12 is a left side view thereof;
 FIG. 13 is a top view thereof; and,
 FIG. 14 is a bottom view thereof.
 In the drawings, the broken lines depict unclaimed subject matter only and form no part of the claimed design.

1 Claim, 6 Drawing Sheets



(56)

References Cited

U.S. PATENT DOCUMENTS

D723,798 S * 3/2015 Sha D3/247
D723,800 S * 3/2015 Ziegler D3/247
D724,319 S * 3/2015 Ziegler D3/247
D731,587 S 6/2015 Peters et al.
9,585,451 B2 * 3/2017 Velentzas A45C 11/182
2002/0088855 A1 7/2002 Hodes
2009/0112711 A1 4/2009 Clegg et al.
2014/0310114 A1 10/2014 Fowler

OTHER PUBLICATIONS

Photographs of gift card assembly publicly available in Target stores at least as early as 2008 (3 pages).

Photographs of gift card envelope publicly available in Target stores at least as early as 2012 (2 pages).

Holt, Brian, et al., U.S. Appl. No. 29/548,553, filed Dec. 15, 2015 (15 pages).

* cited by examiner

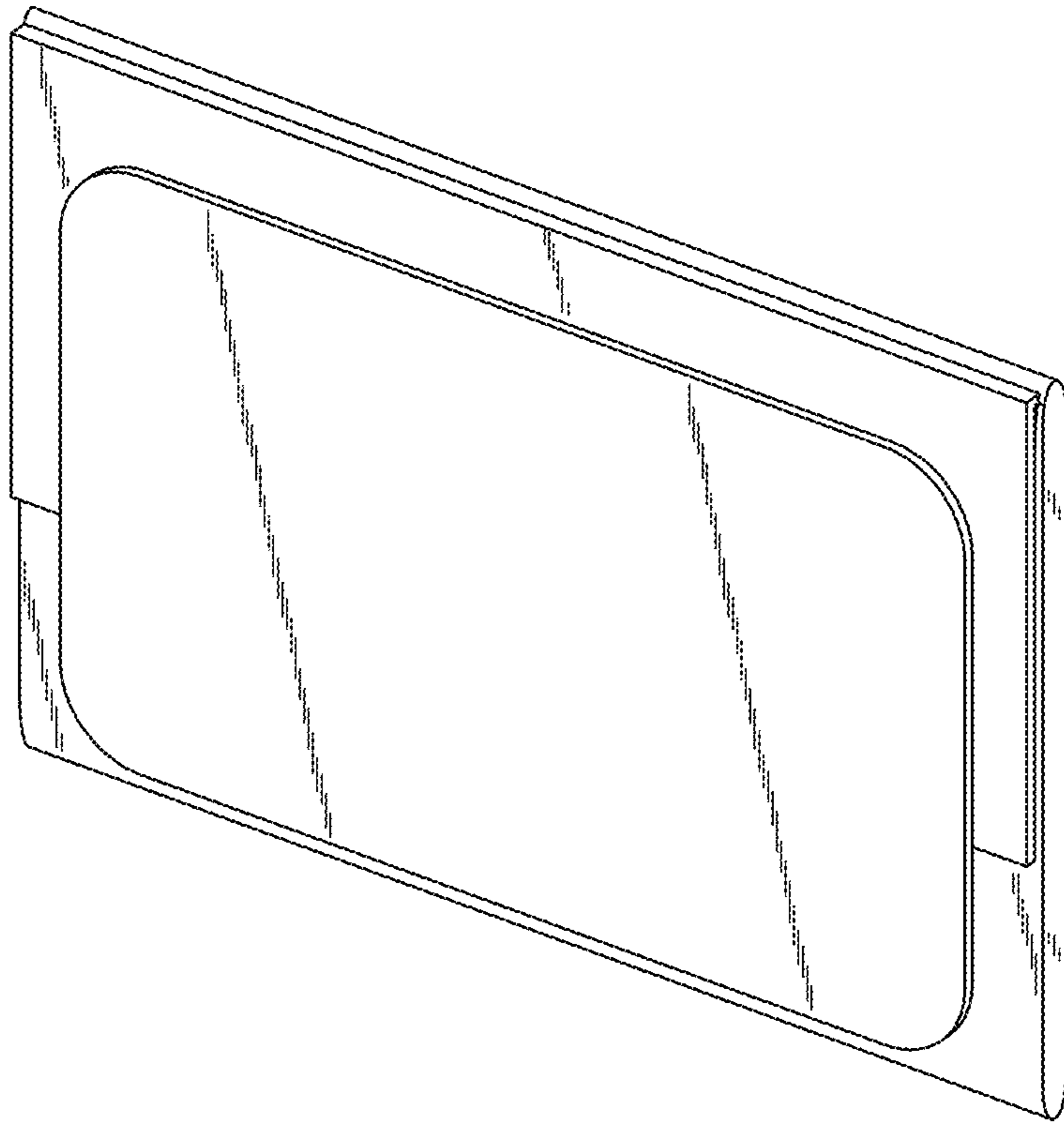


FIG. 1

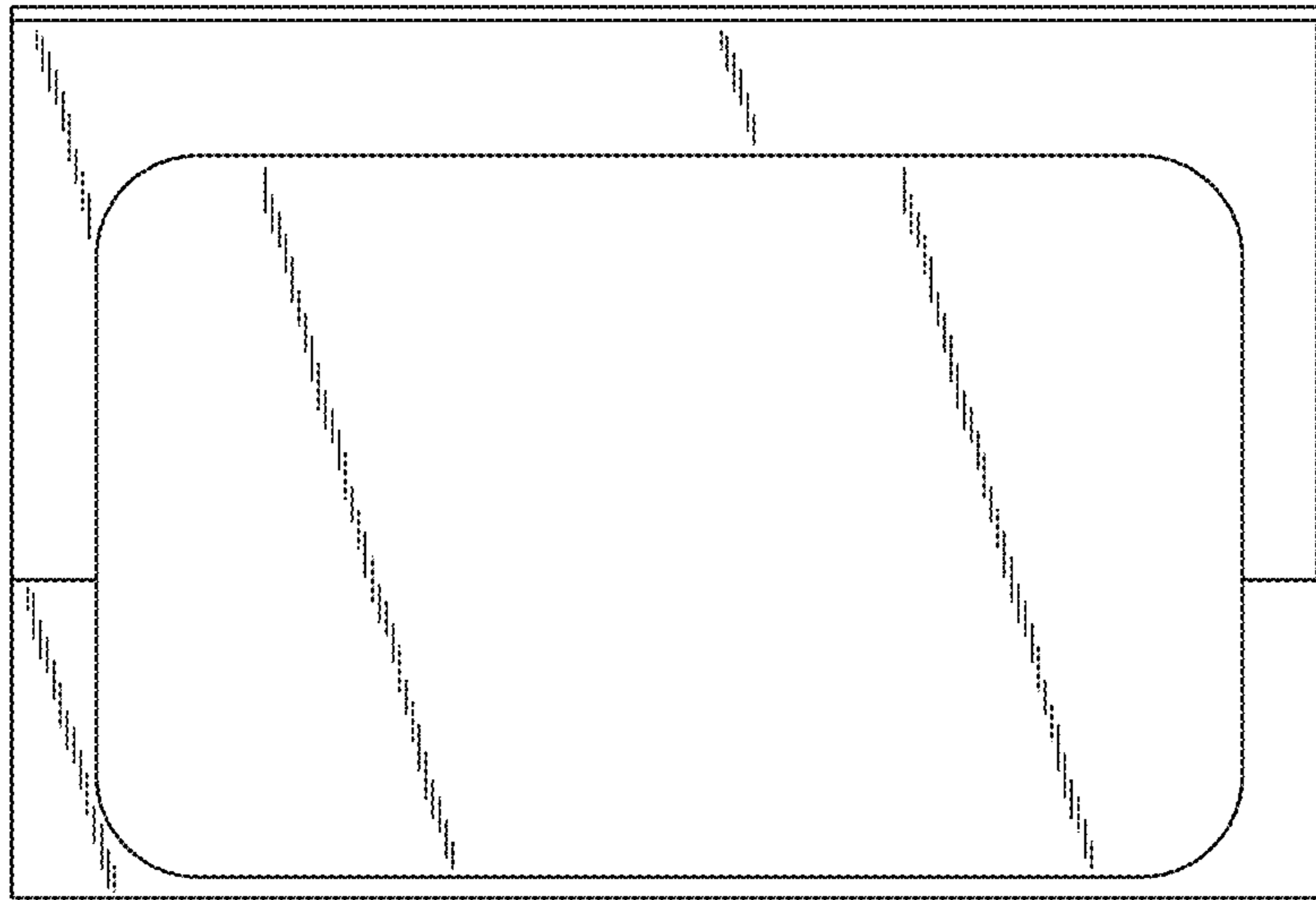


FIG. 2

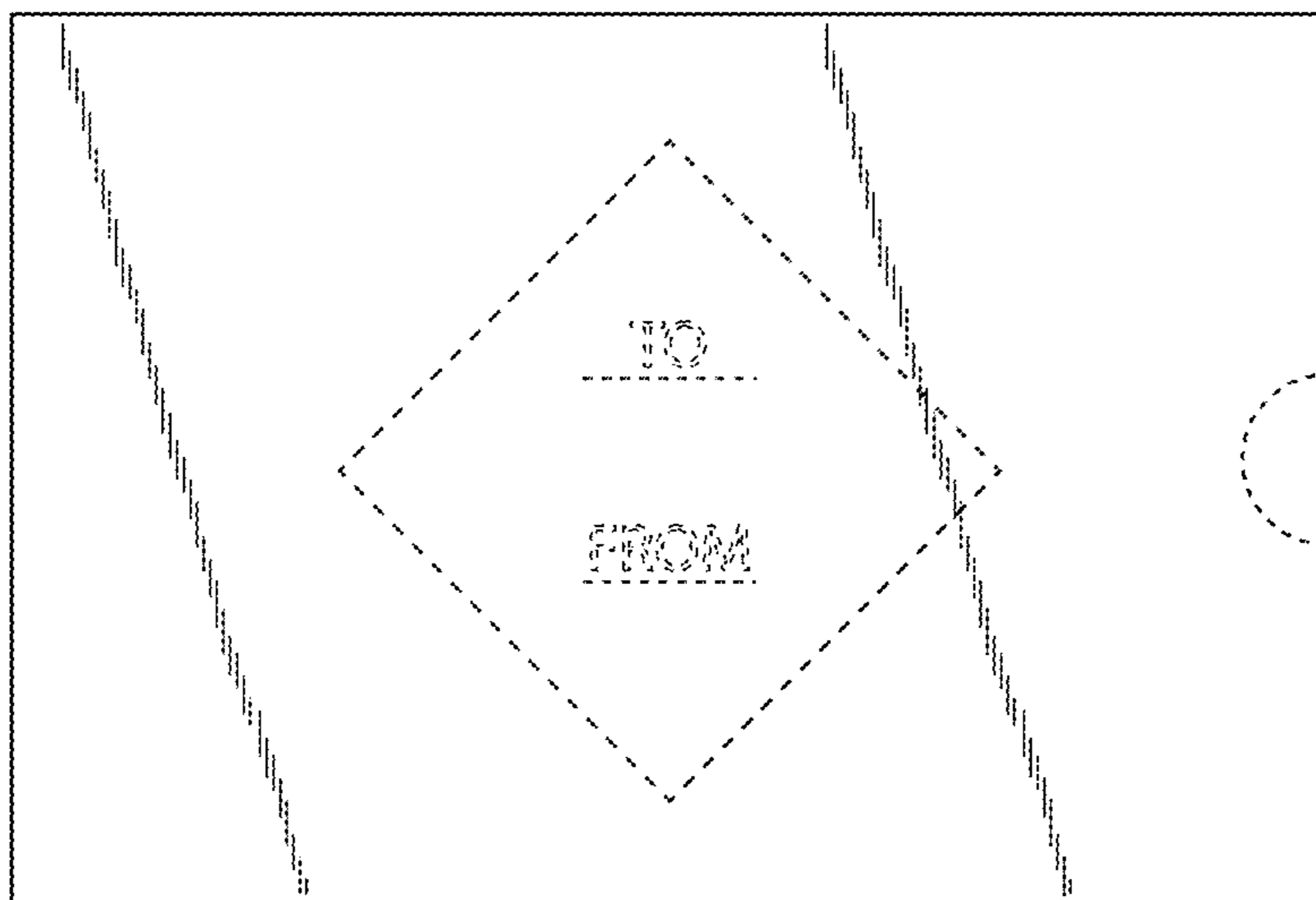


FIG. 3

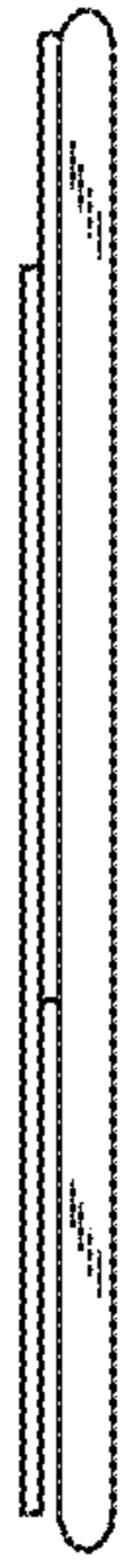


FIG. 4

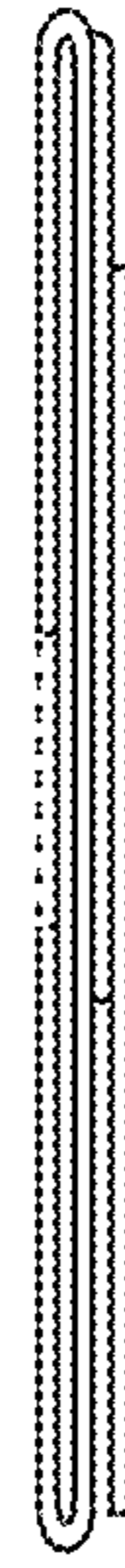


FIG. 5



FIG. 6

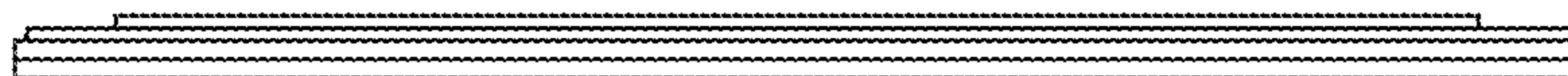


FIG. 7

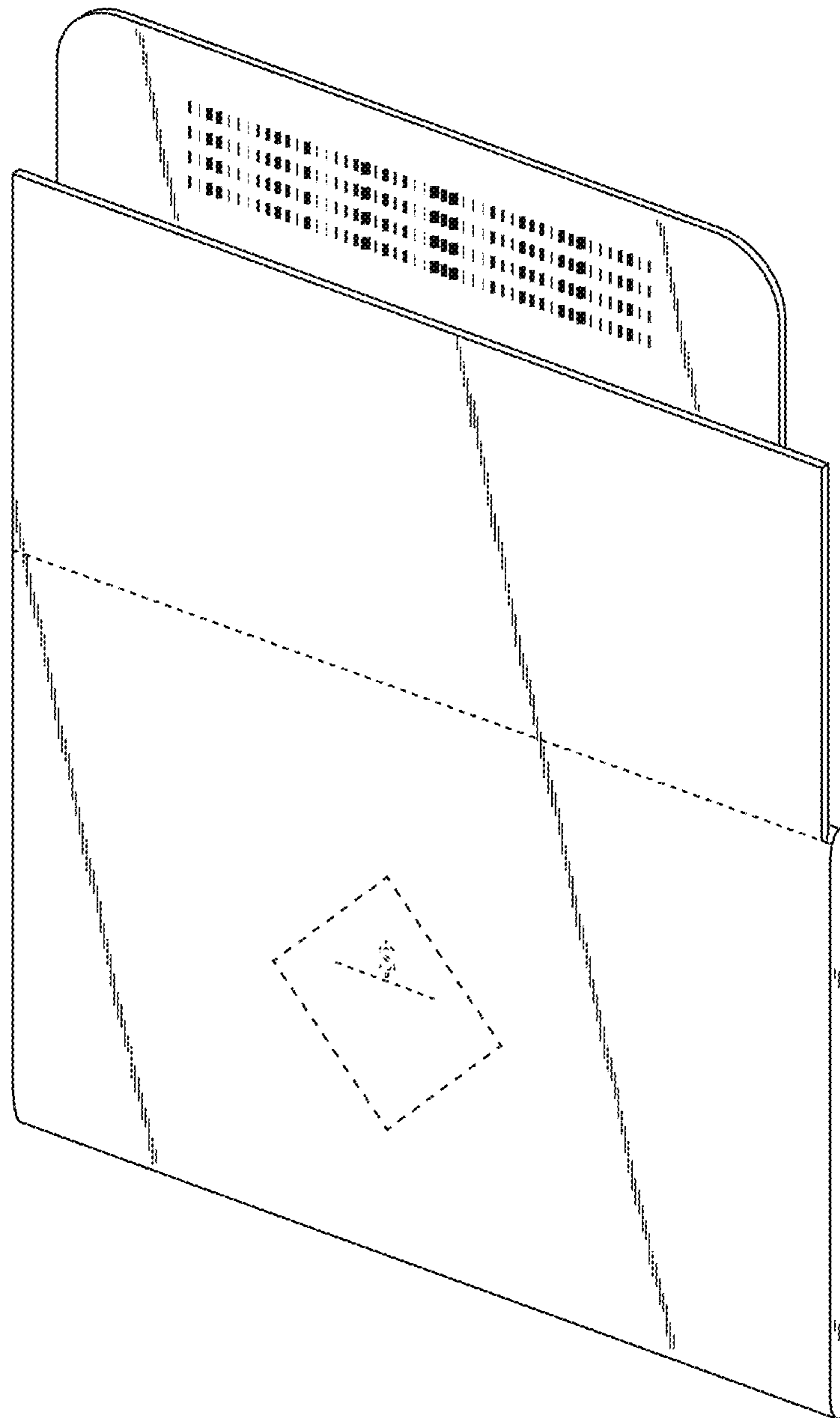


FIG. 8

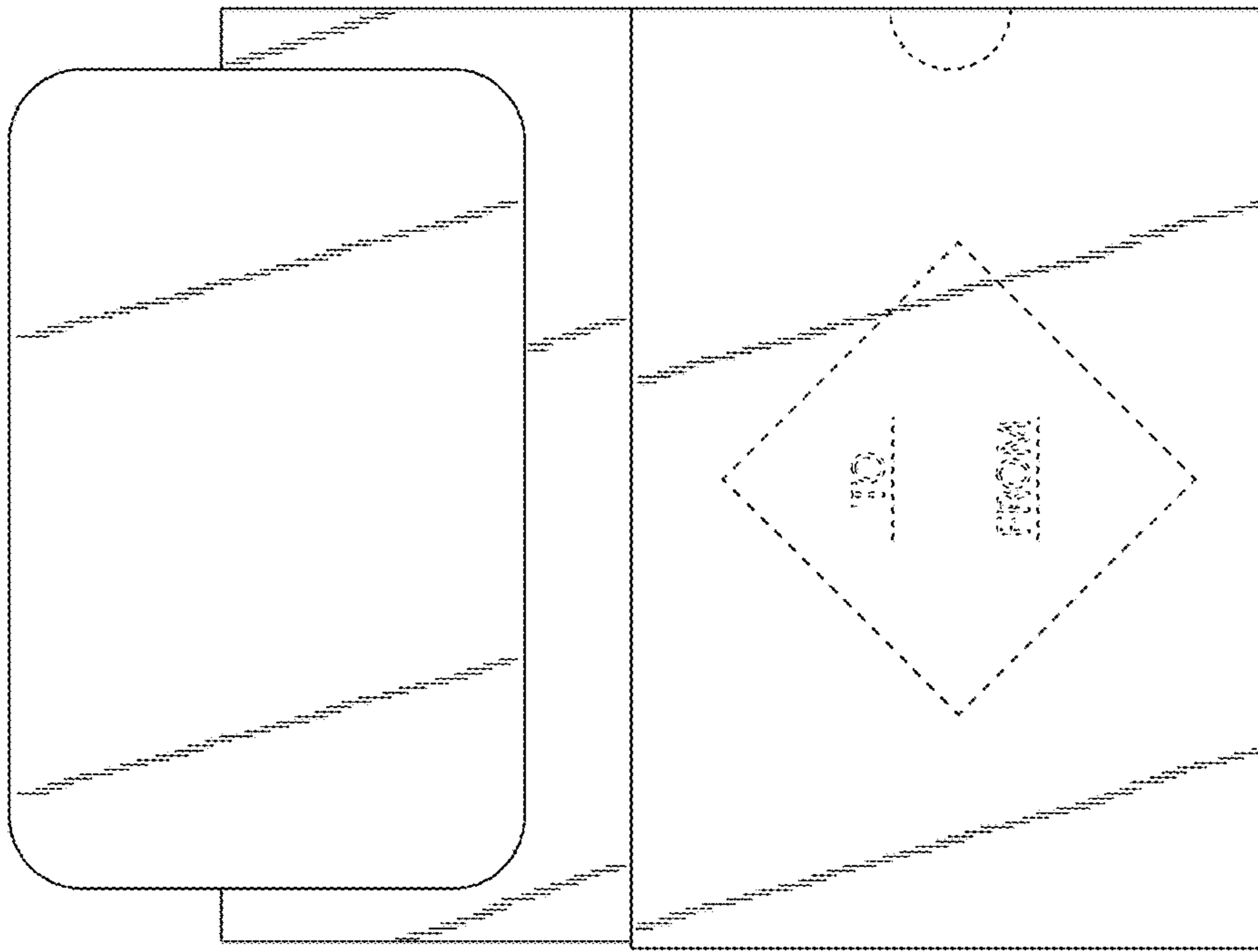


FIG. 10

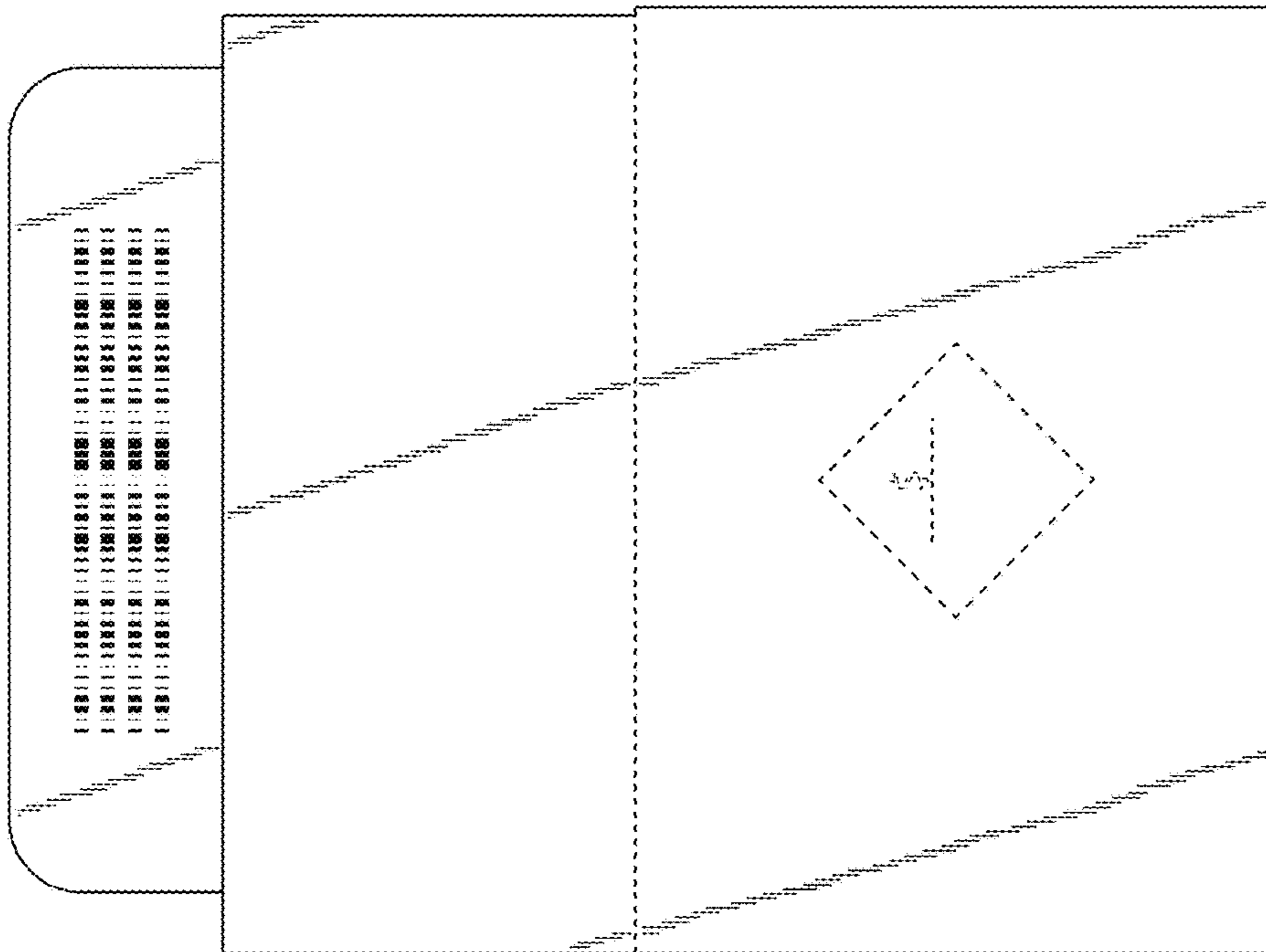


FIG. 9

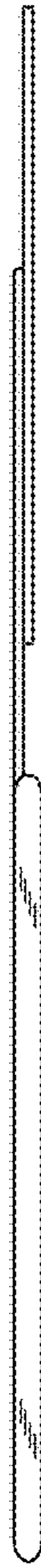


FIG. 11



FIG. 12

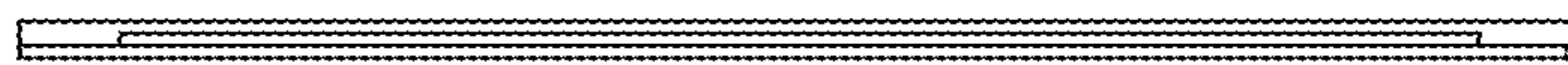


FIG. 13

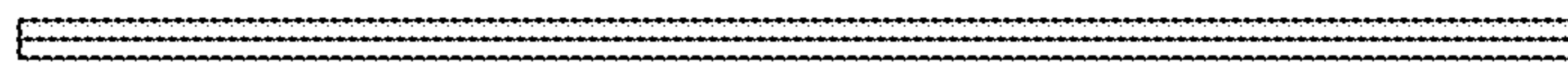


FIG. 14