



US00D808165S

(12) **United States Design Patent**
Currier

(10) **Patent No.:** **US D808,165 S**
(45) **Date of Patent:** **** Jan. 23, 2018**

(54) **UTILITY BAG**

D762,978 S * 8/2016 Boroski D3/283
D767,877 S * 10/2016 Halko D3/203.1
D775,825 S * 1/2017 Chehebar D3/276

(71) Applicant: **TALUS CORPORATION**, Portland,
ME (US)

(72) Inventor: **Jason Currier**, Portland, ME (US)

(73) Assignee: **Talus Corporation**, Portland, ME (US)

(**) Term: **15 Years**

(21) Appl. No.: **29/554,247**

(22) Filed: **Feb. 9, 2016**

(51) **LOC (11) Cl.** **03-01**

(52) **U.S. Cl.**
USPC **D3/283; D3/289**

(58) **Field of Classification Search**
USPC D3/203.1, 203.6, 271.9, 273, 274, 276,
D3/283, 284, 285, 286, 287, 290, 301,
D3/901, 902, 303; D12/415, 416
CPC A45C 5/00; A45C 5/06; A45C 3/00; A45C
2003/007; A45C 2003/008; A45C
2009/007

See application file for complete search history.

(56) **References Cited**

U.S. PATENT DOCUMENTS

D419,763 S * 2/2000 Wiebe D3/232
D429,883 S * 8/2000 Roonan D3/273
D520,747 S * 5/2006 McClain D3/290
D548,967 S * 8/2007 Bell D3/287
D552,849 S * 10/2007 Bosley D3/287
D602,688 S * 10/2009 Smith D3/233
D665,169 S * 8/2012 Filip D3/283
D692,661 S * 11/2013 Gupton, Jr. D3/279
D725,908 S * 4/2015 Zwetzig D3/283
D762,384 S * 8/2016 Boroski D3/283

OTHER PUBLICATIONS

High Road, "High Road Wag'nRide™ Doggie Pack", first reviewed on Oct. 25, 2016, accessed Mar. 1, 2017. (<http://www.highroadorganizers.com/Wag-n-Ride-Doggie-Pack-Dog-Walking-Bag-p/hr-7228-blk.htm>).*

* cited by examiner

Primary Examiner — Jennifer Rivard

Assistant Examiner — April Rivas

(74) *Attorney, Agent, or Firm* — Tredecim LLC; Sean L. Sweeney

(57) **CLAIM**

The ornamental design for a utility bag, as shown and described.

DESCRIPTION

FIG. 1 is a front view of a utility bag showing my new design;

FIG. 2 is a rear view thereof;

FIG. 3 is a top view thereof;

FIG. 4 is a bottom view thereof;

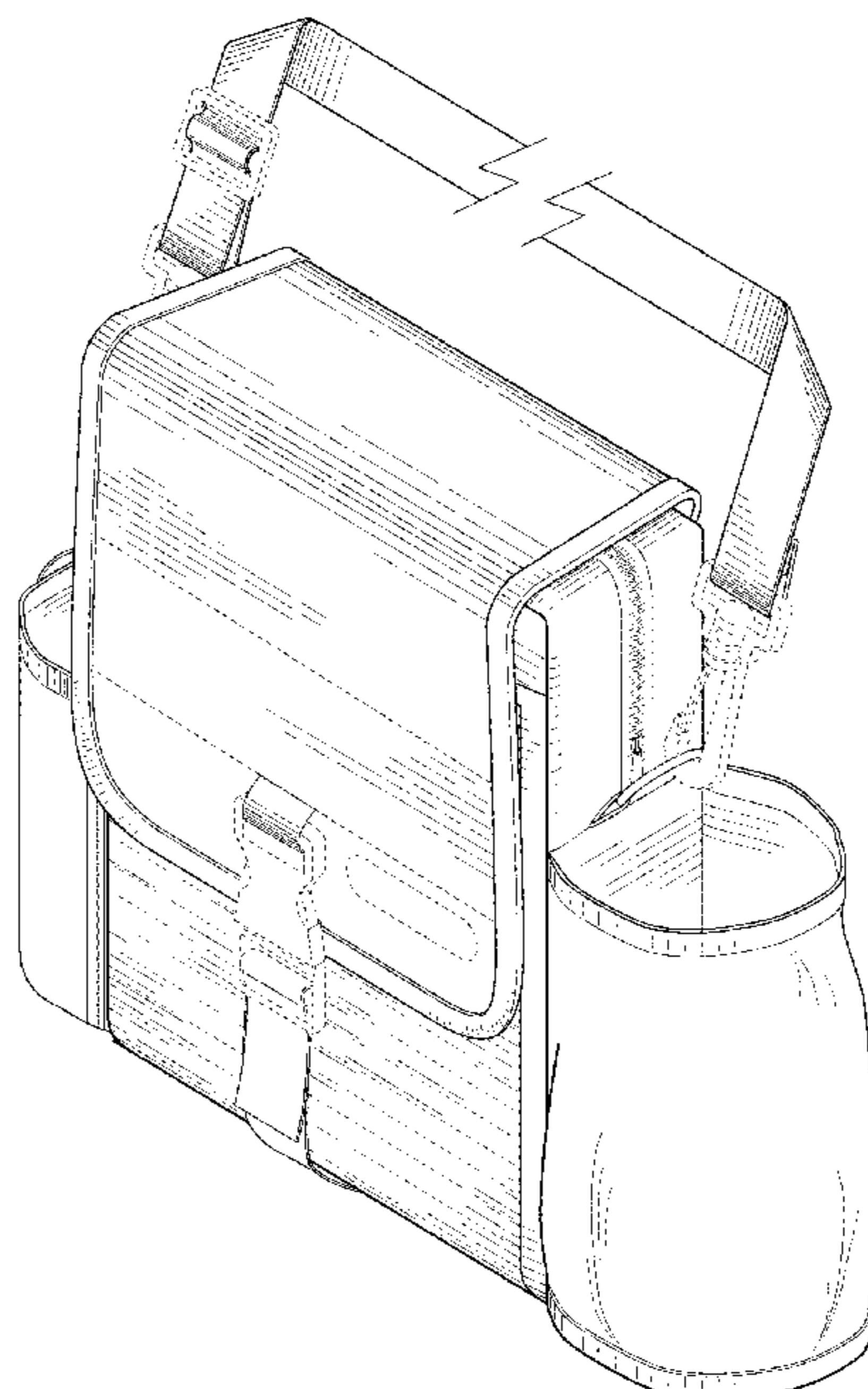
FIG. 5 is a left side view thereof;

FIG. 6 is a right side view thereof; and,

FIG. 7 is a perspective front view thereof.

The broken lines illustrate portions of the utility bag and form no part of the claimed design. The strap is shown with a symbolic break in its length. The appearance of any portion of the article between the break lines forms no part of the claimed design.

1 Claim, 7 Drawing Sheets



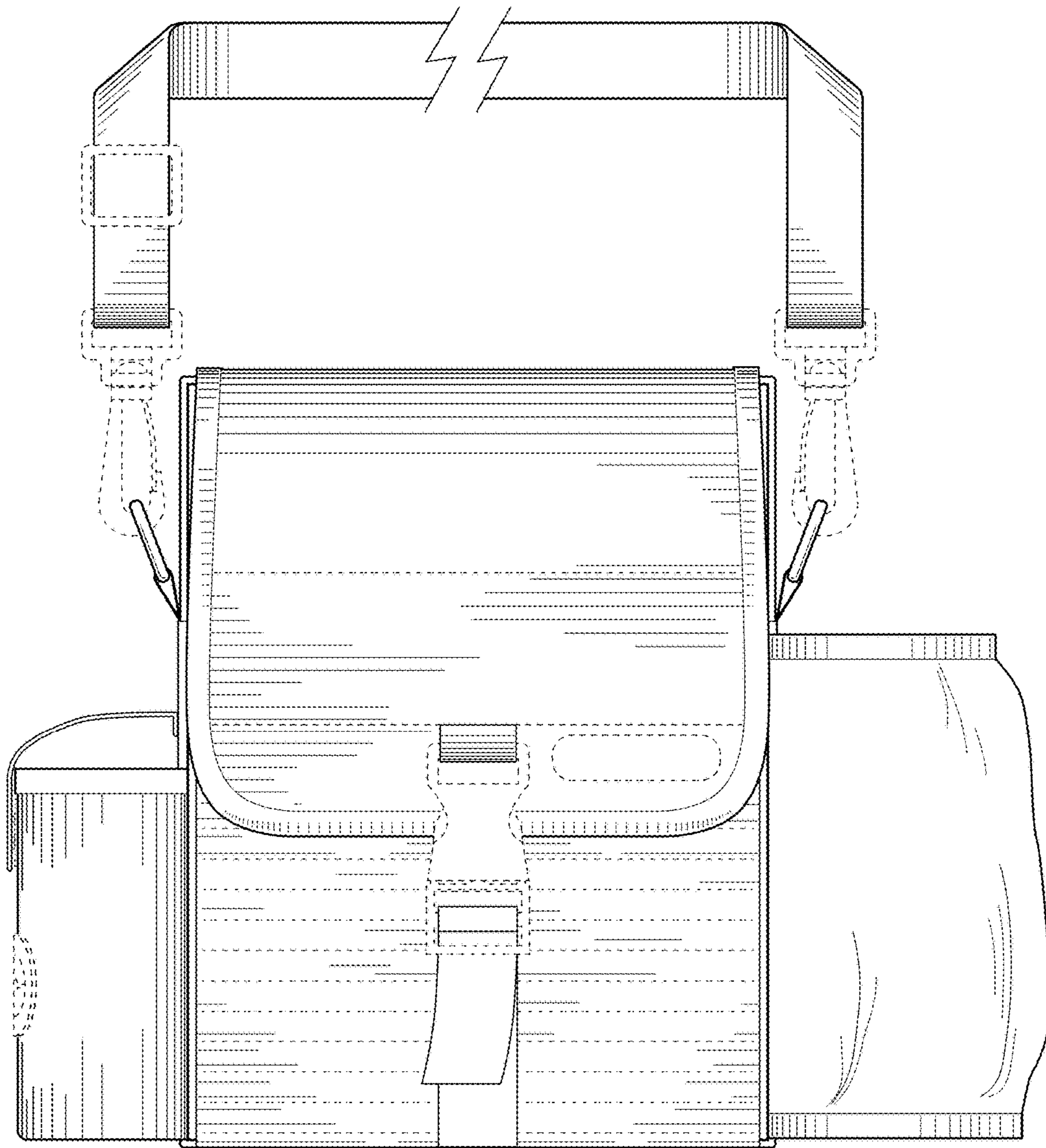


FIG. 1

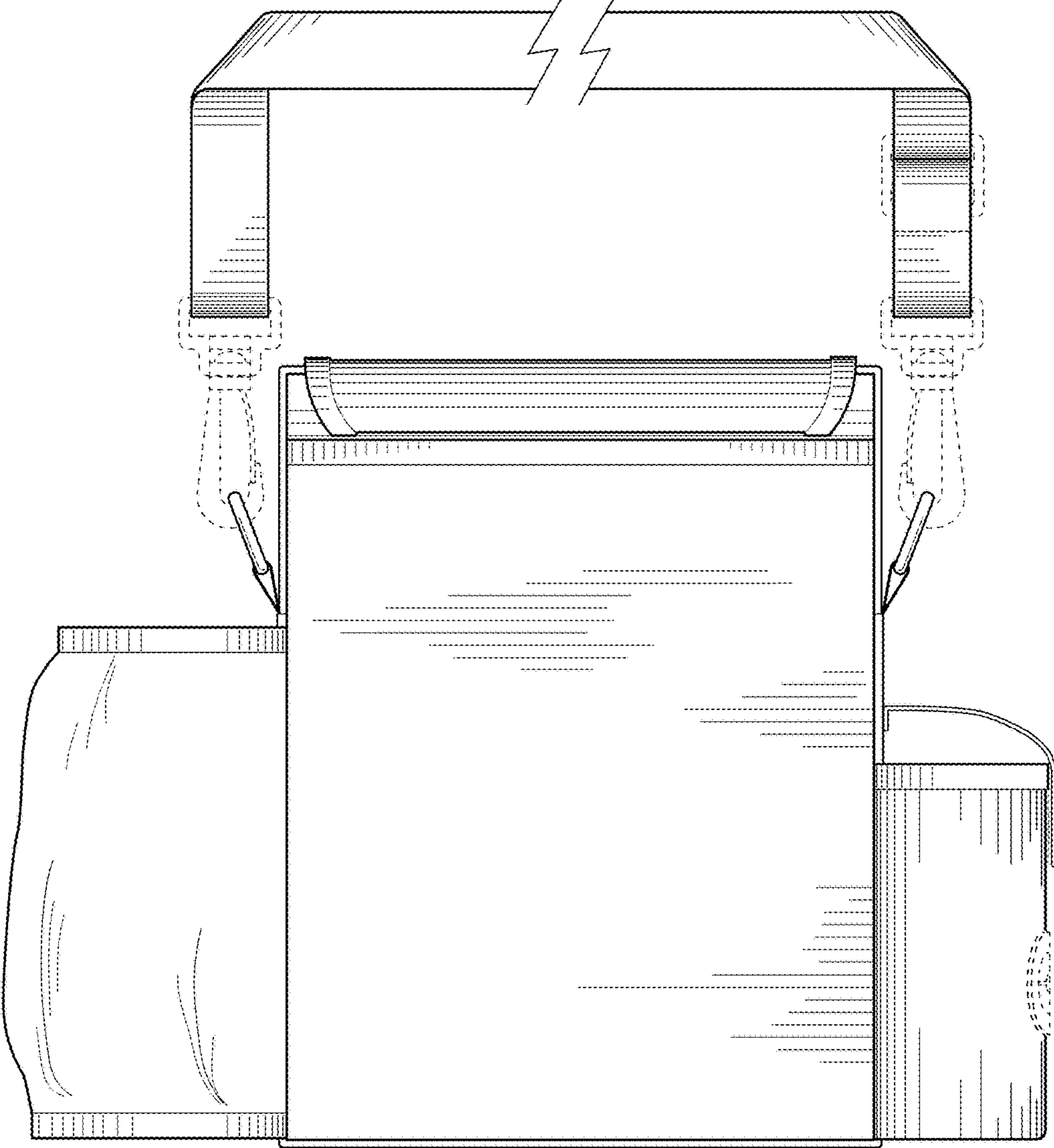


FIG. 2

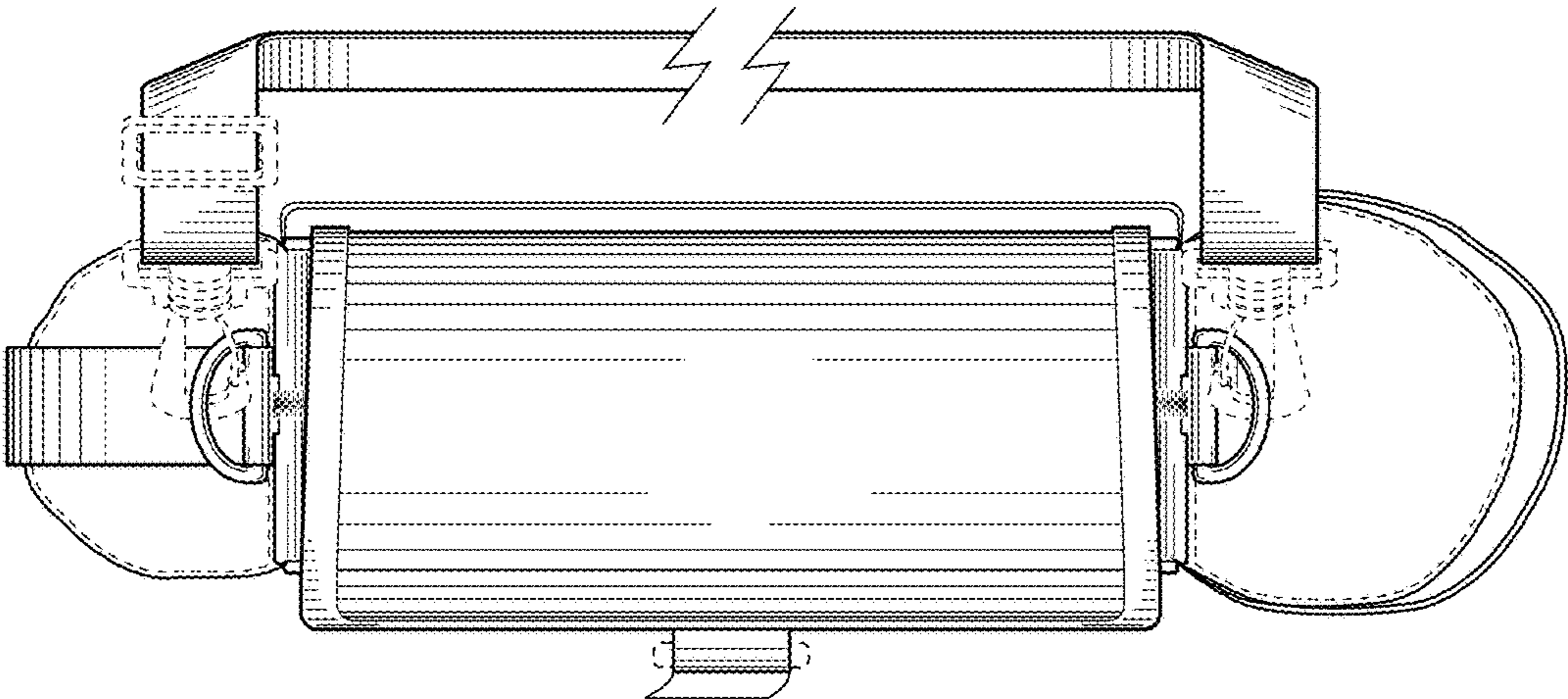


FIG. 3

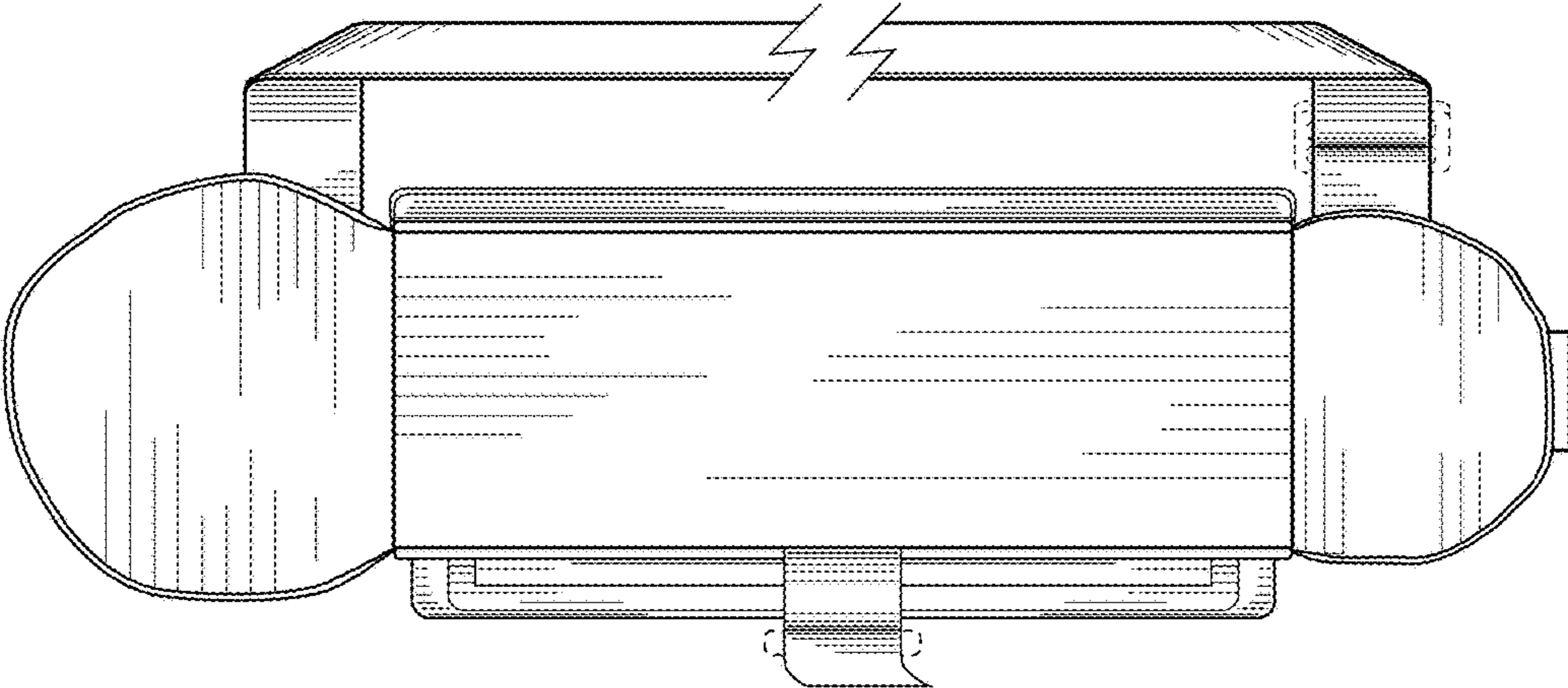


FIG. 4

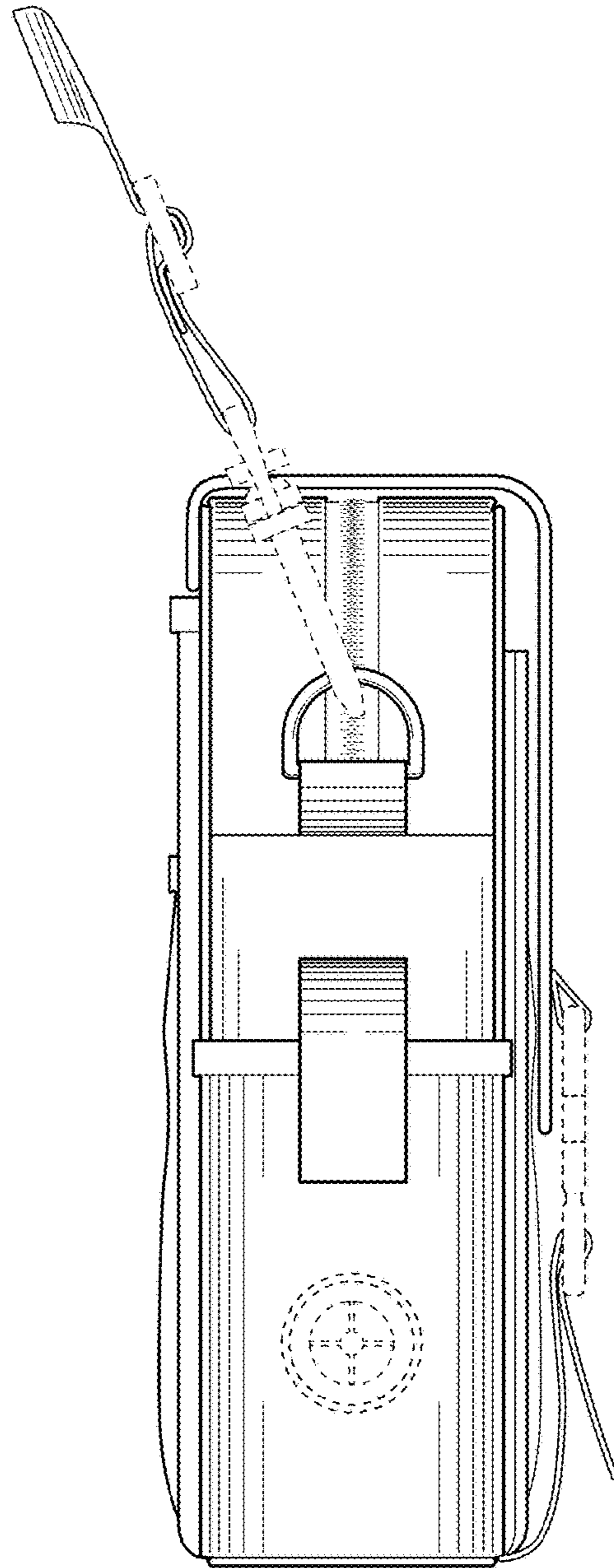


FIG. 5

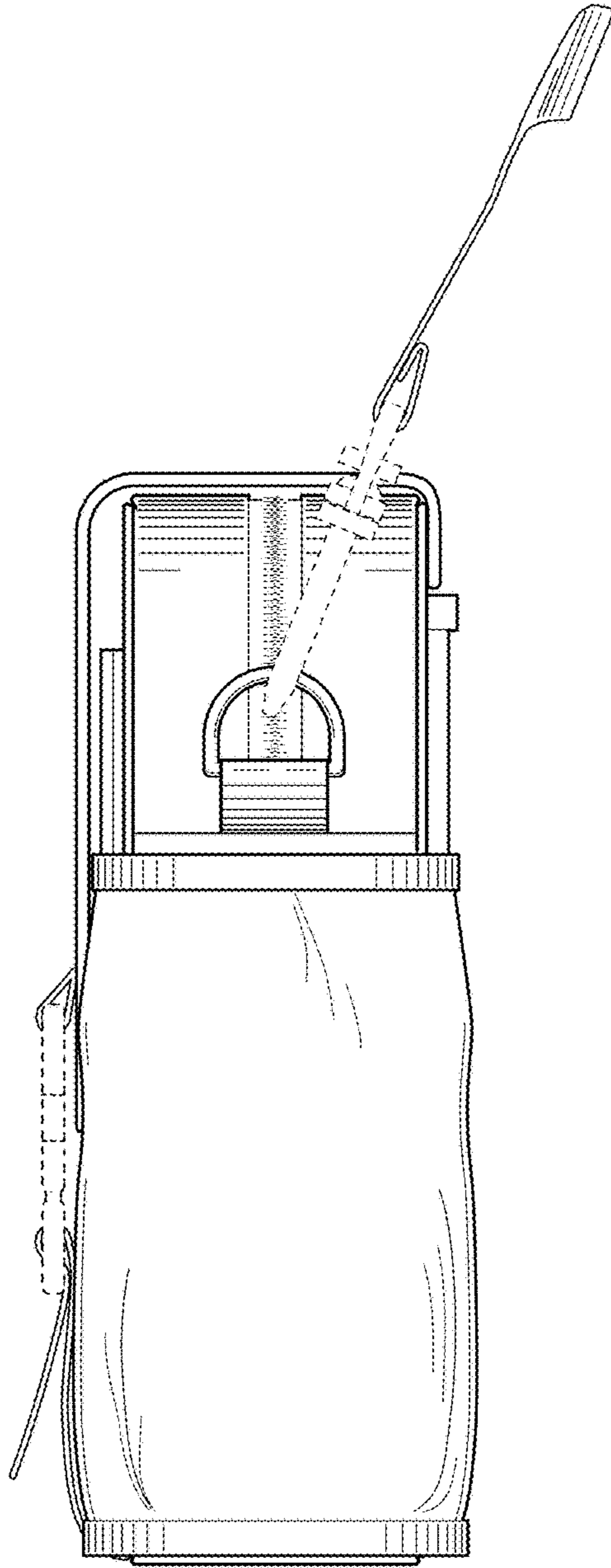


FIG. 6

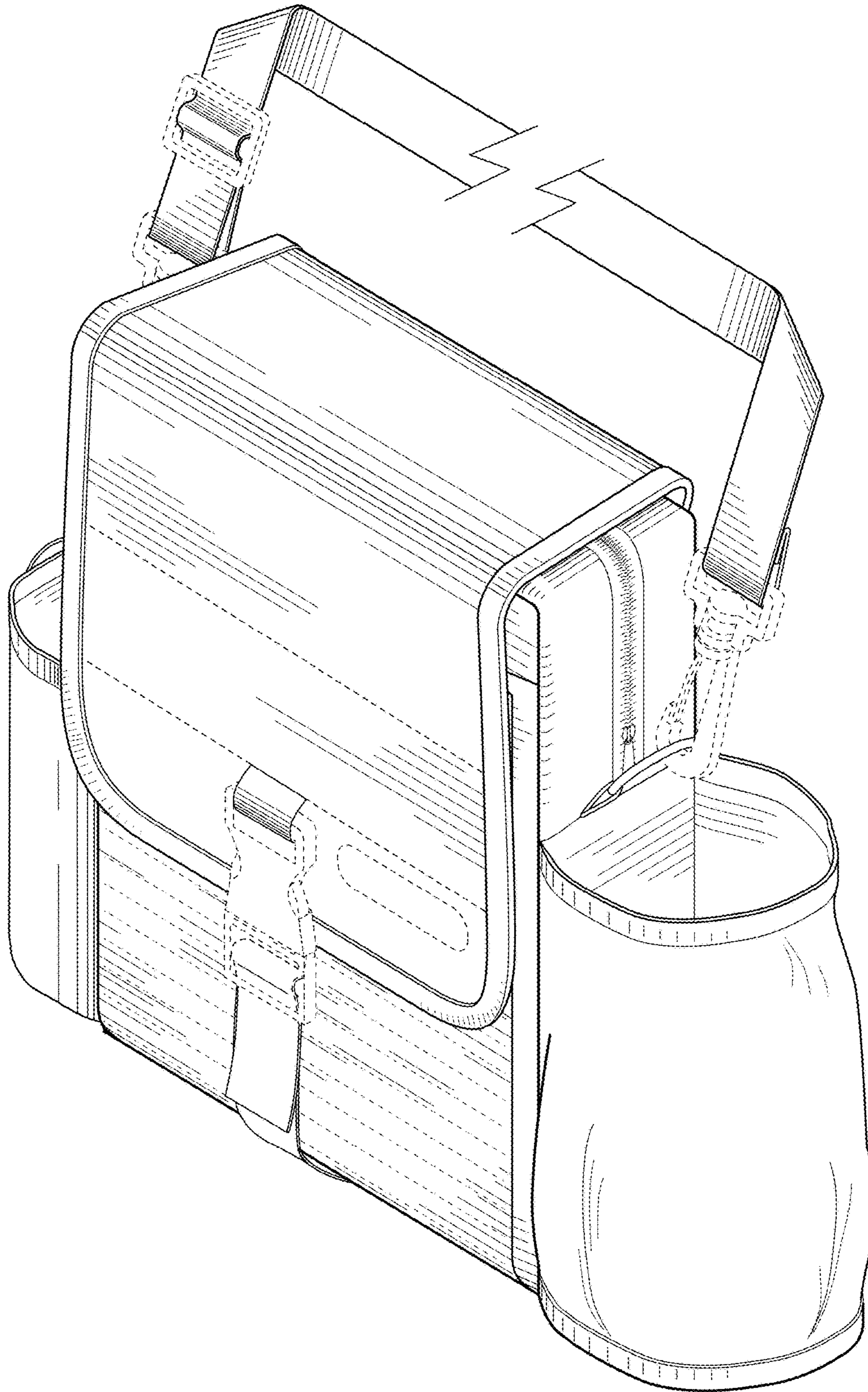


FIG. 7