



US00D808164S

(12) **United States Design Patent** (10) **Patent No.:** **US D808,164 S**  
**Summers** (45) **Date of Patent:** **\*\* Jan. 23, 2018**

(54) **CONTAINER**

(71) Applicant: **Matthew A. Summers**, Ridgeland, MS (US)

(72) Inventor: **Matthew A. Summers**, Ridgeland, MS (US)

(\*\*) Term: **15 Years**

(21) Appl. No.: **29/537,757**

(22) Filed: **Aug. 28, 2015**

(51) **LOC (11) Cl.** ..... **03-01**

(52) **U.S. Cl.**  
USPC ..... **D3/279; D3/282; D3/905**

(58) **Field of Classification Search**  
USPC ..... **D3/273, 276, 272, 279, 281, 282, 283, D3/284, 291, 294, 295, 296, 297, 905, D3/900**

CPC . **B25H 3/00; B25H 3/003; B25H 3/02; B65D 21/036**

See application file for complete search history.

(56) **References Cited**

**U.S. PATENT DOCUMENTS**

|           |   |          |                  |              |
|-----------|---|----------|------------------|--------------|
| 3,419,184 | A | 12/1968  | Asenbauer        |              |
| 3,987,829 | A | 10/1976  | Leone            |              |
| 4,287,997 | A | 9/1981   | Rolfe et al.     |              |
| 4,452,555 | A | 6/1984   | Calabro          |              |
| 5,058,746 | A | 10/1991  | Morgan, IV       |              |
| 5,085,448 | A | 2/1992   | Shubin           |              |
| 5,186,330 | A | 2/1993   | McClure          |              |
| D358,765  | S | 5/1995   | Dickinson et al. |              |
| 5,564,805 | A | 10/1996  | Dickinson        |              |
| 5,709,008 | A | 1/1998   | Dickinson        |              |
| 5,785,328 | A | 7/1998   | Eckloff          |              |
| D401,412  | S | 11/1998  | LeTrudet         |              |
| 6,116,390 | A | 9/2000   | Cohen            |              |
| D462,168  | S | * 9/2002 | Klemmensen       | ..... D3/276 |
| D467,424  | S | 12/2002  | Hardigg et al.   |              |
| D467,425  | S | 12/2002  | Hardigg et al.   |              |

|           |    |           |                  |              |
|-----------|----|-----------|------------------|--------------|
| D467,426  | S  | 12/2002   | Hardigg et al.   |              |
| 6,983,946 | B2 | 1/2006    | Sullivan et al.  |              |
| 7,011,214 | B2 | 3/2006    | Brackmann et al. |              |
| 7,044,528 | B2 | 5/2006    | Rhodus           |              |
| 7,163,122 | B2 | 1/2007    | Elder et al.     |              |
| 7,350,789 | B2 | 4/2008    | Uffner et al.    |              |
| D578,757  | S  | * 10/2008 | Stevens          | ..... D3/272 |
| 7,482,928 | B2 | 1/2009    | Brackmann et al. |              |
| 7,530,580 | B2 | 5/2009    | Holgesson        |              |
| 7,537,119 | B2 | 5/2009    | Becklin          |              |
| 7,714,708 | B2 | 5/2010    | Brackmann et al. |              |

(Continued)

**OTHER PUBLICATIONS**

Speedbox, "463-L Speedbox", First reviewed on Jun. 23, 2016. Accessed Feb. 16, 2017. (<http://www.speedbox.us/products/box-singles?variant=18025987781#shopify-product-reviews>).\*

(Continued)

*Primary Examiner* — Jennifer Rivard

*Assistant Examiner* — April Rivas

(74) *Attorney, Agent, or Firm* — Hanrahan Law Firm, P.A.; Benjamin M. Hanrahan

(57) **CLAIM**

The ornamental design for a container, as shown and described.

**DESCRIPTION**

FIG. 1 is a front-left perspective view illustrating my design for a container.

FIG. 2 is a front view thereof.

FIG. 3 is a rear view thereof.

FIG. 4 is a left side view thereof.

FIG. 5 is a right side view thereof.

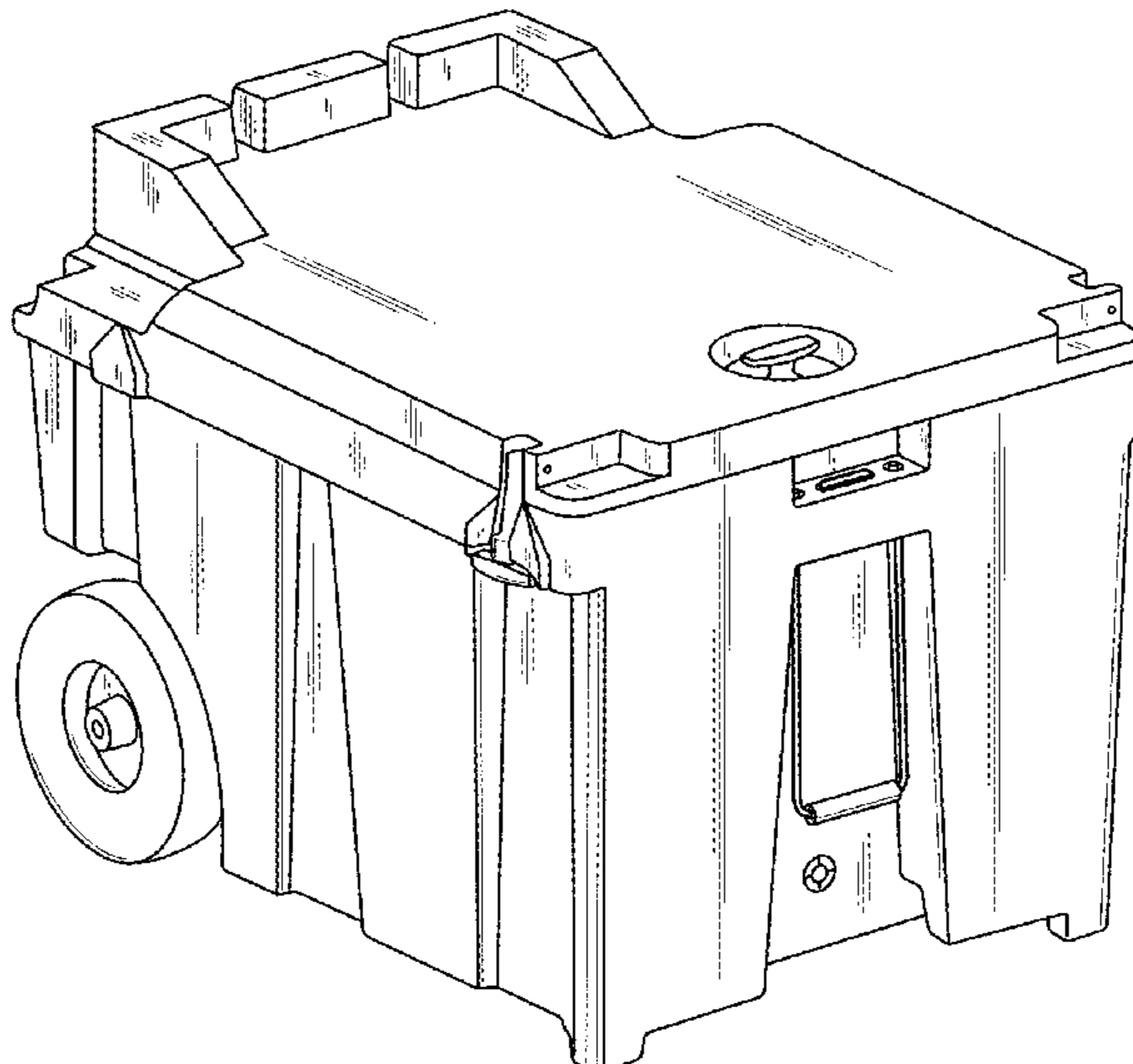
FIG. 6 is a top view thereof.

FIG. 7 is a bottom view thereof.

FIG. 8 is a rear-right perspective view thereof; and,

FIG. 9 is a bottom perspective view thereof.

**1 Claim, 9 Drawing Sheets**



(56)

**References Cited**

U.S. PATENT DOCUMENTS

7,780,026 B1 8/2010 Zuckerman  
 7,854,321 B2 12/2010 Twig et al.  
 7,883,096 B2 2/2011 Katz et al.  
 7,938,412 B2 5/2011 Katz  
 D649,783 S \* 12/2011 Brunner ..... D3/279  
 8,132,819 B2 3/2012 Landau et al.  
 8,146,771 B1 4/2012 Segeleon  
 8,256,242 B1 9/2012 Evans  
 D668,869 S \* 10/2012 Yamamoto ..... D3/281  
 8,561,769 B2 10/2013 Andochick  
 8,567,796 B2 10/2013 Bar-Erez et al.  
 RE44,656 E 12/2013 Becklin  
 D709,287 S \* 7/2014 Shitrit ..... D3/279  
 D710,100 S \* 8/2014 Brunner ..... D3/279  
 D767,277 S \* 9/2016 Faibish ..... D3/279  
 D770,179 S \* 11/2016 Menirom ..... D3/279  
 D771,381 S \* 11/2016 Sosnovsky ..... D3/279  
 9,550,605 B1 \* 1/2017 Summers ..... B65D 21/0215  
 2004/0007574 A1 1/2004 Most et al.  
 2005/0036847 A1 2/2005 Brackmann et al.

2005/0199459 A1 9/2005 Harvey  
 2007/0130731 A1 6/2007 Hakami  
 2009/0178946 A1 7/2009 Patstone et al.  
 2012/0292213 A1\* 11/2012 Brunner ..... B25H 3/028  
 206/349  
 2012/0292867 A1 11/2012 Allam et al.  
 2014/0197059 A1\* 7/2014 Evans ..... B25H 3/02  
 206/349

OTHER PUBLICATIONS

Amazon.com | “Pelican 0550 Transport Case with Foam, Black,”  
 webpage as provided by Internet Archive Wayback Machine at  
 <<https://web.archive.org/web/20130703023132/http://www.amazon.com/Pelican-0550-Transport-Case-Black/dp/B005OF1O06?>>,  
 published on or before Jul. 3, 2013.  
 Pelican | “Portable Warehouse,” “New From Pelican 0550 Transport  
 Case: The World’s Largest Injection Molded Protector Case.”  
 <[img.pelican.com/docs/products/protector/0550\\_Postcard.pdf](http://img.pelican.com/docs/products/protector/0550_Postcard.pdf)>,  
 printed on May 9, 2016; earliest publication date unknown.

\* cited by examiner

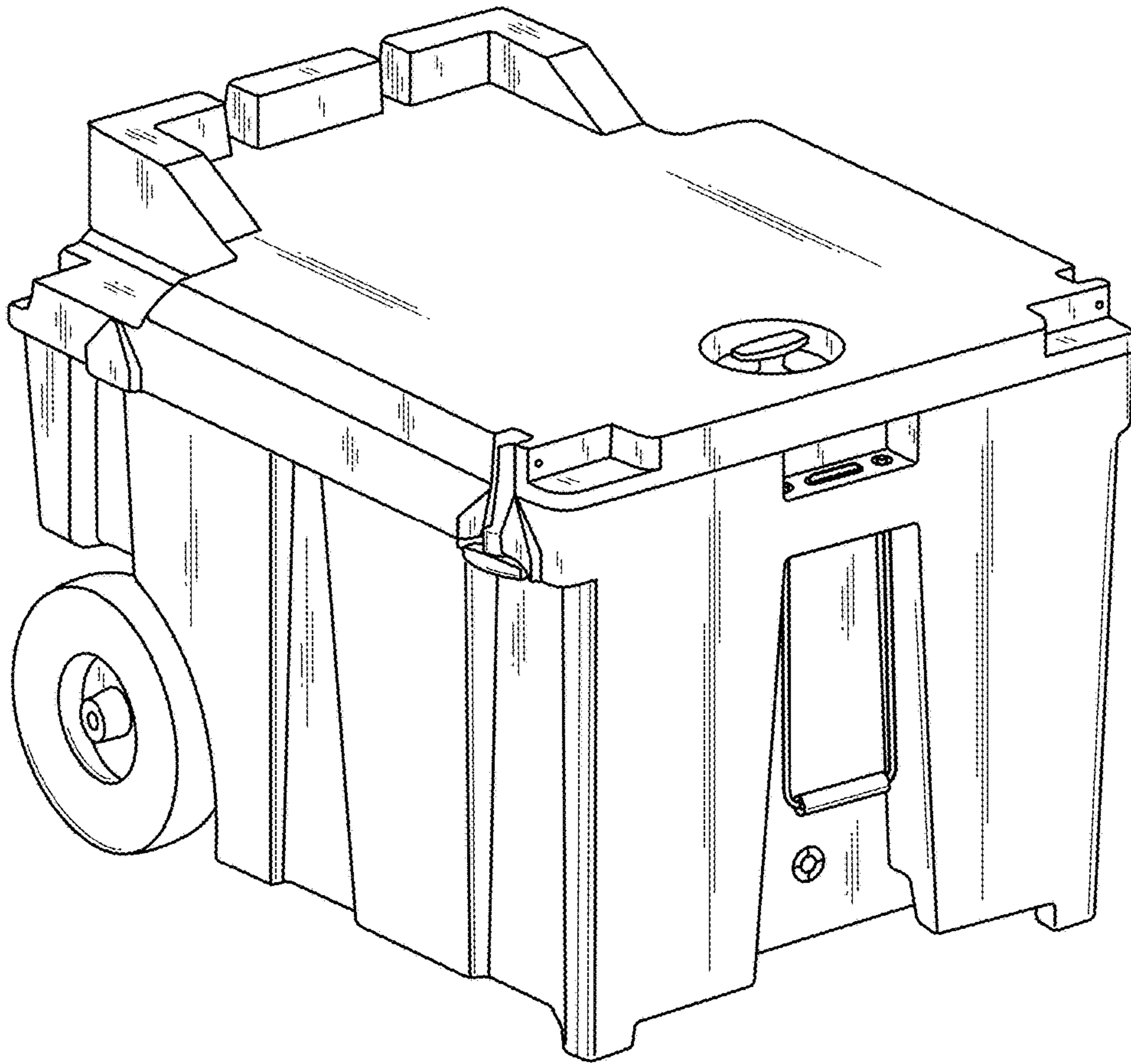


FIG. 1

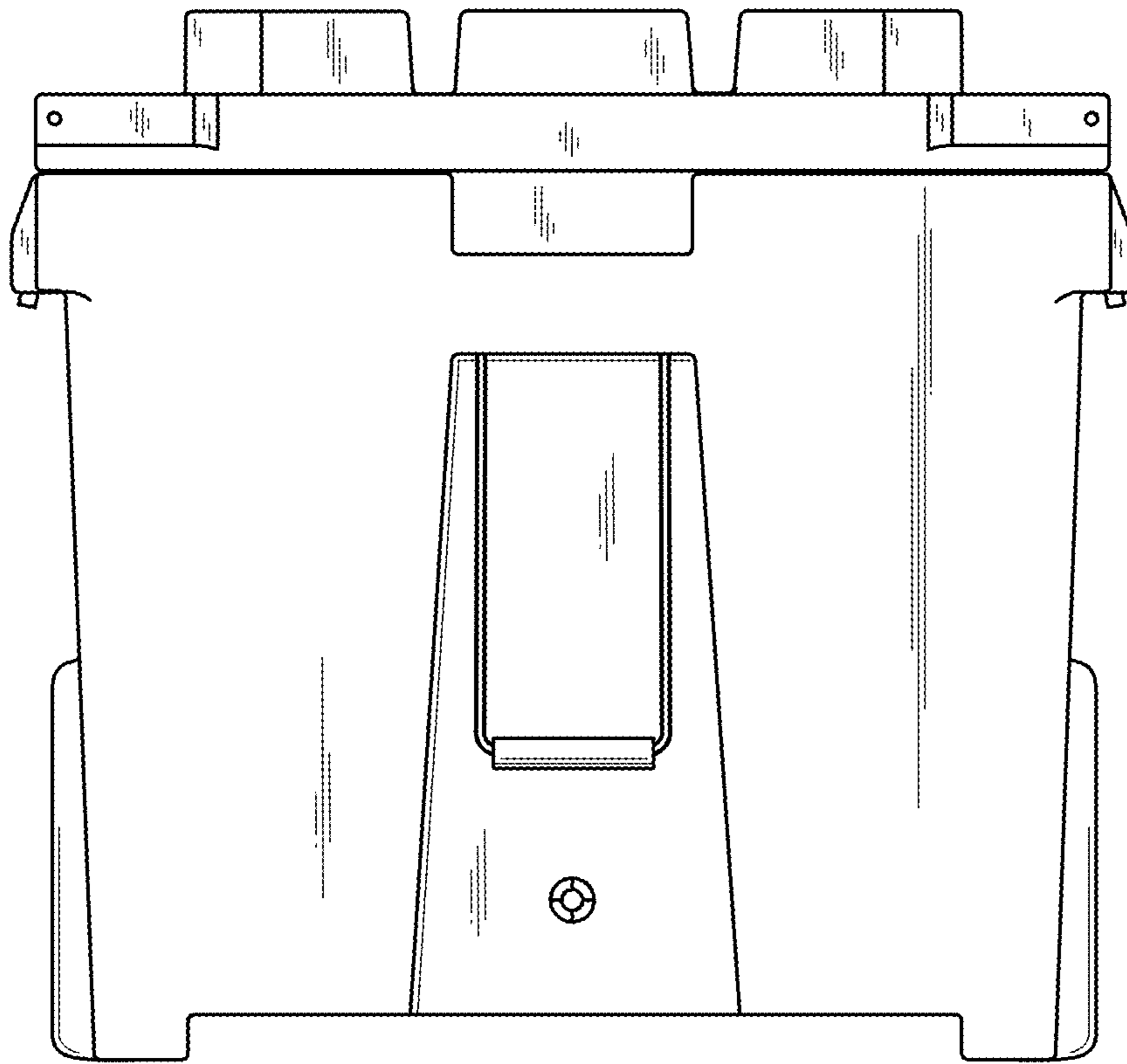


FIG. 2

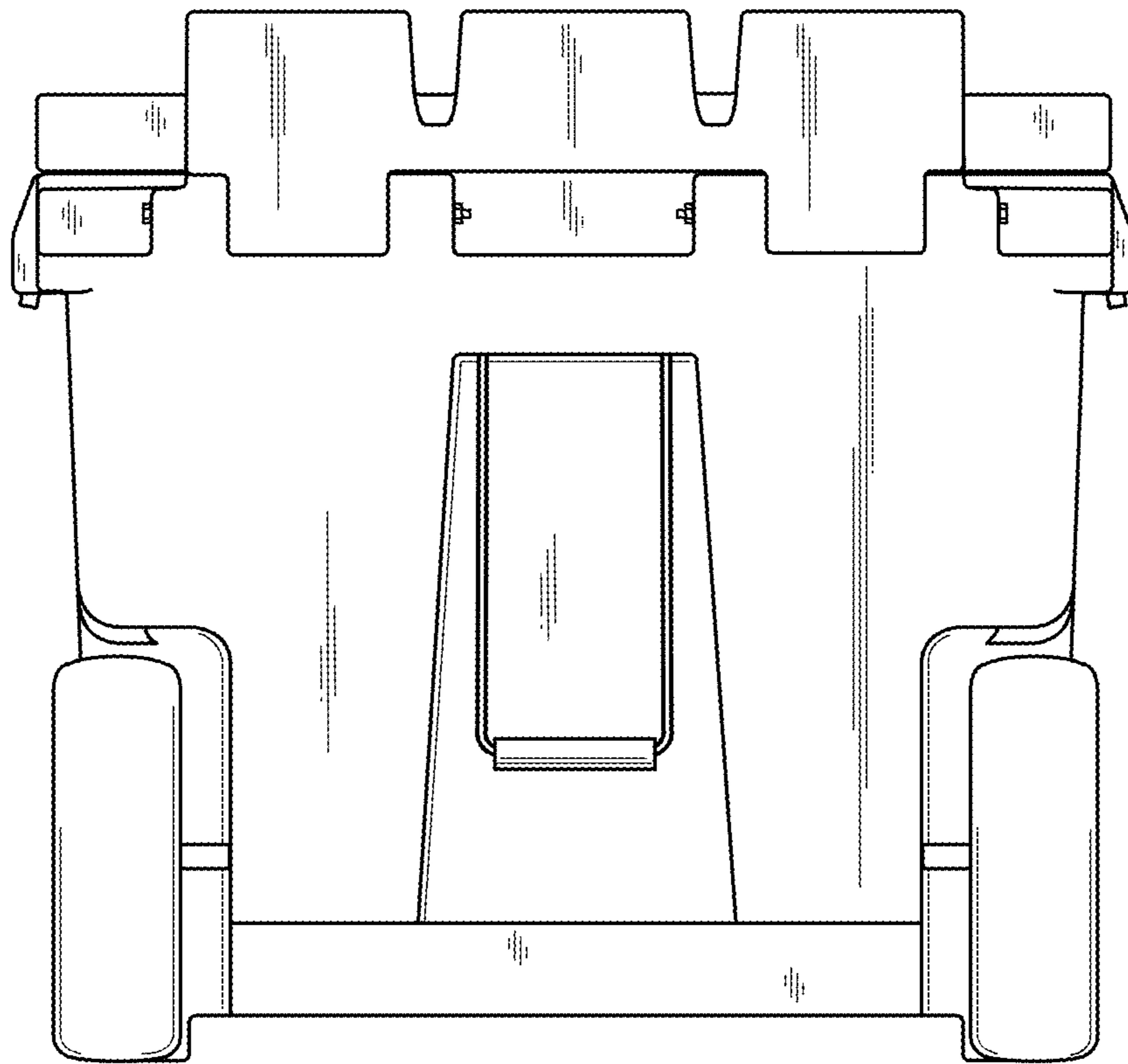


FIG. 3

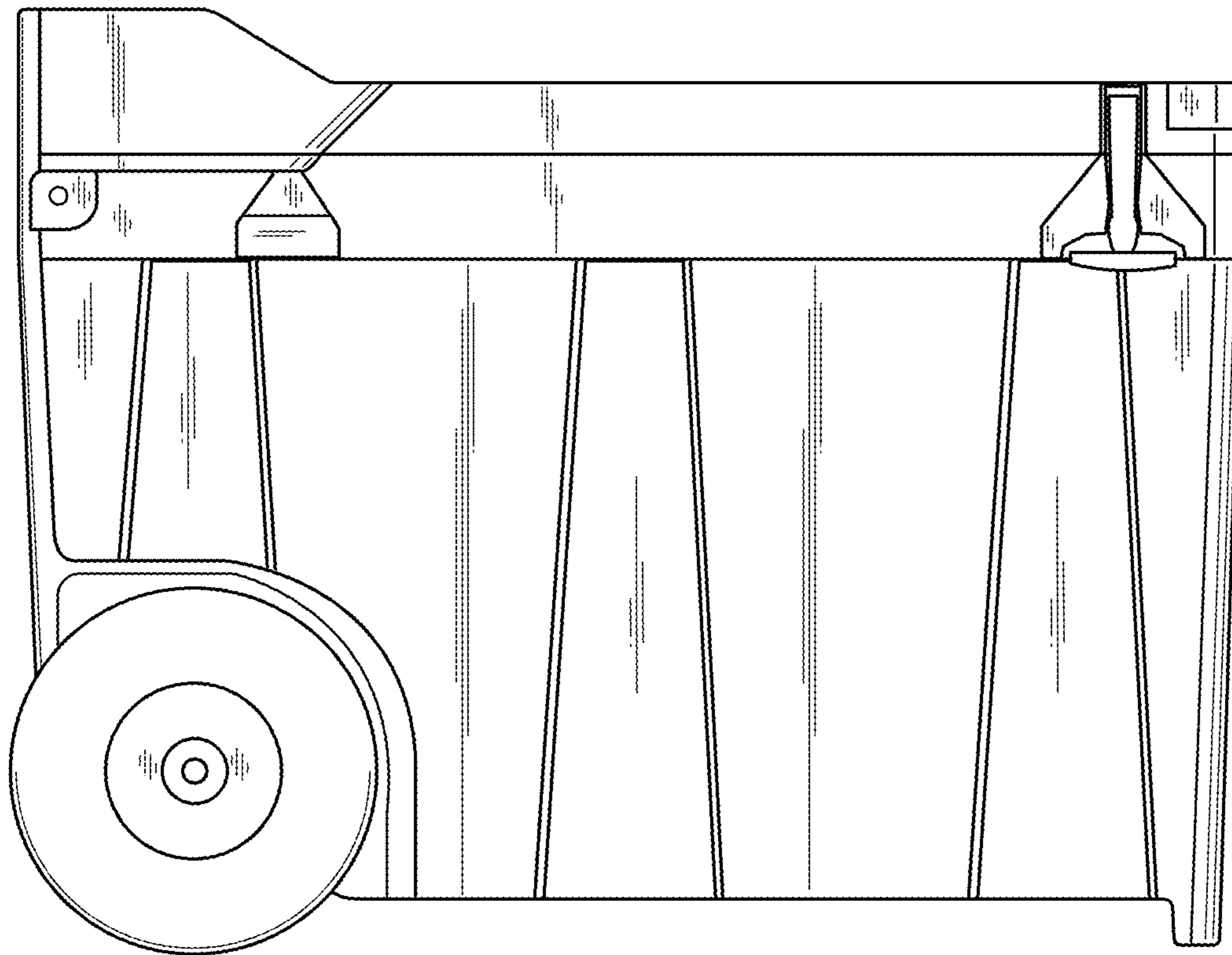


FIG. 4

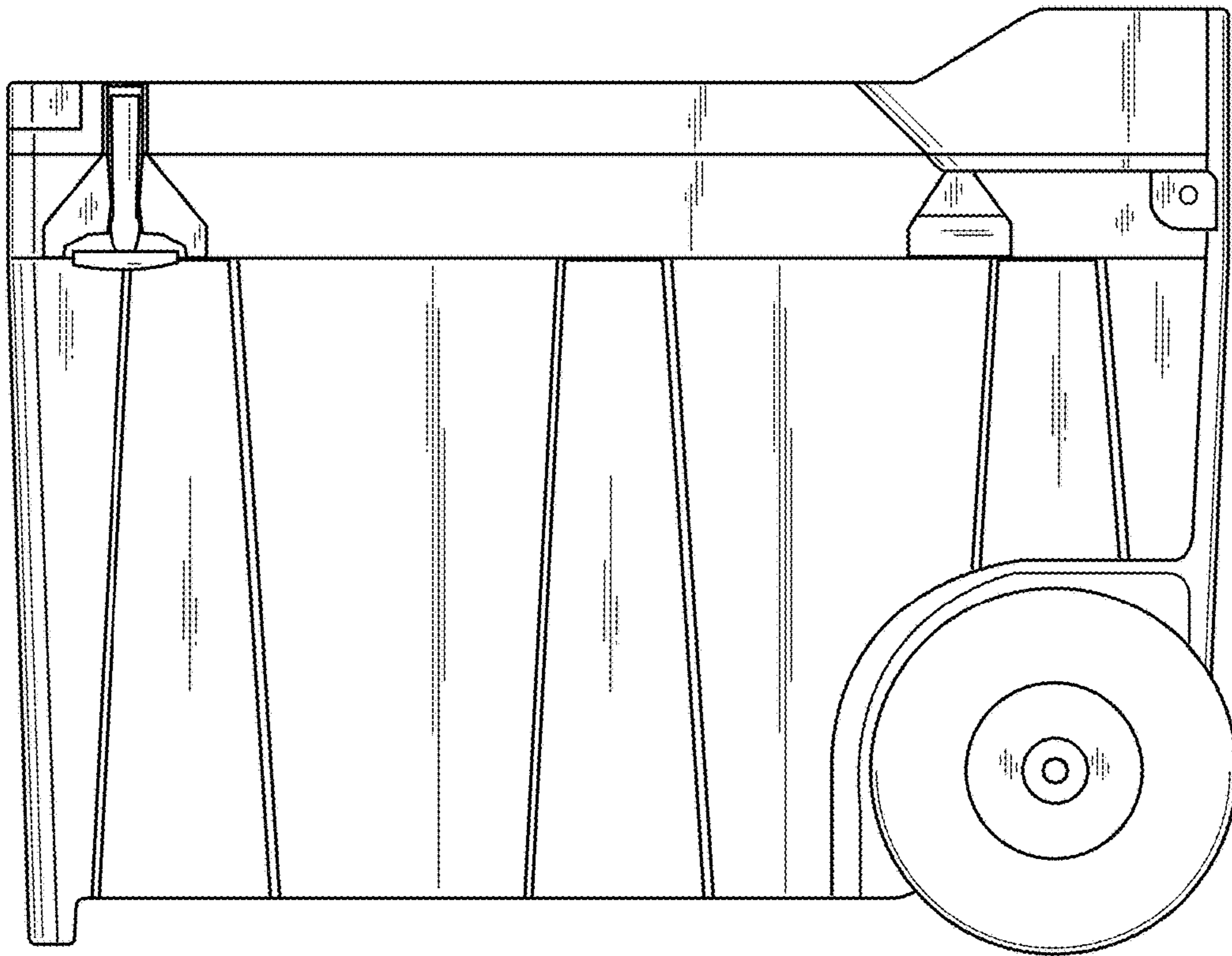


FIG. 5

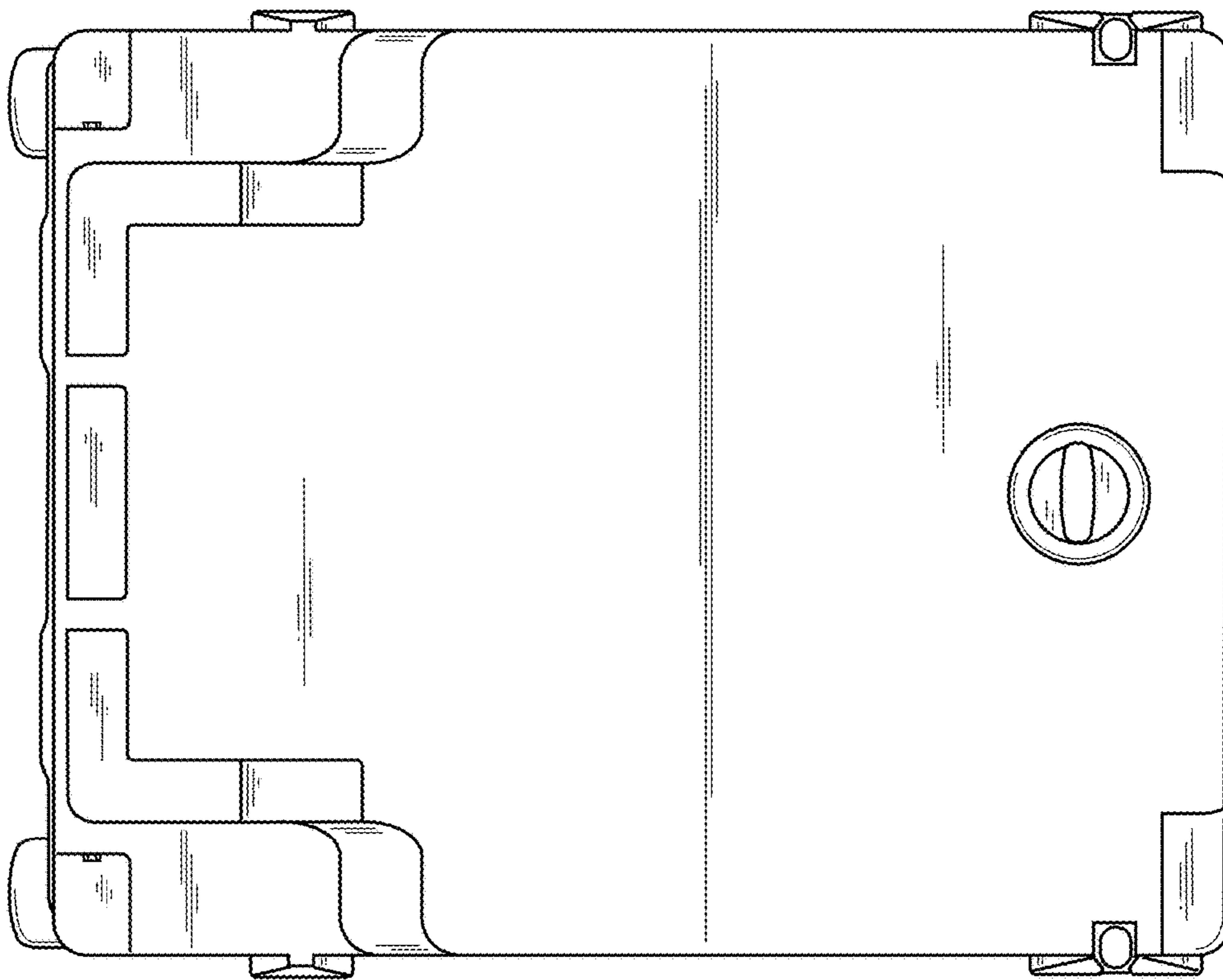


FIG. 6



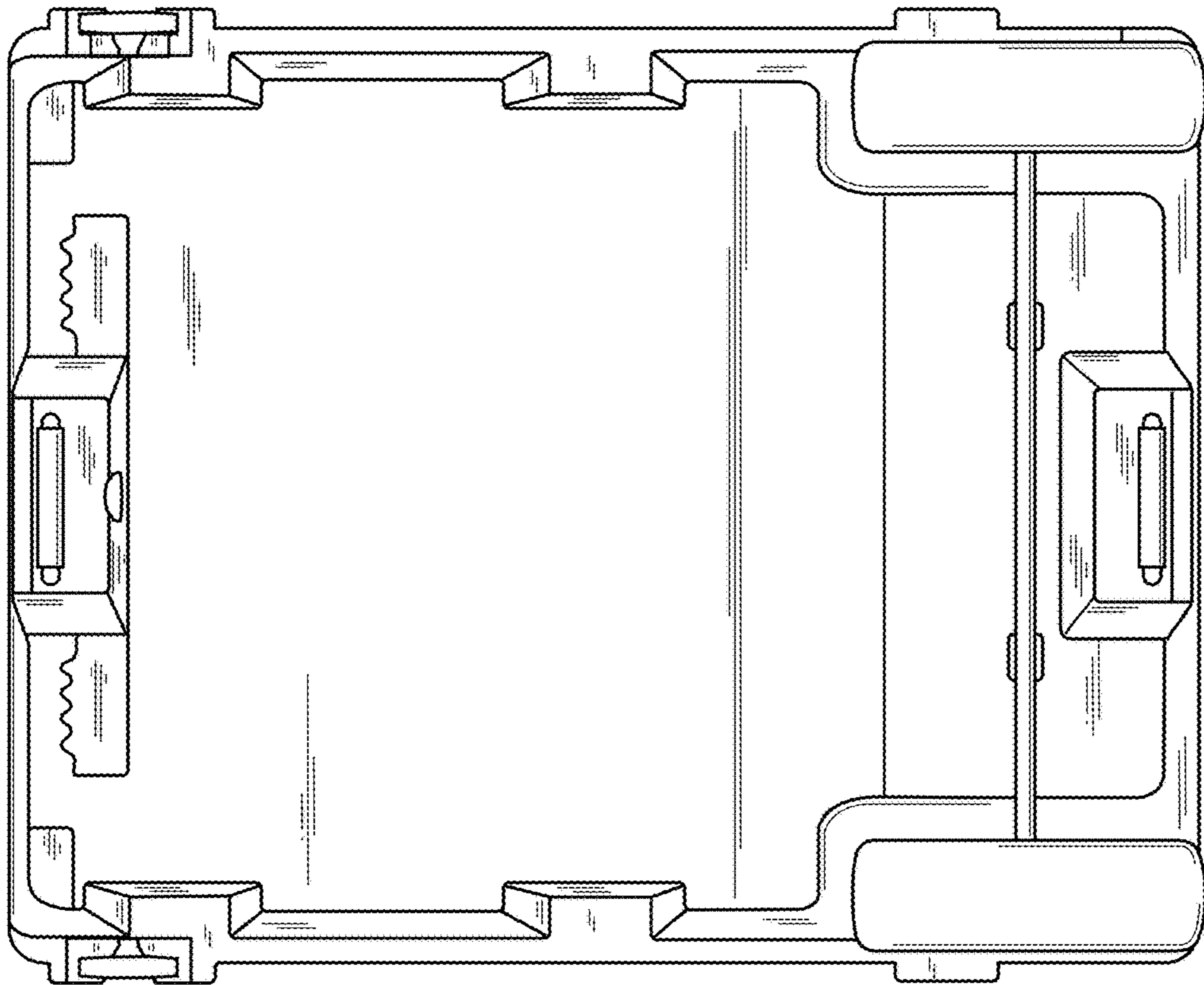


FIG. 7

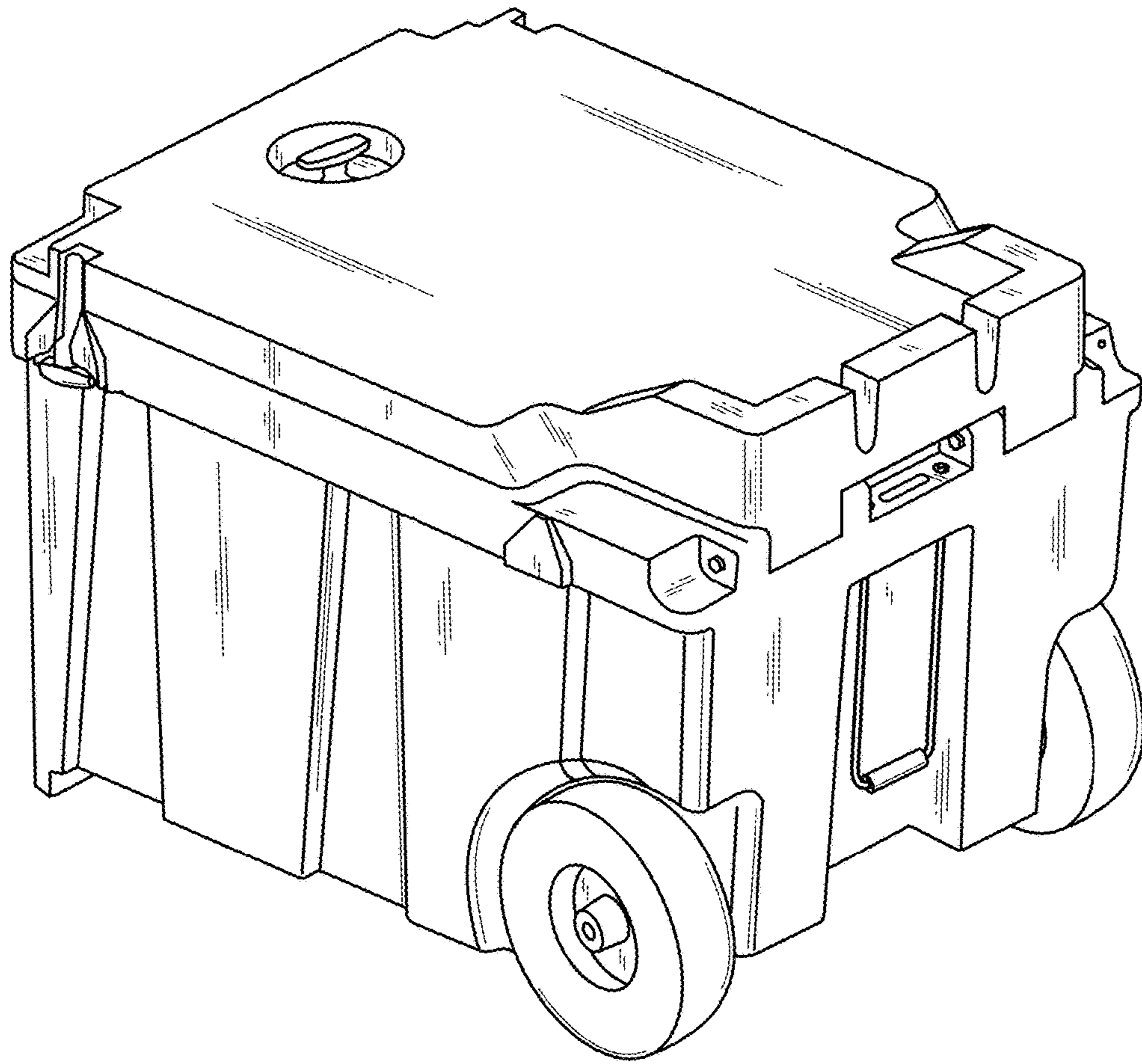


FIG. 8

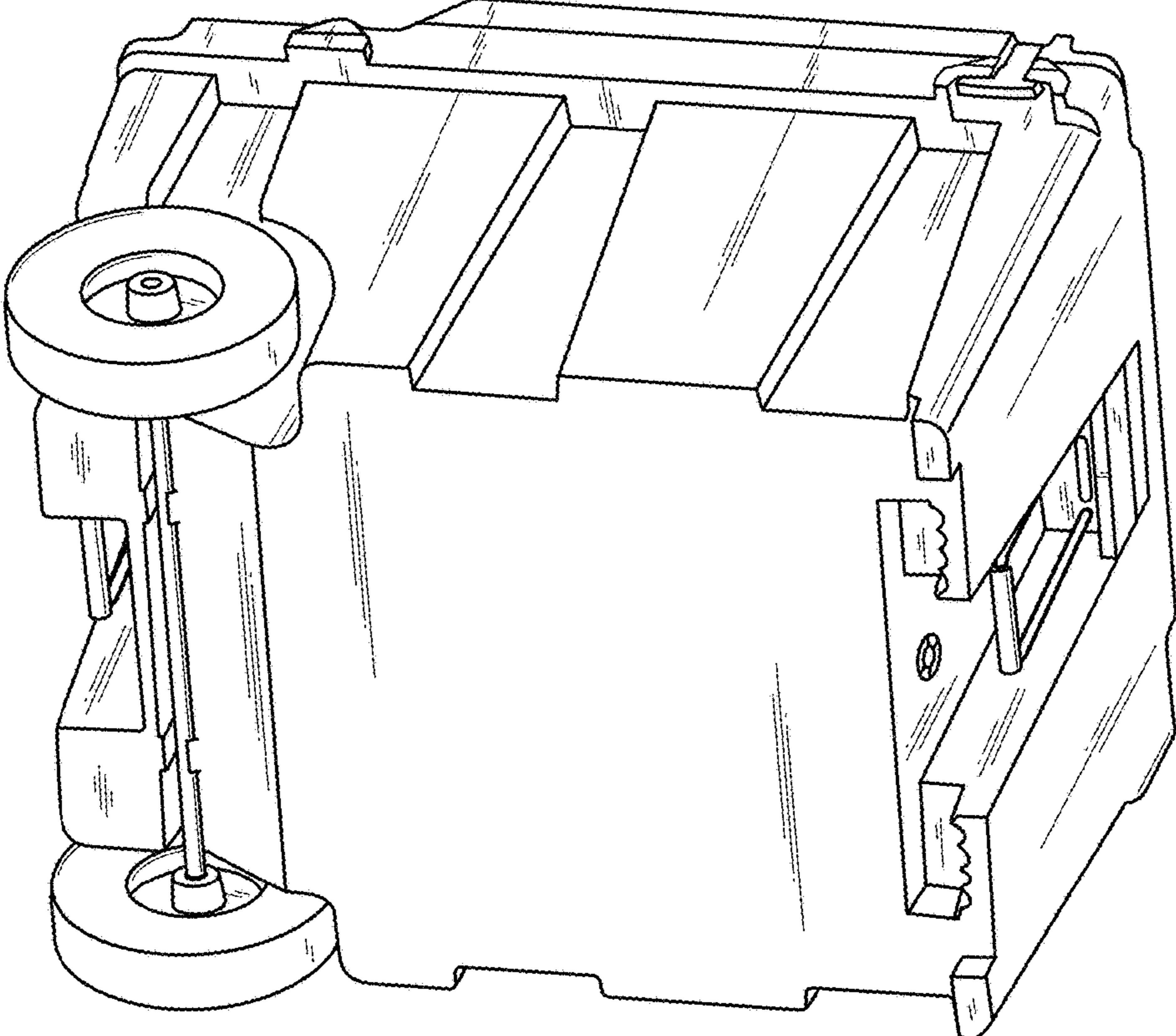


FIG. 9