



US00D808163S

(12) **United States Design Patent**  
**Song**

(10) **Patent No.:** **US D808,163 S**

(45) **Date of Patent:** **\*\* Jan. 23, 2018**

(54) **CAMERA CASE**

(71) Applicant: **Xiaoyi Technology Co., Ltd.**, Pudong  
New District, Shanghai (CN)

(72) Inventor: **Ye Song**, Shanghai (CN)

(73) Assignee: **Xiaoyi Technology Co., Ltd.**, Shanghai  
(CN)

(\*\*) Term: **15 Years**

(21) Appl. No.: **29/533,021**

(22) Filed: **Jul. 13, 2015**

(30) **Foreign Application Priority Data**

Jan. 13, 2015 (CN) ..... 2015 3 0009465

(51) **LOC (11) Cl.** ..... **03-01**

(52) **U.S. Cl.**  
USPC ..... **D3/269**

(58) **Field of Classification Search**

USPC ..... D16/200, 202-206, 208, 218, 219, 242;  
D12/193; D3/267, 269

CPC ..... G03B 17/02; G03B 19/04; G03B 17/56;  
G03B 17/04; G03B 17/03; H04N 5/2251;  
H04N 5/2252; H04N 5/2253; H04N  
5/2254; H04N 7/181; H04N 7/183; H04N  
7/18

See application file for complete search history.

(56) **References Cited**

**U.S. PATENT DOCUMENTS**

D646,313 S \* 10/2011 Woodman ..... D16/200  
D657,808 S \* 4/2012 Woodman ..... D16/200  
D702,747 S \* 4/2014 Woodman ..... D16/200  
D710,921 S \* 8/2014 Gioscia ..... D16/200

D710,922 S \* 8/2014 Gioscia ..... D16/200  
D721,395 S \* 1/2015 Woodman ..... D16/218  
D725,169 S \* 3/2015 Gioscia ..... D16/200  
D734,799 S \* 7/2015 Woodman ..... D16/200  
D739,451 S \* 9/2015 Gioscia ..... D16/200  
D740,868 S \* 10/2015 Gioscia ..... D16/200  
D750,146 S \* 2/2016 Costa ..... D16/200  
D750,680 S \* 3/2016 Chen ..... D16/200  
D750,686 S \* 3/2016 Chen ..... D16/218  
D757,147 S \* 5/2016 Edwards ..... D16/208  
D760,309 S \* 6/2016 Parfitt ..... D16/202  
D763,941 S \* 8/2016 Smith ..... D16/200  
D764,559 S \* 8/2016 Luo ..... D16/202  
D766,351 S \* 9/2016 Li ..... D16/202  
D772,322 S \* 11/2016 Zhang ..... D16/200  
D775,254 S \* 12/2016 Parfitt ..... D16/202  
D778,335 S \* 2/2017 Gioscia ..... D16/200  
D780,244 S \* 2/2017 Wang ..... D16/200

\* cited by examiner

*Primary Examiner* — Sandra Snapp

*Assistant Examiner* — Holly E Thurman

(74) *Attorney, Agent, or Firm* — Finnegan, Henderson,  
Farabow, Garrett & Dunner, LLP

(57) **CLAIM**

The ornamental design for a camera case, as shown and  
described in the figures.

**DESCRIPTION**

FIG. 1 is a front, right, top perspective view of a camera case  
showing my new design;

FIG. 2 is a rear, top, left perspective view thereof;

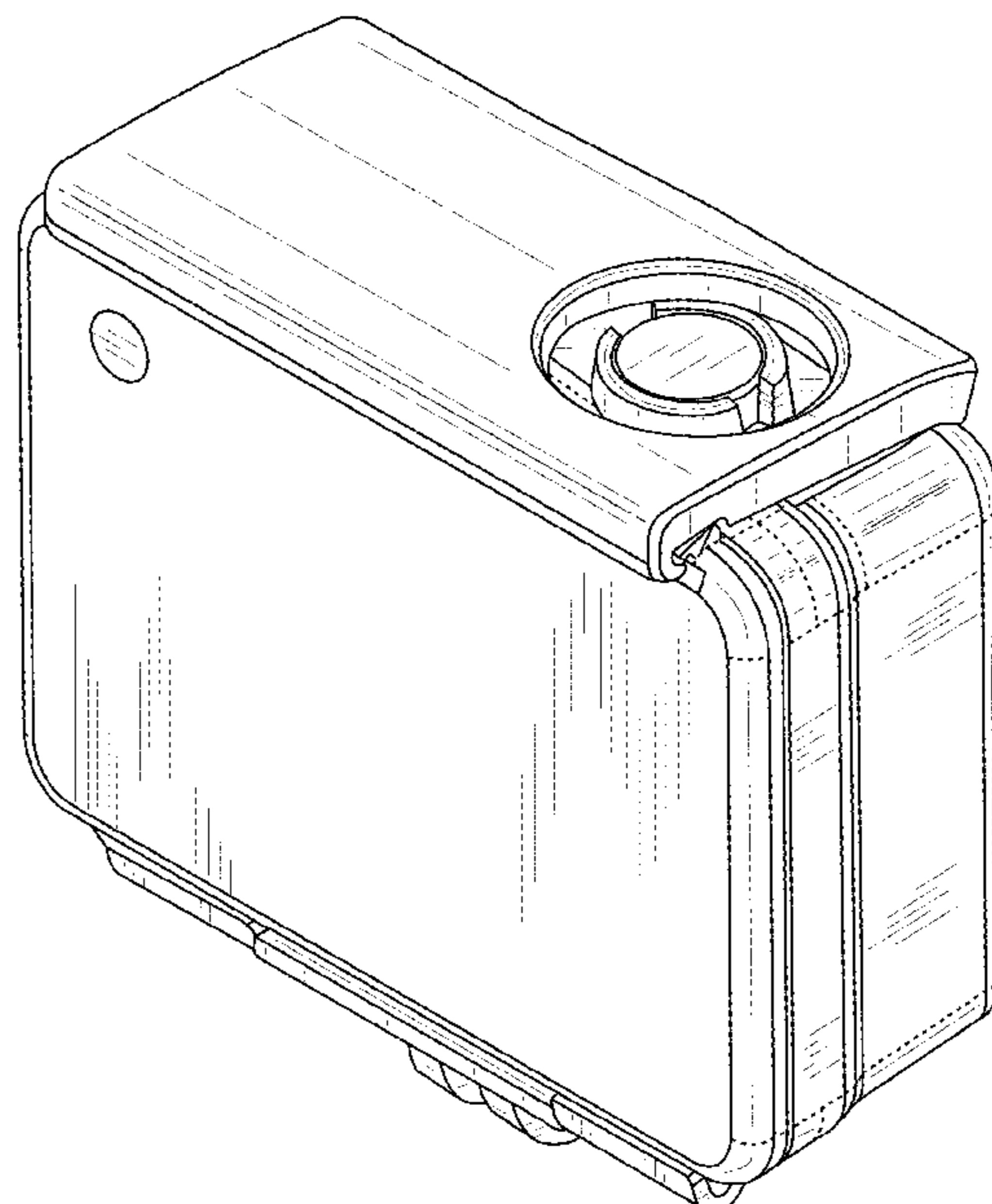
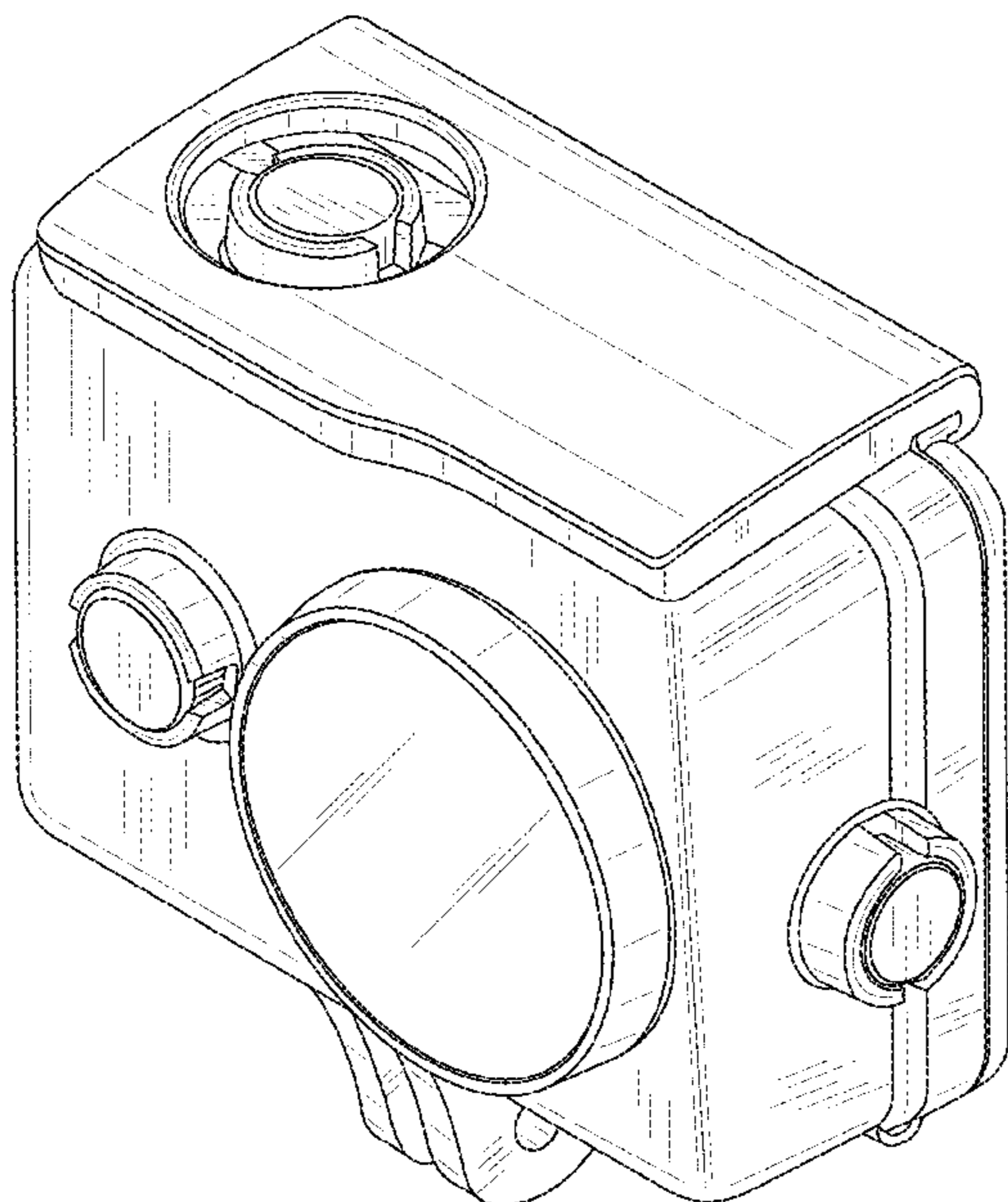
FIG. 3 is a front elevation view thereof;

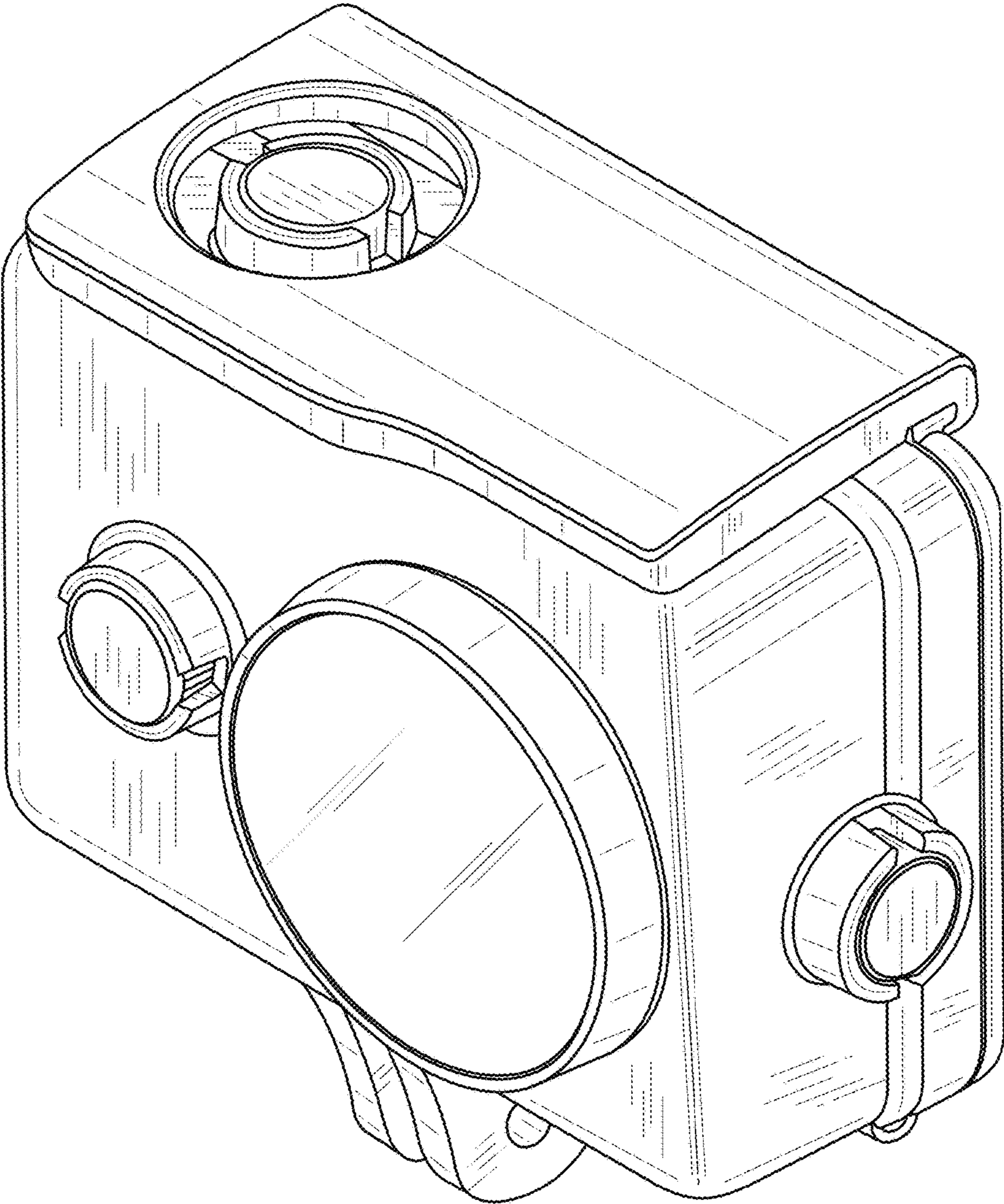
FIG. 4 is a rear elevation view thereof; and,

FIG. 5 is bottom plan view thereof.

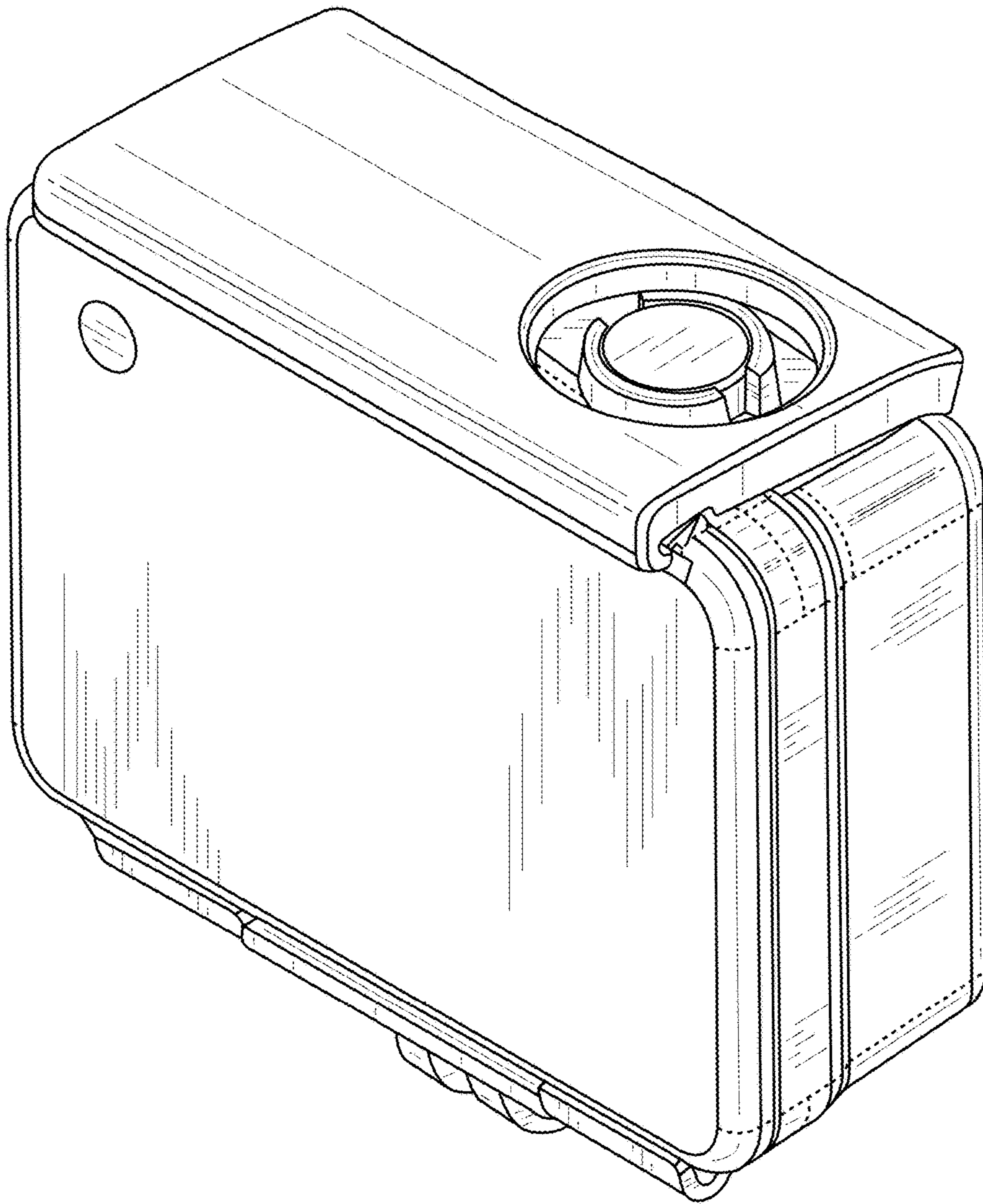
The broken lines shown in the drawings illustrate portions of  
the camera case that form no part of the claimed design.

**1 Claim, 5 Drawing Sheets**

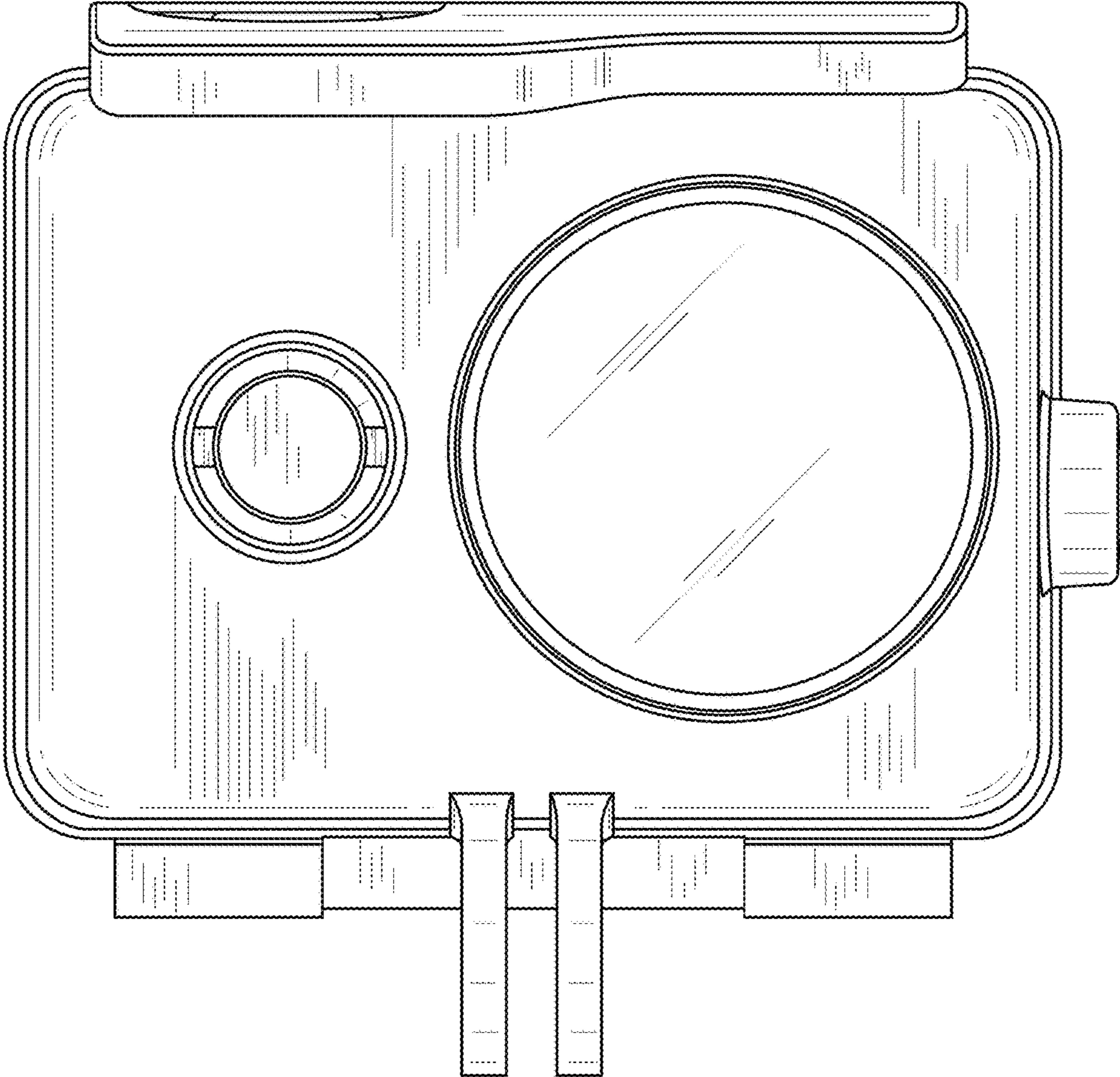




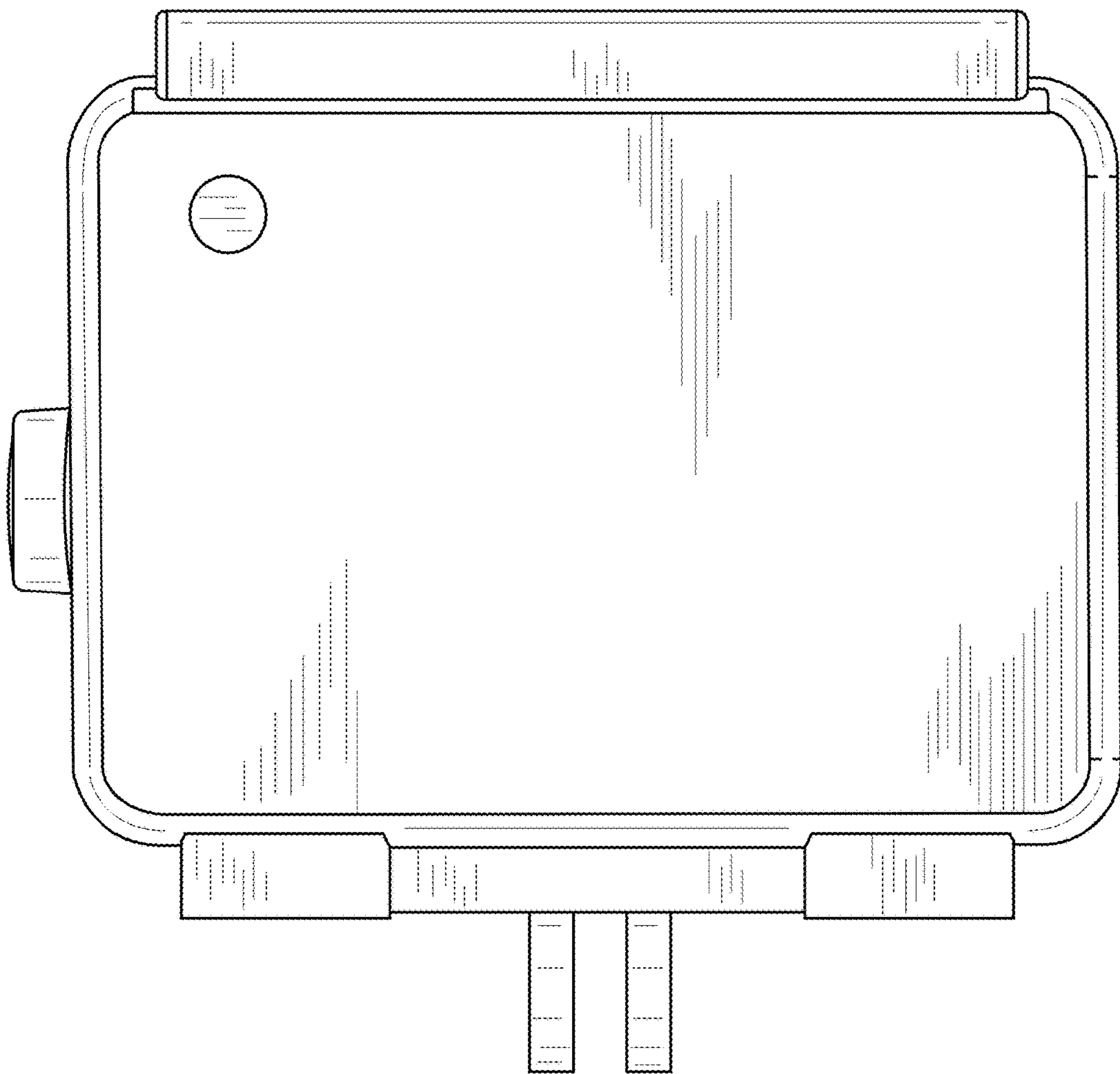
**FIG. 1**



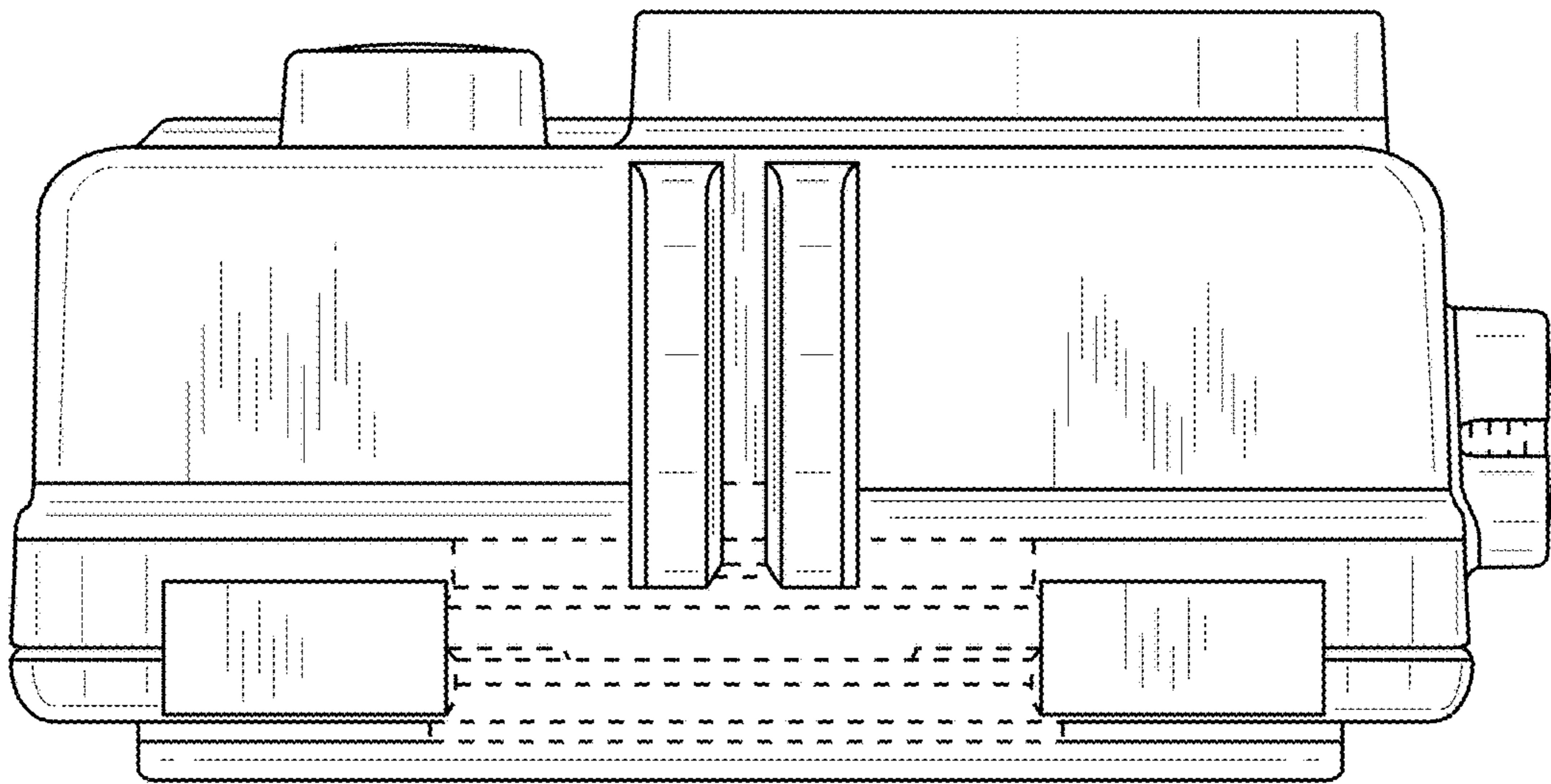
**FIG. 2**



**FIG. 3**



**FIG. 4**



**FIG. 5**