



US00D808162S

(12) **United States Design Patent**
Viger et al.

(10) **Patent No.:** **US D808,162 S**
(45) **Date of Patent:** **** Jan. 23, 2018**

(54) **SLING BAG**

(71) Applicant: **Peak Design**, San Francisco, CA (US)

(72) Inventors: **Arthur Viger**, San Francisco, CA (US);
Peter Dering, San Francisco, CA (US);
Robb Jankura, San Francisco, CA
(US); **Joseph Cunningham**, San
Francisco, CA (US); **Peter Lockett**, San
Francisco, CA (US)

(73) Assignee: **Peak Design**, San Francisco, CA (US)

(**) Term: **15 Years**

(21) Appl. No.: **29/570,861**

(22) Filed: **Jul. 12, 2016**

(51) **LOC (11) Cl.** **03-01**

(52) **U.S. Cl.**
USPC **D3/267**

(58) **Field of Classification Search**
USPC D3/201, 205, 206, 226, 231-247, 258,
D3/273, 299, 301, 303, 318, 901, 903,
D3/263, 267, 268; D12/409
CPC A45C 13/02; A45C 13/04; A45C 13/06;
A45C 13/08; A45C 13/26; A45C 1/024;
A45C 7/0077; A45C 3/04; A45C 3/06
See application file for complete search history.

(56) **References Cited**

U.S. PATENT DOCUMENTS

D291,149 S *	8/1987	Smith	D3/287
D340,574 S *	10/1993	Weinreb	D3/268
D459,876 S *	7/2002	Smith	D3/226
D530,089 S *	10/2006	Silverman	D3/287
D624,312 S *	9/2010	Chu	D3/243
D651,794 S *	1/2012	Hargens	D3/232
D703,431 S *	4/2014	Taylor	D3/243
D722,228 S *	2/2015	Zwetzig	D3/232

D725,908 S *	4/2015	Zwetzig	D3/283
D742,634 S *	11/2015	Zwetzig	D3/232
2003/0234269 A1 *	12/2003	Shamas	A43B 5/0425 224/576

FOREIGN PATENT DOCUMENTS

CN 201330251246 * 6/2013

OTHER PUBLICATIONS

Amazon, Chrome Unisex Niko Sling, available Apr. 27, 2013,
[online], [site visited on Aug. 1, 2017]. Available from Internet,
URL: <https://www.amazon.com/Chrome-Unisex-Sling-Black-Lumbar/dp/B00AZHCBM8>.*

(Continued)

Primary Examiner — Sheryl Lane

Assistant Examiner — Samantha N Wood

(74) *Attorney, Agent, or Firm* — Grumbles Law PLLC;
Brittany Nanzig

(57) **CLAIM**

The ornamental design for a sling bag, as shown and described.

DESCRIPTION

FIG. 1 is a perspective top view of a sling bag showing our new design.

FIG. 2 is a back elevational view of the sling bag.

FIG. 3 is a perspective left side view of the sling bag.

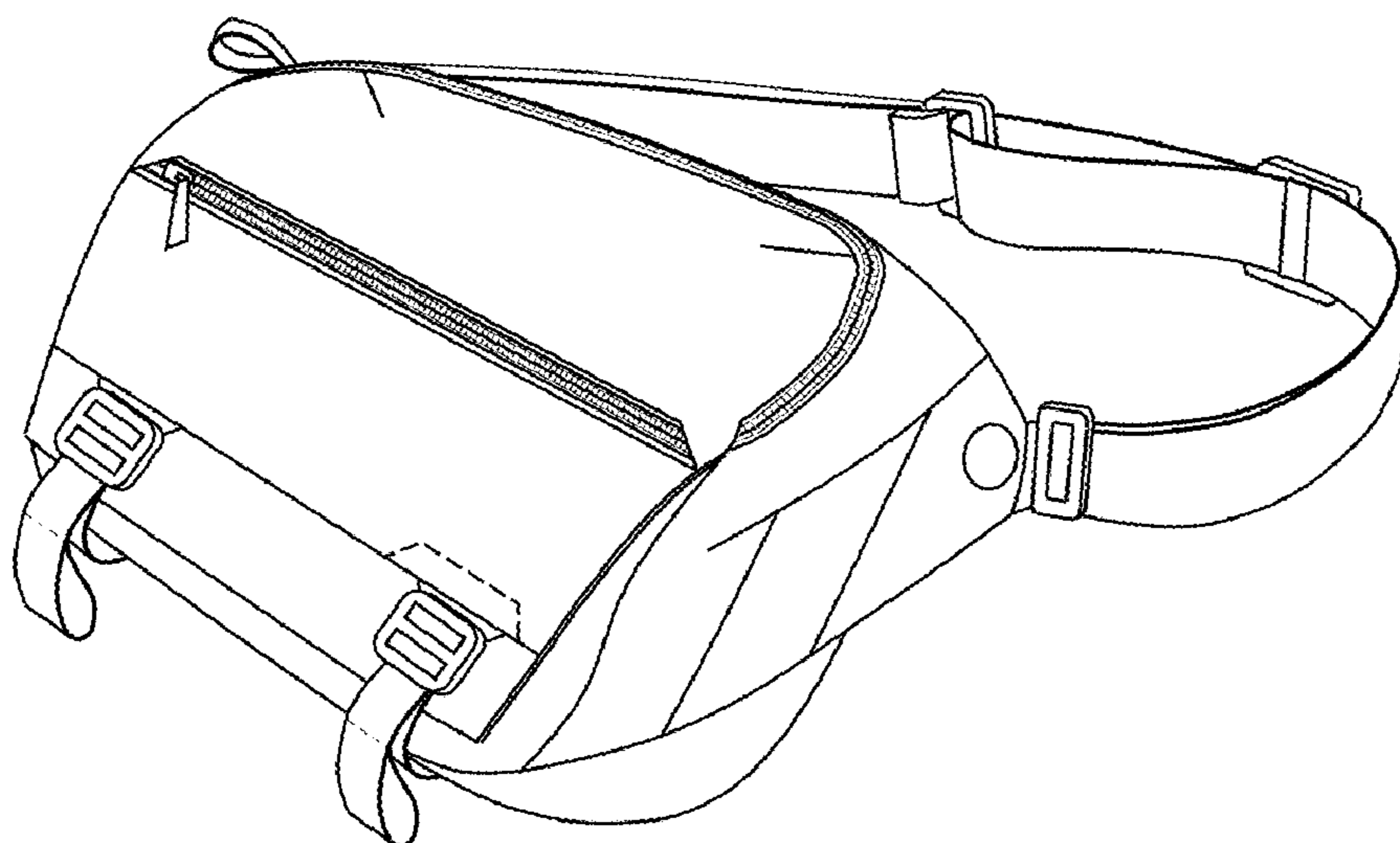
FIG. 4 is a perspective right side view of the sling bag.

FIG. 5 is a perspective bottom view of the sling bag; and,

FIG. 6 is a perspective back view of the sling bag.

The lighter broken lines depict stitching and form part of the claimed design. The bolder broken lines in the drawings depict parts of the tote bag that form no part of the claimed design.

1 Claim, 2 Drawing Sheets



(56)

References Cited

OTHER PUBLICATIONS

Notcot, Incase DSLR Sling Pack Camera Bags, posted on Apr. 9, 2012, [online], [site visited on Aug. 1, 2017]. Available from Internet, URL: <http://www.notcot.com/archives/2012/04/incase-dslr-sling-pack-camera.php>.*

Amazon, ZLYC Vintage style DSLR Camera Shoulder Bag, available on Jun. 25, 2014, [online], [site visited on Aug. 1, 2017]. Available from Internet, URL: <https://www.amazon.com/dp/B00OIHTHWS?psc=1>.*

Amazon, Thule TPCS101 Perspektiv Compact Sling Bag, available on Oct. 21, 2014, [online], [site visited on Aug. 1, 2017]. Available from Internet, URL: https://www.amazon.co.uk/d/5fn/Thule-TPCS101-Perspektiv-Compact-Sling-Bag-Camera/B00KIDK9KU/ref=sr_1__1?ie=UTF8&qid=1501616166&sr=8-1&keywords=Thule+Perspektiv+Compact+Sling.*

* cited by examiner

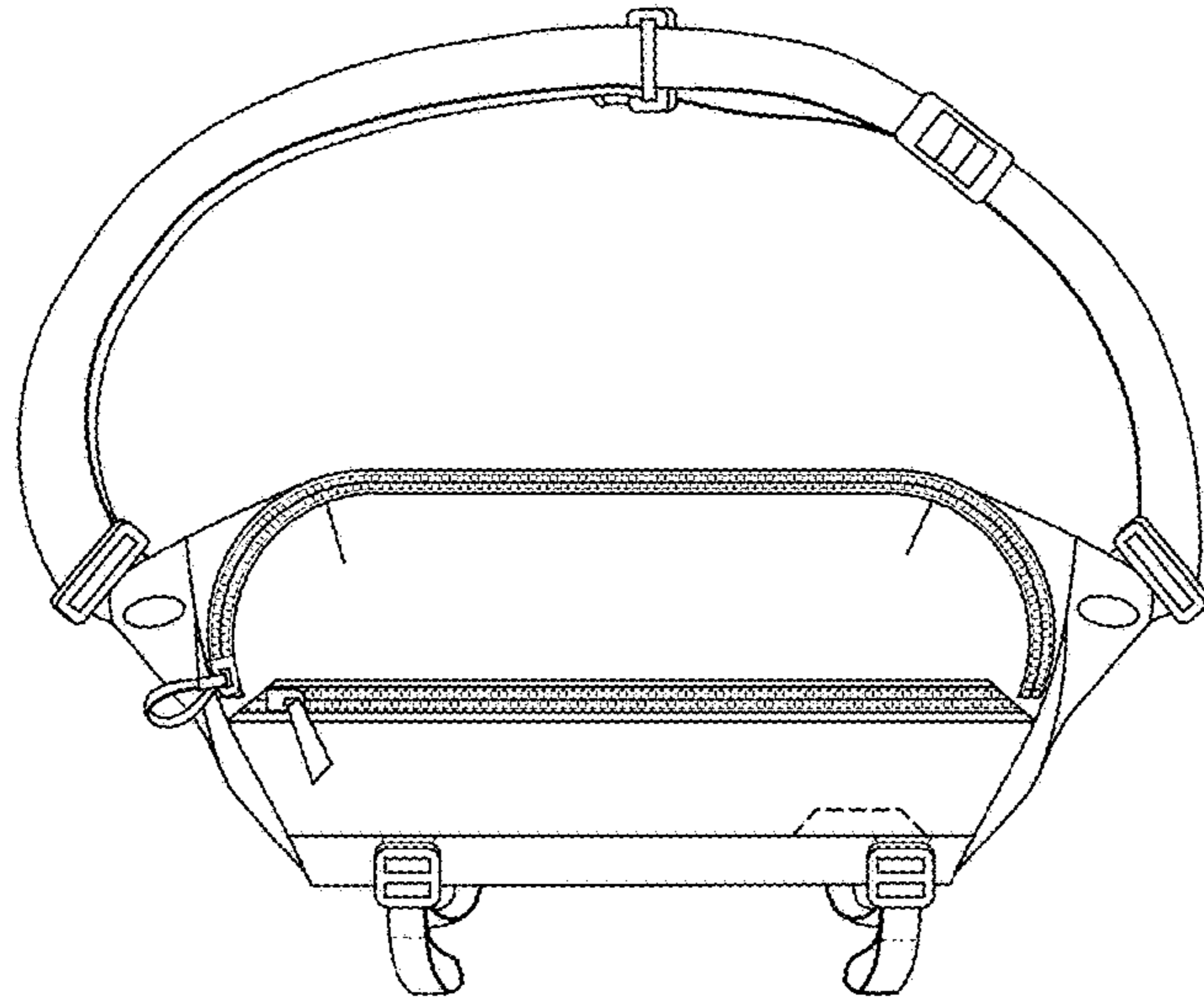


FIG. 1

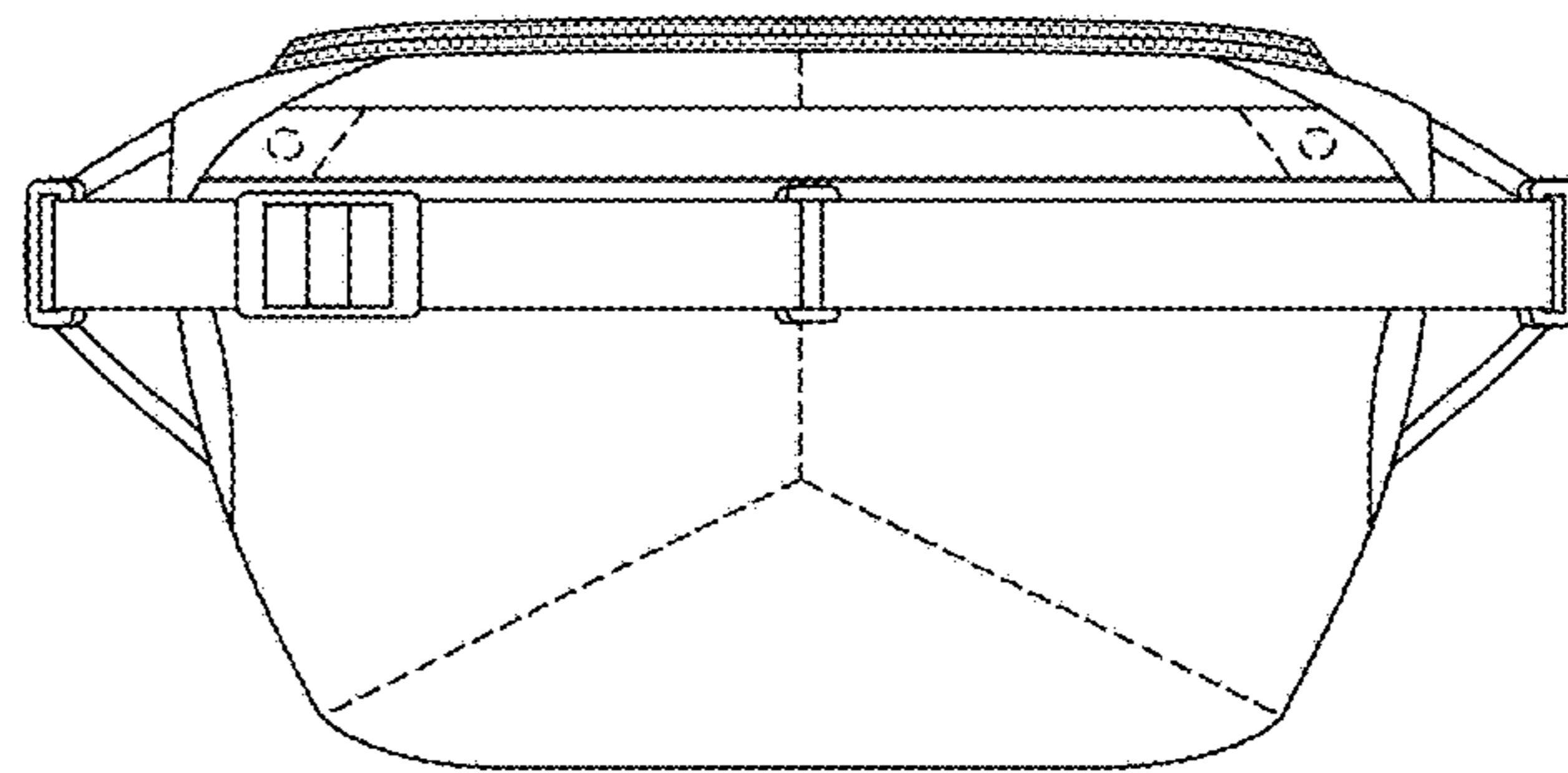


FIG. 2

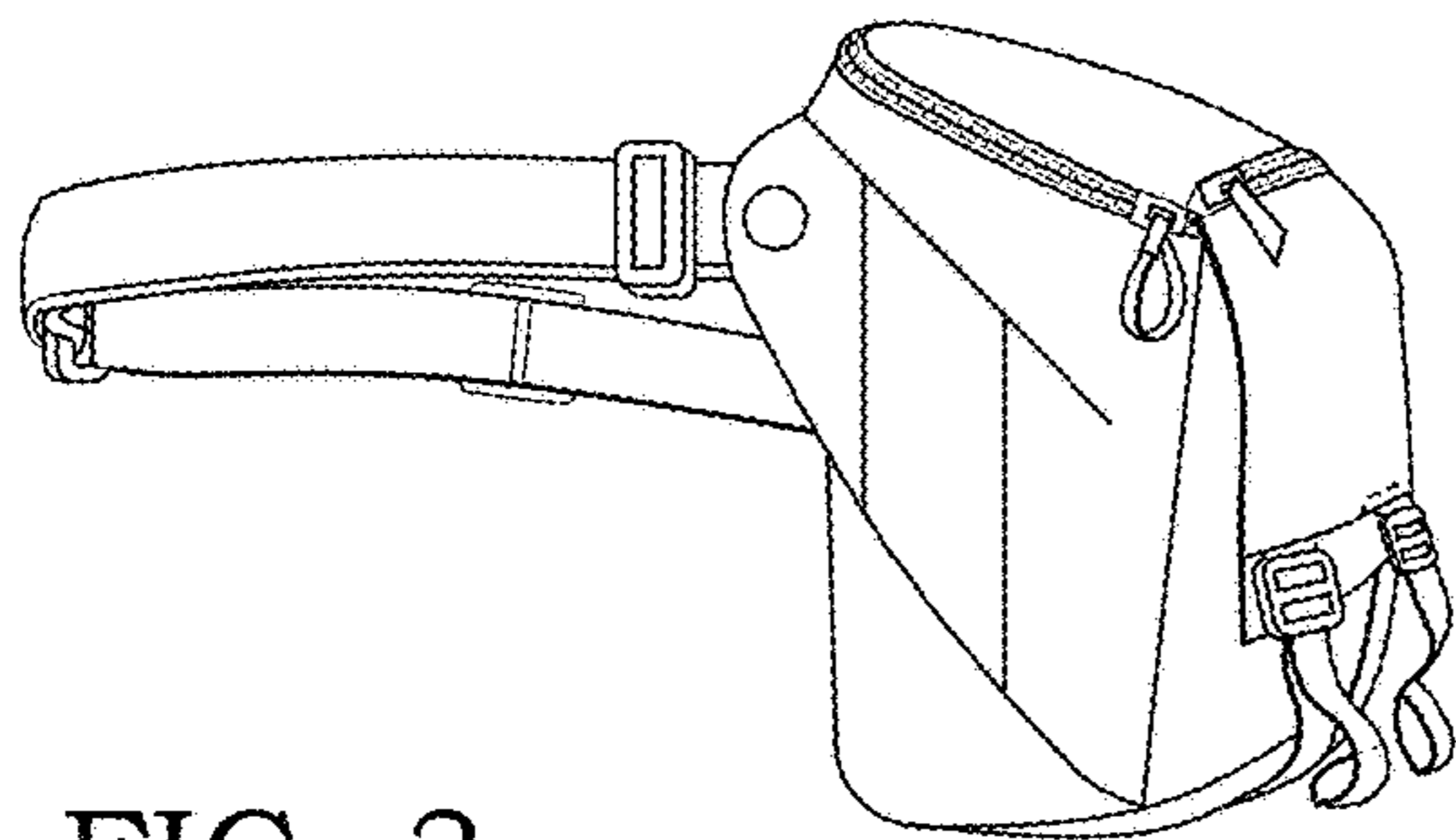


FIG. 3

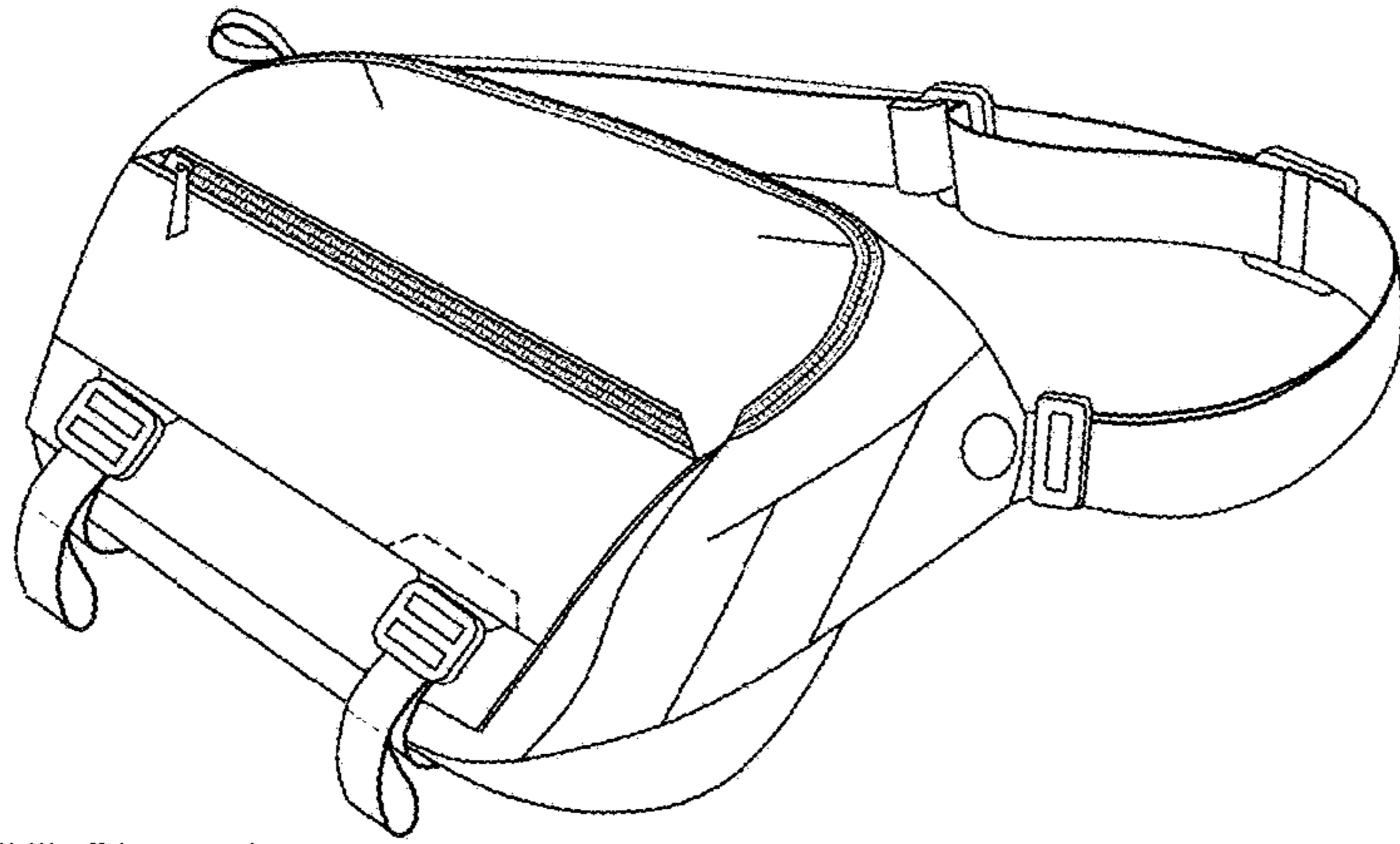


FIG. 4

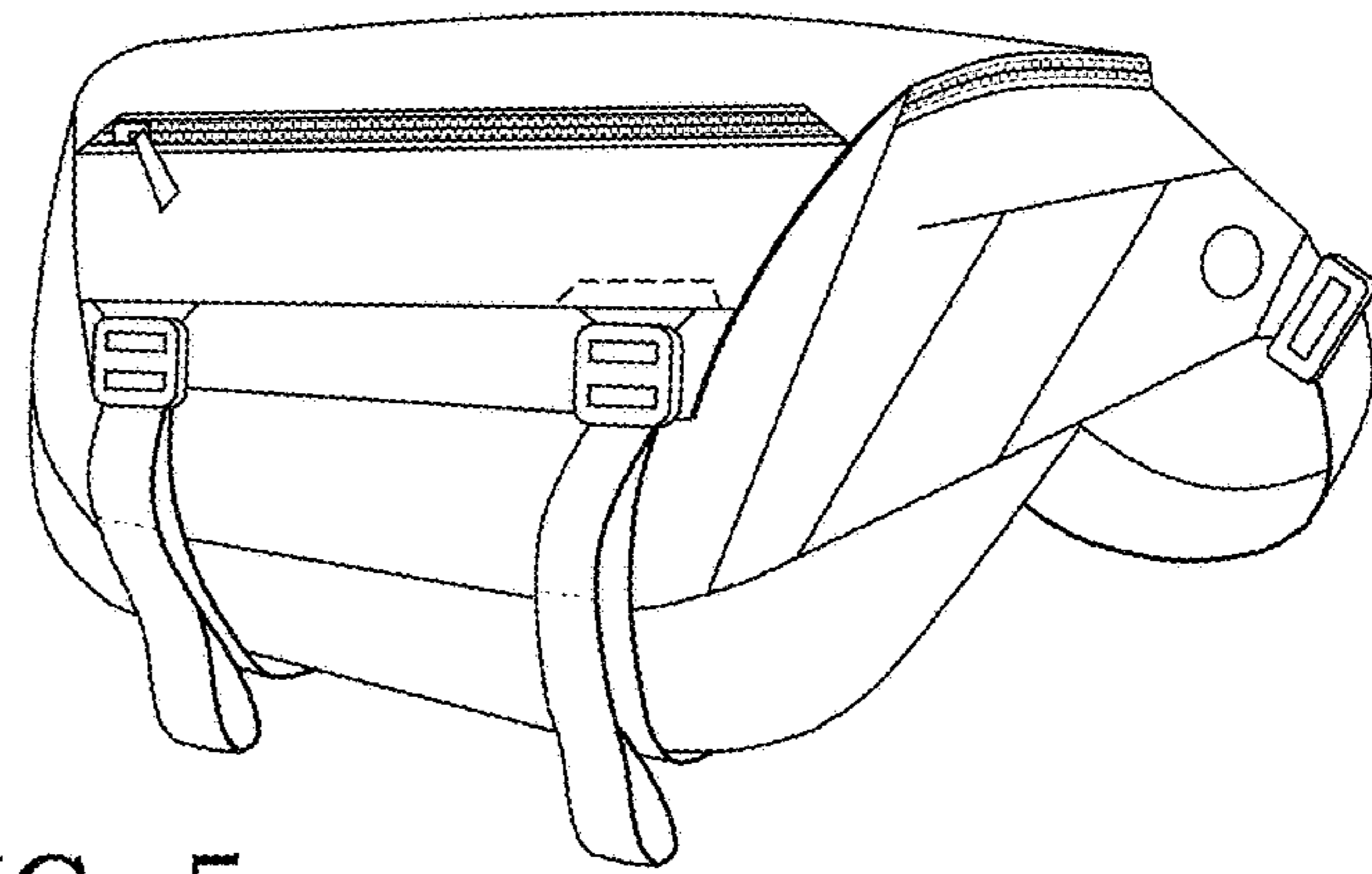


FIG. 5

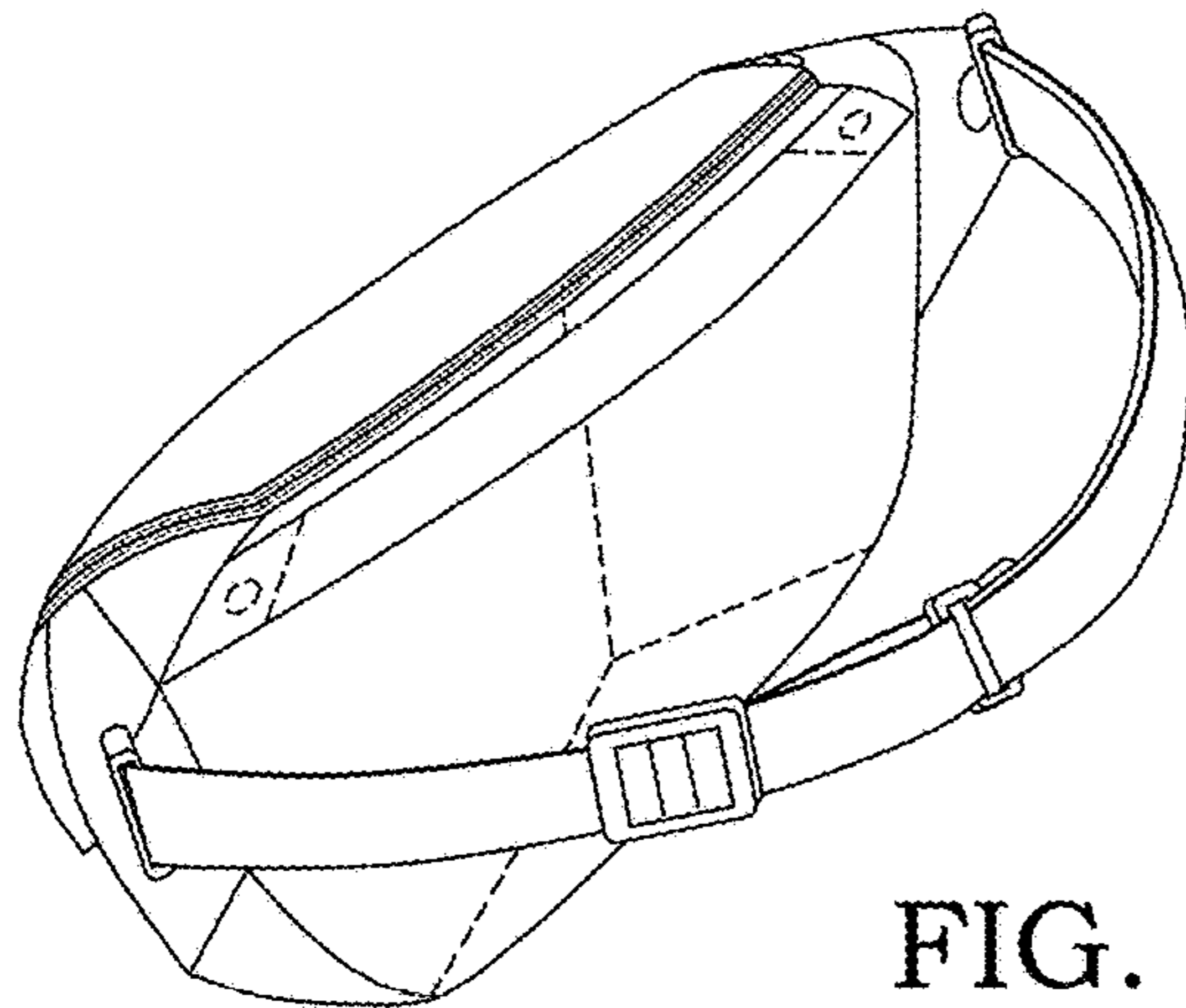


FIG. 6

UNITED STATES PATENT AND TRADEMARK OFFICE
CERTIFICATE OF CORRECTION

PATENT NO. : D808,162 S
APPLICATION NO. : 29/570861
DATED : January 23, 2018
INVENTOR(S) : Arthur Viger et al.

Page 1 of 1


It is certified that error appears in the above-identified patent and that said Letters Patent is hereby corrected as shown below:

On the Title Page

Column 2, in the Description, Lines 8-11 should read:

--The bolder broken lines in the drawings depict parts of the sling bag that form no part of the claimed design.--

Signed and Sealed this
Sixth Day of November, 2018



Andrei Iancu
Director of the United States Patent and Trademark Office