



US00D808161S

(12) **United States Design Patent**  
**Herring**

(10) **Patent No.:** **US D808,161 S**  
(45) **Date of Patent:** **\*\* Jan. 23, 2018**

(54) **CAMERA CASE**

(71) Applicant: **Scott Herring**, Georgetown, CA (US)

(72) Inventor: **Scott Herring**, Georgetown, CA (US)

(\*\*) Term: **14 Years**

(21) Appl. No.: **29/512,263**

(22) Filed: **Dec. 17, 2014**

(51) **LOC (11) Cl.** ..... **03-01**

(52) **U.S. Cl.**  
USPC ..... **D3/267**

(58) **Field of Classification Search**  
USPC ..... D3/204, 219, 252, 263–267, 271.9, 904  
CPC ..... A45C 11/04; A45C 11/005; A45C 11/38;  
A45C 11/06; A45C 2011/001; G02C  
3/04; A47F 7/021

See application file for complete search history.

(56) **References Cited**

**U.S. PATENT DOCUMENTS**

D334,397 S *	3/1993	Kohno	396/27
D338,330 S *	8/1993	Kohno	D16/204
D367,283 S *	2/1996	Lyon	D16/200
D419,296 S *	1/2000	Shinano	D16/204
6,138,826 A *	10/2000	Kanamori	A45C 11/38 206/316.2
6,715,939 B2 *	4/2004	Ford	G03B 17/00 348/143
D652,212 S *	1/2012	Takayanagi	D3/263
D709,286 S *	7/2014	Takayanagi	D3/263
D710,922 S *	8/2014	Gioscia	D16/200
D725,169 S *	3/2015	Gioscia	D16/200
D740,875 S *	10/2015	Woodman	D16/219

\* cited by examiner

*Primary Examiner* — Mary Ann Calabrese

*Assistant Examiner* — Sloan Rozin

(74) *Attorney, Agent, or Firm* — Ian Burns; ATIP Law

(57) **CLAIM**

An ornamental design for a camera case, as shown and described.

**DESCRIPTION**

FIG. 1 is a front perspective view of the camera case in an attached condition of use.

FIG. 2 is a front view of the camera case in an attached condition of use.

FIG. 3 is a rear view of the camera case in an attached condition of use.

FIG. 4 is a side view of the camera case in an attached condition of use.

FIG. 5 is an opposite side view of the camera case in an attached condition of use.

FIG. 6 is a top view of the camera case in an attached condition of use.

FIG. 7 is a bottom view of the camera case in an attached condition of use.

FIG. 8 is a front perspective view of the camera case in a separated condition of use.

FIG. 9 is a front view of the camera case in a separated condition of use.

FIG. 10 is a rear view of the camera case in a separated condition of use.

FIG. 11 is a side view of the camera case in a separated condition of use.

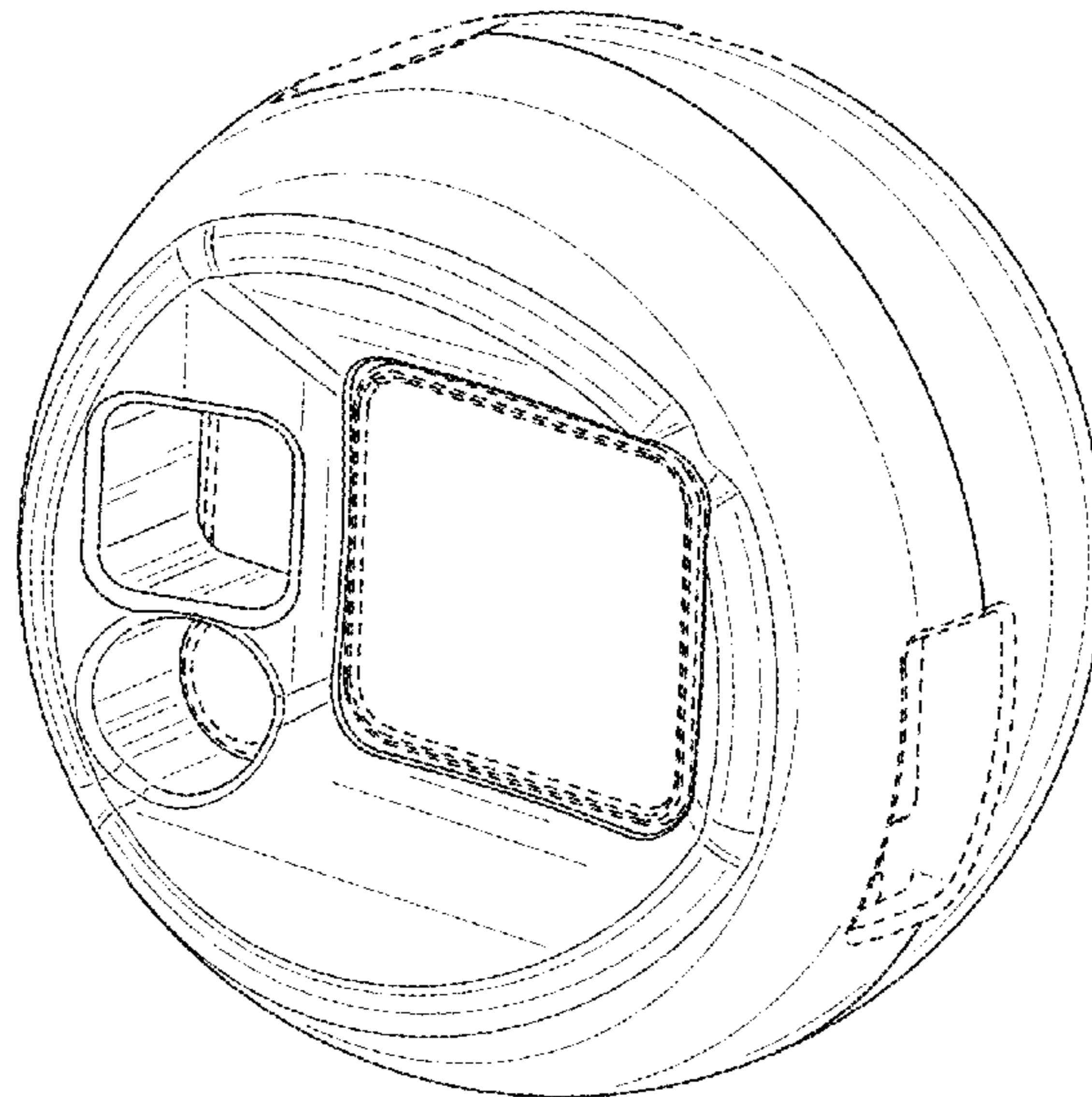
FIG. 12 is an opposite side view of the camera case in a separated condition of use.

FIG. 13 is a top view of the camera case in a separated condition of use; and,

FIG. 14 is a bottom view of the camera case in a separated condition of use.

The broken line showing of elements on the camera case illustrate portions of the article and form no part of the claimed design. The broken lines showing the camera illustrate environment and form no part of the claimed design.

**1 Claim, 14 Drawing Sheets**



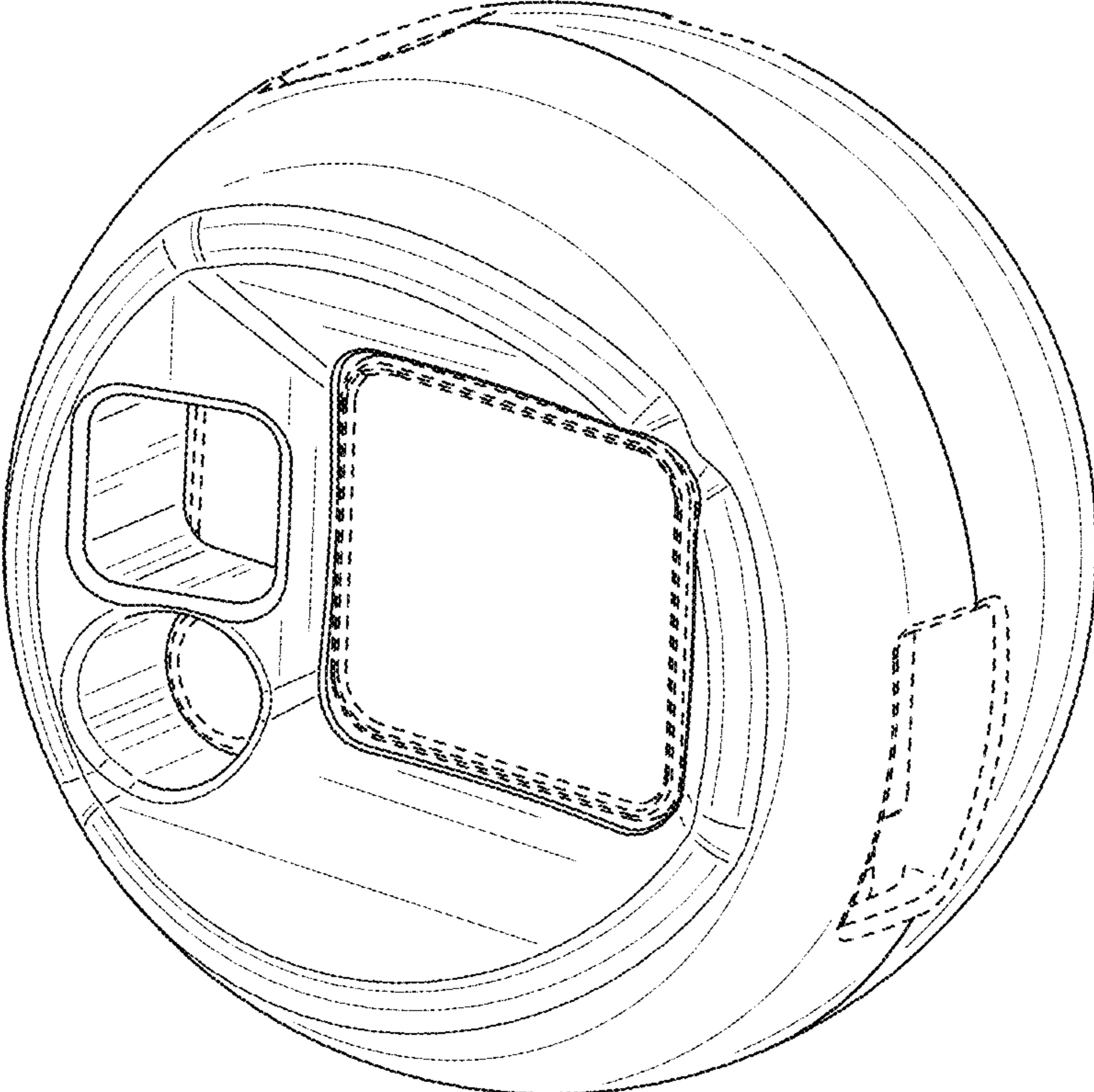


FIG. 1

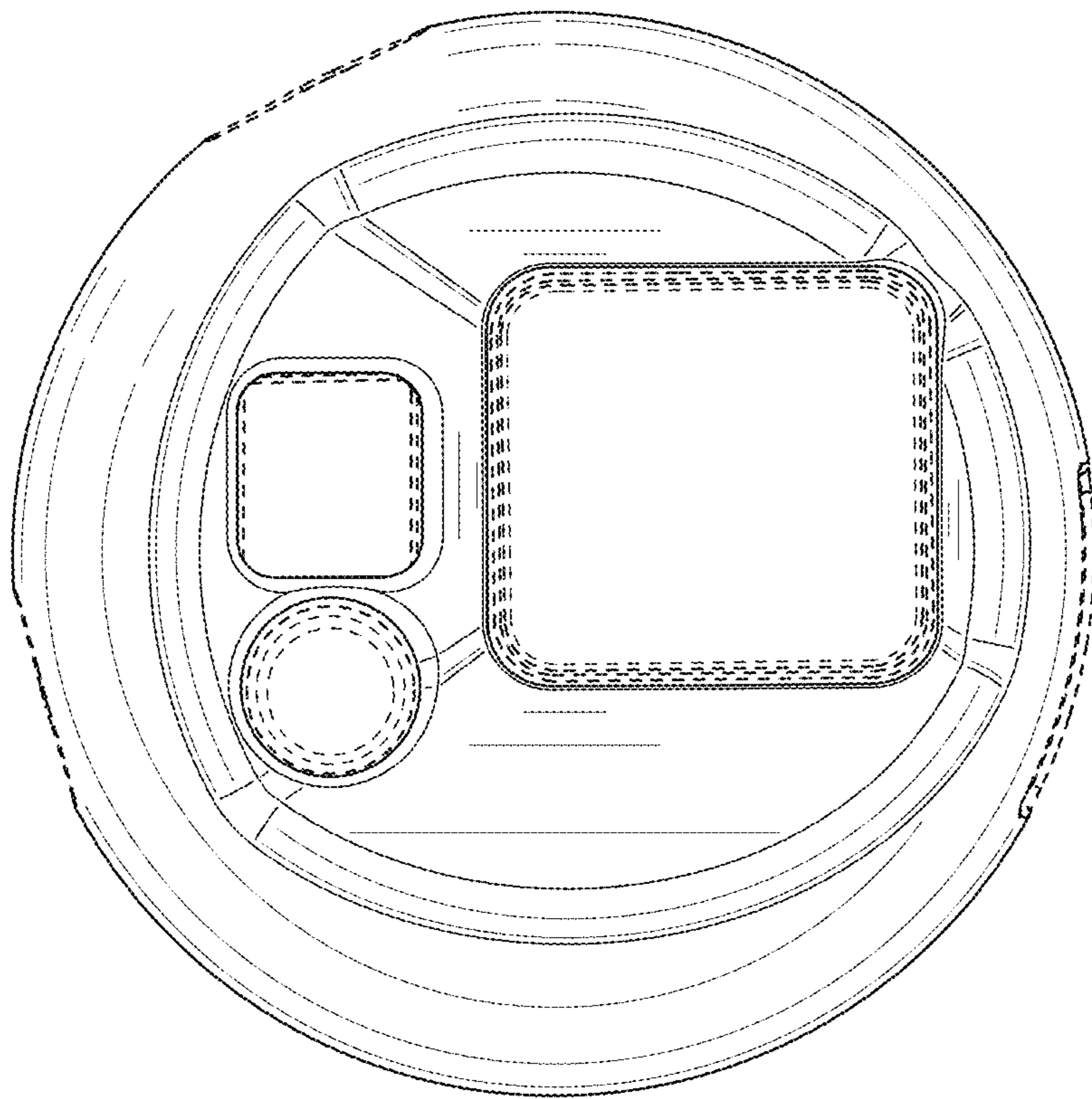


FIG. 2

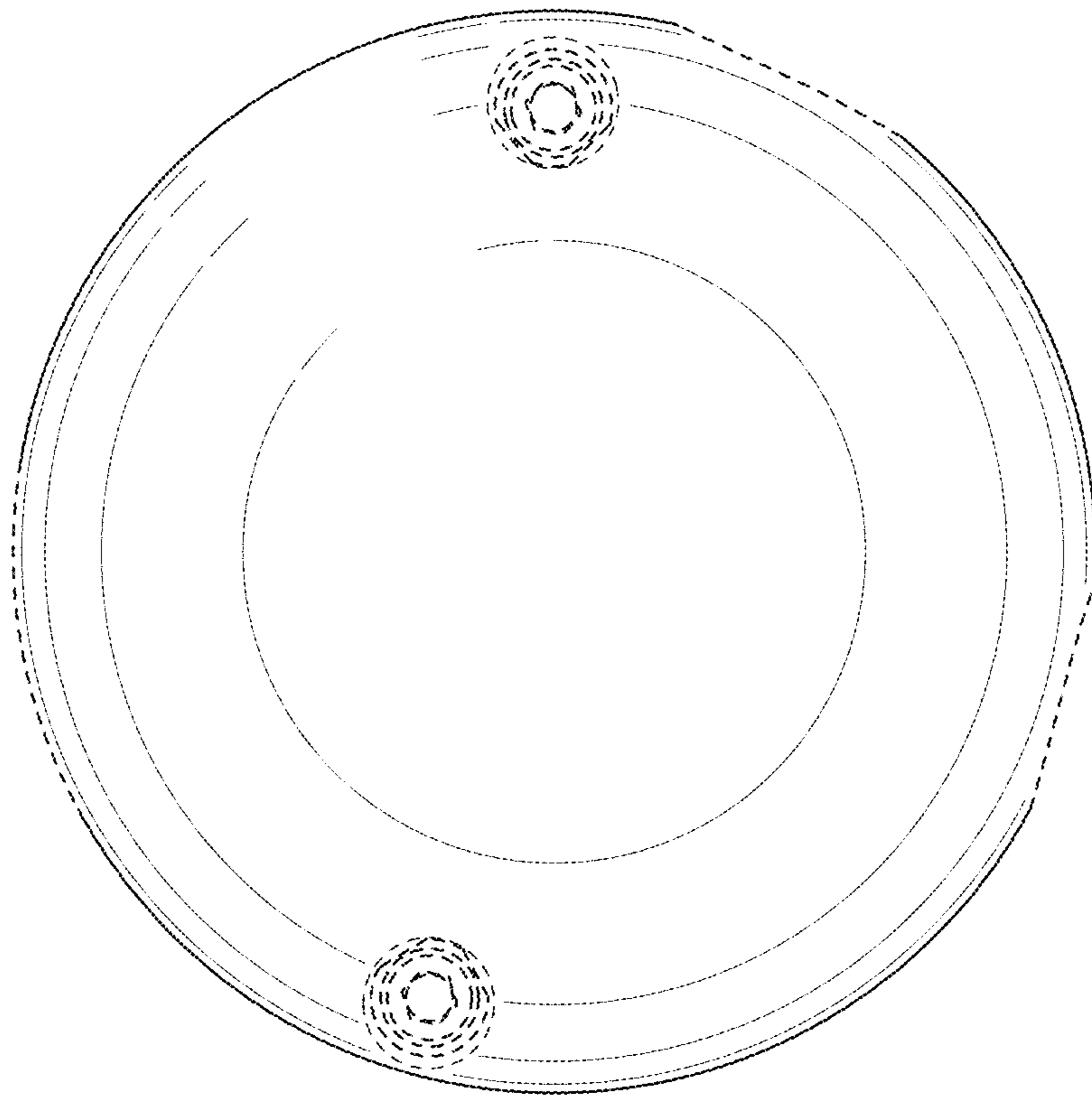


FIG. 3

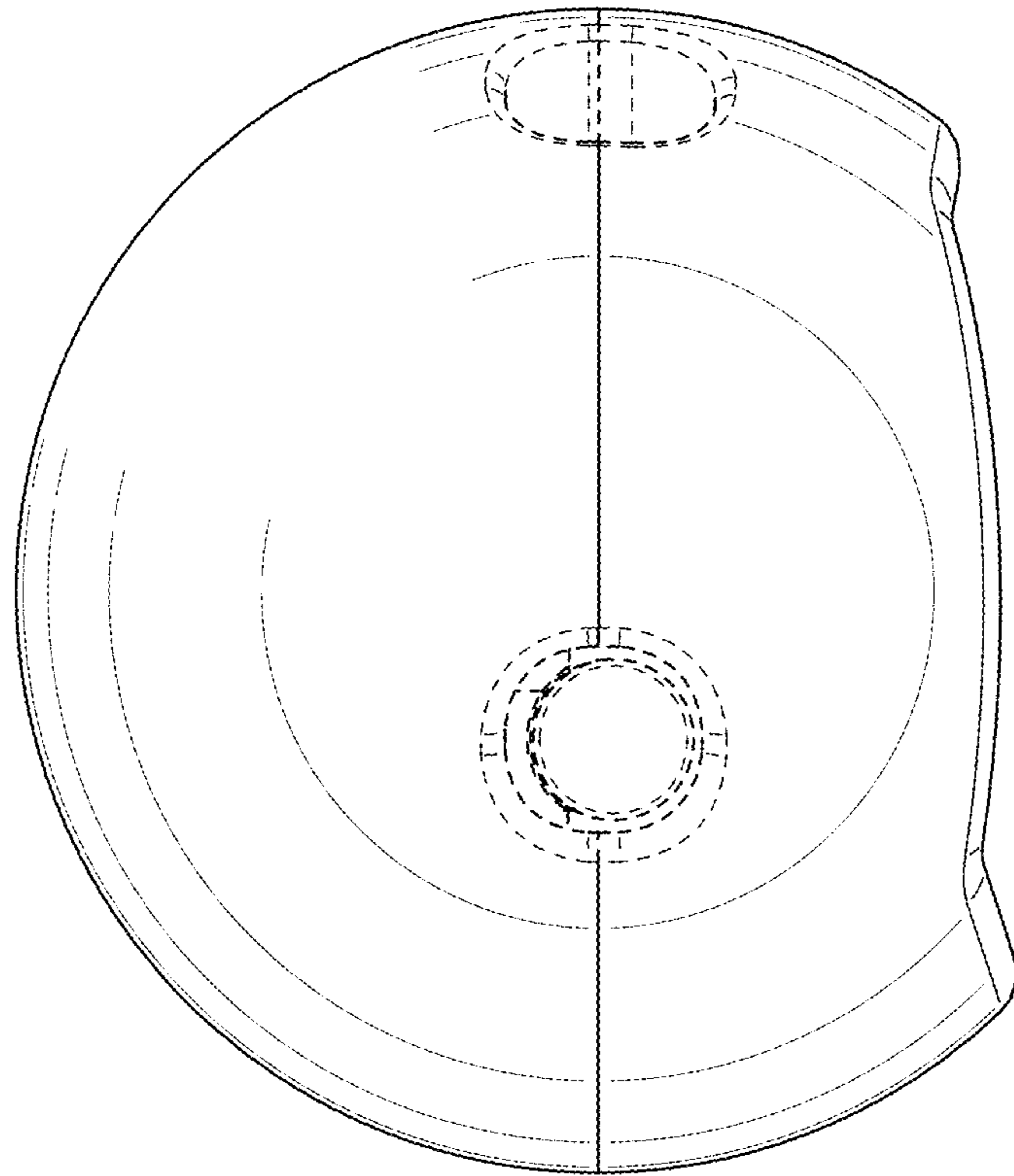


FIG. 4

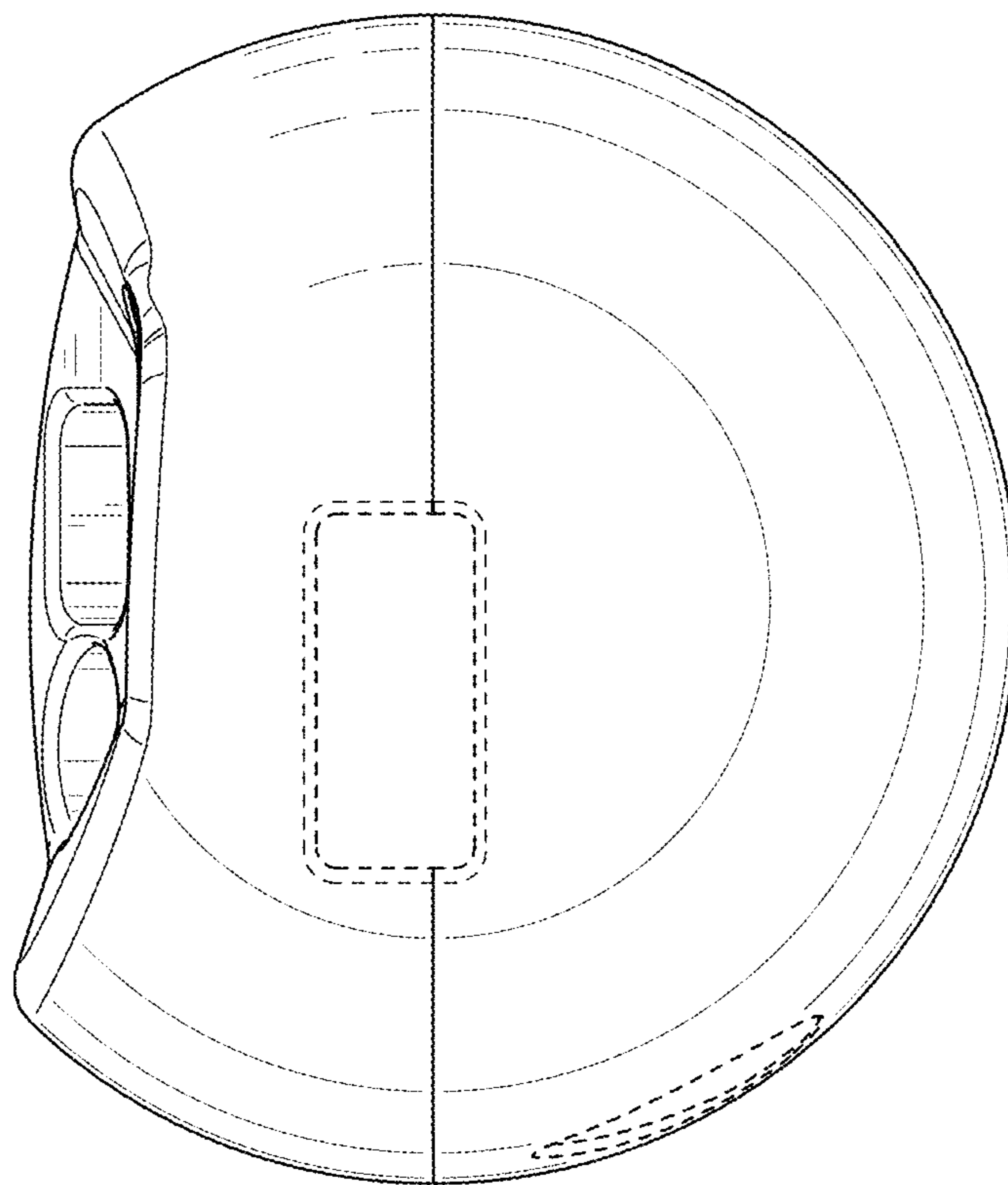


FIG. 5

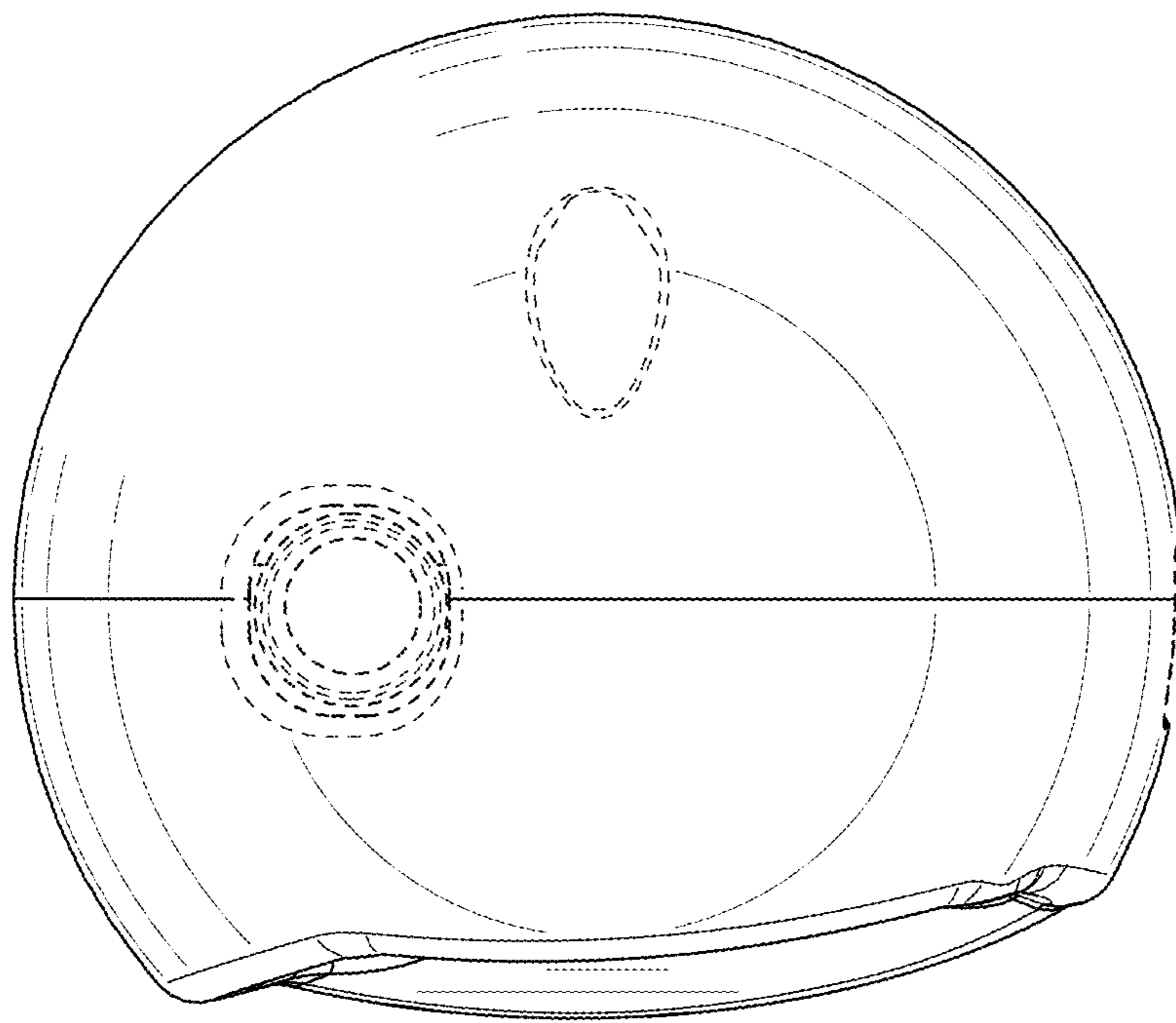


FIG. 6

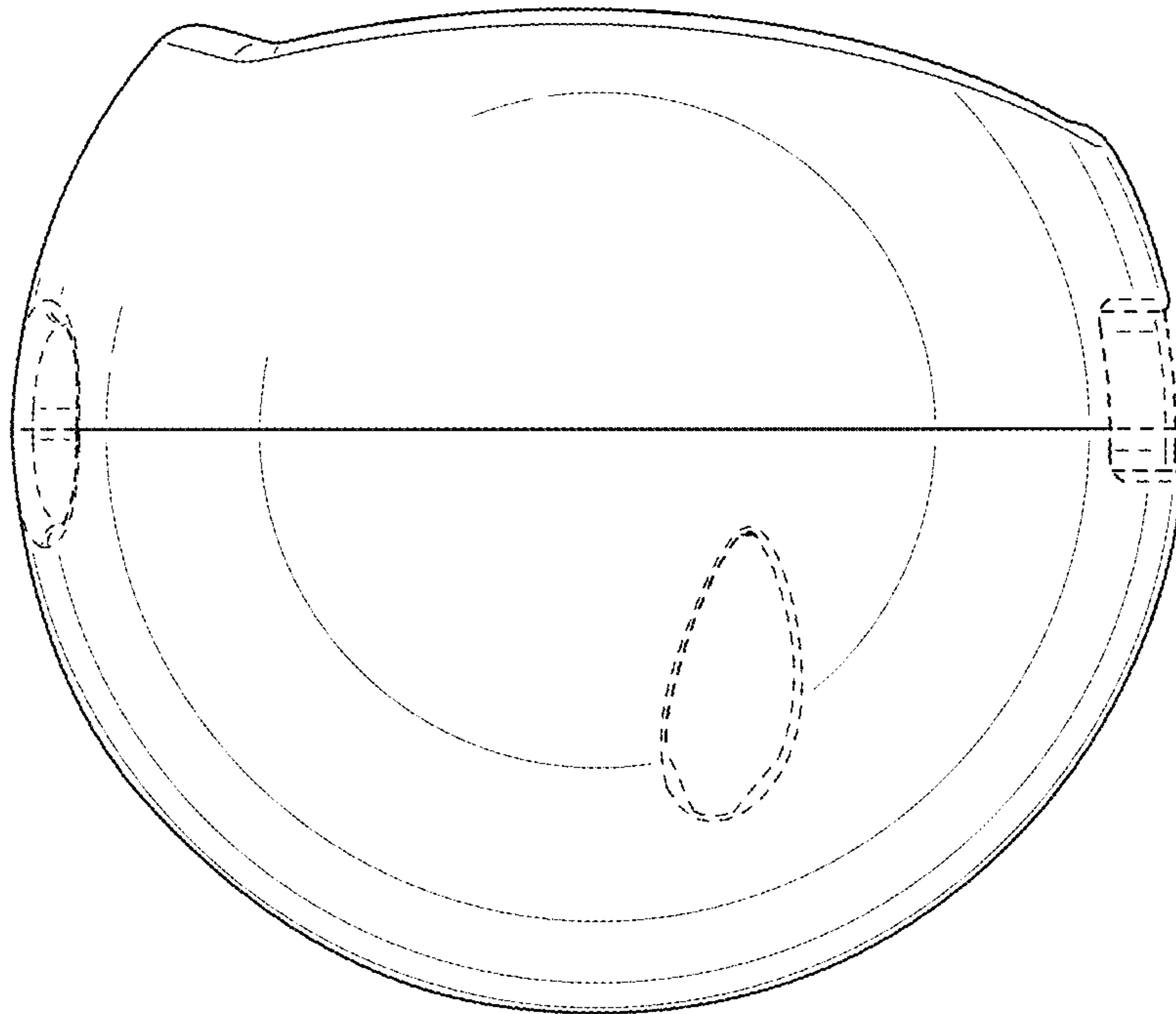


FIG. 7



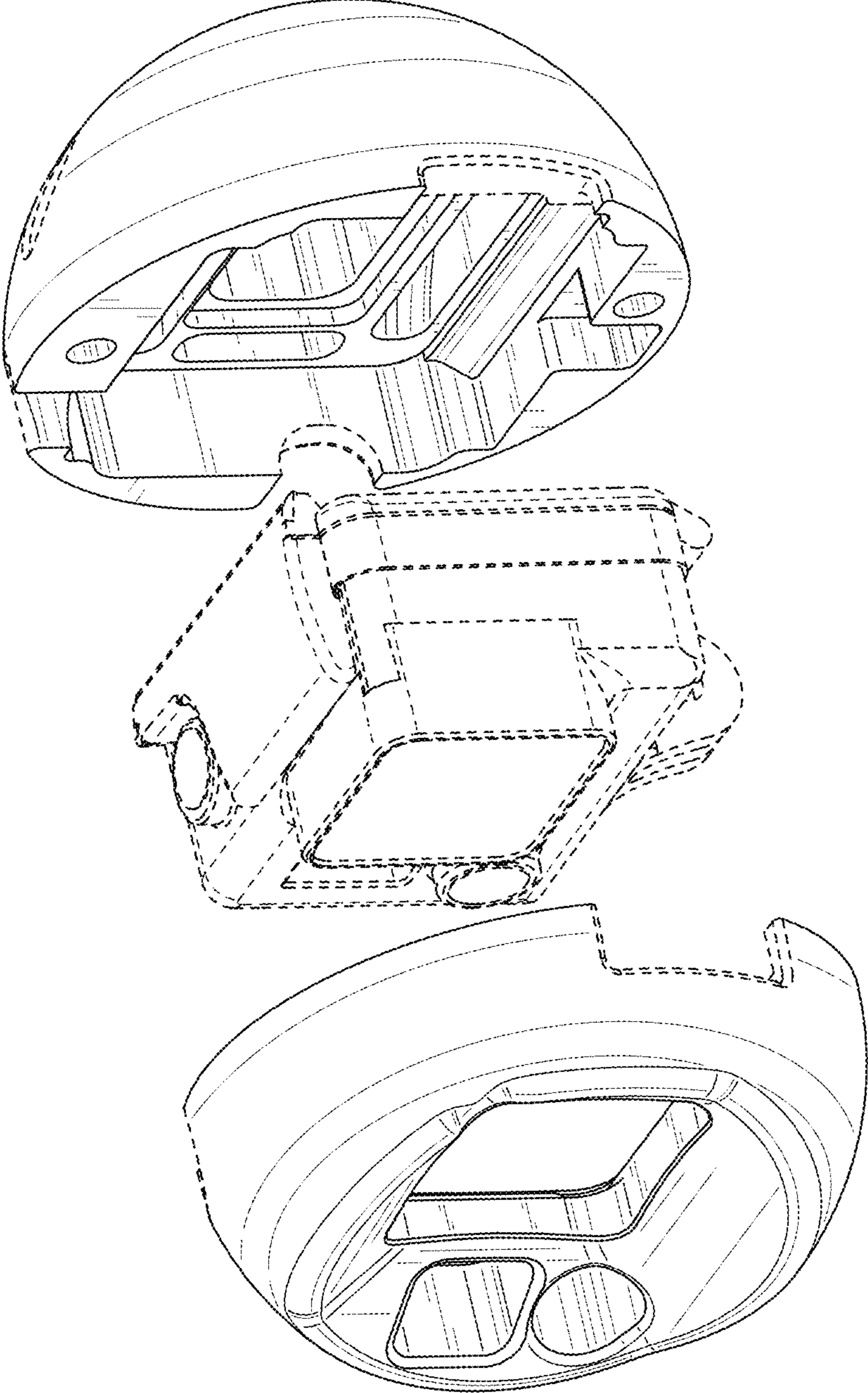


FIG. 8

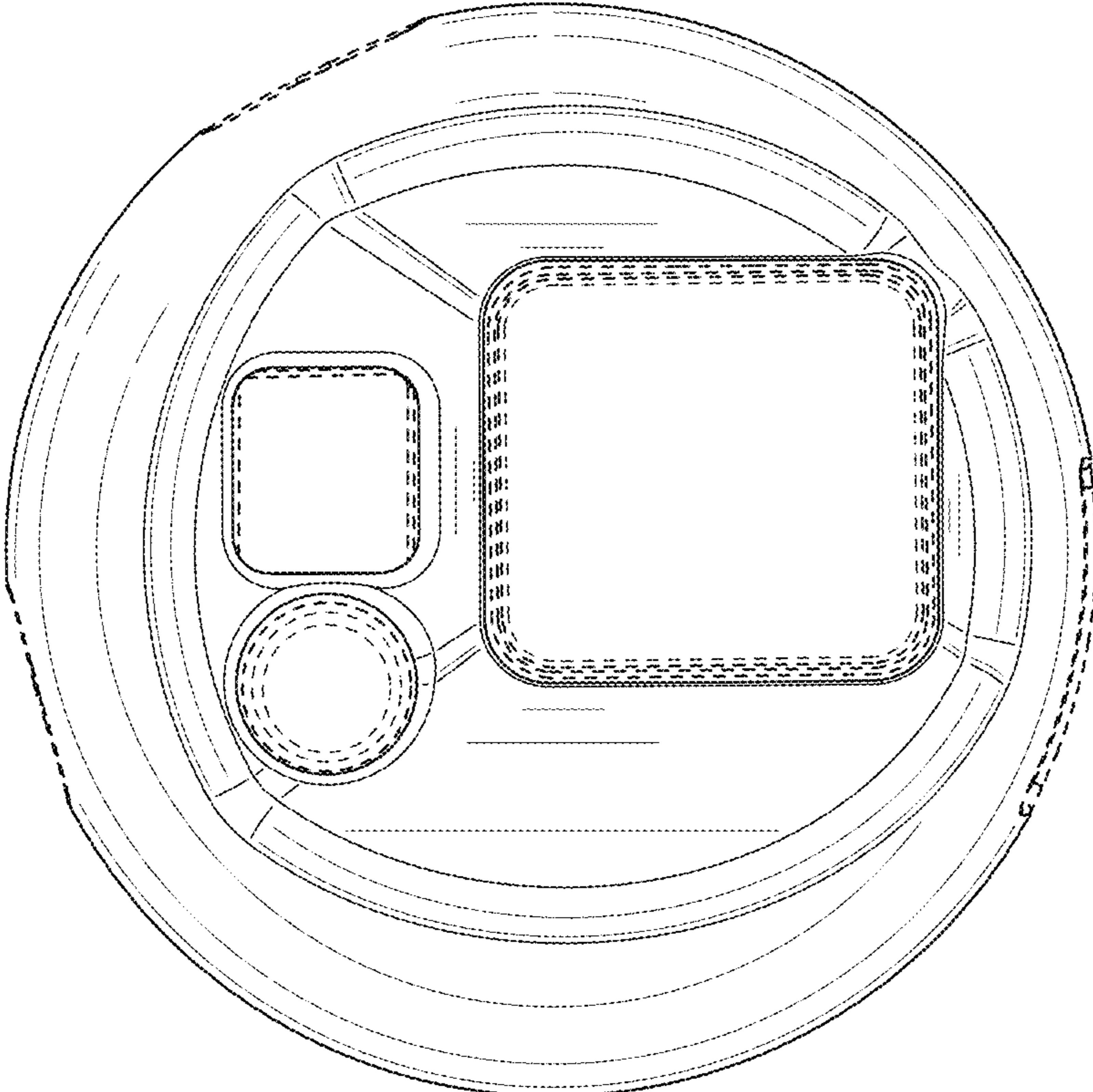


FIG. 9

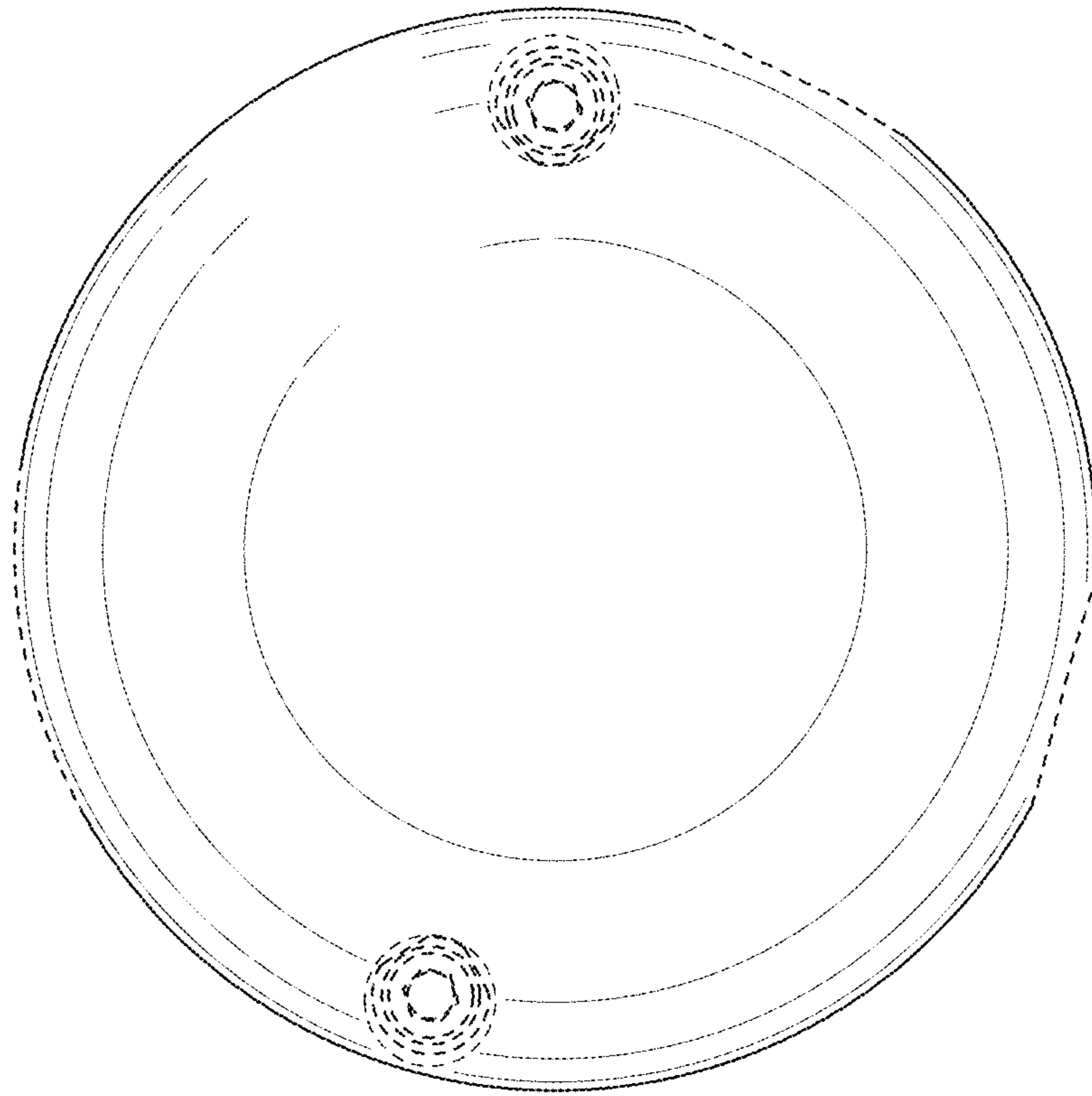


FIG. 10

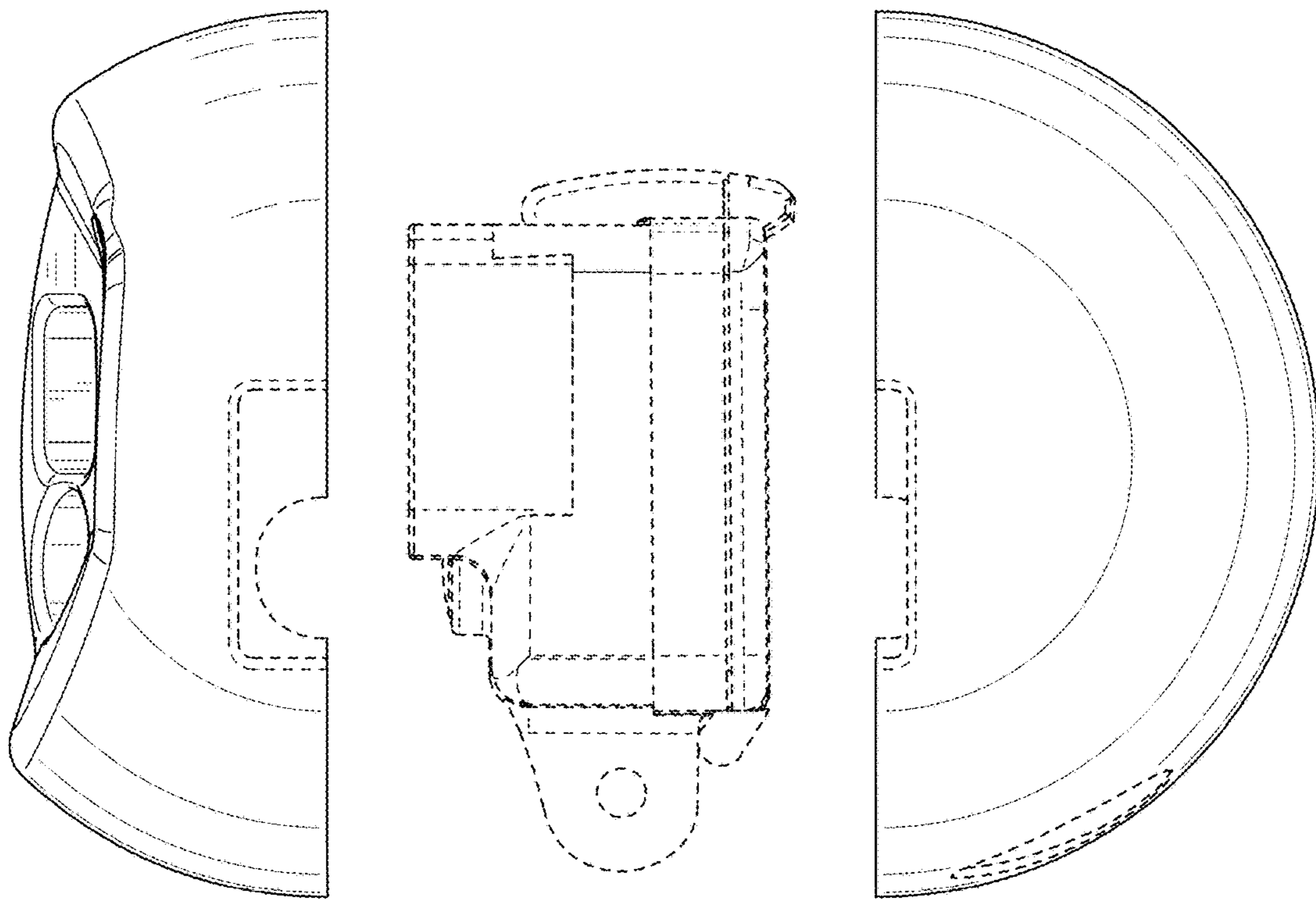


FIG. 11

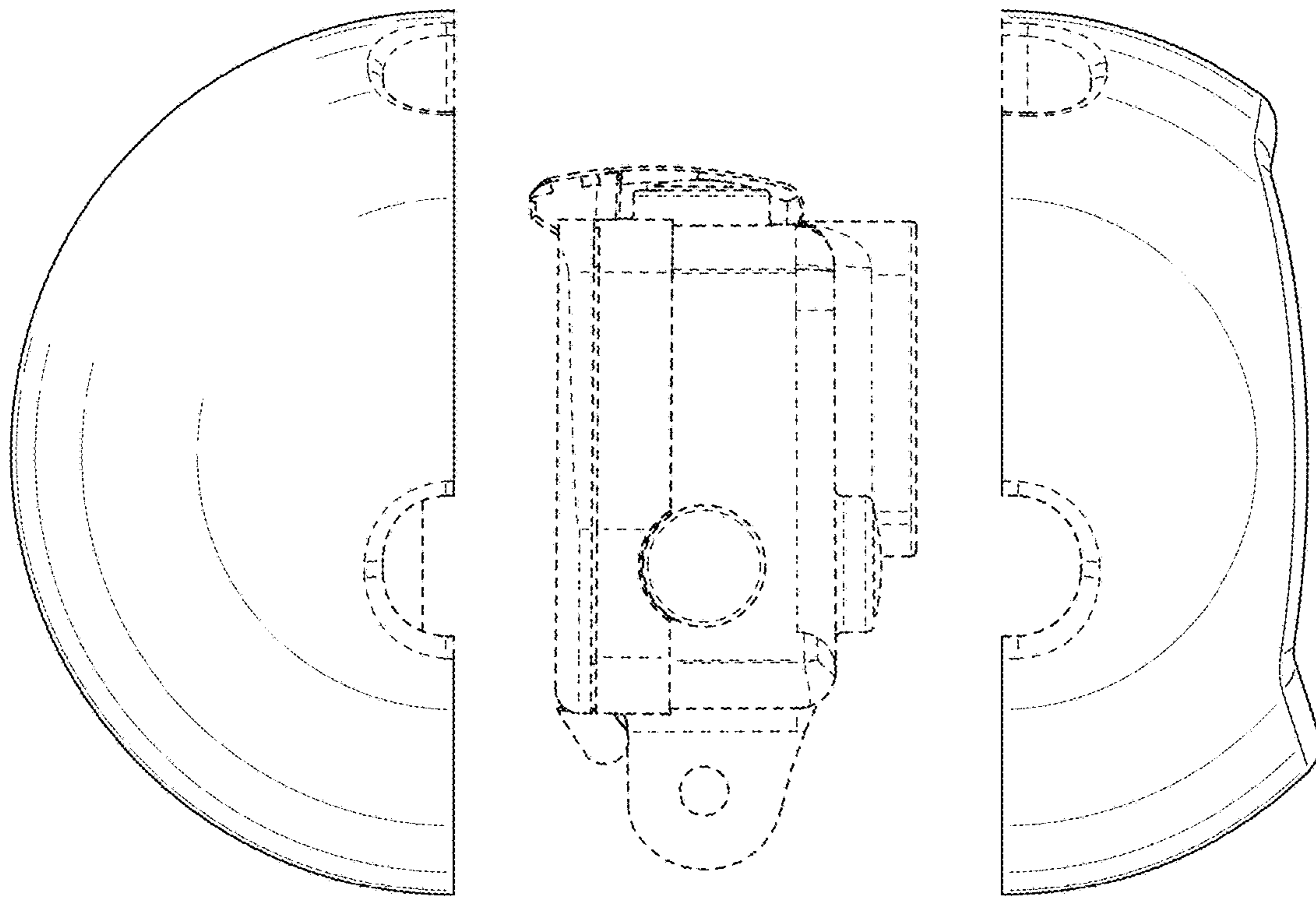


FIG. 12

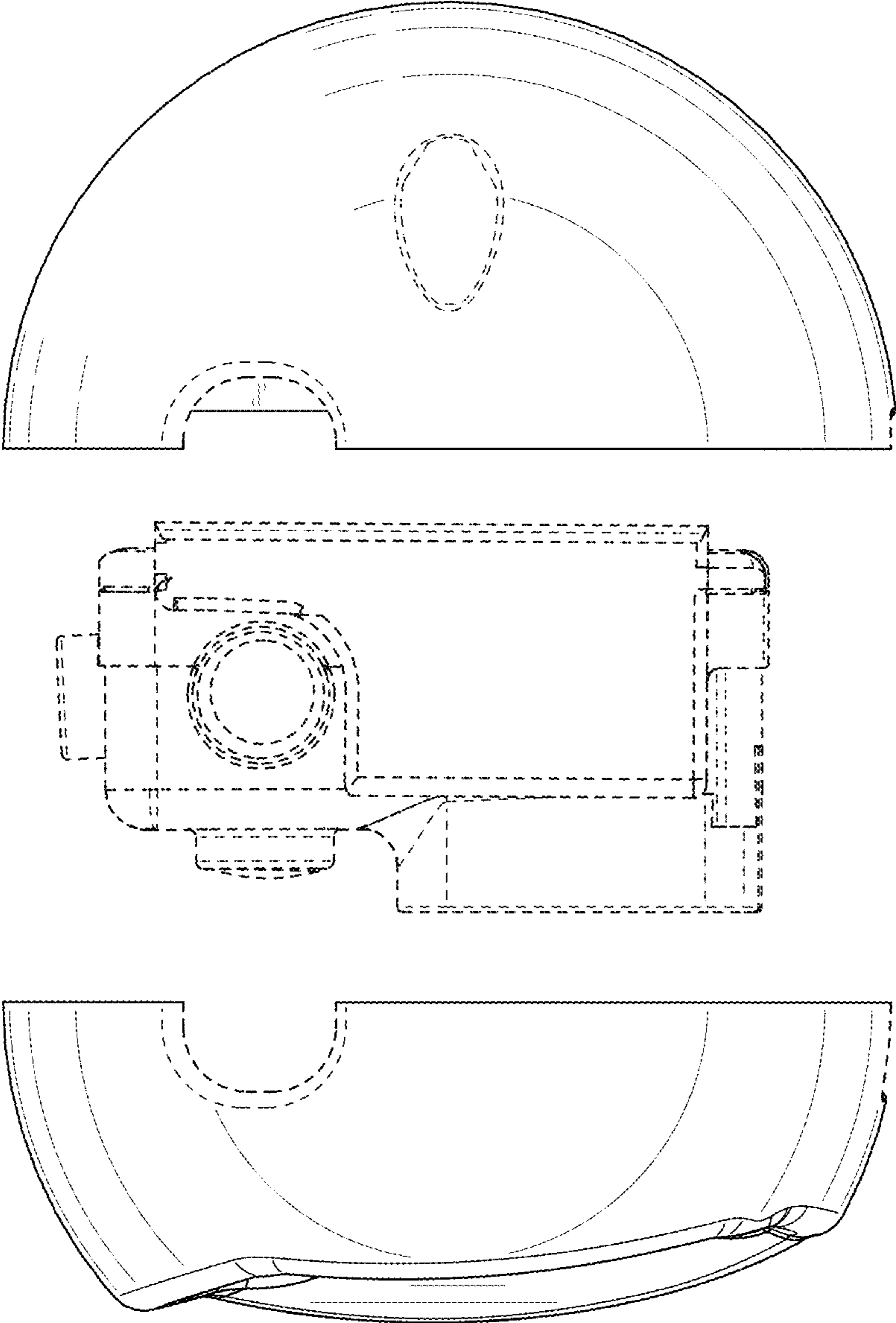


FIG. 13

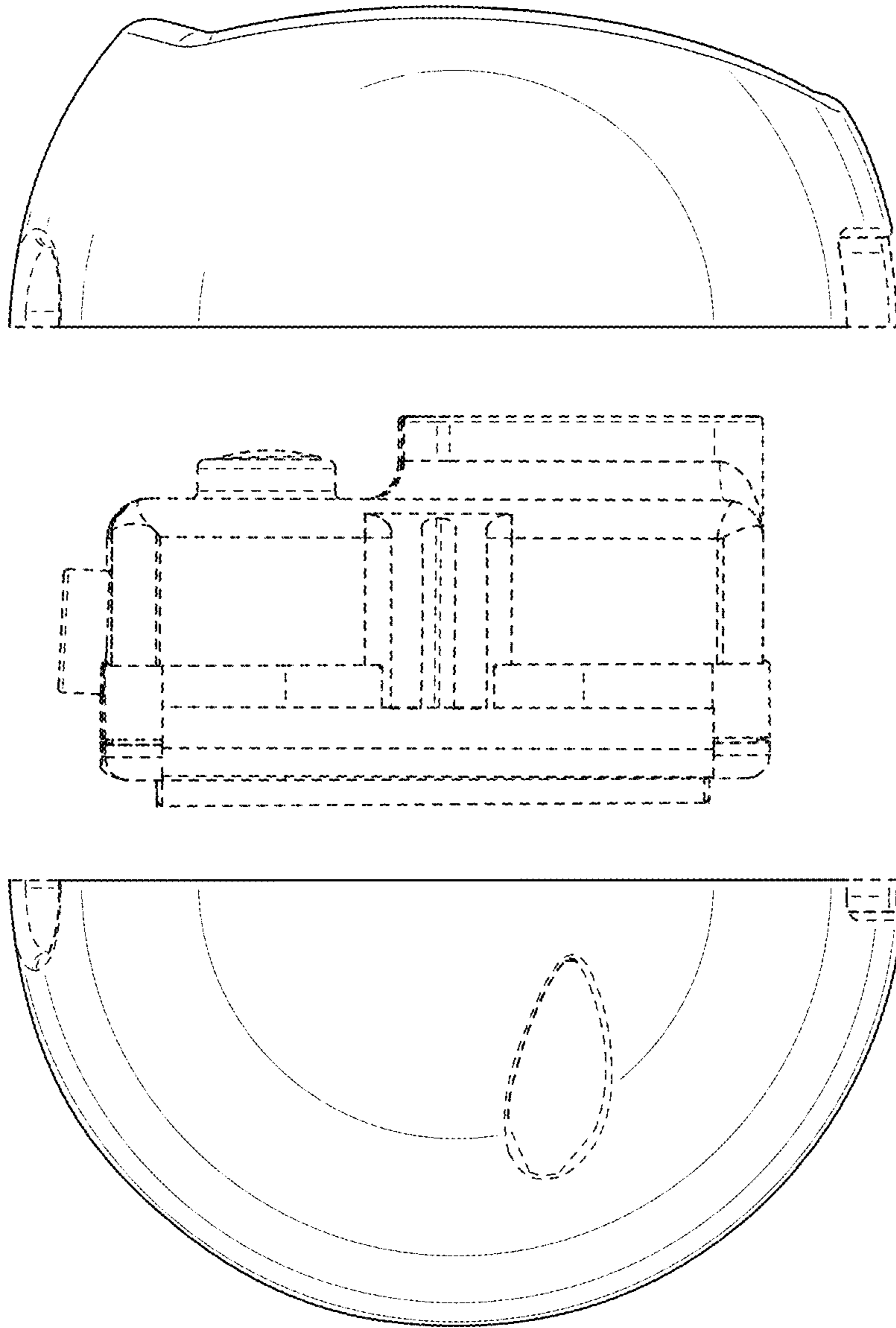


FIG. 14