



US00D808160S

(12) **United States Design Patent**  
**Matson**

(10) **Patent No.:** **US D808,160 S**  
(45) **Date of Patent:** **\*\* Jan. 23, 2018**

(54) **EYEGGLASS HOLDER**

(71) Applicant: **Marc Matson**, Huntington Beach, CA  
(US)

(72) Inventor: **Marc Matson**, Huntington Beach, CA  
(US)

(\*\*) Term: **15 Years**

(21) Appl. No.: **29/559,189**

(22) Filed: **Mar. 25, 2016**

(51) **LOC (11) Cl.** ..... **03-01**

(52) **U.S. Cl.**  
USPC ..... **D3/266**

(58) **Field of Classification Search**  
USPC ..... D3/207, 215, 219, 229, 263-268, 301,  
D3/211; D12/417; D16/330, 339;  
24/3.3, 3.7, 3.8, 563; 206/5, 5.1, 6;  
248/902; 351/112, 155; D8/356, 367,  
D8/371  
CPC ..... A45C 11/04; A47F 7/02; A47F 7/021  
See application file for complete search history.

(56) **References Cited**

**U.S. PATENT DOCUMENTS**

4,239,167	A *	12/1980	Lane	.....	A45C 11/04 248/205.3
D316,484	S *	4/1991	Kounis	.....	D11/215
5,046,696	A *	9/1991	Lee	.....	A47F 7/021 248/205.3
D345,052	S *	3/1994	Stokke	.....	D11/143
5,319,838	A *	6/1994	Eppenauer	.....	A44C 1/00 24/13
D354,677	S *	1/1995	Troyer	.....	D26/138
D364,770	S *	12/1995	Stiles	.....	D6/567
5,592,244	A *	1/1997	Vyhmeister	.....	A47F 7/021 248/309.1
D471,709	S *	3/2003	Coyne	.....	D3/263
D478,723	S *	8/2003	Blanton	.....	D3/215

D522,852	S *	6/2006	Nawrocki	.....	D8/395
D537,329	S *	2/2007	Blanton	.....	D8/395
D732,009	S *	6/2015	Bak	.....	D14/229
D789,681	S *	6/2017	Grisamore	.....	D3/215
D789,778	S *	6/2017	White, Sr.	.....	D26/138
2005/0146676	A1 *	7/2005	Silvestro	.....	G02C 3/04 351/158
2006/0055866	A1 *	3/2006	Dietz	.....	A45F 5/02 351/41

(Continued)

*Primary Examiner* — T. Chase Nelson

(74) *Attorney, Agent, or Firm* — Usha S. Koshy

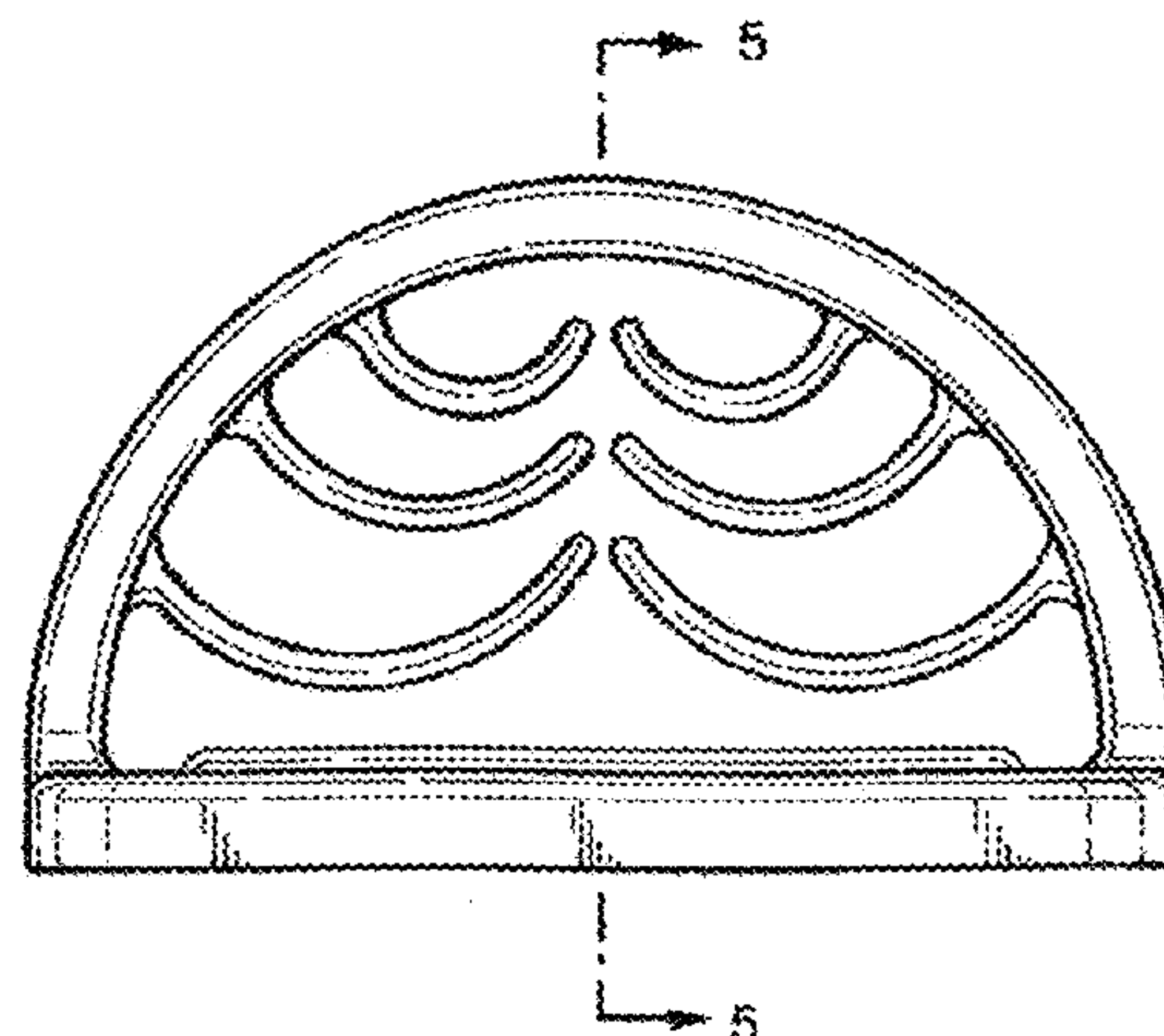
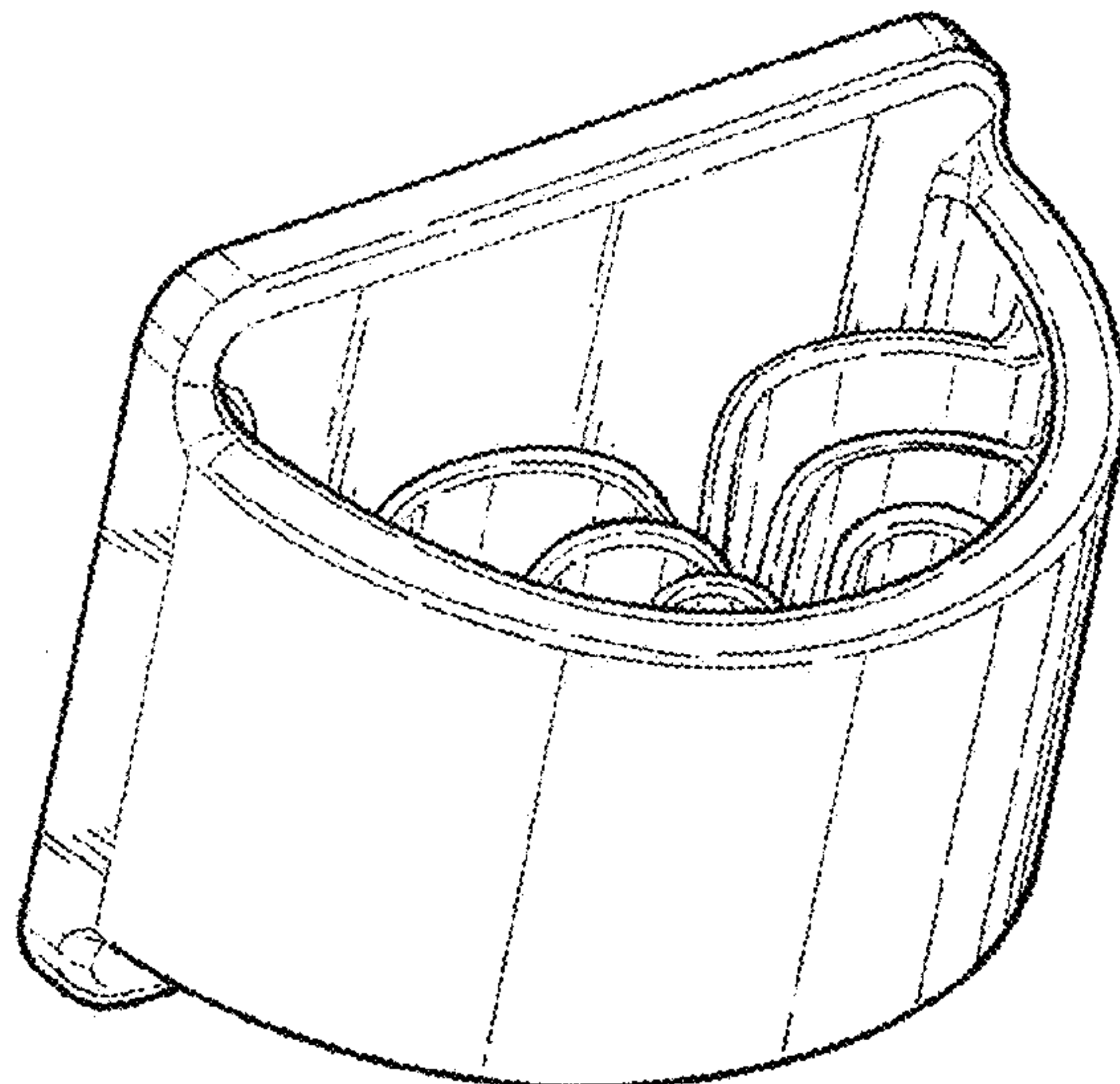
(57) **CLAIM**

The ornamental design for an eyeglass holder, as shown and described.

**DESCRIPTION**

FIG. 1 is a perspective view of the eyeglass holder showing my new design;  
 FIG. 2 is a top plan view thereof;  
 FIG. 3 is a back perspective view thereof;  
 FIG. 4 is a side view thereof;  
 FIG. 5 is a cross sectional view thereof along line 5-5 in FIG. 2;  
 FIG. 6 is a front elevational view thereof;  
 FIG. 7 is a rear elevational view thereof;  
 FIG. 8 is a perspective view of the eyeglass holder holding a pair of eyeglasses;  
 FIG. 9 is a front elevational view of the eyeglass holder holding a pair of eyeglasses;  
 FIG. 10 is a side elevational view of the eyeglass holder holding a pair of eyeglasses; and,  
 FIG. 11 is a top plan view of the eyeglass holder holding a pair of eyeglasses.  
 The eyeglasses shown in broken lines in the views illustrate the use of my eyeglass holder, but they are unclaimed subject matter and form no part of the claimed design.

**1 Claim, 11 Drawing Sheets**



(56)

**References Cited**

U.S. PATENT DOCUMENTS

2008/0148528 A1\* 6/2008 Jones ..... A44C 3/001  
24/3.3  
2012/0272483 A1\* 11/2012 Moore ..... A42B 1/247  
24/3.3

\* cited by examiner

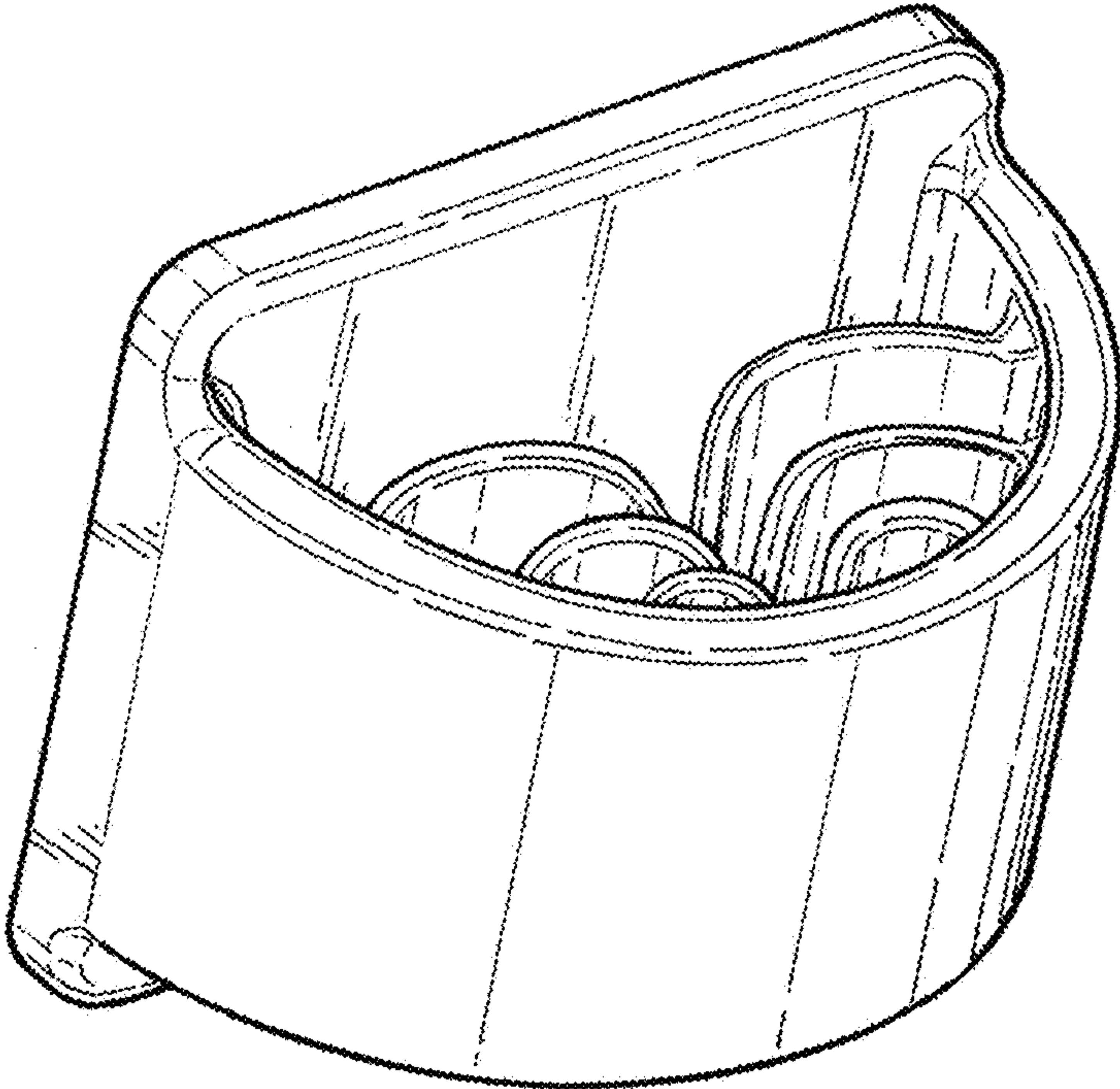


FIG. 1

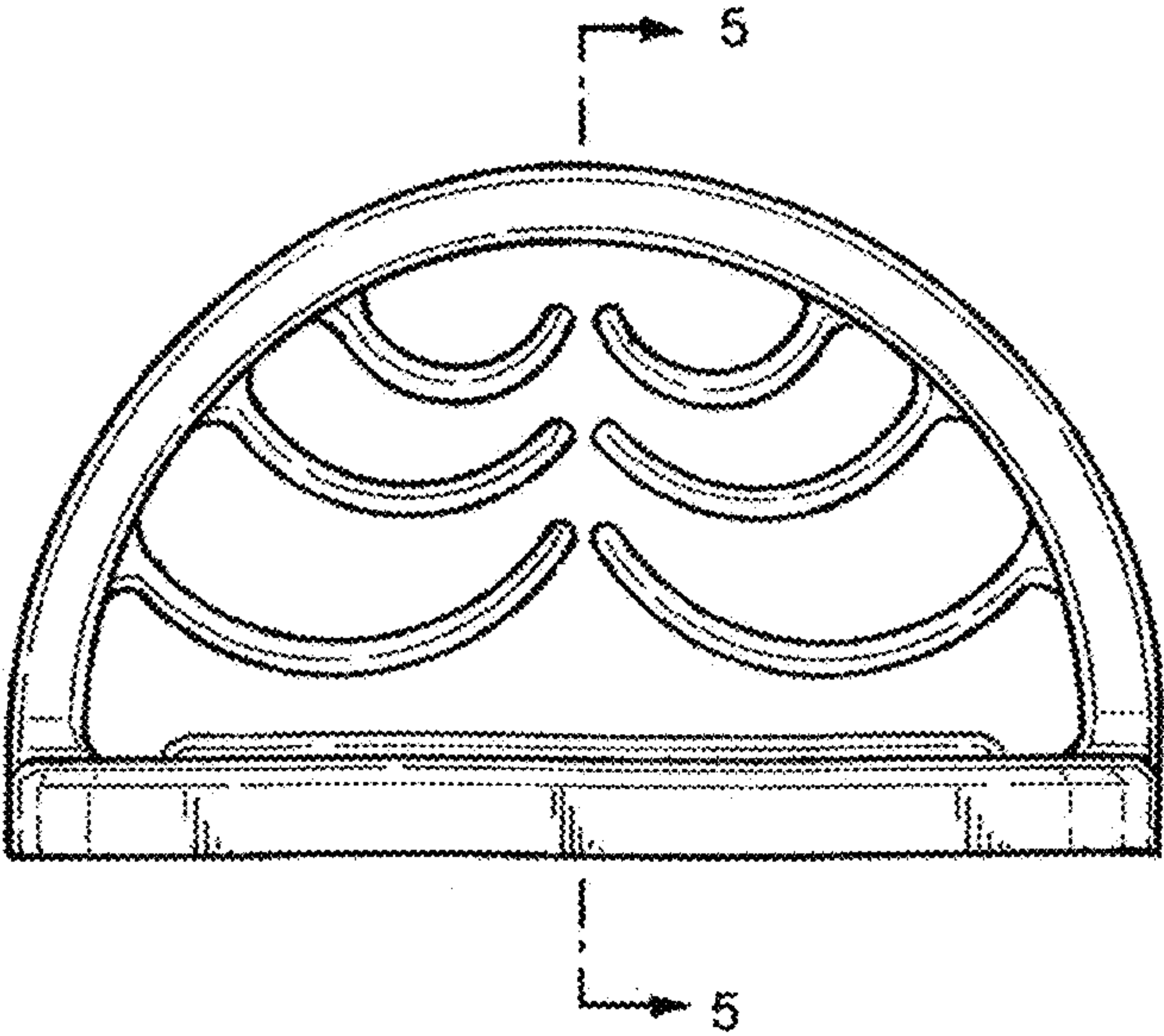


FIG. 2



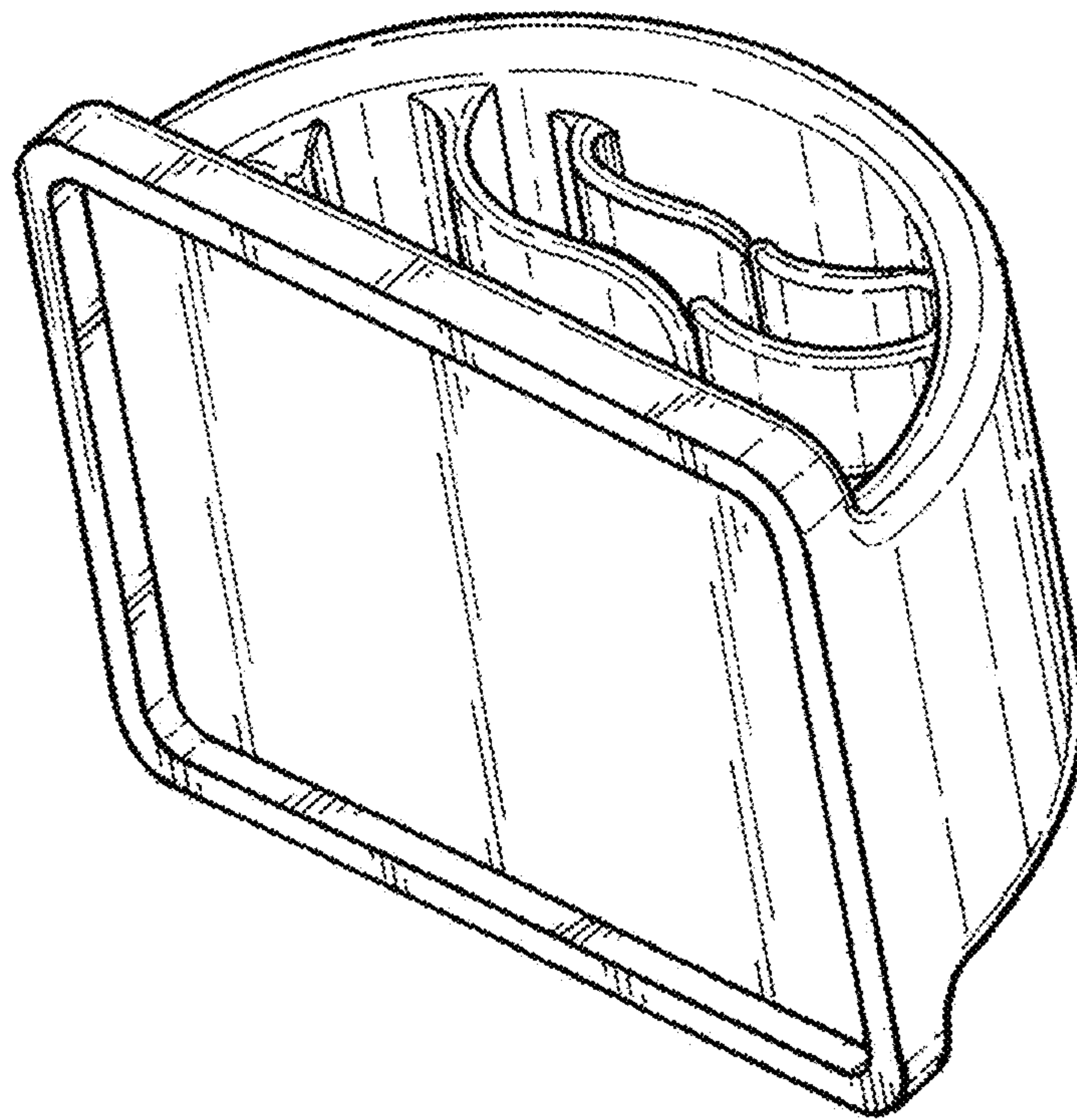


FIG. 3

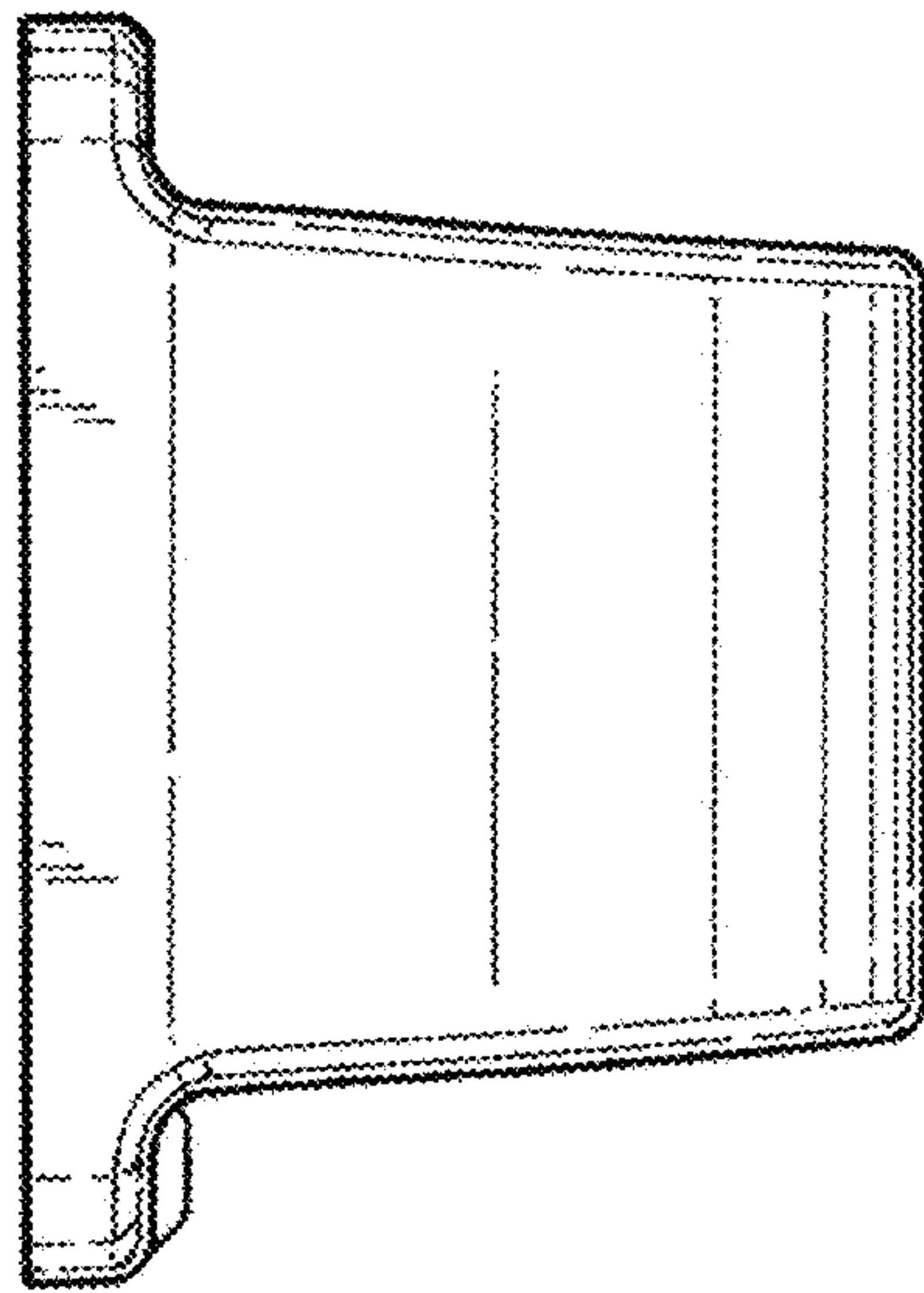


FIG. 4

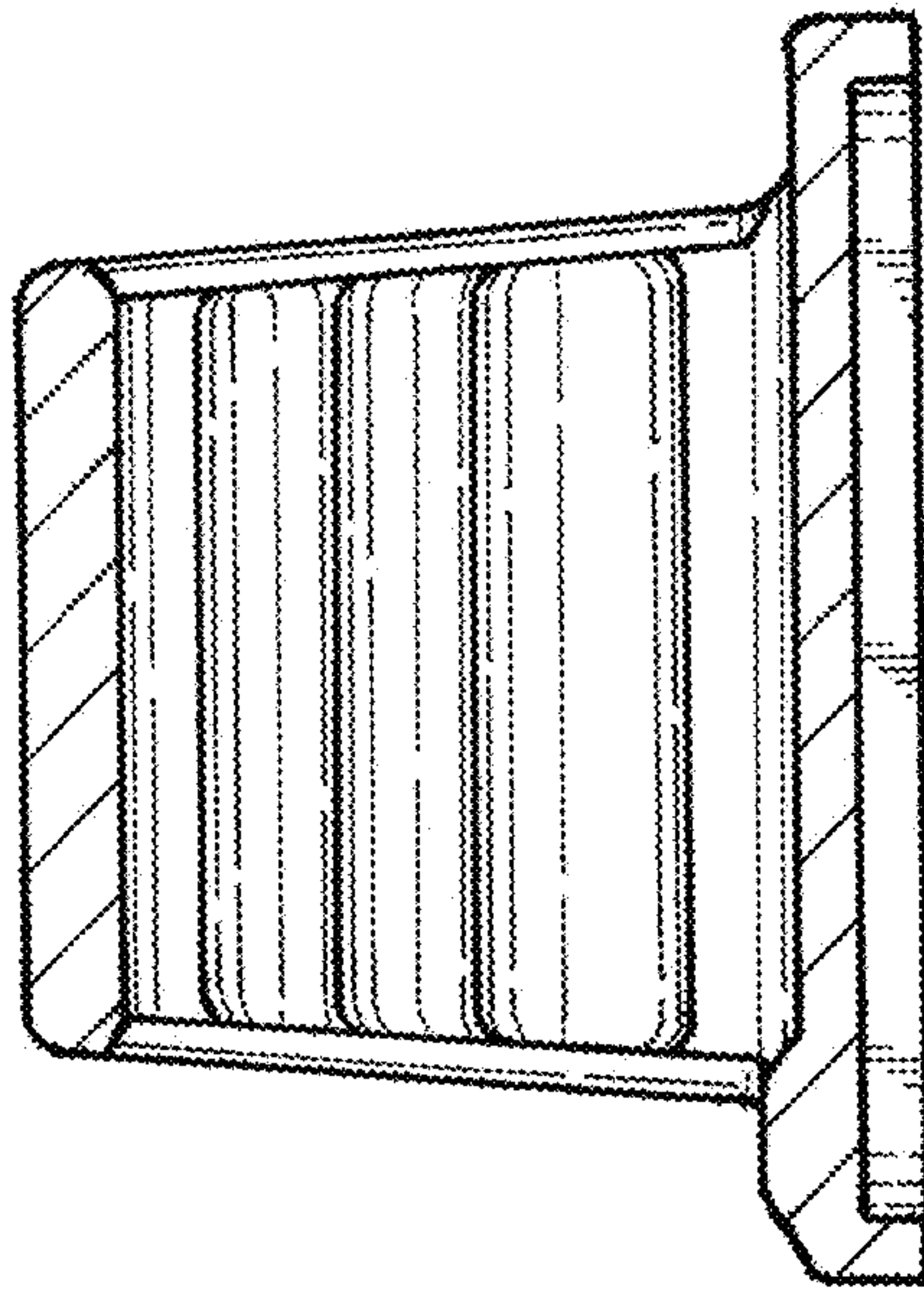


FIG. 5

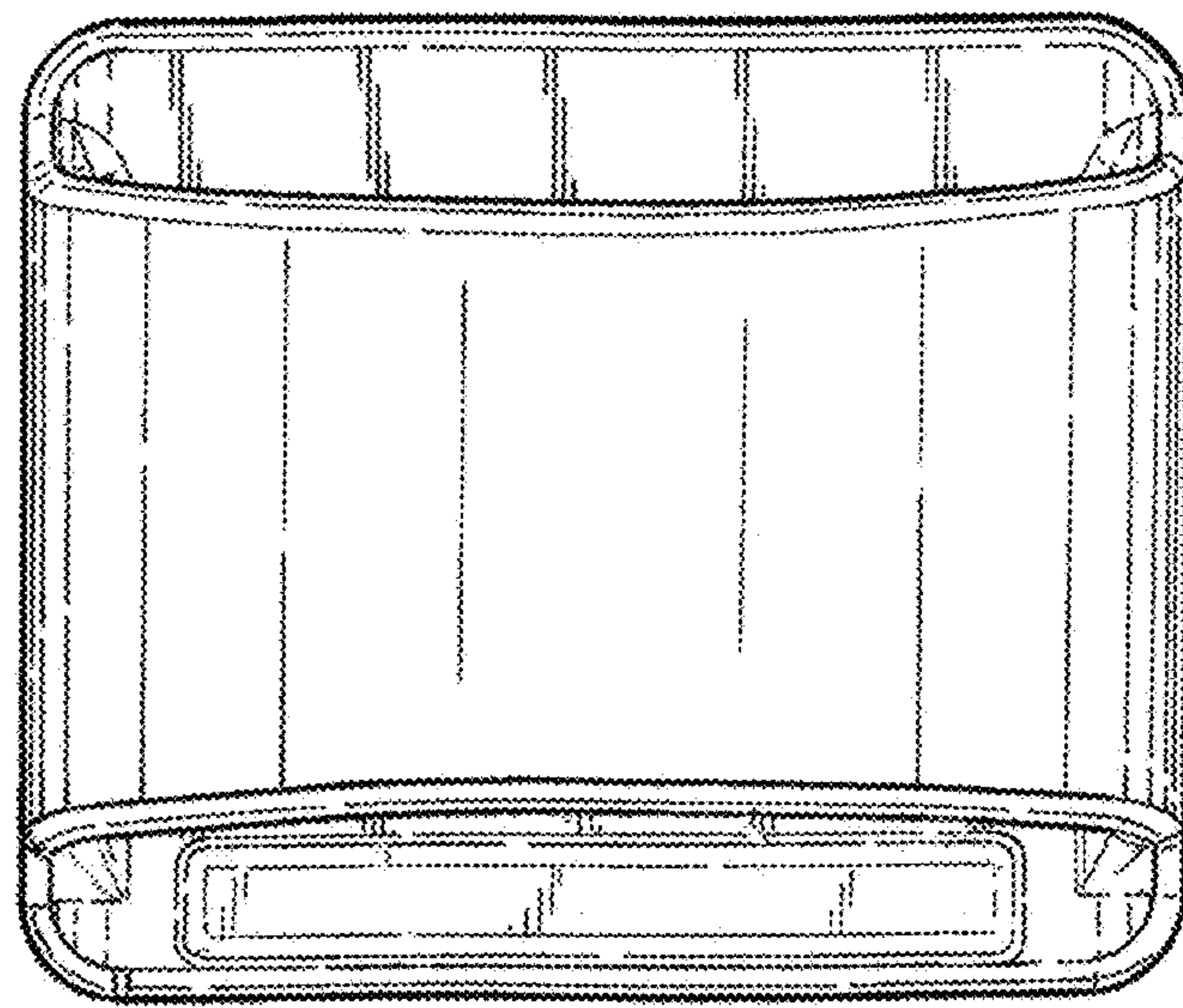


FIG. 6



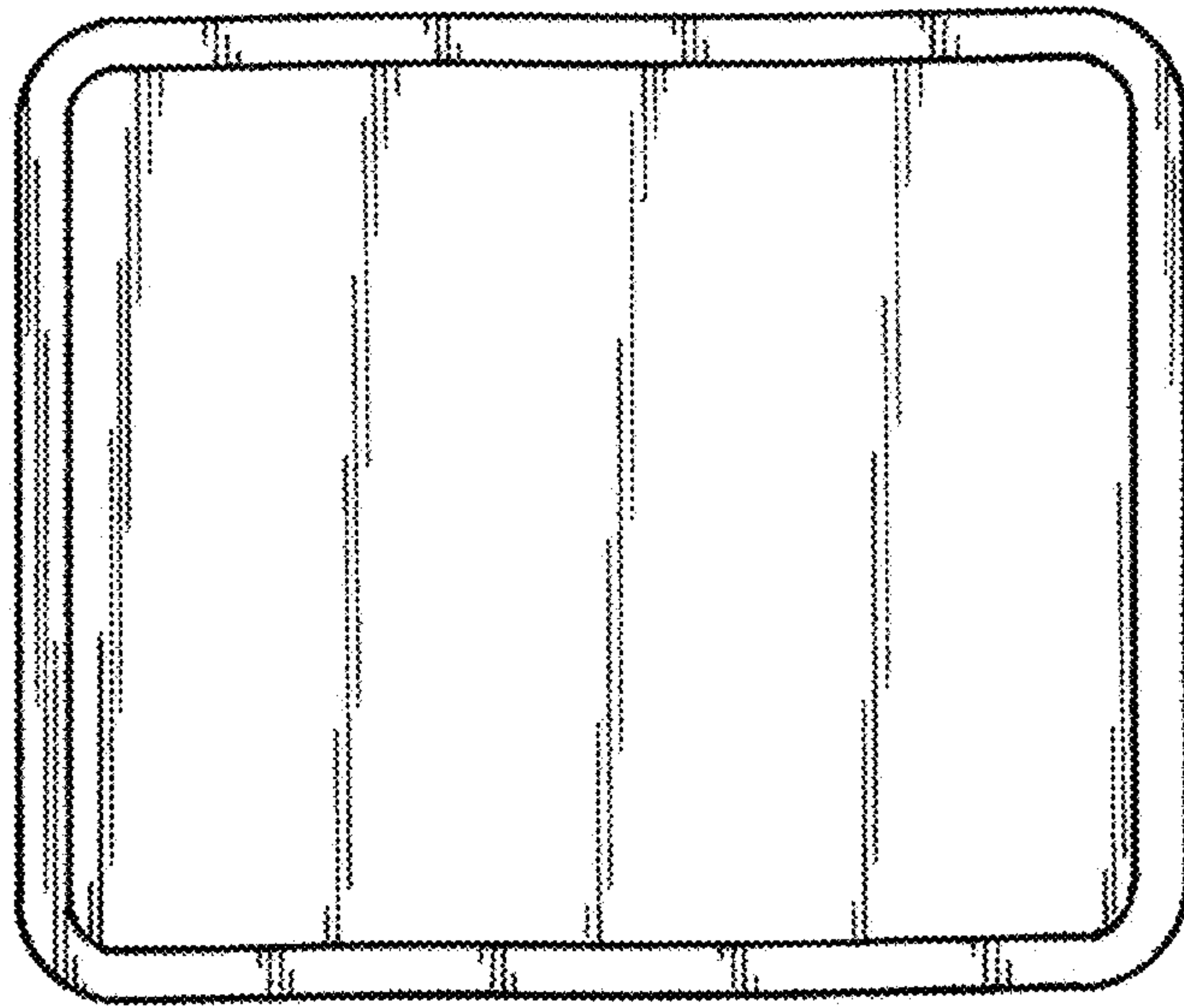


FIG. 7



FIG. 8

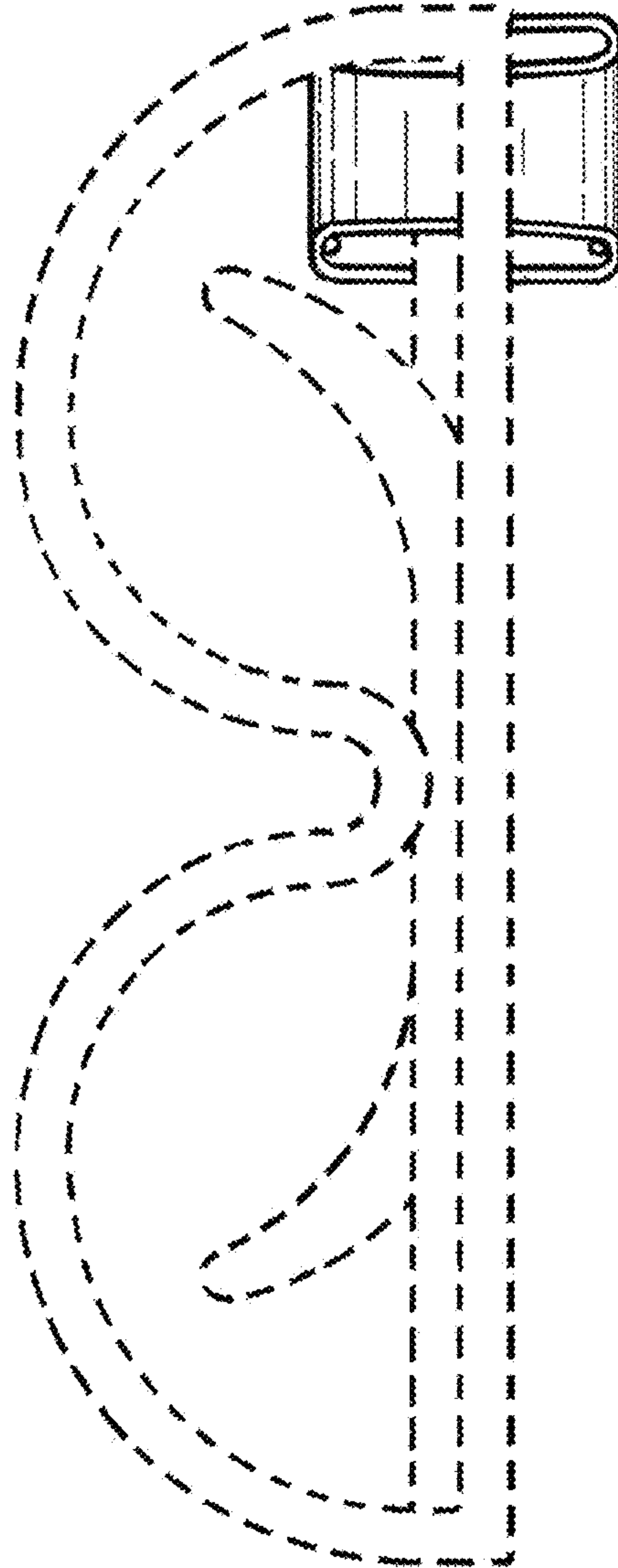


FIG. 9

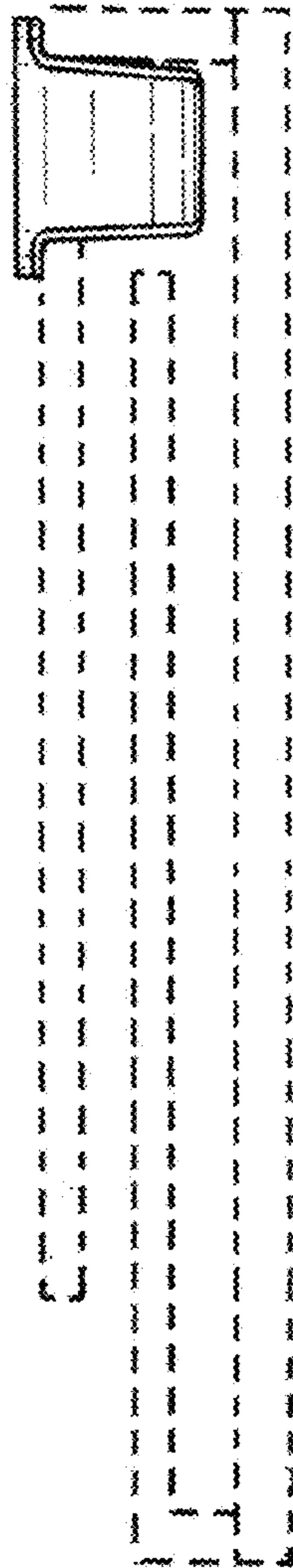


FIG. 10

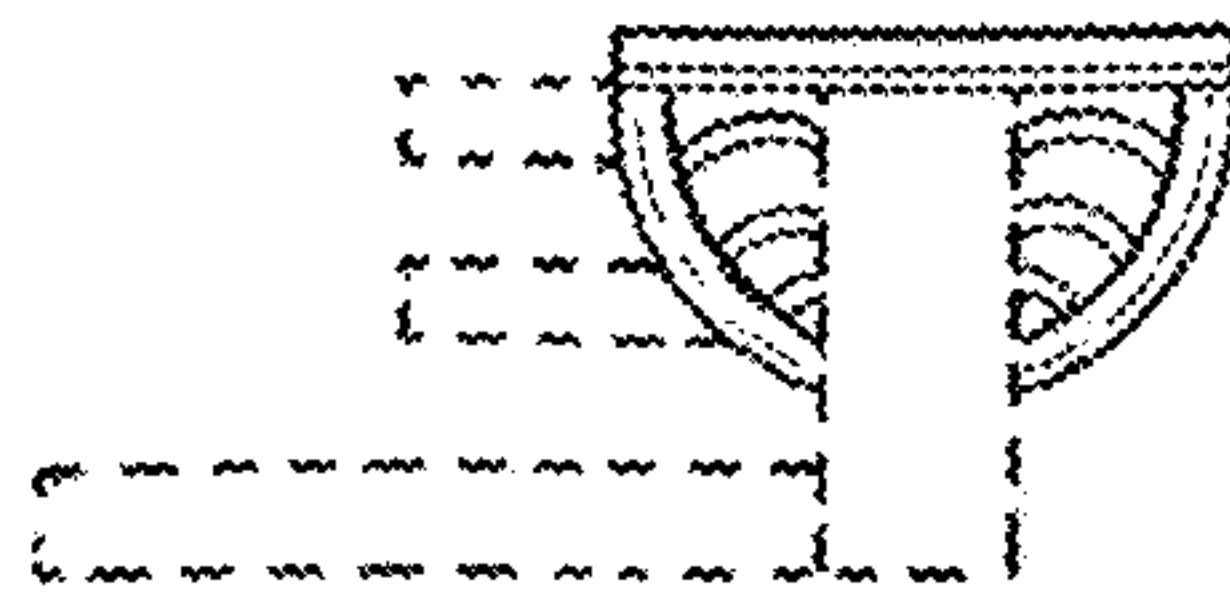


FIG. 11