



US00D808155S

(12) **United States Design Patent** (10) **Patent No.:** **US D808,155 S**
Amat (45) **Date of Patent:** **** Jan. 23, 2018**

(54) **HANDBAG**
(71) Applicant: **J. Choo Limited**, London (GB)
(72) Inventor: **Lina Amat**, London (GB)
(73) Assignee: **J. Choo Limited**, London (GB)
(**) Term: **15 Years**
(21) Appl. No.: **29/581,515**
(22) Filed: **Oct. 19, 2016**

(30) **Foreign Application Priority Data**
Apr. 20, 2016 (EM) 003076611-0003
(51) **LOC (11) Cl.** **03-01**
(52) **U.S. Cl.**
USPC **D3/240**
(58) **Field of Classification Search**
USPC D3/232–233, 240–243, 245–246, 318
CPC A45C 1/024; A45C 3/06
See application file for complete search history.

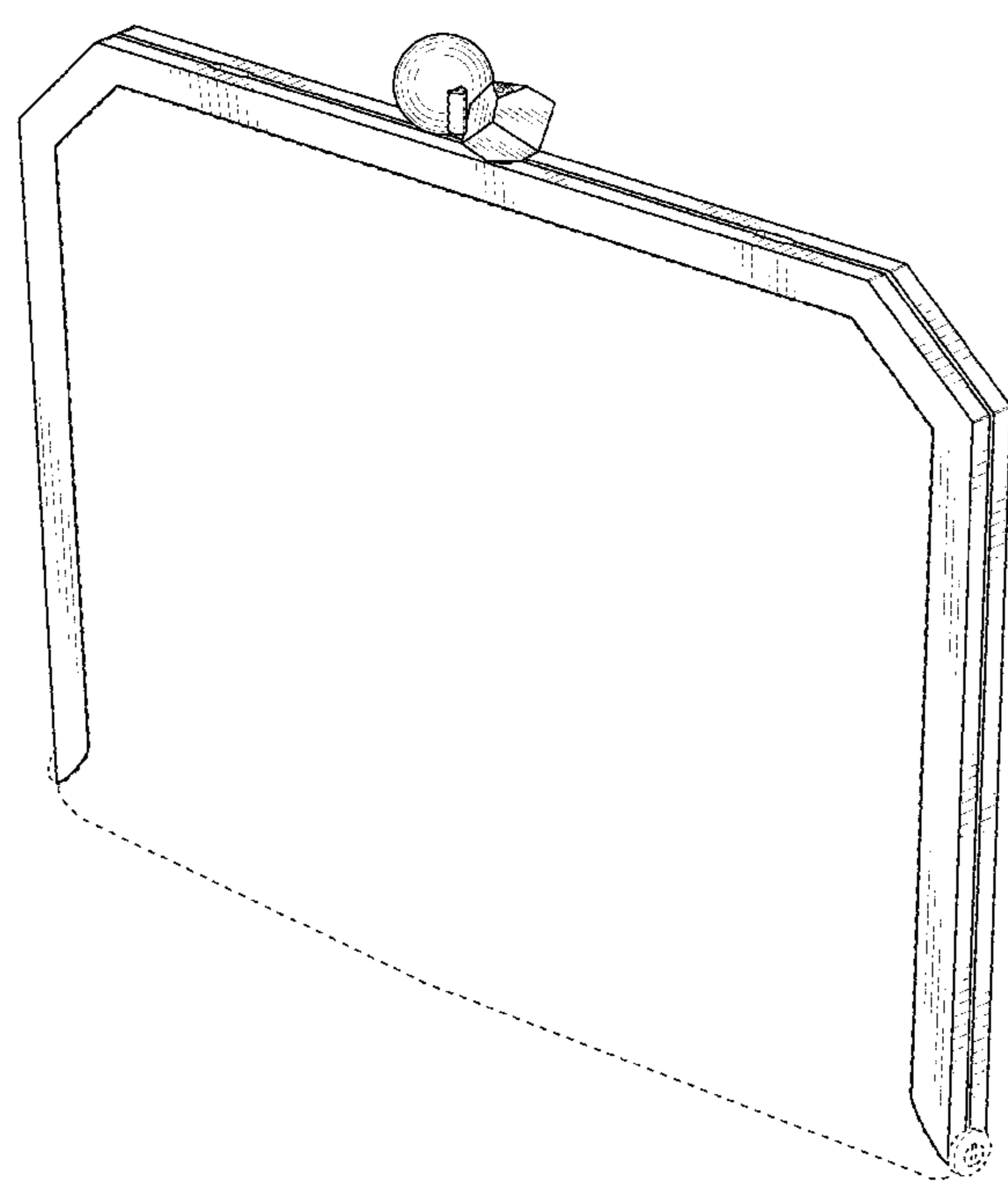
(56) **References Cited**
U.S. PATENT DOCUMENTS
D46,731 S * 12/1914 Hawkins D3/240
D63,088 S * 10/1923 Rowan D3/240
D87,898 S * 10/1932 White D3/240
D128,558 S * 7/1941 Pichel D3/240
D153,669 S * 5/1949 David D3/240
D154,494 S * 7/1949 Kaufman
D156,029 S * 11/1949 Randolph D3/240
D156,030 S * 11/1949 Randolph D3/240
D308,959 S * 7/1990 Ware

D342,383 S 12/1993 Fuchs et al.
* cited by examiner
Primary Examiner — Holly H Baynham
(74) *Attorney, Agent, or Firm* — Fross Zelnick Lehrman & Zissu, P.C.; Lawrence E. Apolzon, Esq.

(57) **CLAIM**
The ornamental design for a handbag, as shown and described.

DESCRIPTION
FIG. 1 is a front perspective view of a handbag showing my new design;
FIG. 2 is a front view thereof;
FIG. 3 is a back view thereof;
FIG. 4 is a left side view thereof;
FIG. 5 is a right side view thereof;
FIG. 6 is a top view thereof;
FIG. 7 is a bottom view thereof;
FIG. 8 is a front perspective view of an alternative embodiment of the handbag shown in FIG. 1;
FIG. 9 is a front view thereof;
FIG. 10 is a back view thereof;
FIG. 11 is a left side view thereof;
FIG. 12 is a right side view thereof;
FIG. 13 is a top view thereof; and,
FIG. 14 is a bottom view thereof.
The broken line showing of portions of the body of the bag and the closure mechanism in the drawings shows unclaimed subject matter.

1 Claim, 10 Drawing Sheets



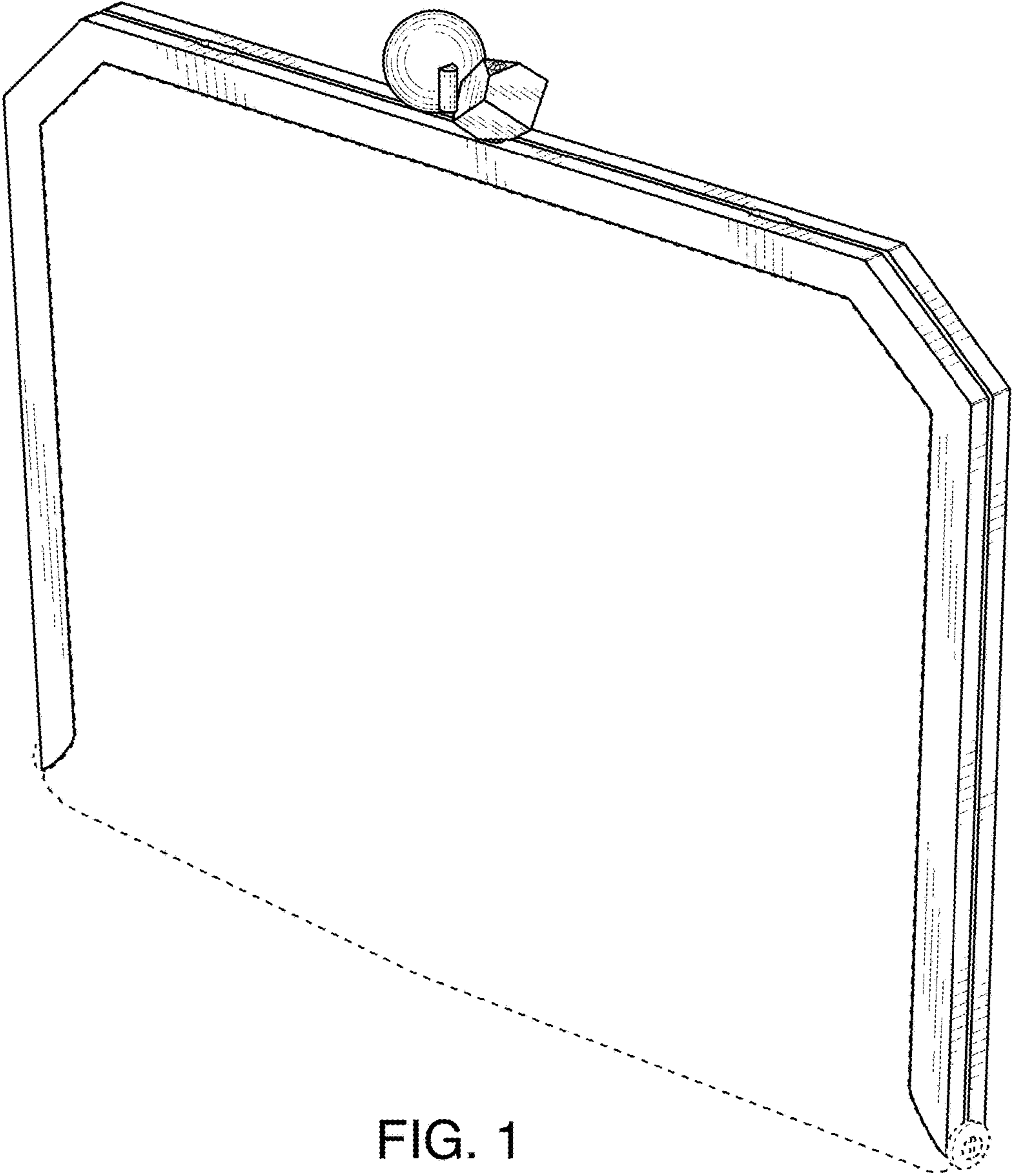


FIG. 1

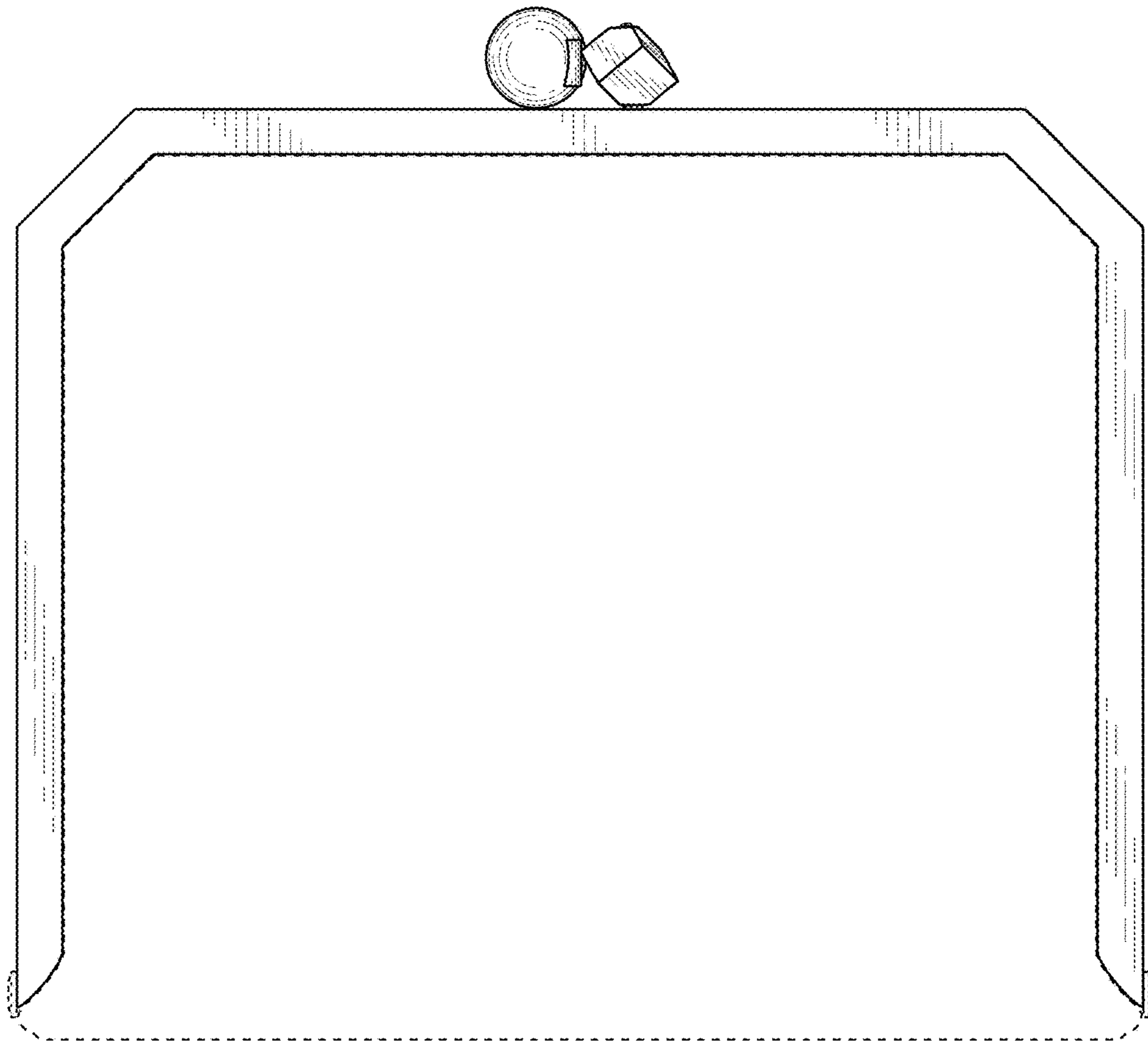


FIG. 2

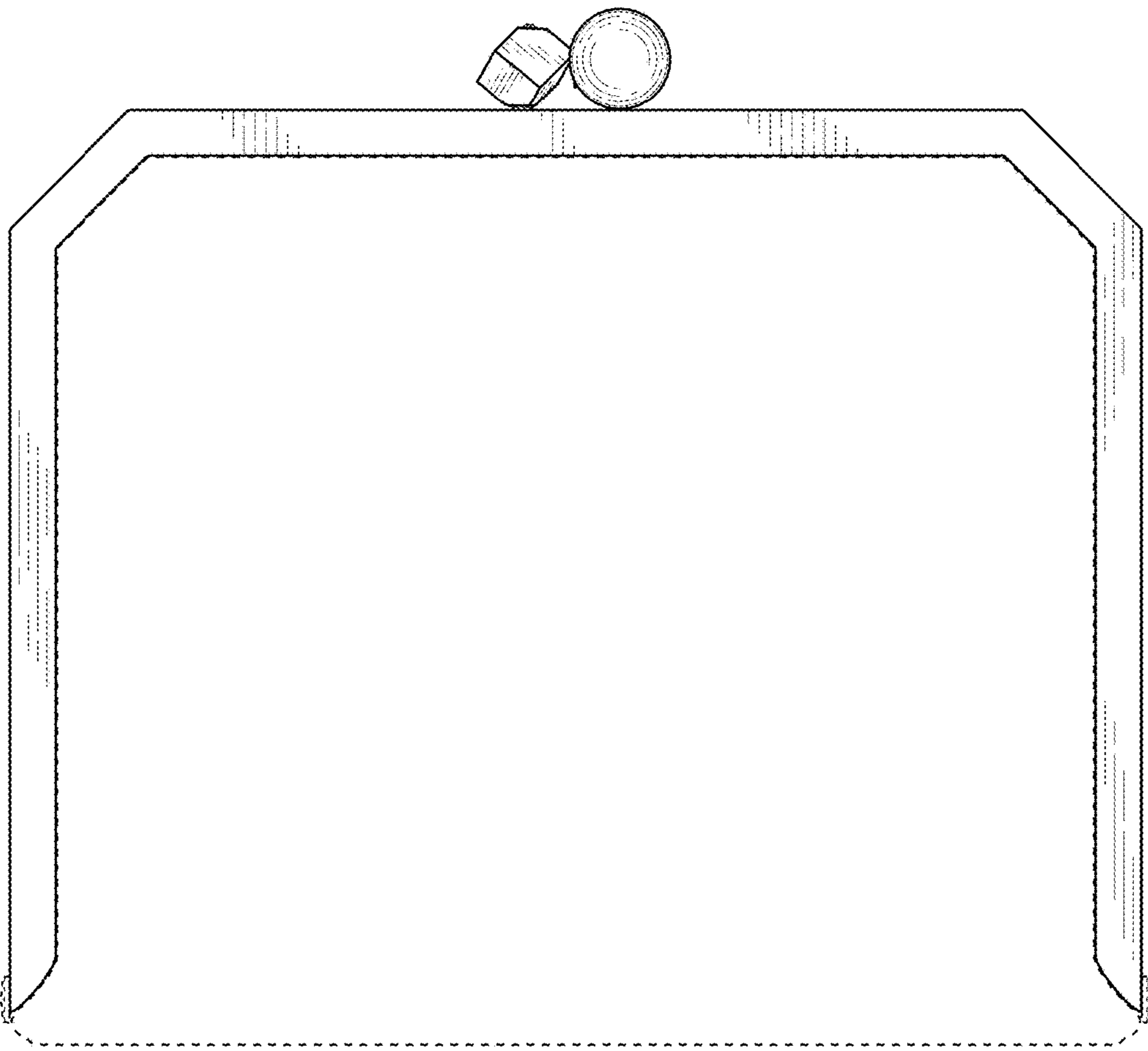


FIG. 3

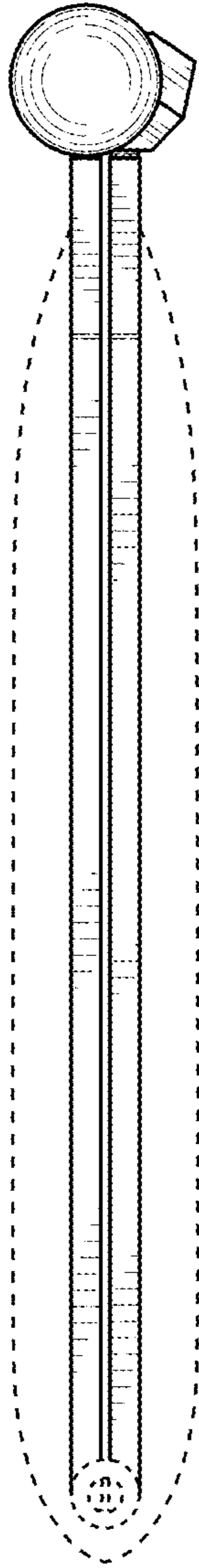


FIG. 4

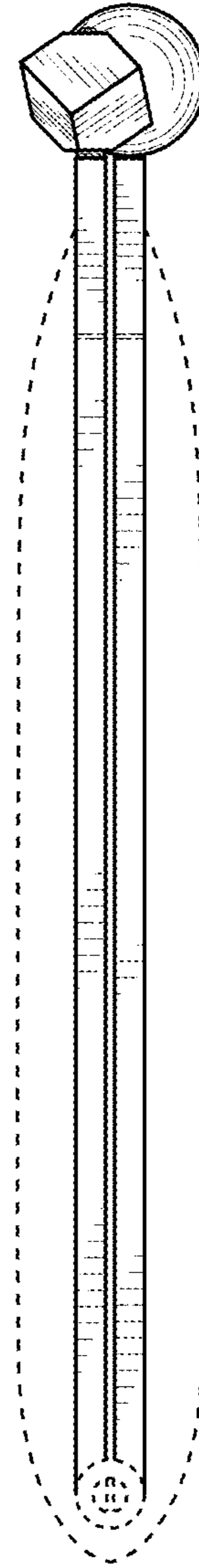


FIG. 5

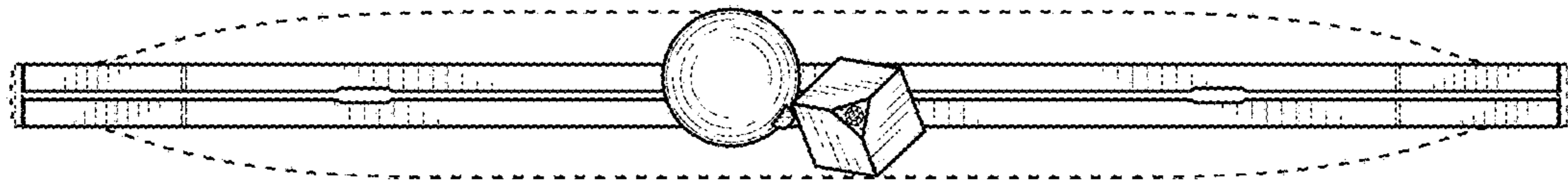


FIG. 6



FIG. 7

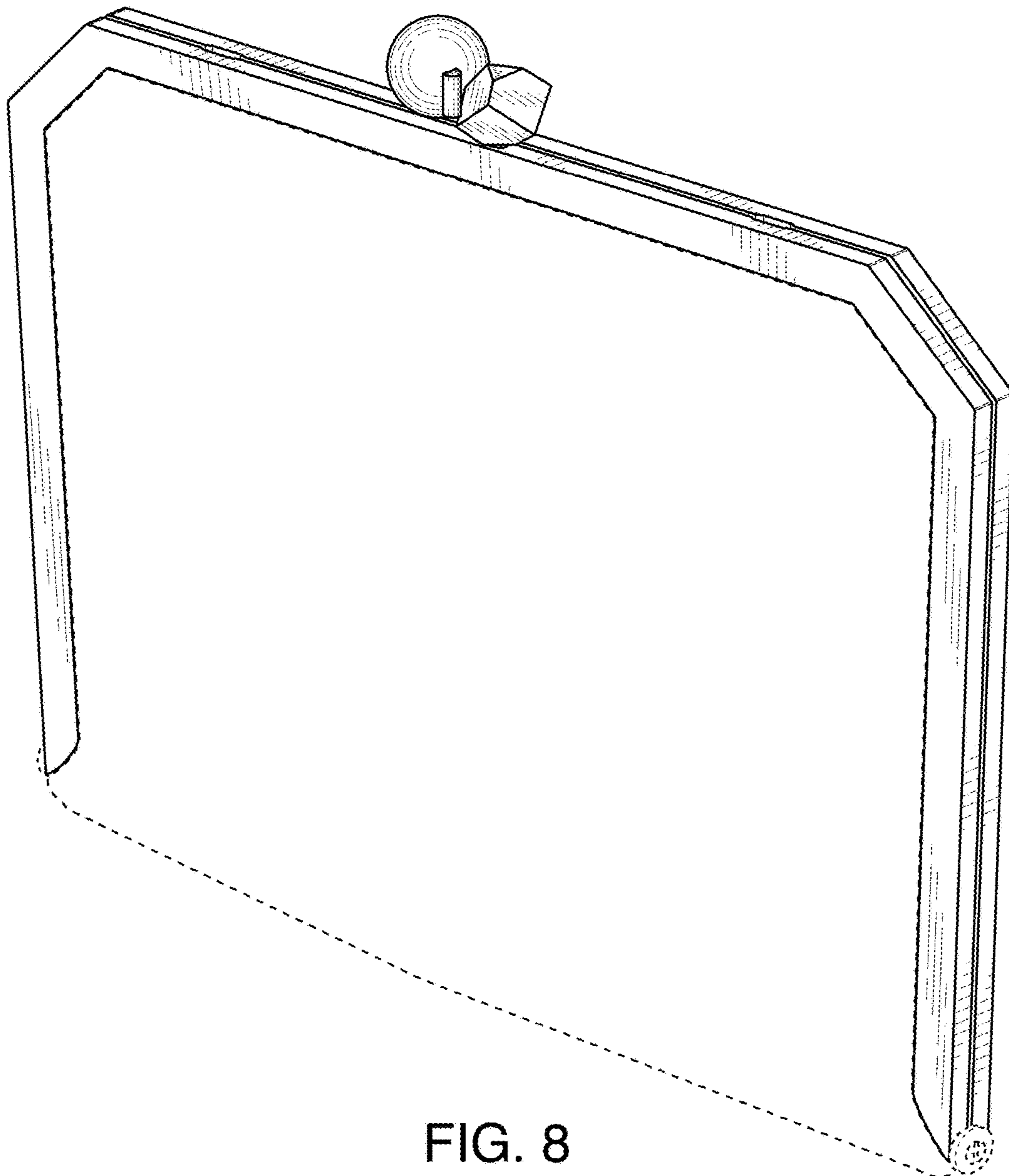


FIG. 8

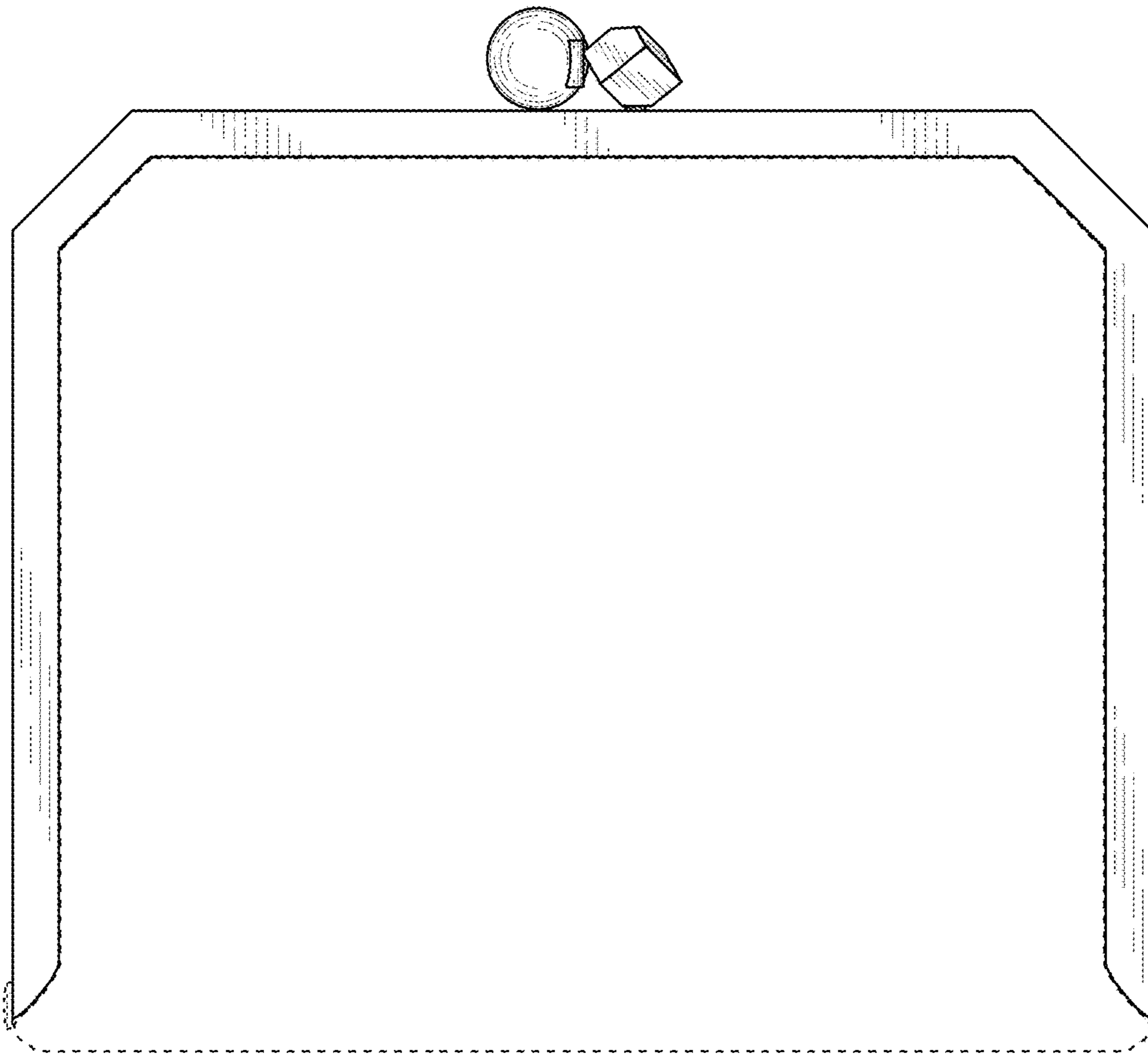


FIG. 9

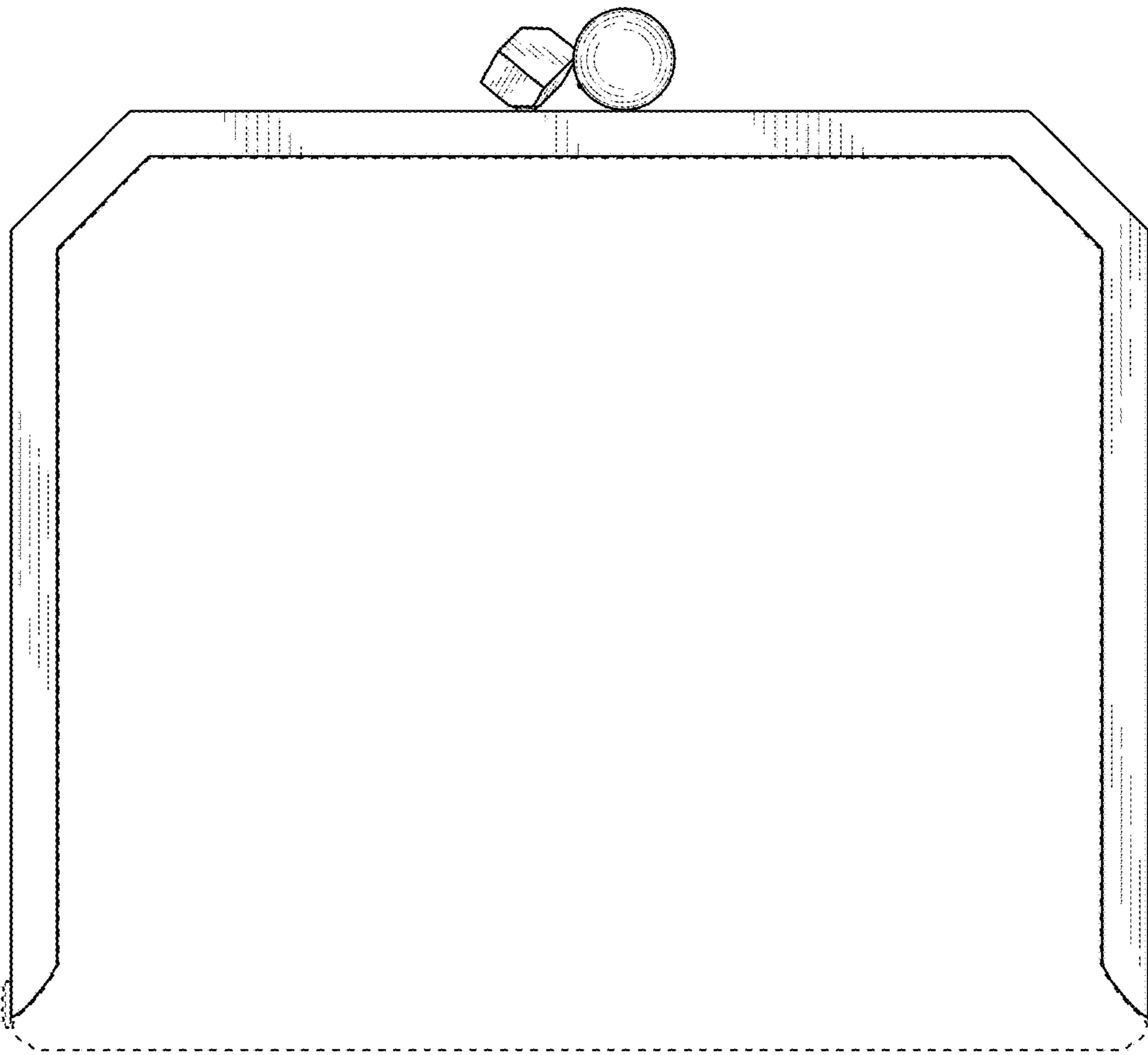


FIG. 10

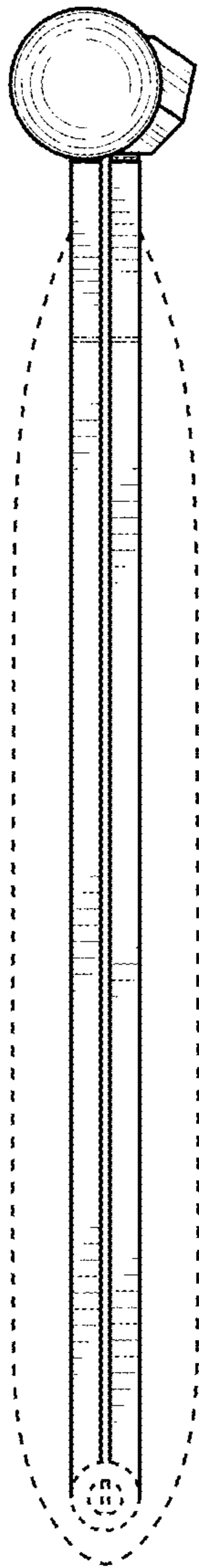


FIG. 11

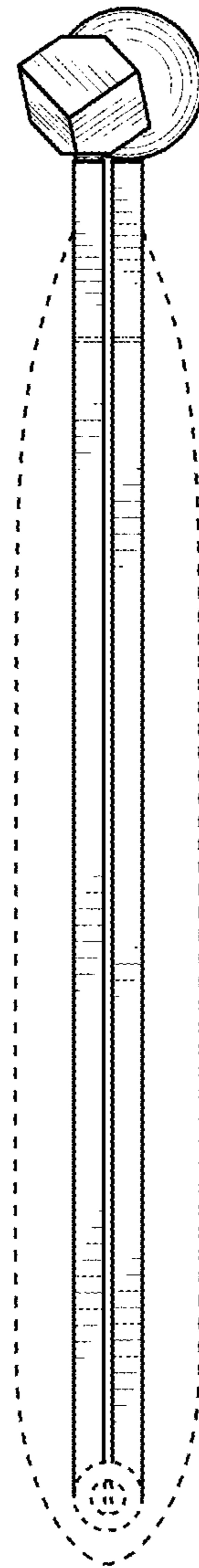


FIG. 12

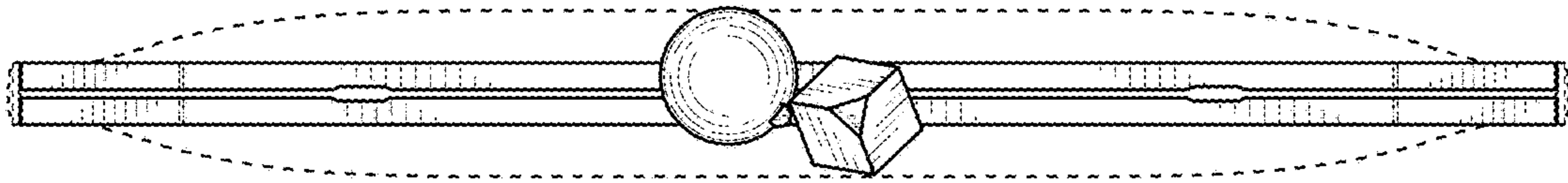


FIG. 13



FIG. 14