



US00D808154S

(12) **United States Design Patent**  
**Romano**

(10) **Patent No.:** **US D808,154 S**

(45) **Date of Patent:** **\*\* Jan. 23, 2018**

(54) **HANDBAG**

(71) Applicant: **TR Apparel, LLC**, New York, NY  
(US)

(72) Inventor: **Angela Romano**, Brooklyn, NY (US)

(73) Assignee: **TR APPAREL, LLC**, New York, NY  
(US)

(\*\*) Term: **15 Years**

(21) Appl. No.: **29/578,862**

(22) Filed: **Sep. 26, 2016**

(51) **LOC (11) Cl.** ..... **03-01**

(52) **U.S. Cl.**  
USPC ..... **D3/232**

(58) **Field of Classification Search**  
USPC ..... D3/232-233, 240-243, 245-246  
CPC ..... A45C 1/024; A45C 3/06  
See application file for complete search history.

(56) **References Cited**

**U.S. PATENT DOCUMENTS**

D662,317 S \* 6/2012 Della Valle ..... D3/232  
D731,787 S \* 6/2015 Sullivan-Stevens ..... D3/232  
D740,022 S \* 10/2015 Chadwell ..... D3/232

\* cited by examiner

*Primary Examiner* — Holly H Baynham

(74) *Attorney, Agent, or Firm* — Sheppard Mullin; Daniel  
Yannuzzi; Jonathan Marina

(57) **CLAIM**

I claim the ornamental design for a handbag, as shown and  
described.

**DESCRIPTION**

FIG. 1 is a top, left, and front side perspective view of an  
ornamental design for a handbag, with a detachable internal  
bag attached to the handbag;

FIG. 2 is a front side elevational view thereof;

FIG. 3 is a rear side elevational view thereof;

FIG. 4 is a left side elevational view thereof;

FIG. 5 is a right side elevational view thereof;

FIG. 6 is a top plan view thereof;

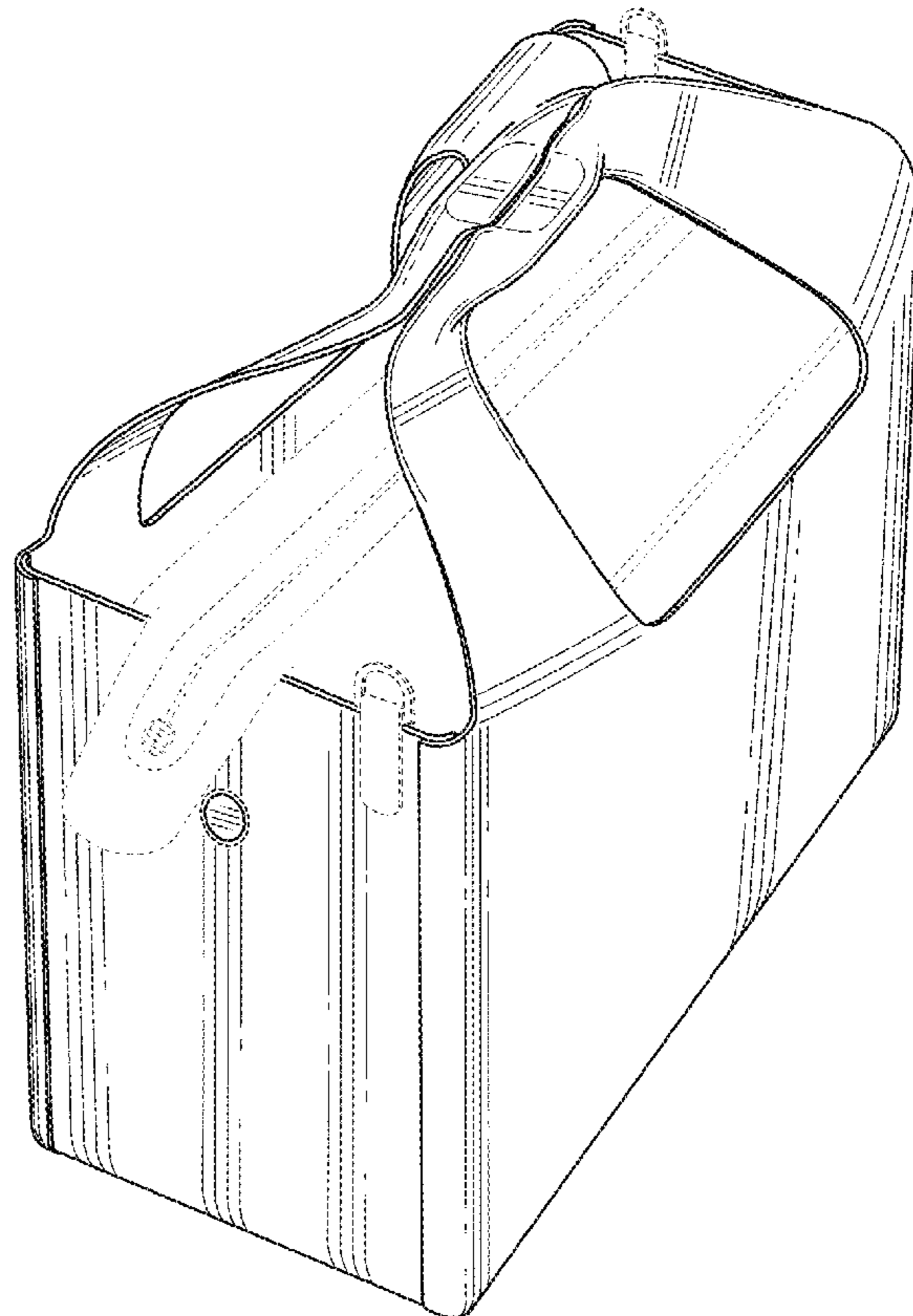
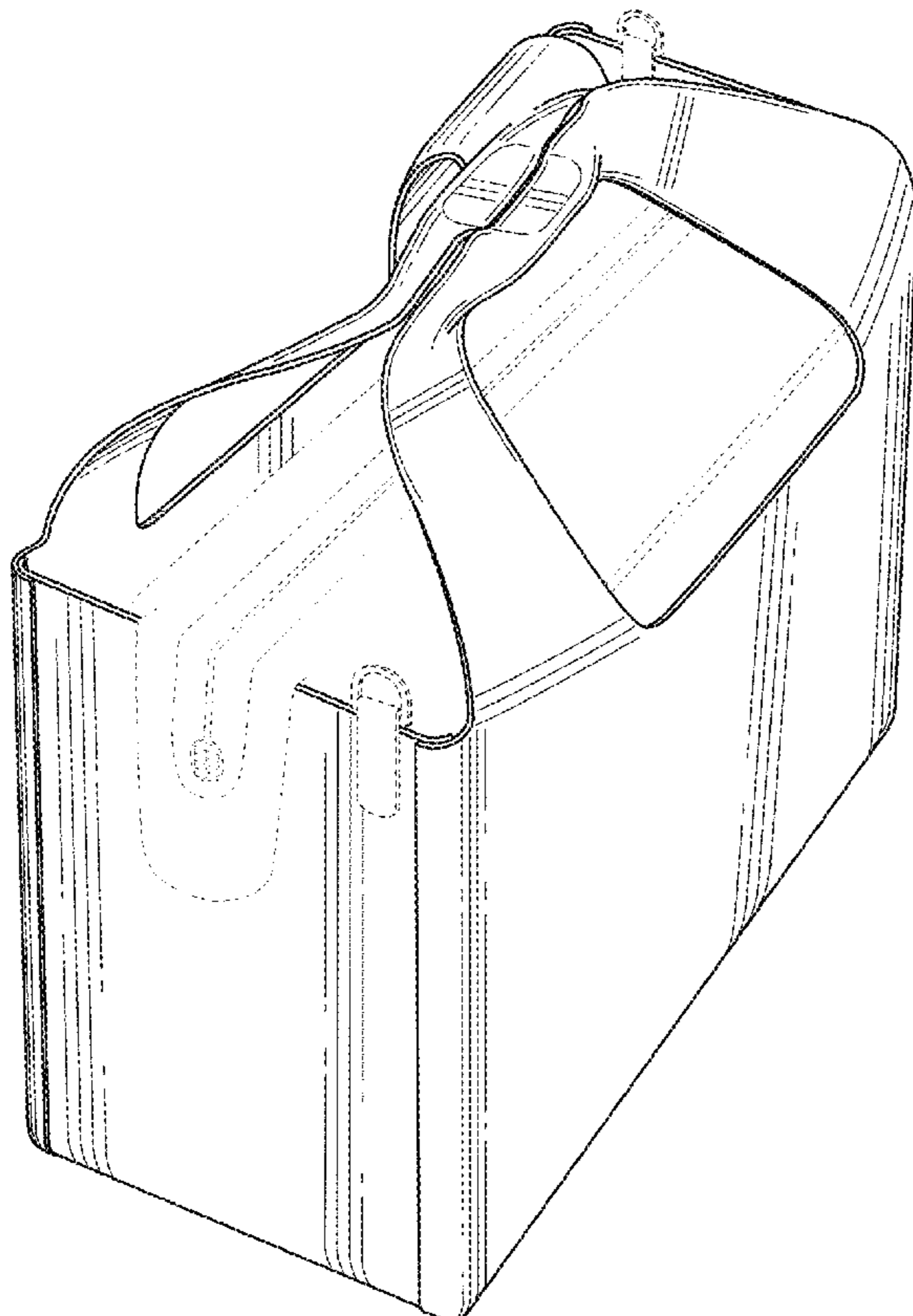
FIG. 7 is a bottom plan view thereof;

FIG. 8 is a top, left, and front side perspective view of the  
handbag; and,

FIG. 9 is a top, left, and front side perspective view of the  
handbag, with the internal bag detached and removed.

The broken line showings of the handbag form no part of the  
claimed design. Furthermore, the broken line showings of  
the internal bag illustrate the environment and form no part  
of the claimed design.

**1 Claim, 9 Drawing Sheets**



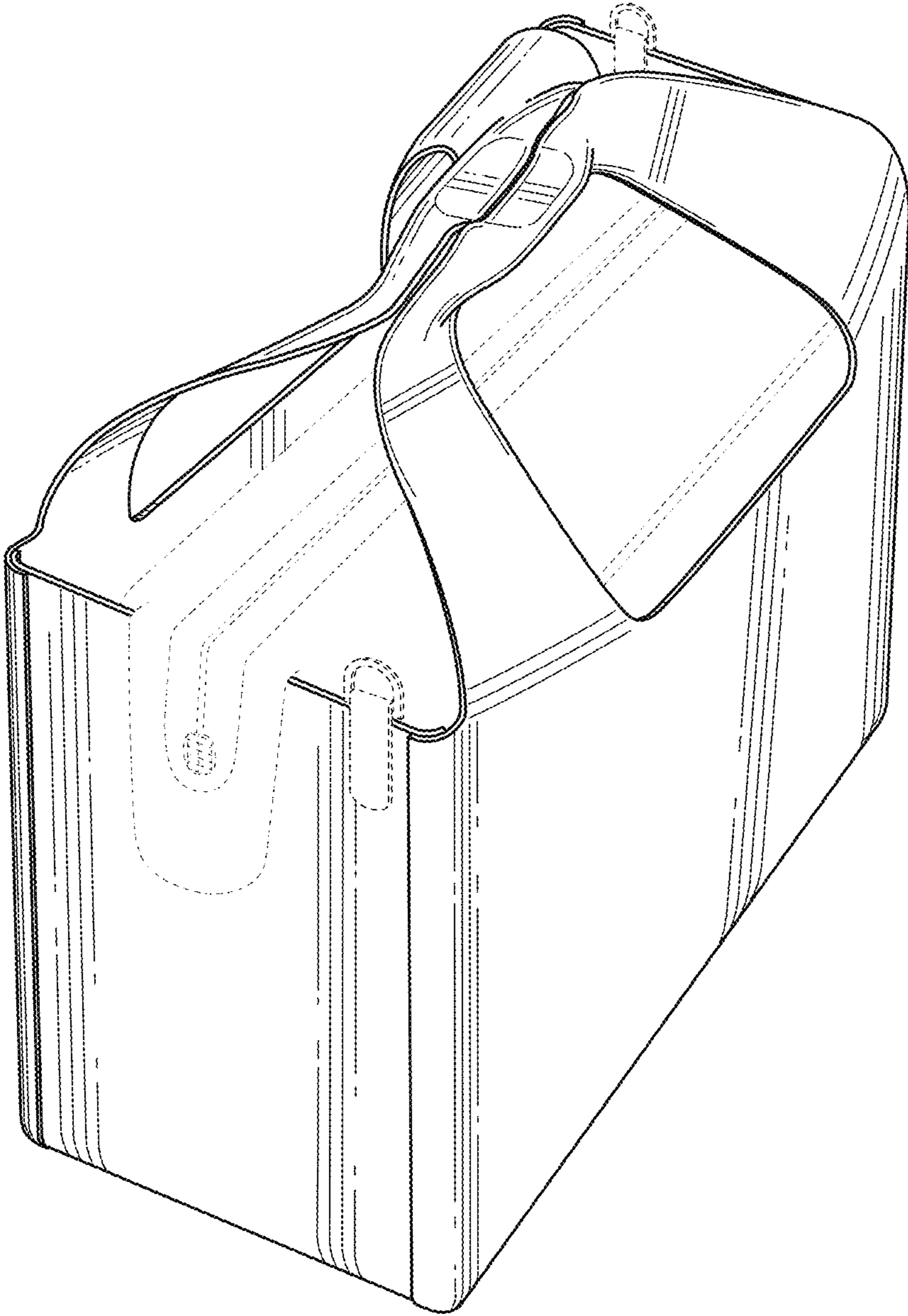


FIG. 1

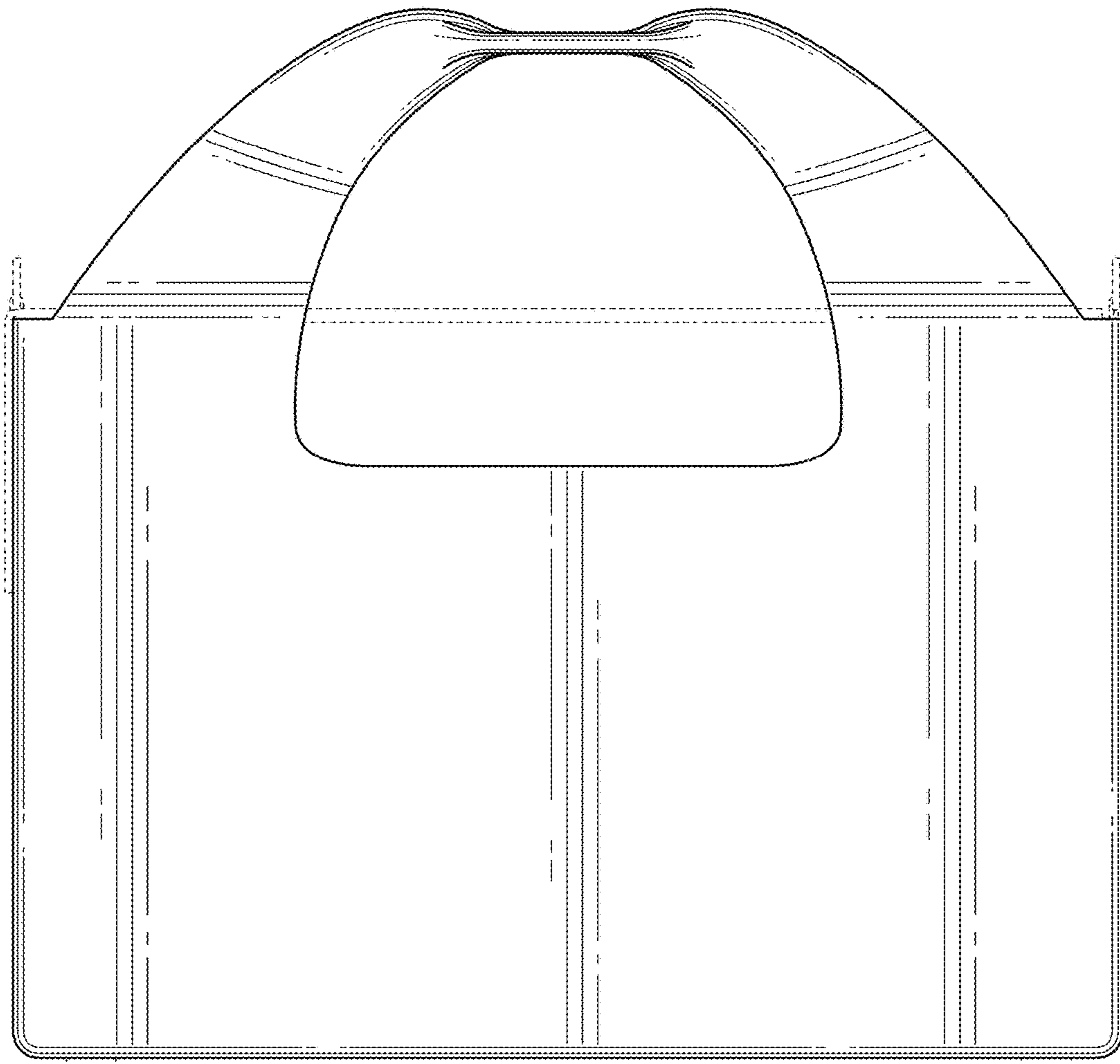


FIG. 2

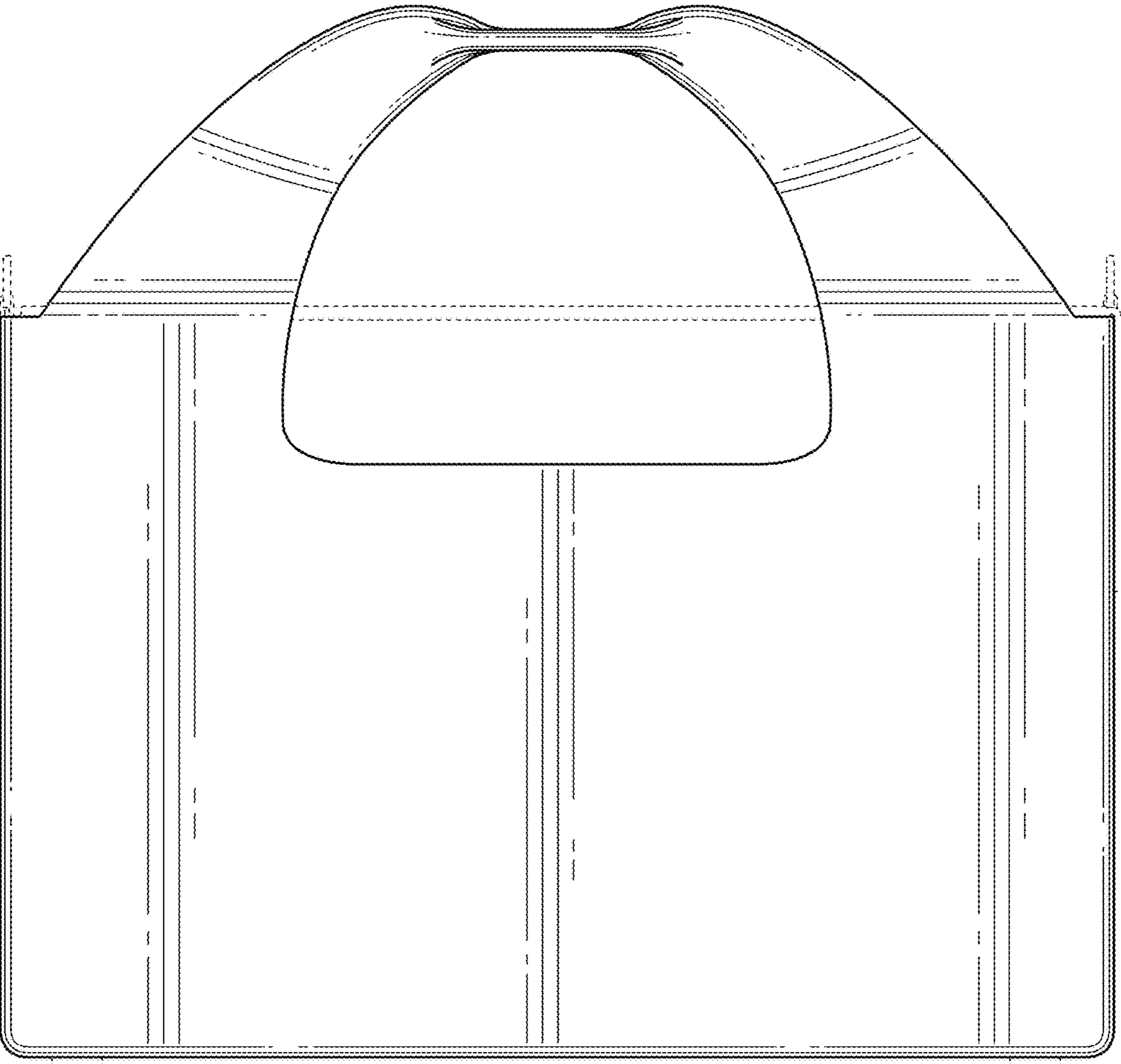


FIG. 3

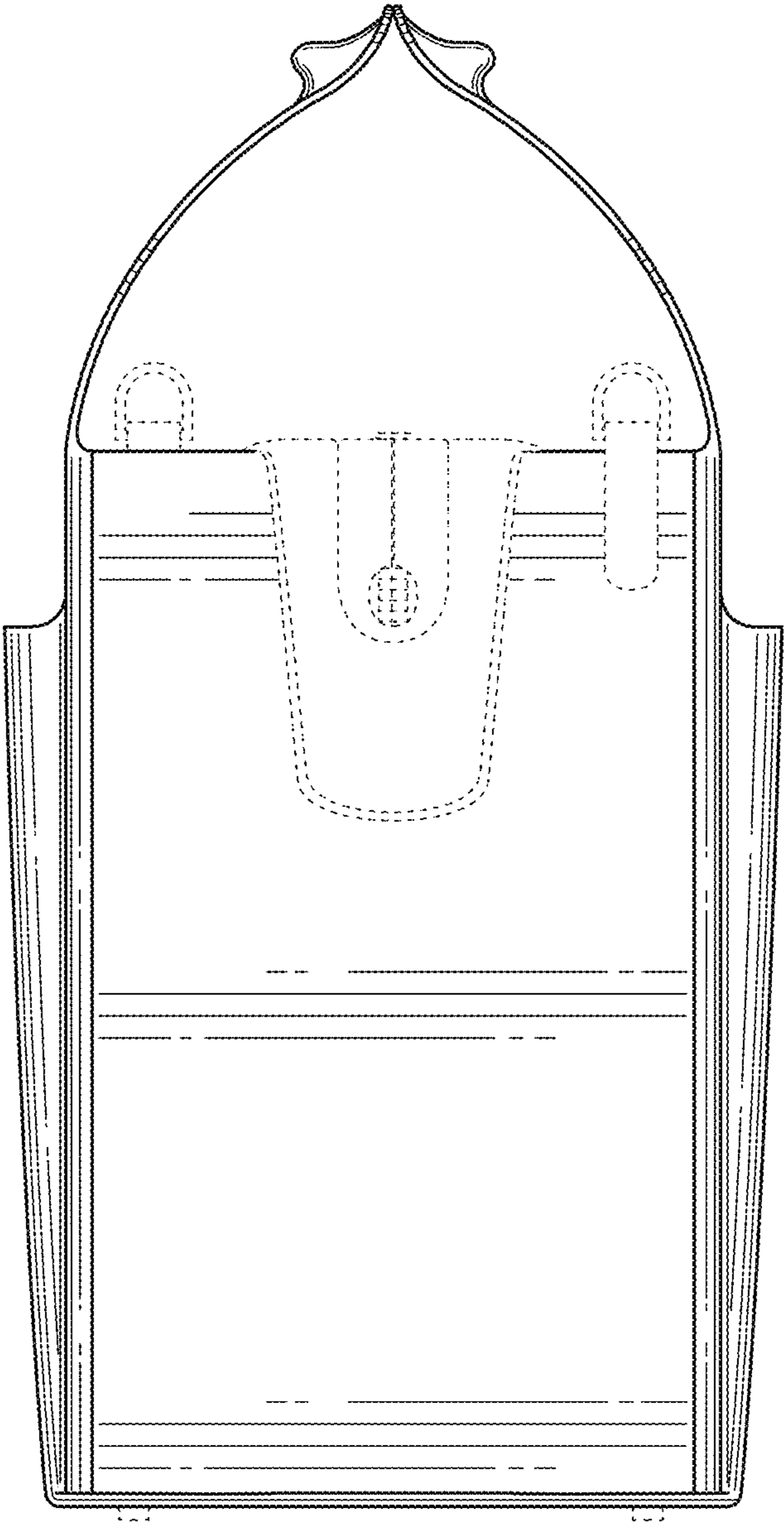


FIG. 4

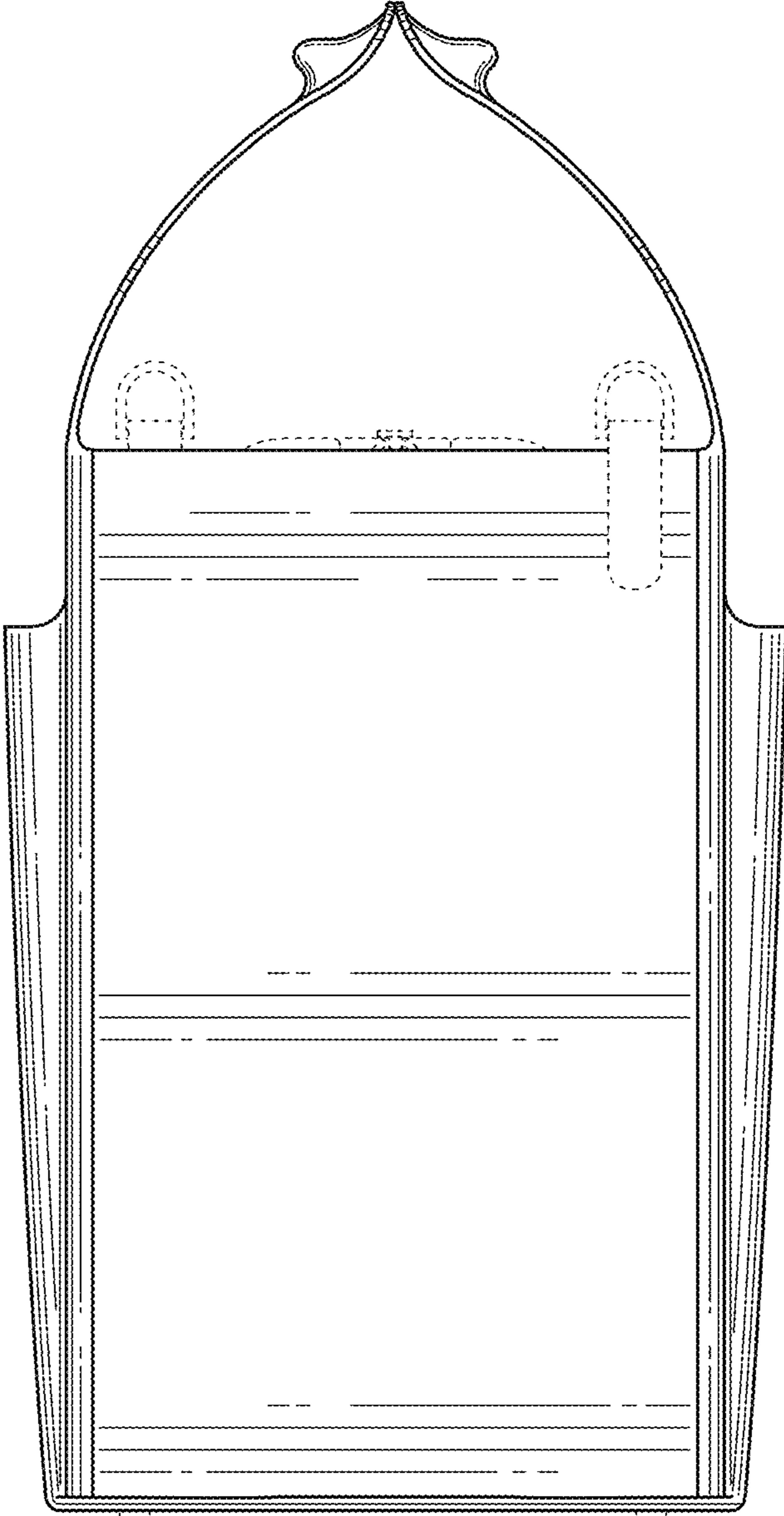


FIG. 5

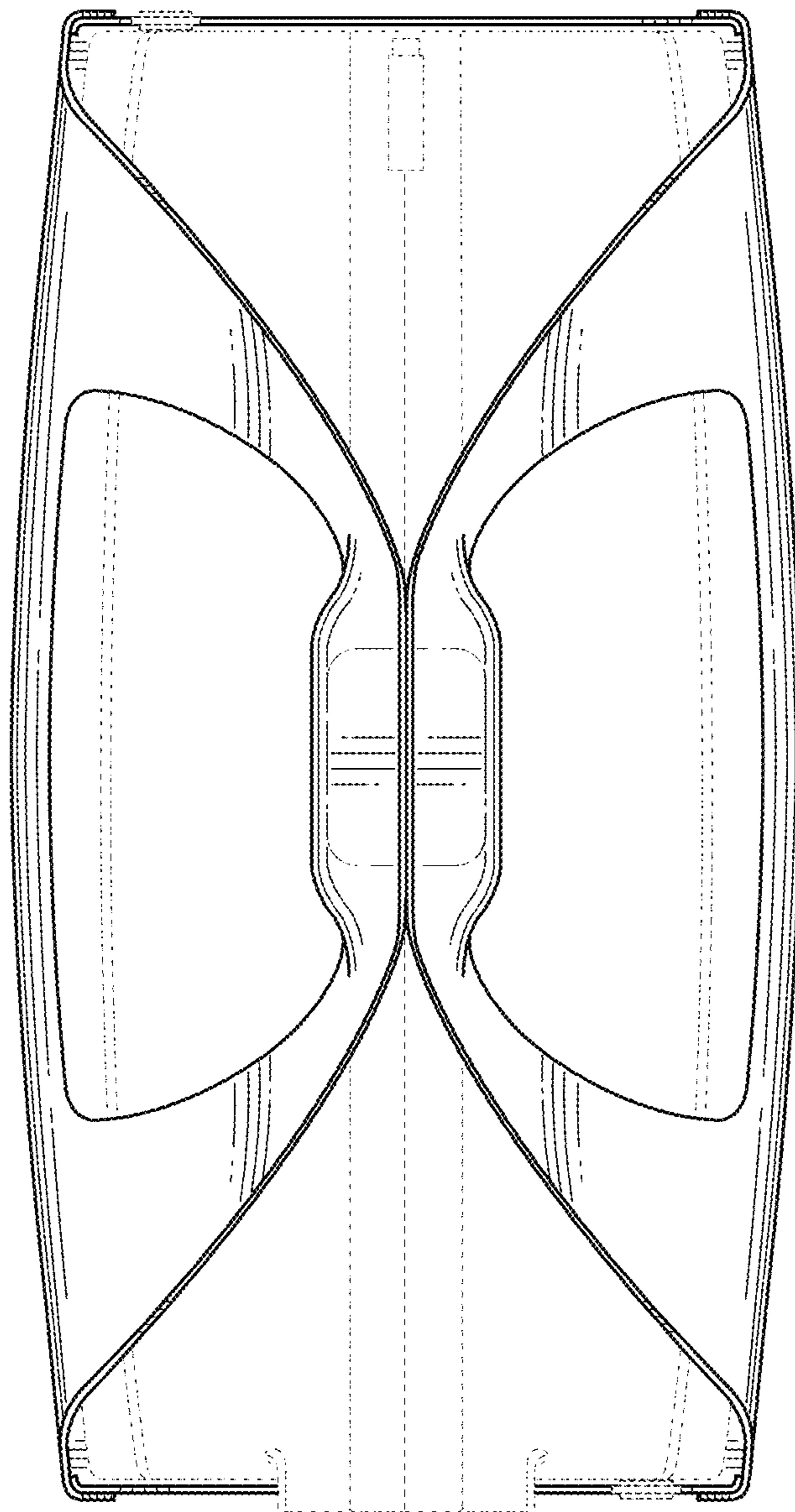


FIG. 6

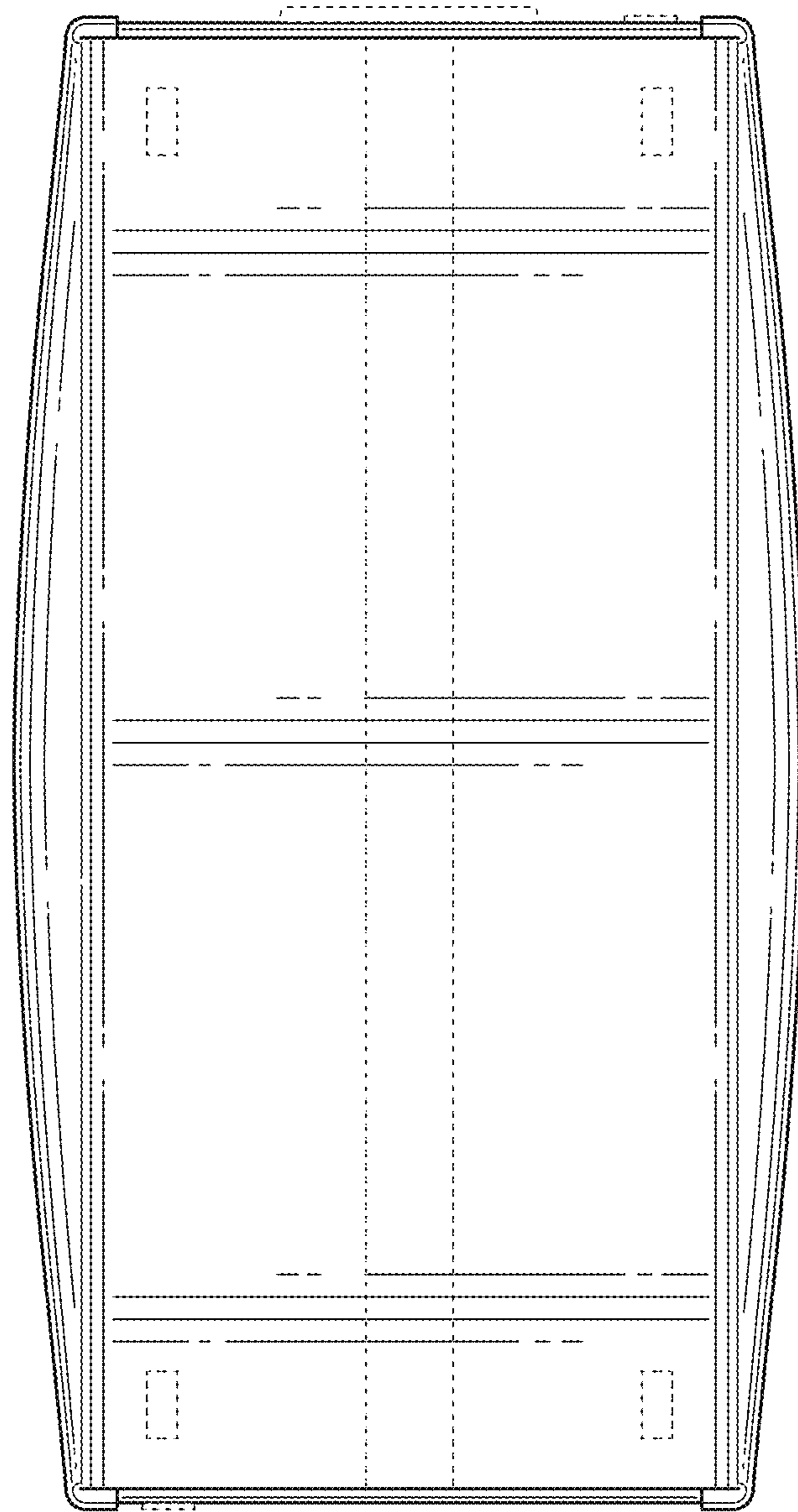


FIG. 7



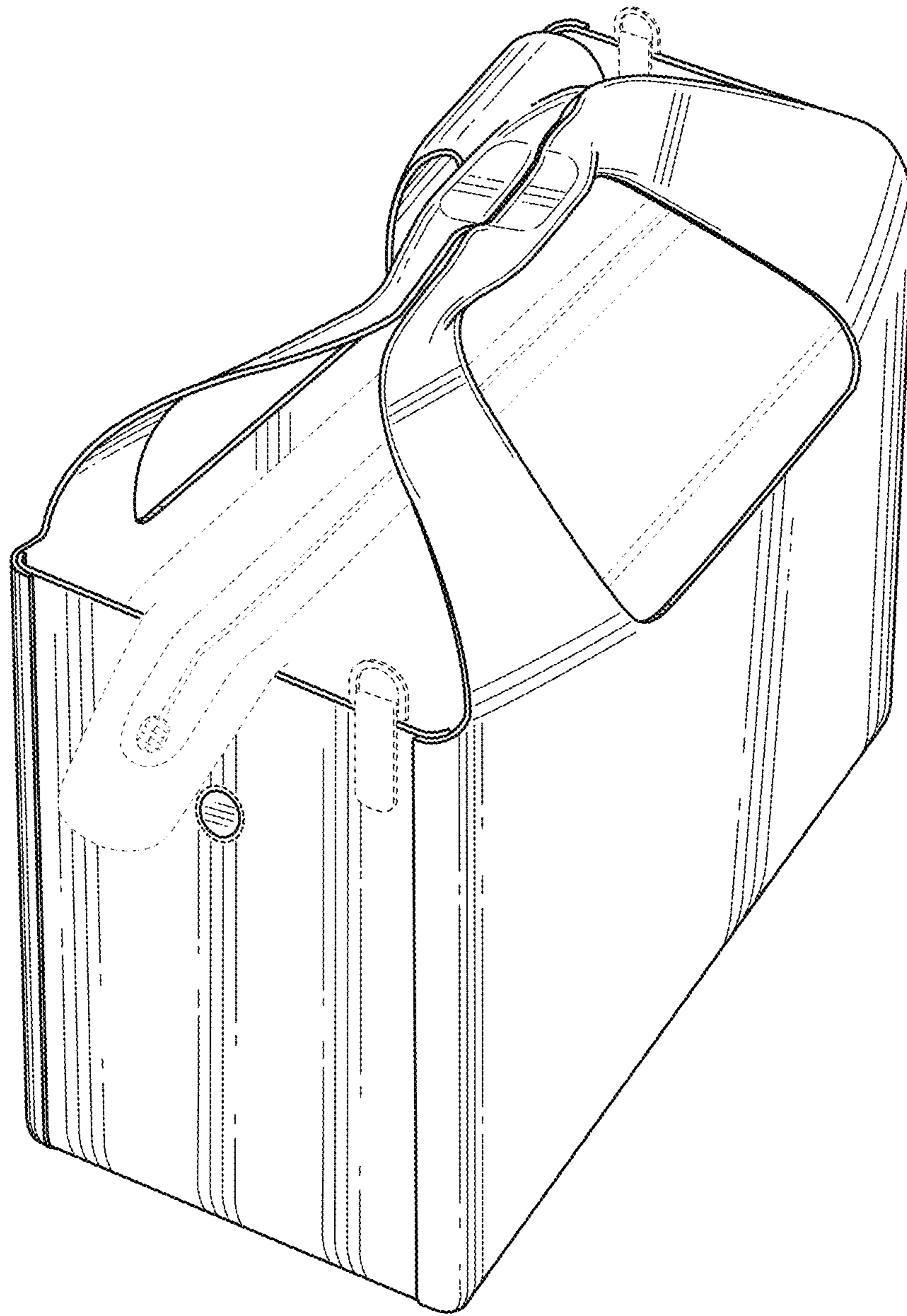


FIG. 8

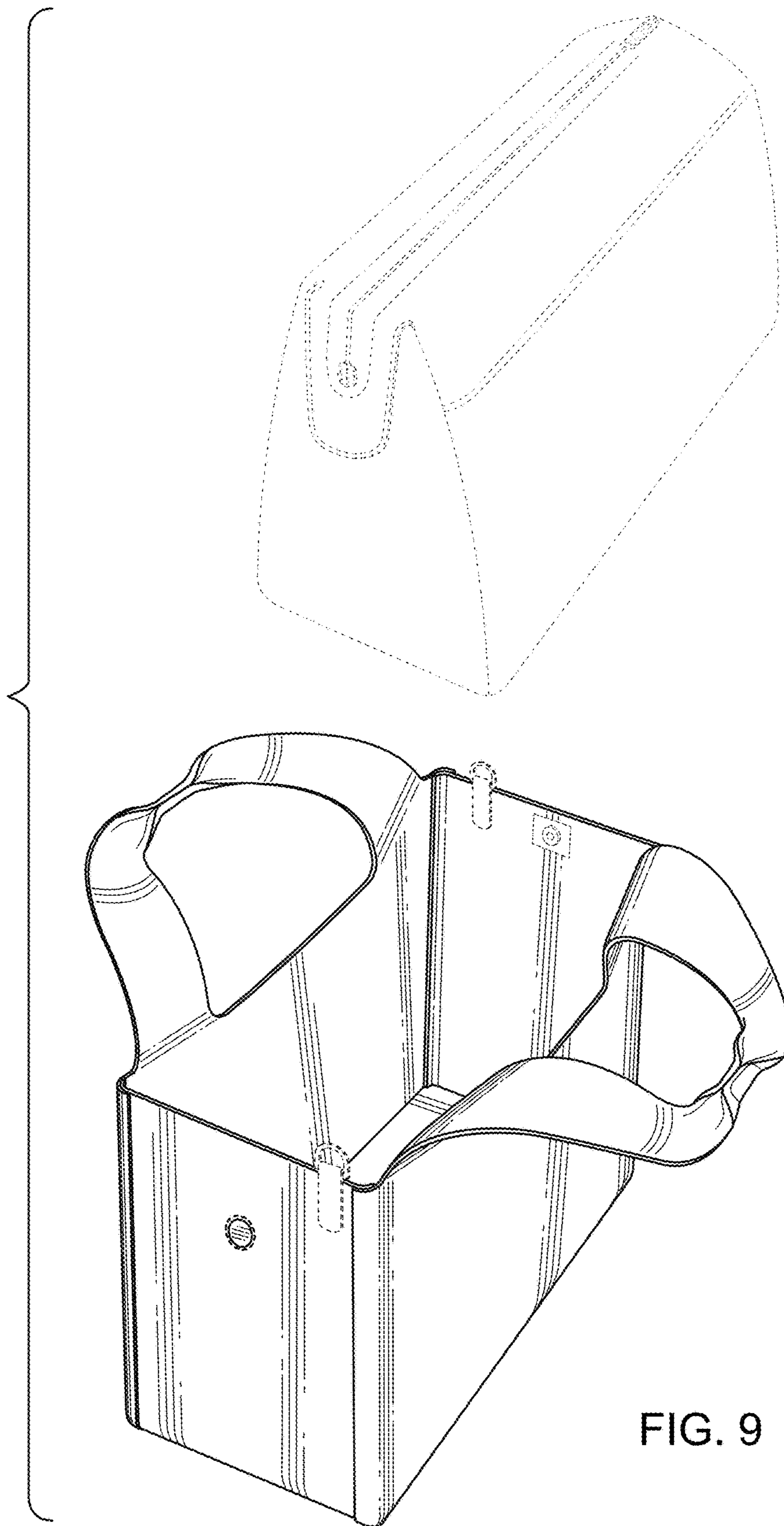


FIG. 9