



US00D808152S

(12) **United States Design Patent**
Giannopoulos et al.

(10) **Patent No.:** **US D808,152 S**

(45) **Date of Patent:** **** Jan. 23, 2018**

(54) **CASE**

(71) Applicant: **Tac Life Systems LLC**, Walpole, MA
(US)

(72) Inventors: **Peter Giannopoulos**, Walpole, MA
(US); **Frank Nogueira**, Boston, MA
(US); **Joshua Delisle**, Jamaica Plain,
MA (US); **Leo Manning**, Dorchester,
MA (US)

(73) Assignee: **Tac Life Systems LLC**, Walpole, MA
(US)

(**) Term: **15 Years**

(21) Appl. No.: **29/548,370**

(22) Filed: **Dec. 13, 2015**

(51) **LOC (11) Cl.** **03-01**

(52) **U.S. Cl.**
USPC **D3/203.1**

(58) **Field of Classification Search**
USPC D3/201, 203.1, 203.2, 203.3, 203.4,
D3/203.5, 203.6, 203.7, 203.8, 202, 294;
D9/501, 503, 420, 426; D24/216, 224
CPC B65D 11/02; B65D 11/20; B65D 25/10;
B65D 43/22; A61M 5/002
See application file for complete search history.

(56) **References Cited**

U.S. PATENT DOCUMENTS

D357,067 S * 4/1995 Laun D24/137
D370,337 S * 6/1996 Hodson D3/201
D399,540 S * 10/1998 Wolfenstein D21/392
D447,331 S * 9/2001 Martin D3/201
D455,253 S * 4/2002 Byrne D3/203.1
D481,532 S * 11/2003 Sayers D3/203.1
D559,396 S * 1/2008 Dave D24/121

D571,100 S * 6/2008 Nassos D3/203.6
D578,301 S * 10/2008 King D3/201
D649,776 S * 12/2011 Tyybakinoja D3/201
D662,320 S * 6/2012 De Leo D3/201

(Continued)

Primary Examiner — John Windmuller

Assistant Examiner — Steven Czyz

(74) *Attorney, Agent, or Firm* — Brian M. Dingman;
Dingman IP Law, PC

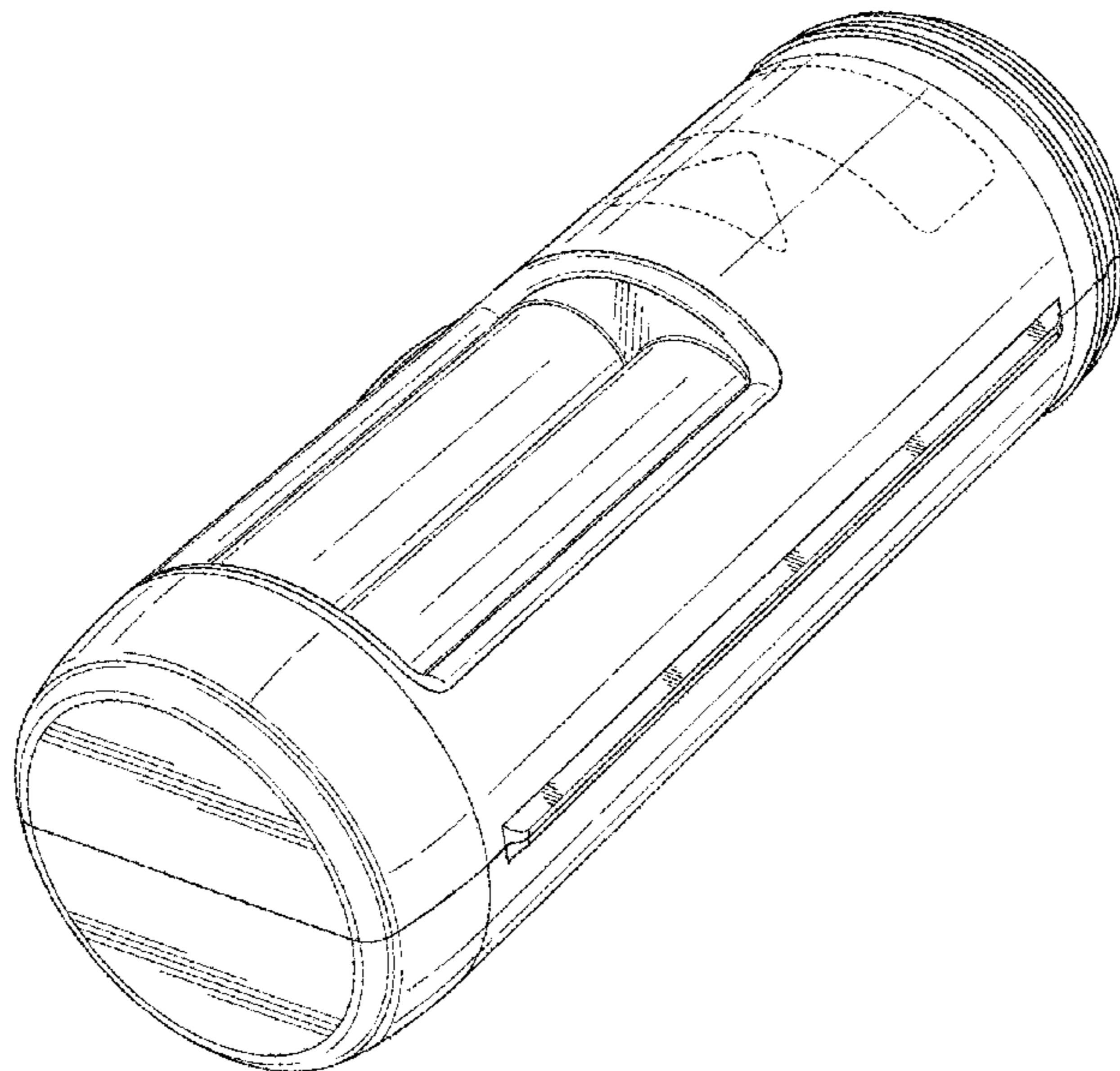
(57) **CLAIM**

The ornamental design for a case, as shown and described.

DESCRIPTION

FIG. 1 is a front perspective view of a case showing our new design;
FIG. 2 is a rear perspective view of the case of FIG. 1;
FIG. 3 is a front elevation view of the case of FIG. 1;
FIG. 4 is a rear elevation view of the case of FIG. 1;
FIG. 5 is a left side elevation view of the case of FIG. 1;
FIG. 6 is a right side elevation view of the case of FIG. 1;
FIG. 7 is a top plan view of the case of FIG. 1;
FIG. 8 is a bottom plan view of the case of FIG. 1;
FIG. 9 is a front perspective view of the case of FIG. 1 opened;
FIG. 10 is a rear perspective view of the case of FIG. 1 opened;
FIG. 11 is a front elevation view of the case of FIG. 1 opened;
FIG. 12 is a rear elevation view of the case of FIG. 1 opened;
FIG. 13 is a left side elevation view of the case of FIG. 1 opened;
FIG. 14 is a right side elevation view of the case of FIG. 1 opened;
FIG. 15 is a top plan view of the case of FIG. 1 opened; and,
FIG. 16 is a bottom plan view of the case of FIG. 1 opened.
The broken lines form no part of the claimed design.

1 Claim, 16 Drawing Sheets



(56)

References Cited

U.S. PATENT DOCUMENTS

D663,943 S * 7/2012 Walsh D3/203.1
D698,539 S * 2/2014 Dhillon D3/201
D740,018 S * 10/2015 Zhang D3/201
D742,641 S * 11/2015 Koh D3/294
D753,397 S * 4/2016 Brunner D3/281
D772,572 S * 11/2016 Palmborg D3/201
D788,926 S * 6/2017 Parlante D24/176
2008/0029345 A1* 2/2008 Shafir B65D 11/02
186/35
2016/0008692 A1* 1/2016 Townsend A45C 9/00
206/315.1
2017/0137166 A1* 5/2017 Giannopoulos A61M 15/08

* cited by examiner

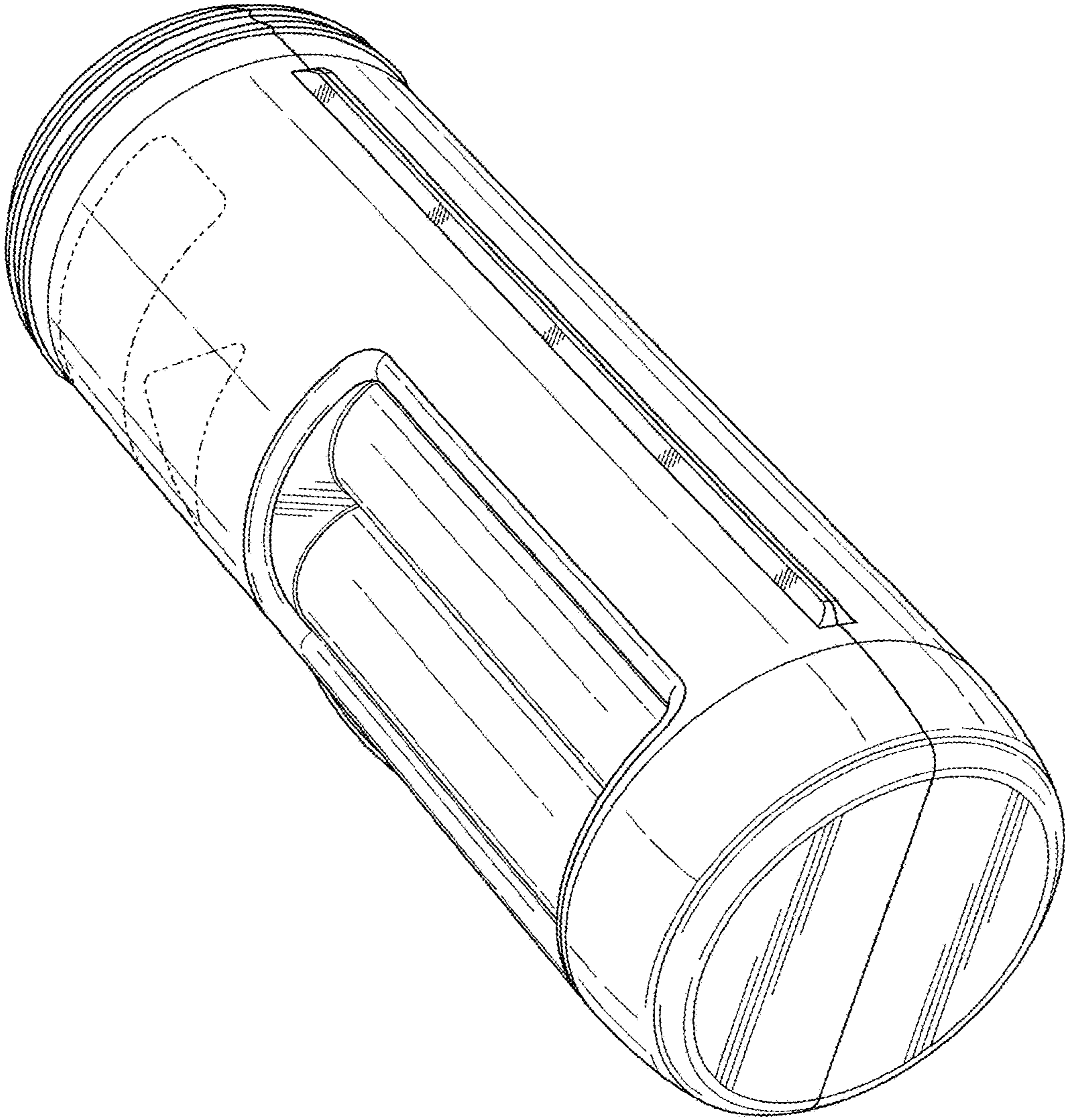


FIG. 1

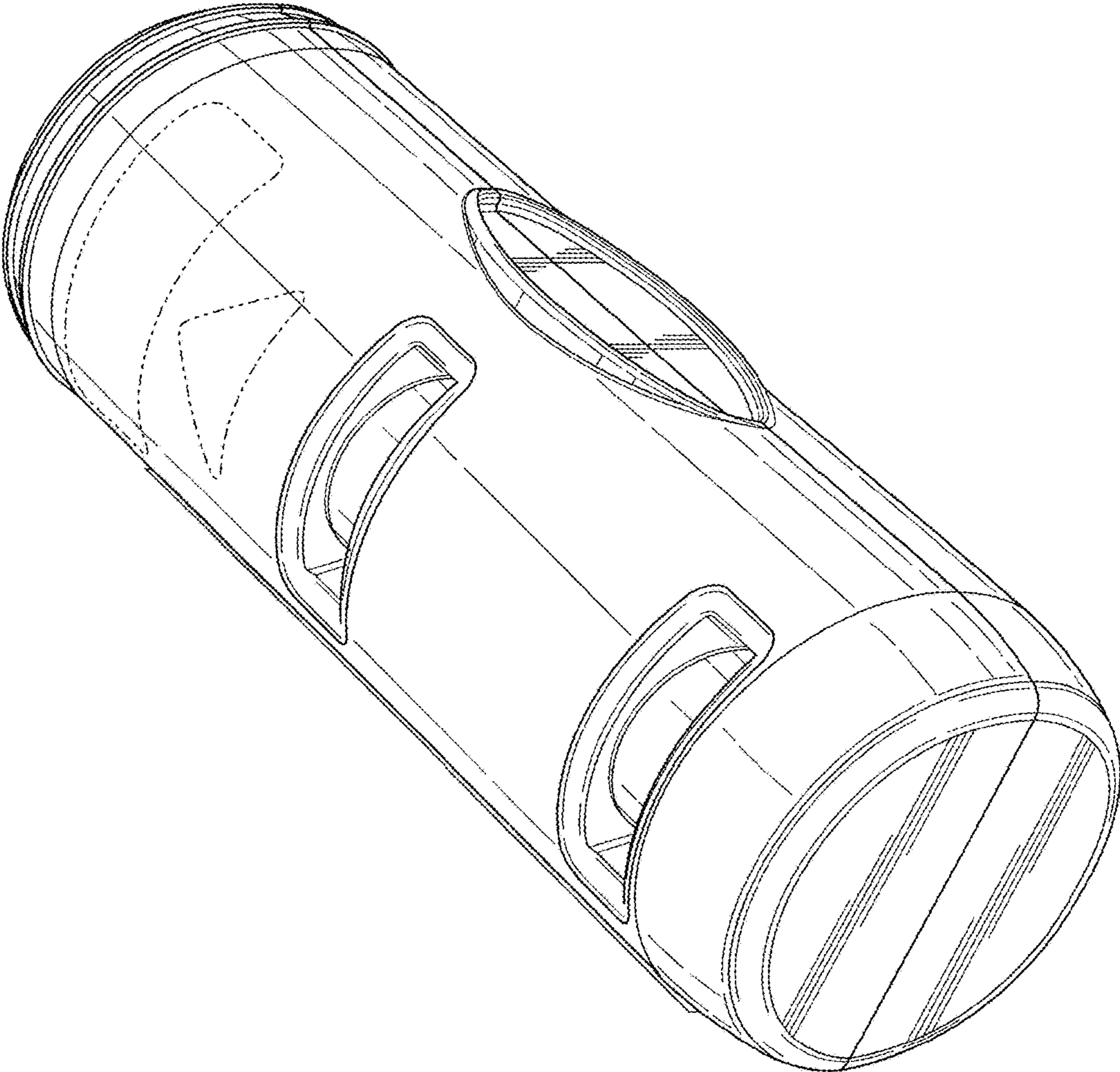


FIG. 2

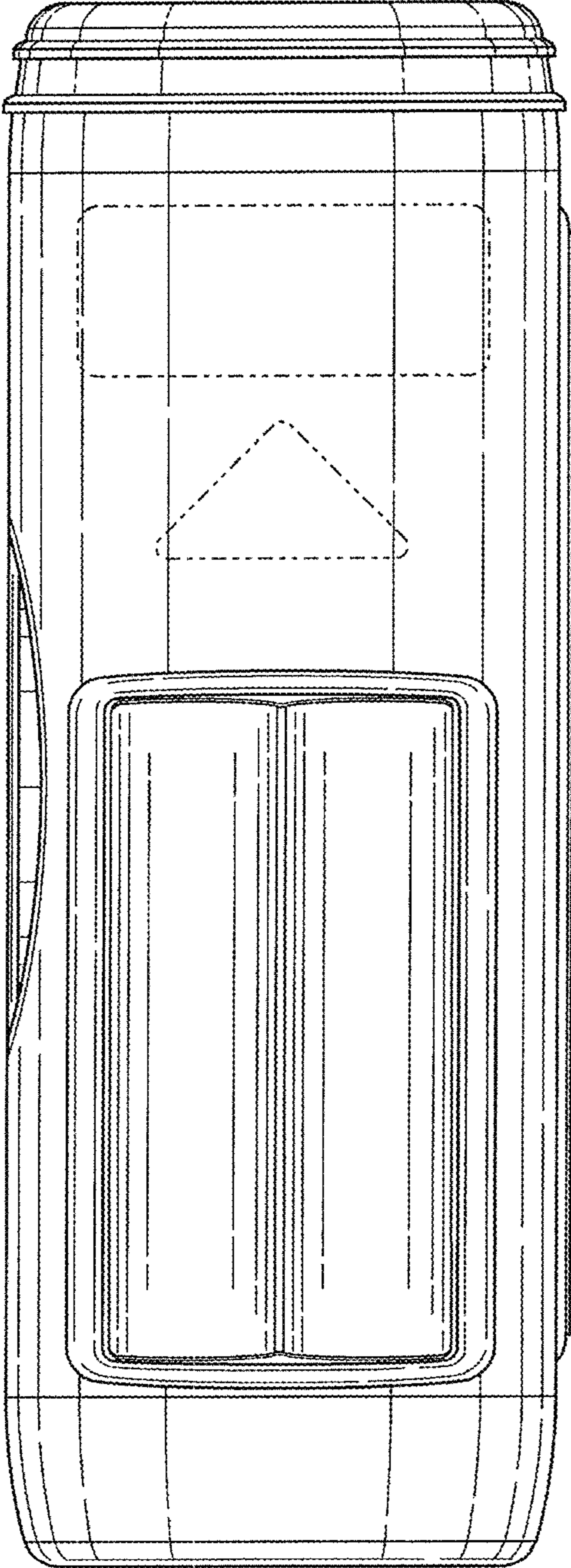


FIG. 3

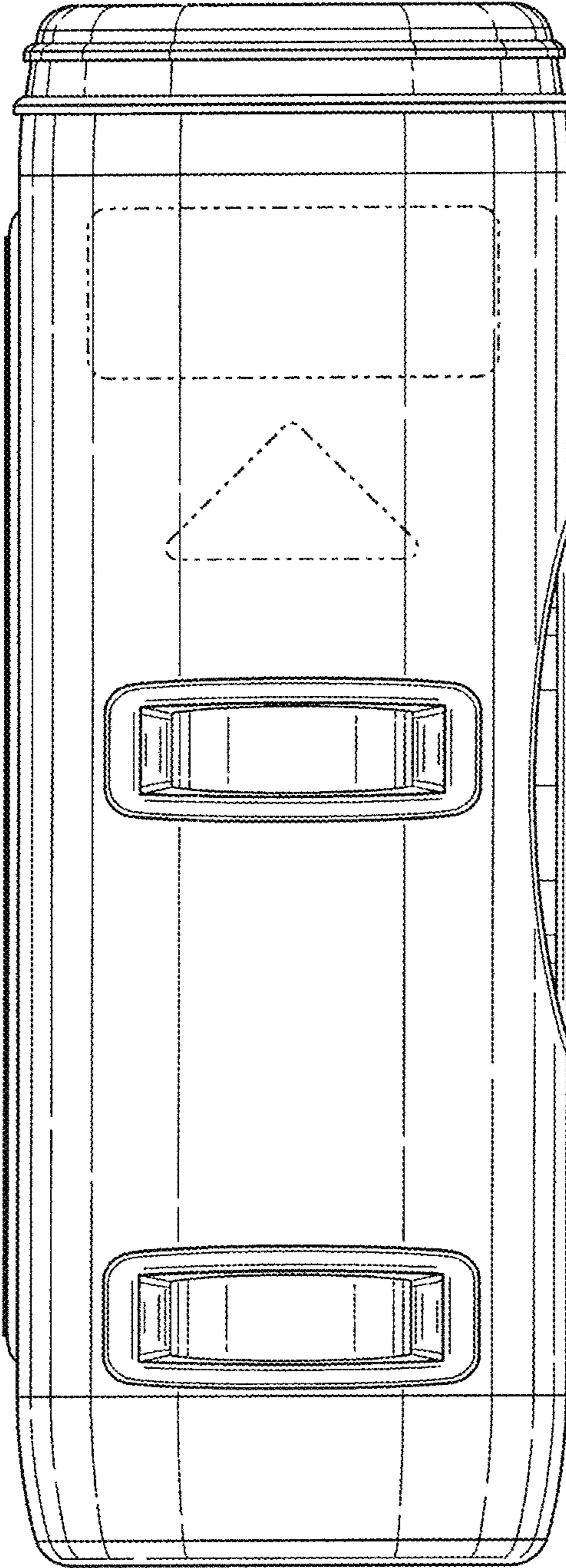


FIG. 4

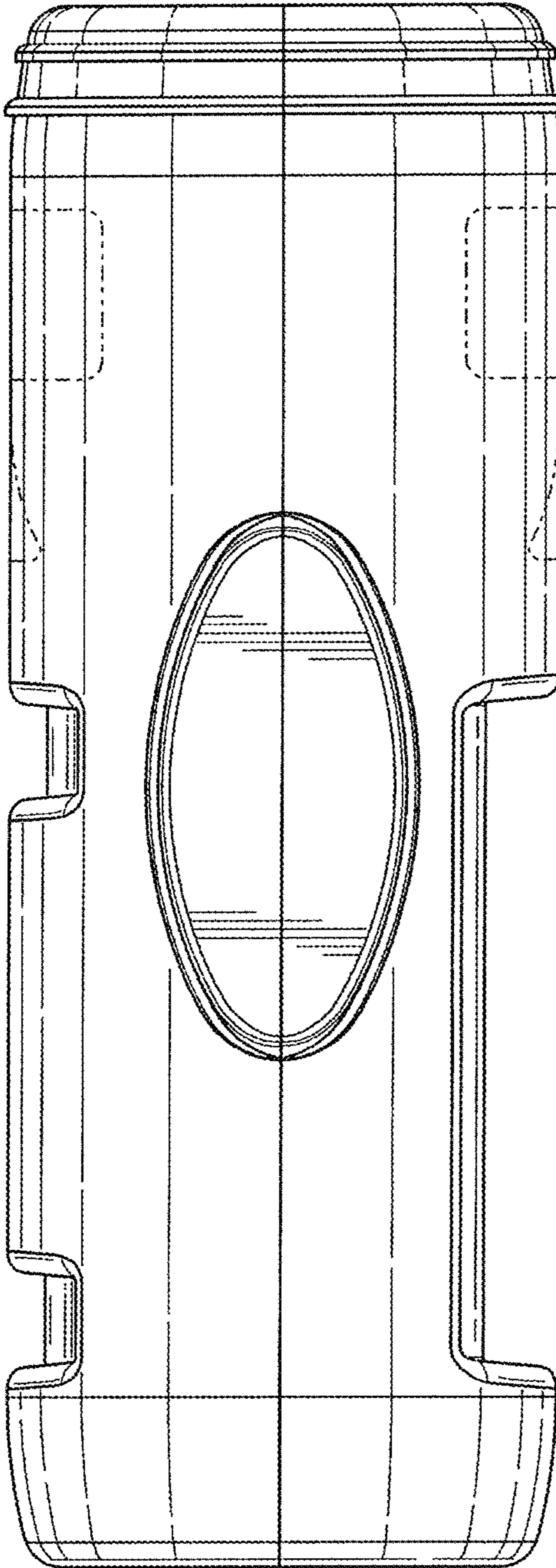


FIG. 5

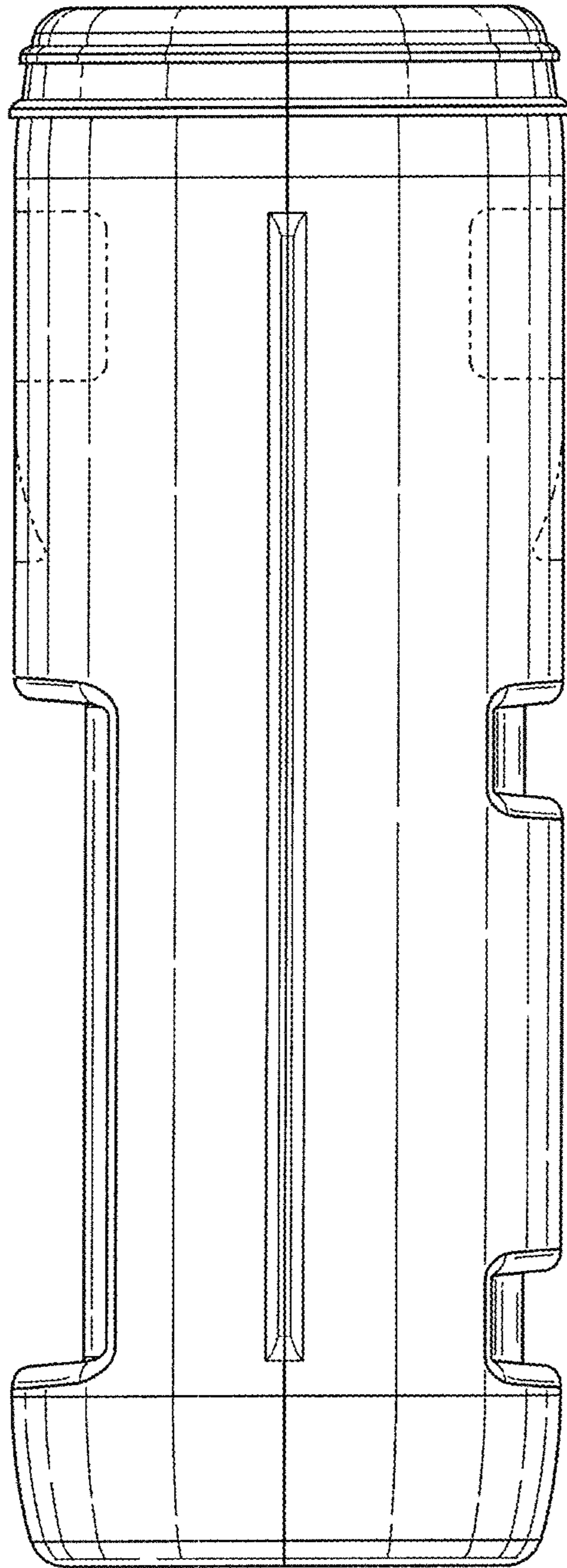


FIG. 6

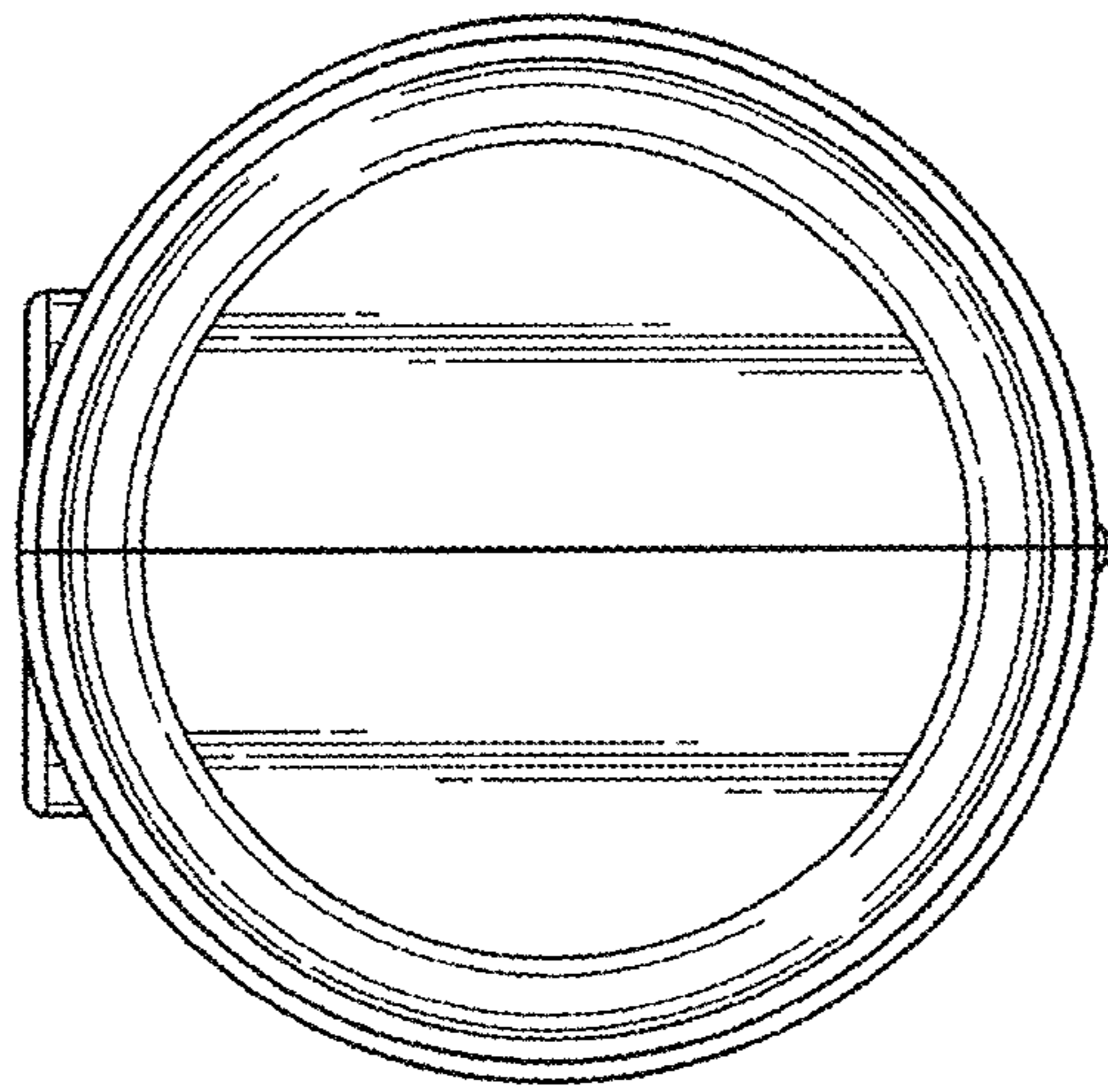


FIG. 7

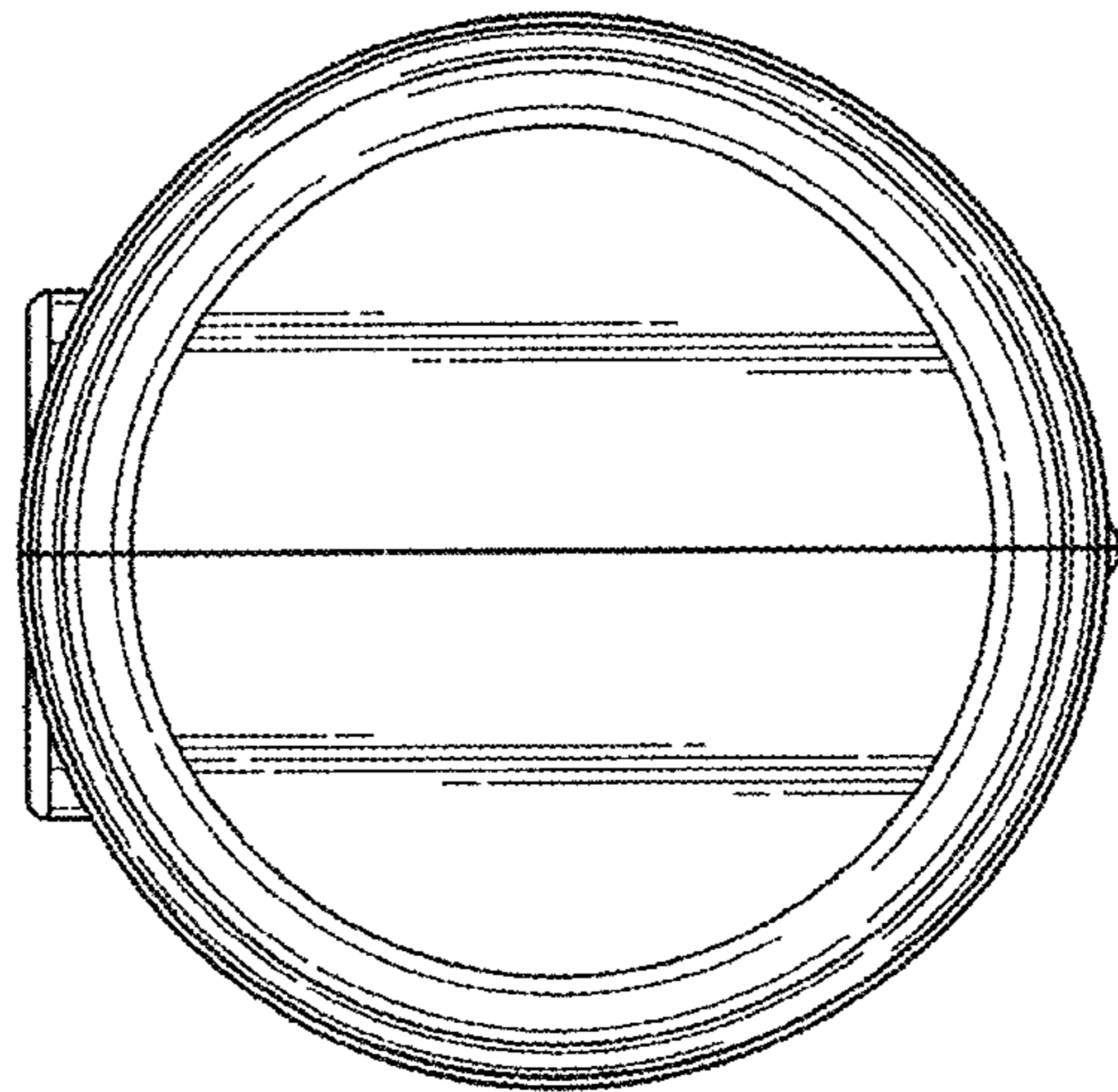


FIG. 8

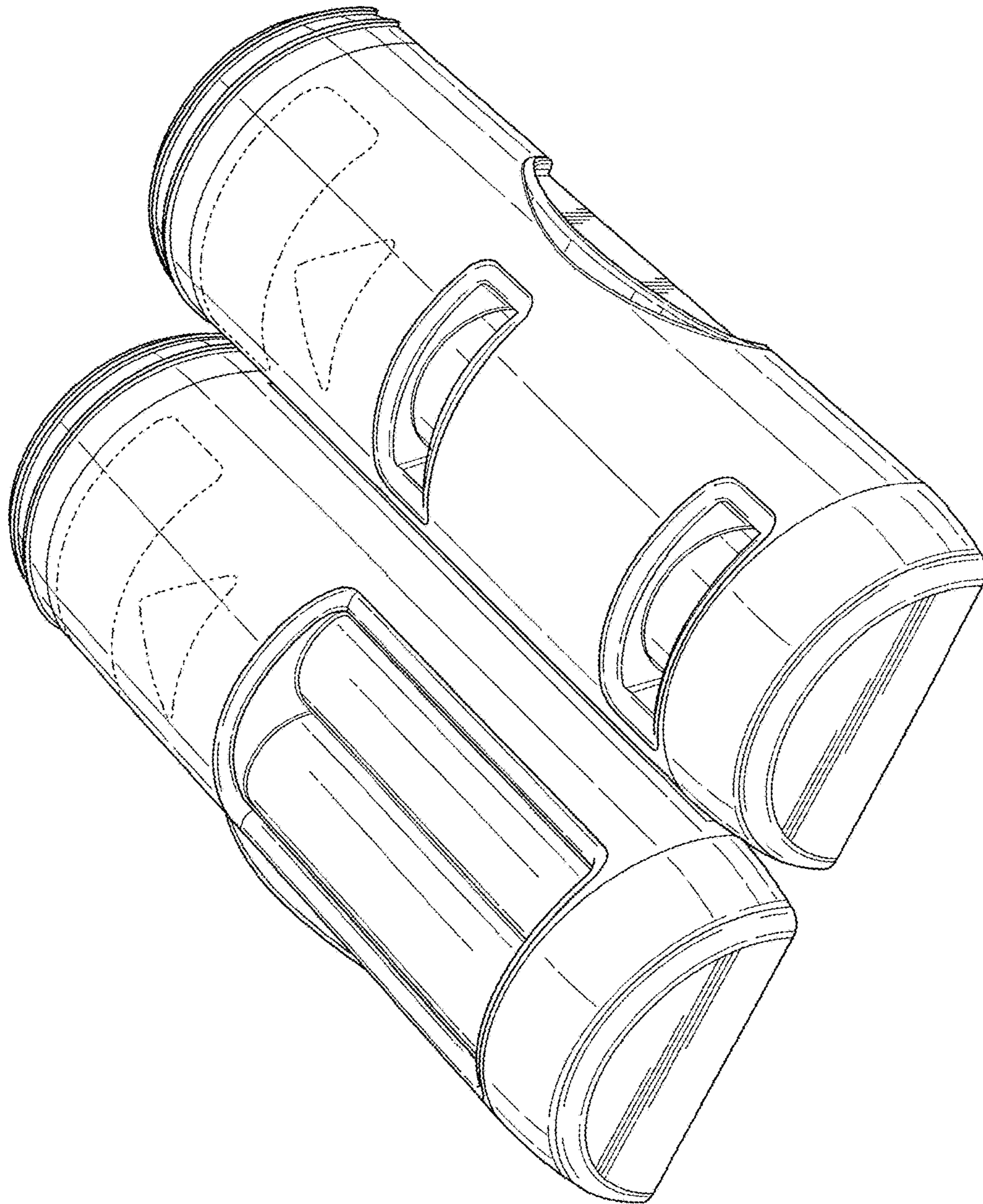


FIG. 9

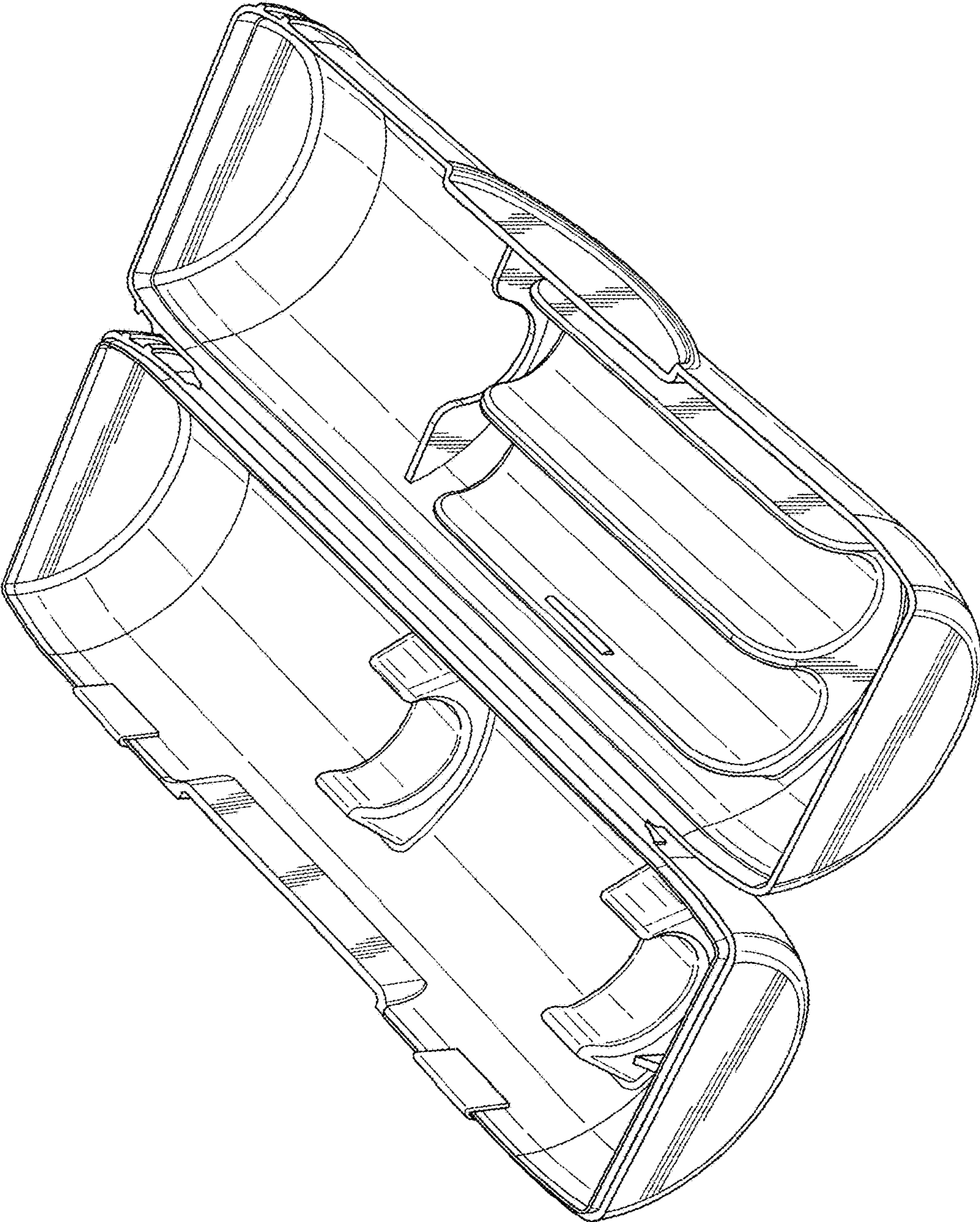


FIG. 10

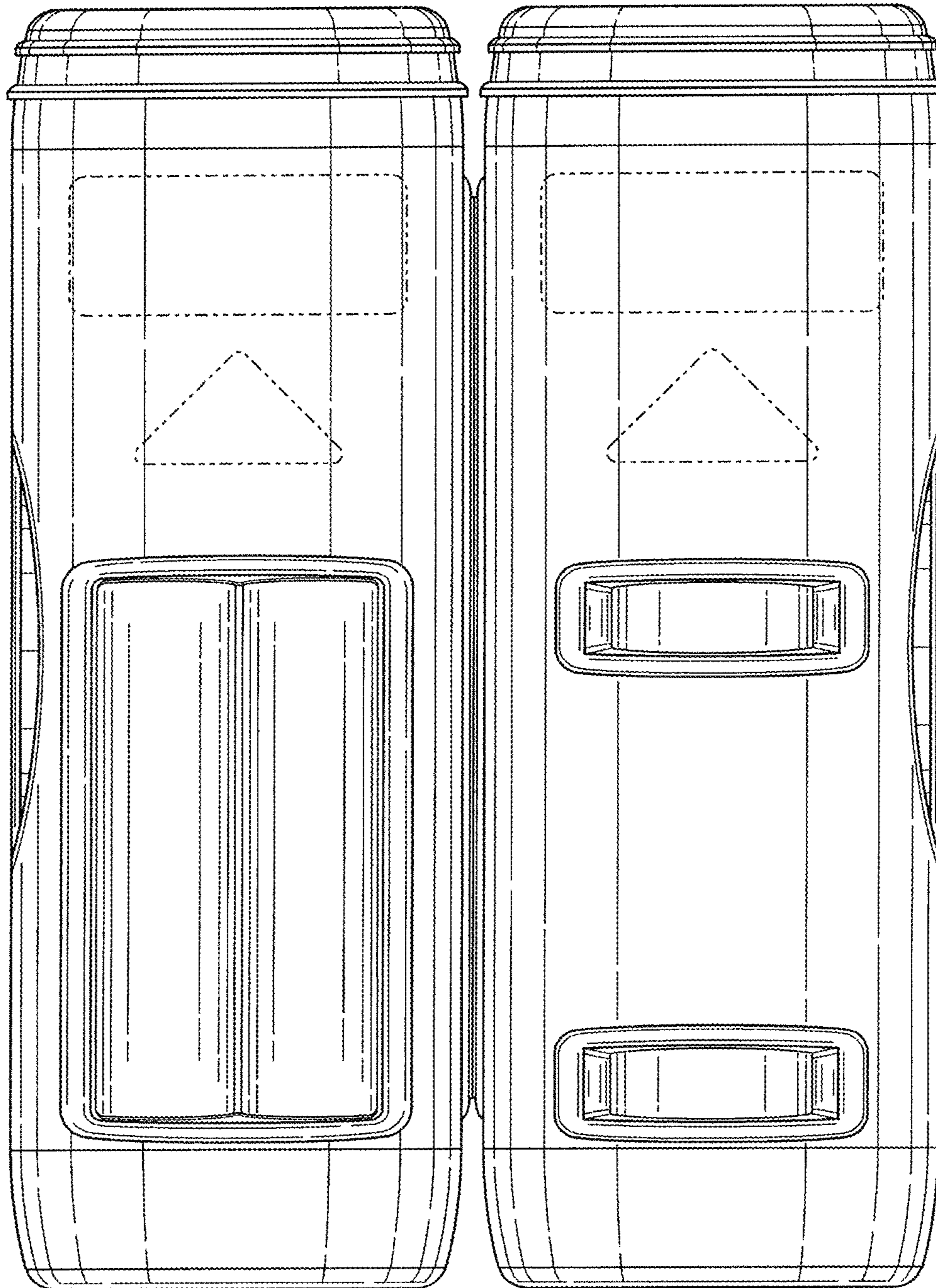


FIG. 11



FIG. 12

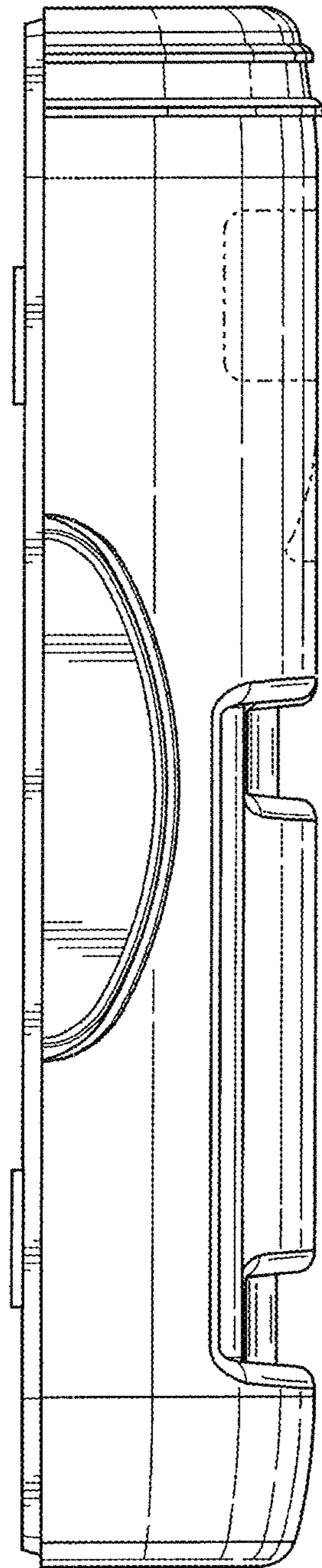


FIG. 13

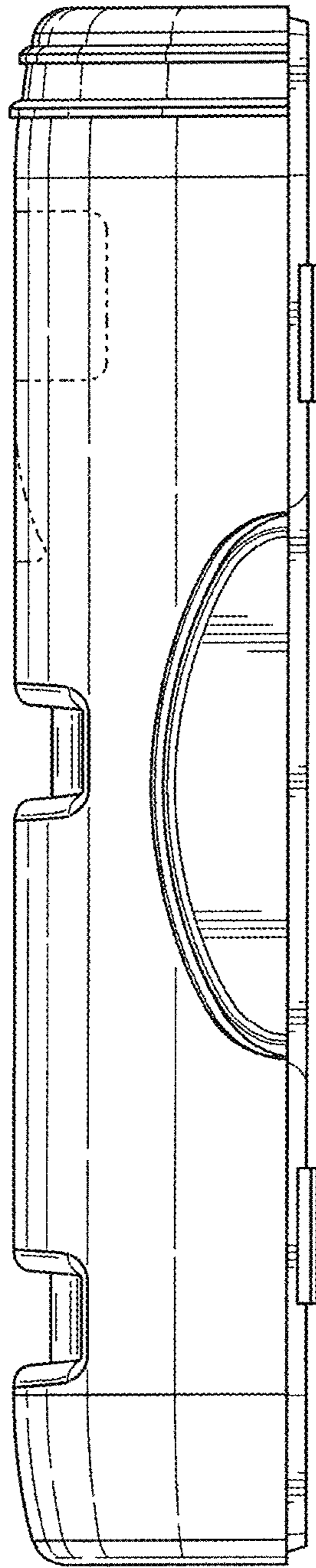


FIG. 14

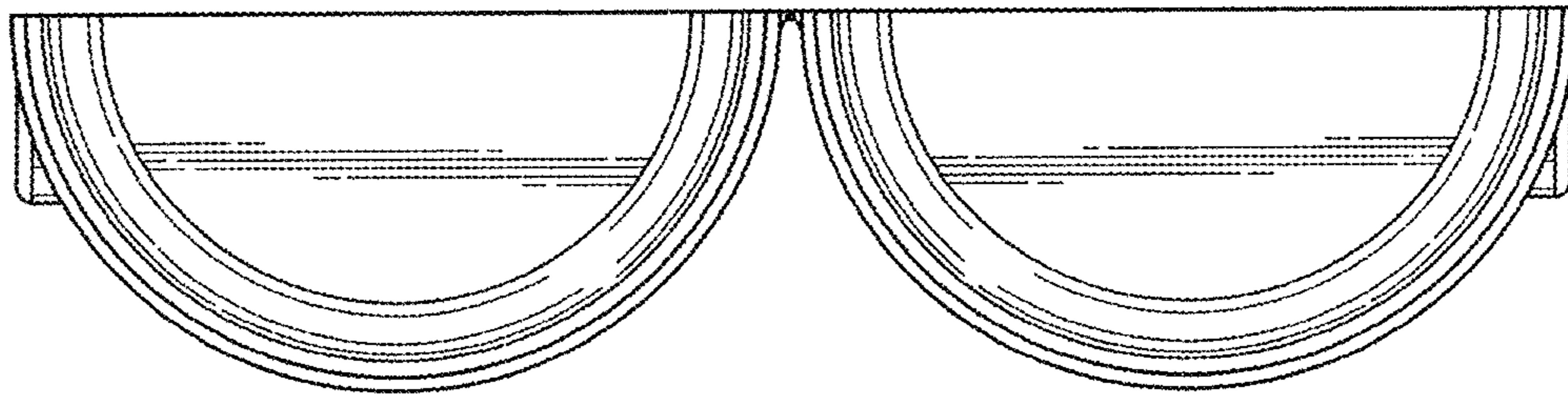


FIG. 15

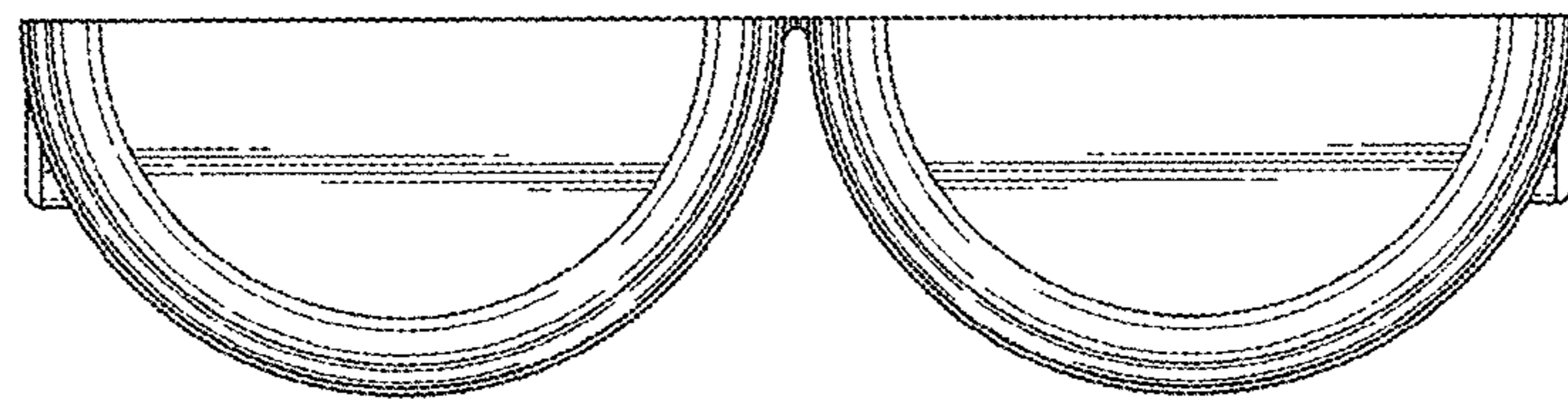


FIG. 16