



US00D808148S

(12) **United States Design Patent**
Link et al.

(10) **Patent No.:** **US D808,148 S**
(45) **Date of Patent:** **** Jan. 23, 2018**

- (54) **SHOE**
- (71) Applicant: **NIKE, Inc.**, Beaverton, OR (US)
- (72) Inventors: **Kenneth Link**, Portland, OR (US);
Benjamin Nethongkome, Beaverton,
OR (US)
- (73) Assignee: **NIKE, Inc.**, Beaverton, OR (US)
- (**) Term: **15 Years**

- D570,586 S 6/2008 Hatfield
- D572,454 S 7/2008 Dirsra
- D575,941 S 9/2008 Weber
- D582,133 S 12/2008 Del Biondi
- D595,046 S 6/2009 Chang
- D595,496 S 7/2009 Mayden
- D595,950 S 7/2009 Mayden
- D595,951 S 7/2009 Henderson
- D610,339 S 2/2010 Mermet
- D610,341 S 2/2010 Cooper
- D636,592 S 4/2011 Dekovic

(Continued)

- (21) Appl. No.: **29/603,910**
- (22) Filed: **May 12, 2017**
- (51) **LOC (11) Cl.** **02-04**
- (52) **U.S. Cl.**
USPC **D2/972**
- (58) **Field of Classification Search**
USPC D2/896, 902, 907, 946, 969, 972, 976,
D2/977
CPC A43B 1/00; A43B 1/10; A43B 3/00; A43B
5/00; A43B 5/001; A43B 5/002; A43B
5/003; A43B 5/008; A43B 5/02; A43B
5/06; A43B 5/08; A43B 5/10; A43B 5/12;
A43B 5/14; A43B 23/00; A43B 23/02;
A43B 23/0205; A43B 23/021; A43B
23/0215
See application file for complete search history.

(56) **References Cited**
U.S. PATENT DOCUMENTS

- D266,968 S 11/1982 Railton
- D461,304 S 8/2002 Clegg
- D466,277 S 12/2002 Smith, III
- D466,278 S 12/2002 Smith, III
- D480,549 S 10/2003 Matis et al.
- D491,718 S 6/2004 Link
- D495,867 S 9/2004 Avar
- D504,562 S 5/2005 Kuerbis
- D570,585 S 6/2008 Hatfield

OTHER PUBLICATIONS

Nike Footwear Catalog, 1997 Spring Footwear, p. 41, published Jun. 1996, NIKE, Inc., USA.

(Continued)

Primary Examiner — Elizabeth J Oswecki
(74) *Attorney, Agent, or Firm* — Banner & Witcoff, Ltd.

(57) **CLAIM**

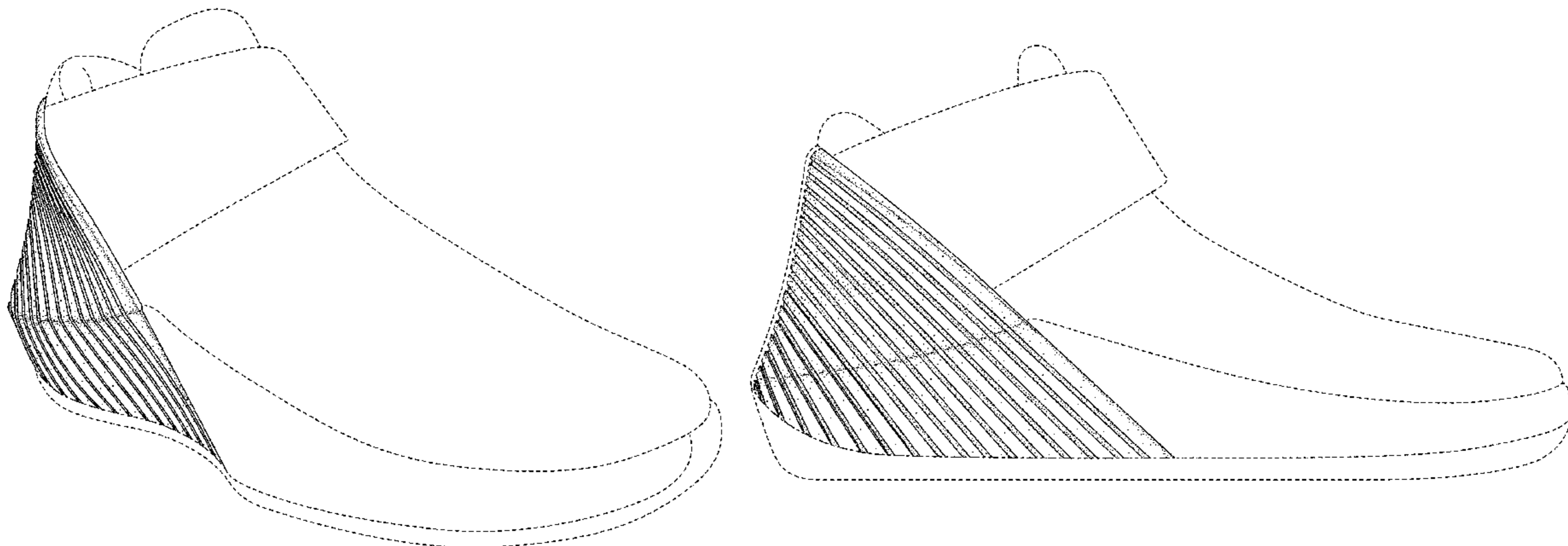
The ornamental design for a shoe, as shown and described.

DESCRIPTION

FIG. 1 is a front perspective view of a first embodiment of a shoe showing our new design;
FIG. 2 is a lateral side view thereof;
FIG. 3 is a rear perspective view thereof;
FIG. 4 is a rear view thereof;
FIG. 5 is a front perspective view of a second embodiment of the shoe showing our new design;
FIG. 6 is a lateral side view thereof;
FIG. 7 is a rear perspective view thereof; and,
FIG. 8 is a rear view thereof.

The dashed-dot-dashed broken lines represent the bounds of the claimed design and form no part thereof. The even dashed broken lines represent unclaimed environment and form no part of the claimed design.

1 Claim, 8 Drawing Sheets



(56)

References Cited

U.S. PATENT DOCUMENTS

D683,113	S	5/2013	Napurano	
D699,933	S	2/2014	Rasmussen	
D725,895	S	4/2015	Cin	
D734,018	S	7/2015	Wright	
D737,039	S	8/2015	Pauk	
D737,040	S	8/2015	Pauk	
D744,737	S	12/2015	Raasch	
D746,578	S	1/2016	Chang	
D762,056	S *	7/2016	Fullum	D2/972
D762,964	S *	8/2016	Nyssen	D2/972
D763,564	S *	8/2016	Nyssen	D2/972
D767,865	S *	10/2016	Chang	D2/972
D778,580	S	2/2017	Rowe	
D778,586	S	2/2017	McMillan et al.	
D779,187	S	2/2017	Williams, Jr.	
D780,424	S	3/2017	Abe et al.	
D780,427	S	3/2017	Williams, Jr.	
D781,557	S *	3/2017	Hui	D2/972
D781,559	S	3/2017	Williams, Jr.	
D782,807	S	4/2017	Kanata et al.	
D783,257	S *	4/2017	Small	D2/972
D783,981	S	4/2017	Cin	
D783,984	S	4/2017	Williams, Jr.	
D783,998	S	4/2017	Anceresi	
D786,546	S *	5/2017	Rasmussen	D2/972
D789,675	S *	6/2017	Robusti	D2/972
D790,191	S *	6/2017	Small	D2/972
D791,463	S *	7/2017	Williams, Jr.	D2/972
D792,084	S *	7/2017	Rasmussen	D2/972
D792,698	S *	7/2017	Kirschner	D2/972
2005/0268497	A1 *	12/2005	Alfaro	A43B 1/0027 36/136
2009/0229144	A1 *	9/2009	Sussman	A43B 3/24 36/97

OTHER PUBLICATIONS

Nike Footwear Catalog, 1998 Fall Men's Specialty and Women's & Kids' Footwear, p. 92, published Dec. 1997, NIKE, Inc., USA.
 Nike Footwear Catalog, 1997 Late Spring Footwear, p. 229, published Sep. 1996, NIKE, Inc., USA.

Nike Footwear Catalog, 1999 Late Fall October & November Flow Footwear, p. 133, published Mar. 1999, NIKE, Inc., USA.
 Nike Footwear Catalog, 2002 Fall Men's and Women's Footwear, p. 39, published Nov. 2001, NIKE, Inc., USA.
 Nike Footwear Catalog, 2003 Fall Men's and Women's Footwear, p. 36, published Nov. 2002, NIKE, Inc., USA.
 Nike Footwear Catalog, 2003 Fall Men's and Women's Footwear, p. 67, published Nov. 2002, NIKE, Inc., USA.
 Nike Footwear Catalog, 2003 Spring Men's and Women's Footwear, p. 8, published Jun. 2002, NIKE, Inc., USA.
 Nike Footwear Catalog, 2010 Spring Performance Footwear, p. 36, published May 2009, NIKE, Inc., USA.
 Nike Footwear Catalog, 2011 Spring Men's Athletic Training Footwear, p. 59, published date unknown, but prior to the filing date of the present application, NIKE, Inc., USA.
 Nike Footwear Catalog, 2011 Spring Men's Athletic Training Footwear, p. 66, published date unknown, but prior to the filing date of the present application, NIKE, Inc., USA.
 Nike Footwear Catalog, 2011 Spring Men's Running Footwear, p. 25, published date unknown, but prior to the filing date of the present application, NIKE, Inc., USA.
 Nike Footwear Catalog, 2012 Spring Men's and Women's Sportswear Better Footwear, p. 8, published May 2011, NIKE, Inc., USA.
 Nike Footwear Catalog, 2012 Spring Men's Performance Footwear, p. 32, published May 2011, NIKE, Inc., USA.
 Nike Footwear Catalog, 2014 Spring City Specialty Best Updated, p. 18, published Jun. 11, 2013, NIKE, Inc., USA.
 Nike Footwear Catalog, 2014 Spring Men's Footwear Performance, p. 23, published May 22, 2013, NIKE, Inc., USA.
 Nike Footwear Catalog, 2015 Fall Sporting Goods, p. 204, published date unknown, NIKE, Inc., USA.
 Nike Footwear Catalog, 2017 Spring Account Catalog, p. 54, published date unknown, NIKE, Inc., USA.
 Nike Baseball Brings Speed to Minnesota for MLB All Star Game [online]. [retrieved May 11, 2017], Retrieved from Internet <URL: <http://news.nike.com/news/nike-baseball-brings-speed-to-minnesota-for-mlb-all-star-game>>; 9 color sheets, Dated Jul. 10, 2014.
 The Pristine Nike Swoosh Hunter [online], [retrieved May 11, 2017], Retrieved from Internet <URL: <https://www.kicksonfire.com/nike-swoosh-hunter-white/>>; 10 color sheets, Dated Feb. 22, 2016.

* cited by examiner

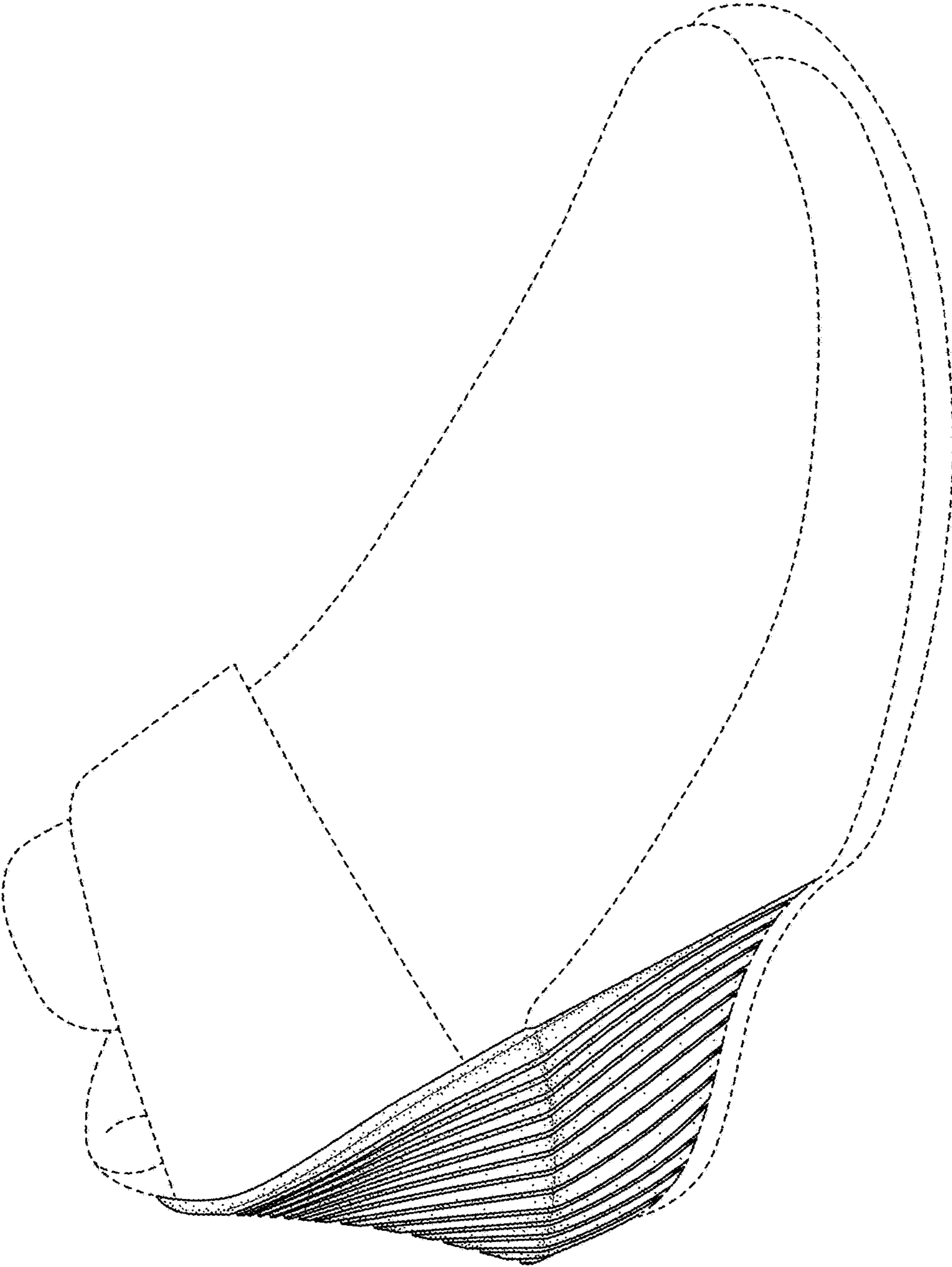


FIG. 1

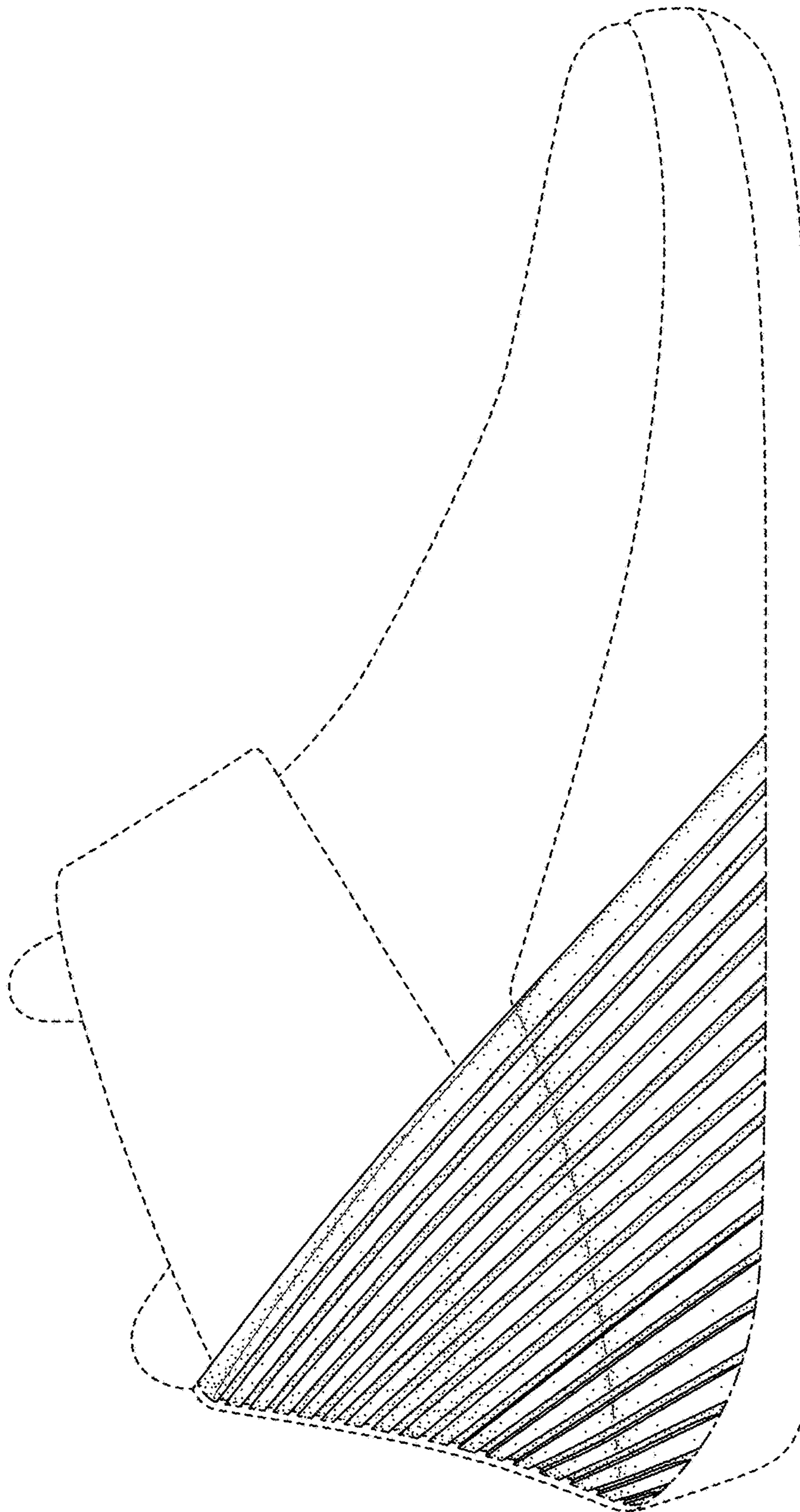


FIG. 2

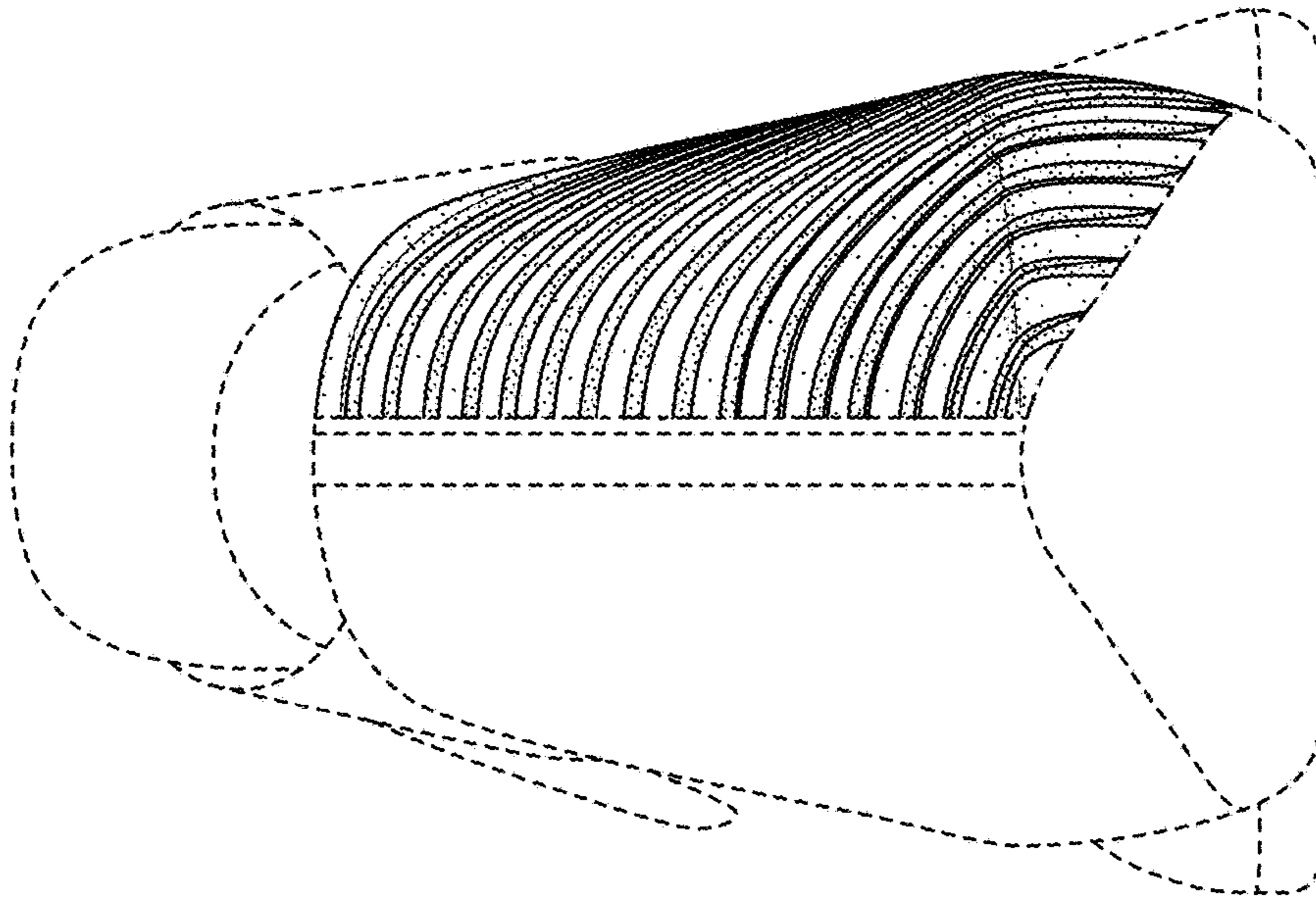


FIG. 3

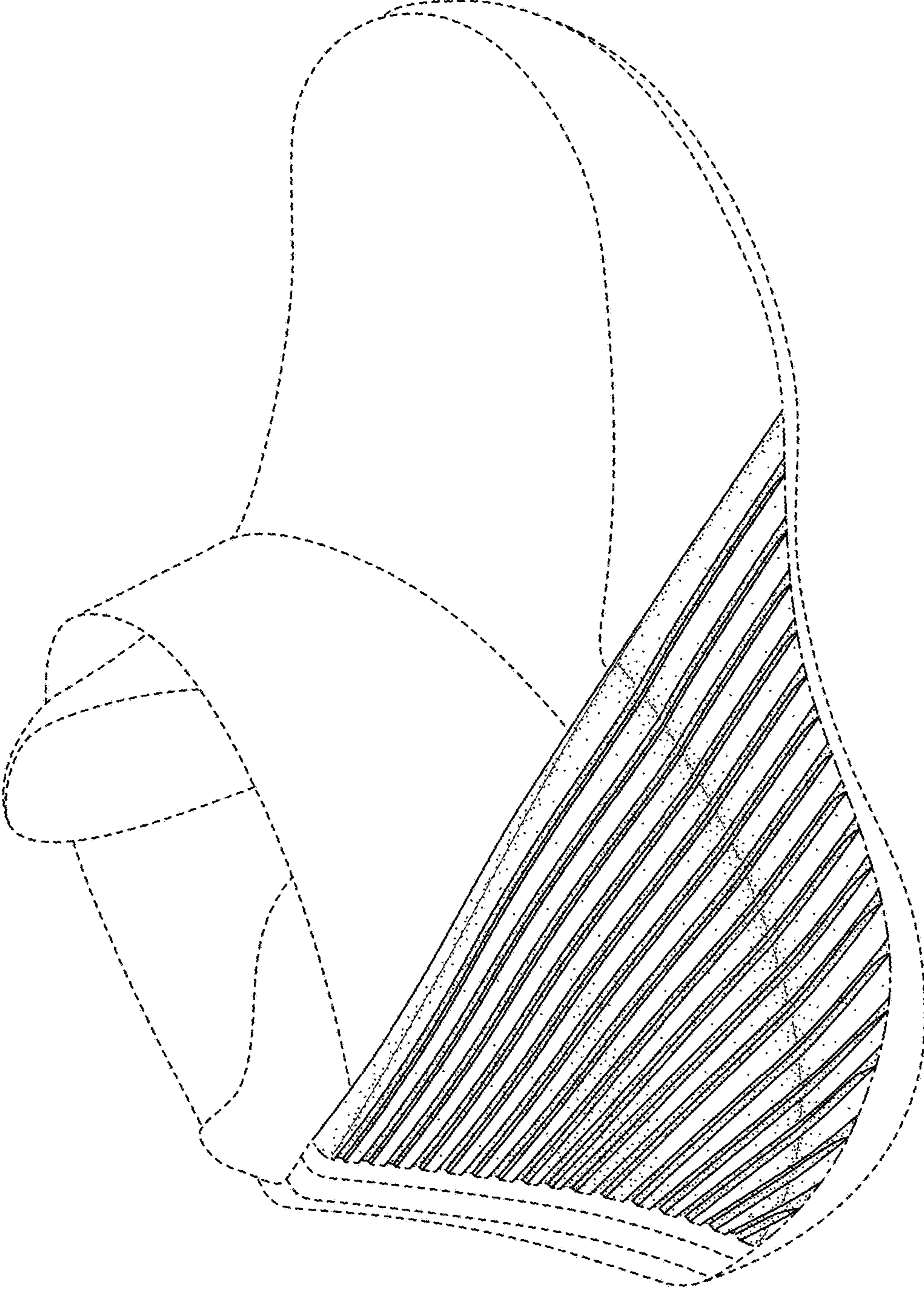


FIG. 4

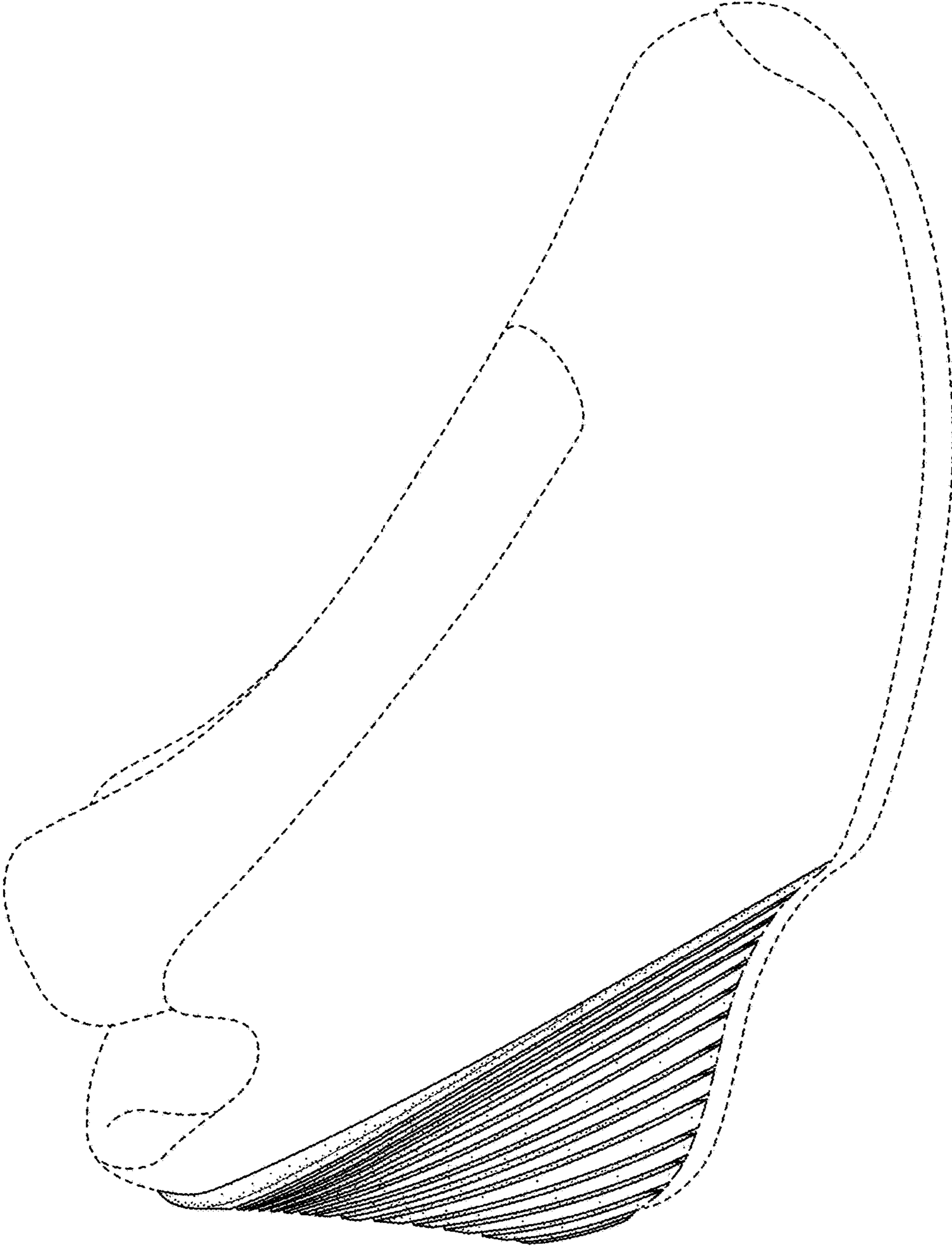


FIG. 5

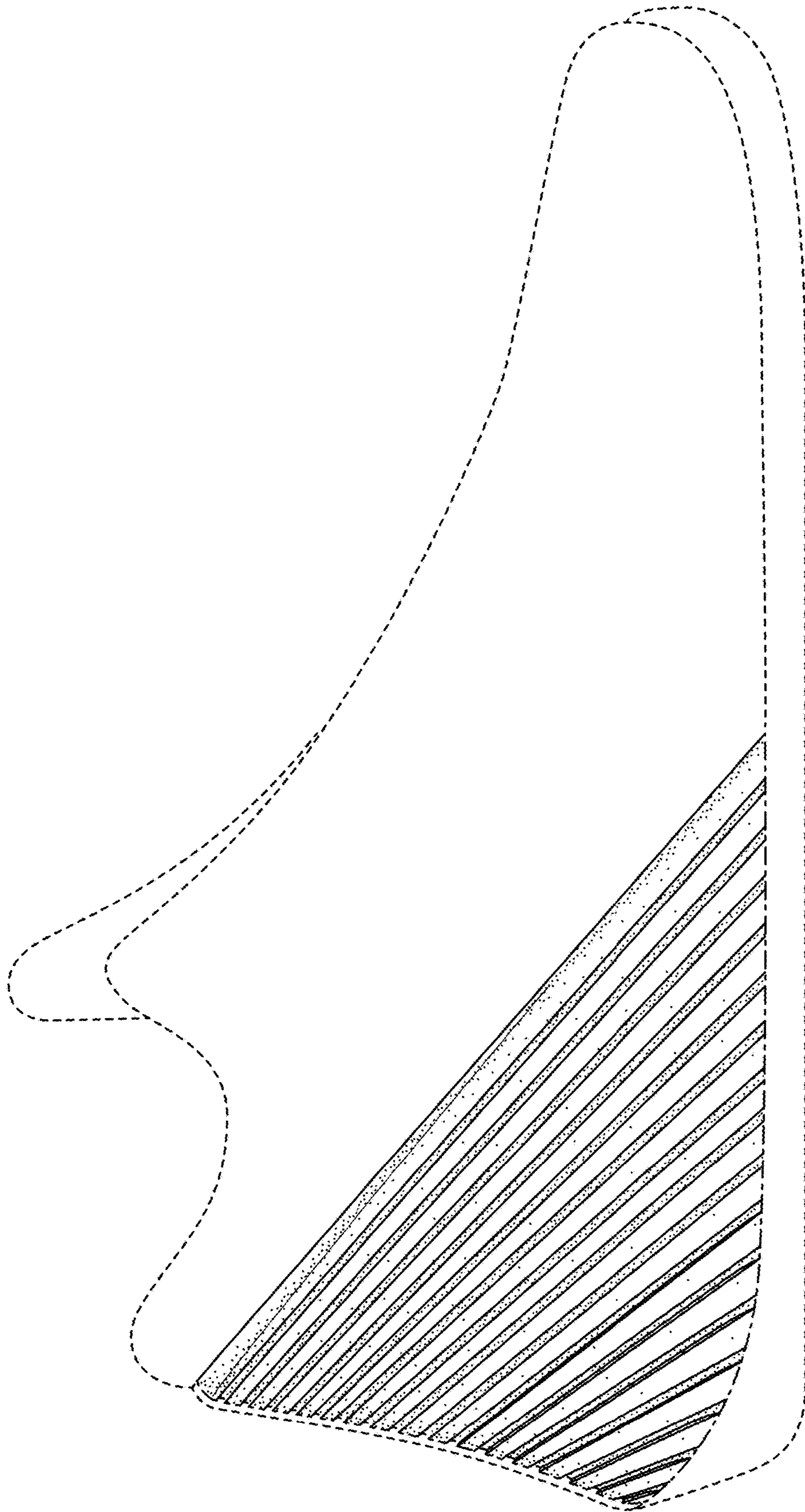


FIG. 6

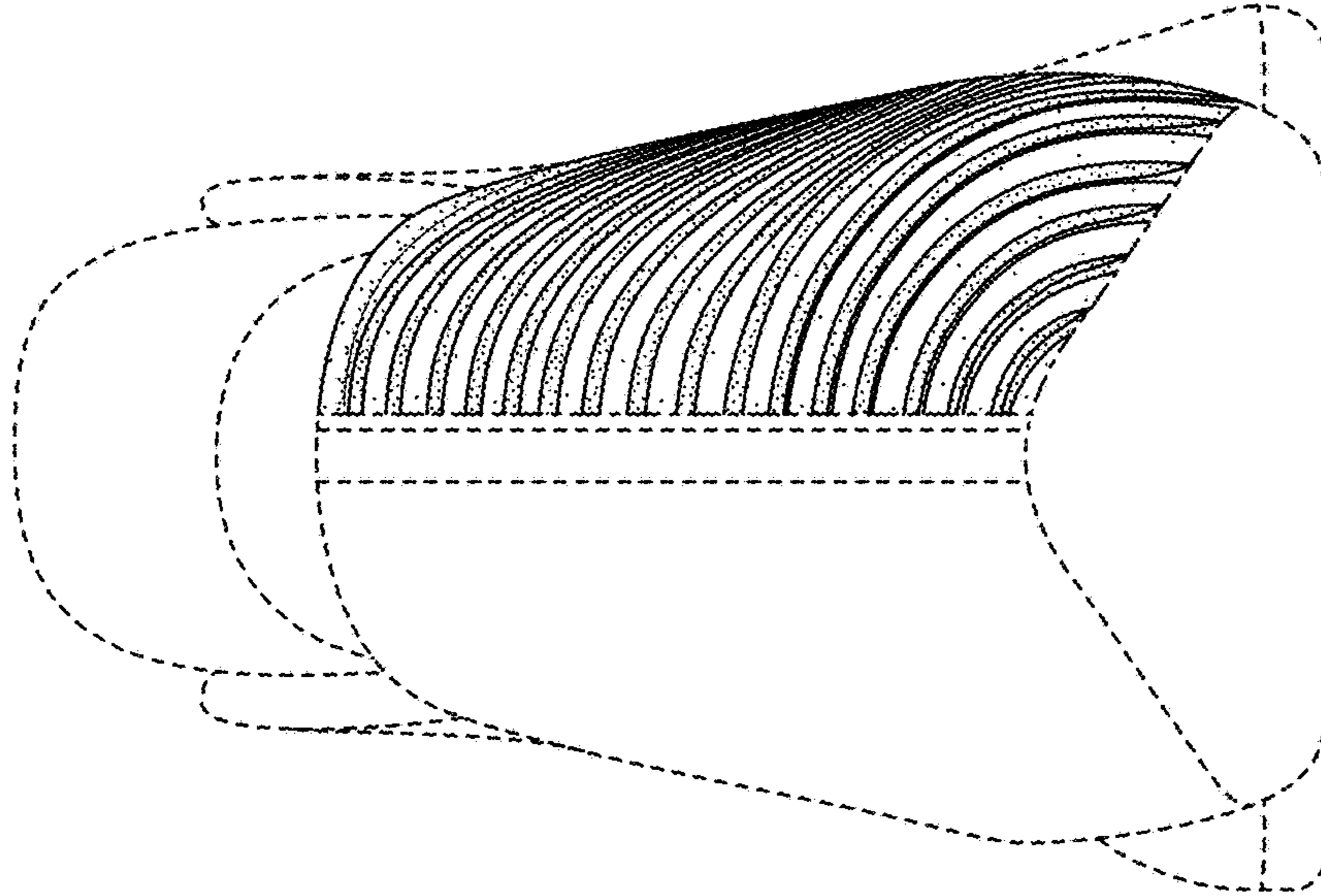


FIG. 7

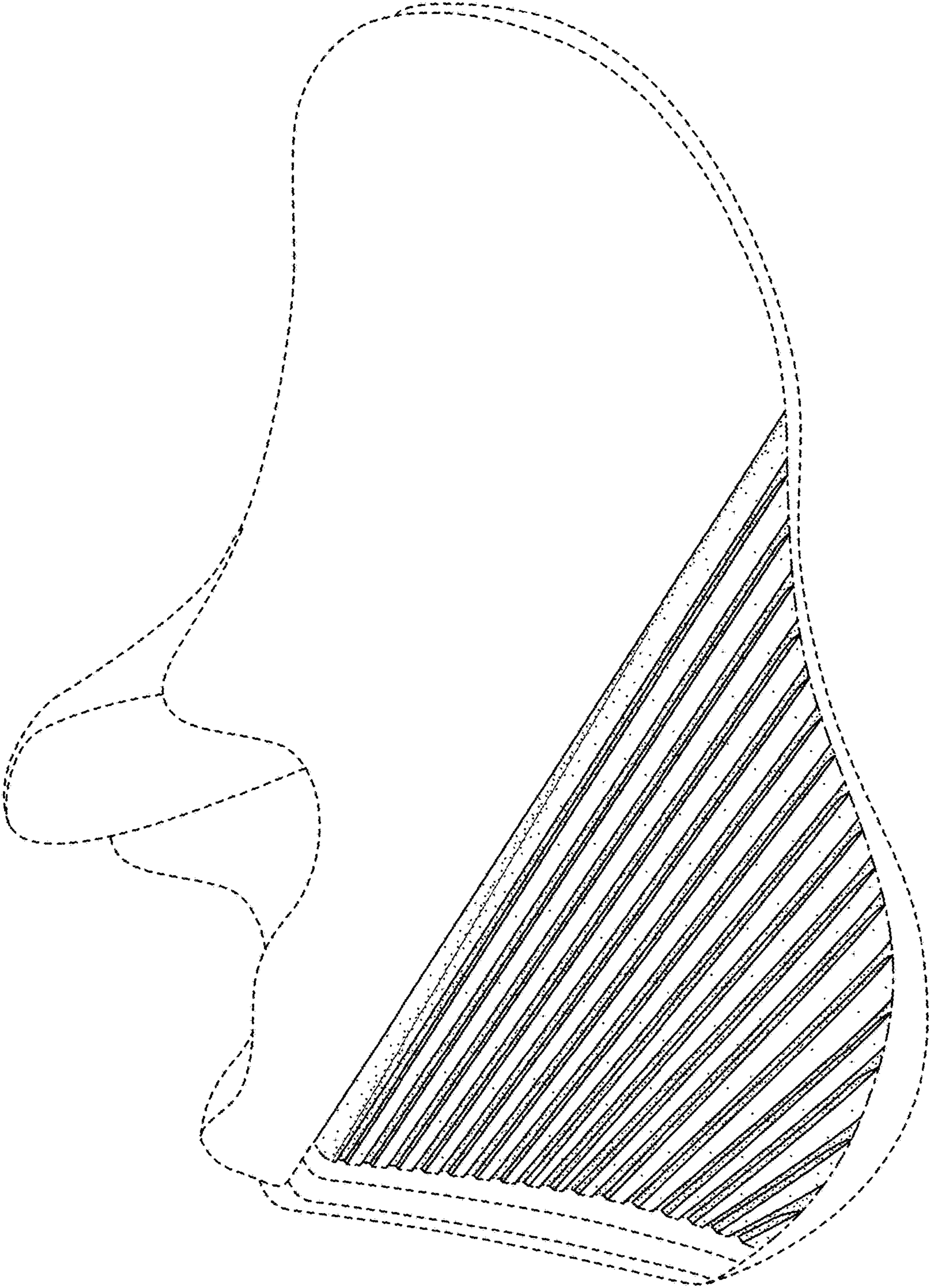


FIG. 8