



US00D808130S

(12) **United States Design Patent**
Lomax

(10) **Patent No.:** **US D808,130 S**
(45) **Date of Patent:** **** Jan. 23, 2018**

- (54) **GARMENT**
- (71) Applicant: **NIKE, Inc.**, Beaverton, OR (US)
- (72) Inventor: **Jessica A. Lomax**, Portland, OR (US)
- (73) Assignee: **NIKE, Inc.**, Beaverton, OR (US)
- (**) Term: **15 Years**
- (21) Appl. No.: **29/582,868**
- (22) Filed: **Oct. 31, 2016**
- (51) **LOC (11) Cl.** **02-02**
- (52) **U.S. Cl.**
USPC **D2/851**
- (58) **Field of Classification Search**
USPC D2/602, 614, 717, 750, 728, 731, 739,
D2/756, 828, 840, 847, 849, 853, 862;
D5/63-66; D11/95-116; D29/100,
D29/101.1, 121.1; D21/803-810, 829
CPC ... A41D 1/04; A41D 1/14; A41D 1/18; A41D
1/22; A41D 7/00; A41D 10/00; A41D
13/0002; A41D 13/0012; A41D 13/0015;
A41D 27/02; A41D 27/08; A41D 27/10;
A41D 27/24; A41D 27/28; A41D 27/285;
A41D 2400/10; A41D 2400/60; A41D
2600/10; A41B 1/00; A41B 1/08; A41B
3/00; A41B 9/06; A41B 9/002; A41B
9/14; A41B 2400/20; A41B 2400/60;
A41C 1/00; A41C 1/003; A41C 3/08;
A63B 69/38; D10B 2401/02; Y10S 2/01
See application file for complete search history.

(56) **References Cited**

U.S. PATENT DOCUMENTS

- 1,422,441 A * 7/1922 Harmon A41D 15/02
2/213
- 2,277,492 A * 3/1942 Kamhi A41D 15/005
2/221

- 2,334,144 A * 11/1943 Bono A41D 1/20
2/235
- 2,343,124 A * 2/1944 Graham A41D 1/14
2/211
- 2,353,567 A * 7/1944 Key A41F 9/02
2/311

(Continued)

Primary Examiner — Kevin K Rudzinski

Assistant Examiner — Paul D Bohannon

(74) *Attorney, Agent, or Firm* — Shook, Hardy & Bacon
L.L.P.

(57) **CLAIM**

The ornamental design for a garment, as shown and described.

DESCRIPTION

FIG. 1 is a front right perspective view of a garment showing my new design in an in-use configuration according to a first embodiment;

FIG. 2 is a rear left perspective view thereof;

FIG. 3 is a front view thereof;

FIG. 4 is a rear view thereof;

FIG. 5 is a first side view thereof;

FIG. 6 is a second side view thereof;

FIG. 7 is a front left perspective view of a garment showing my new design in an in-use configuration according to a second embodiment;

FIG. 8 is a front view thereof;

FIG. 9 is a rear view thereof;

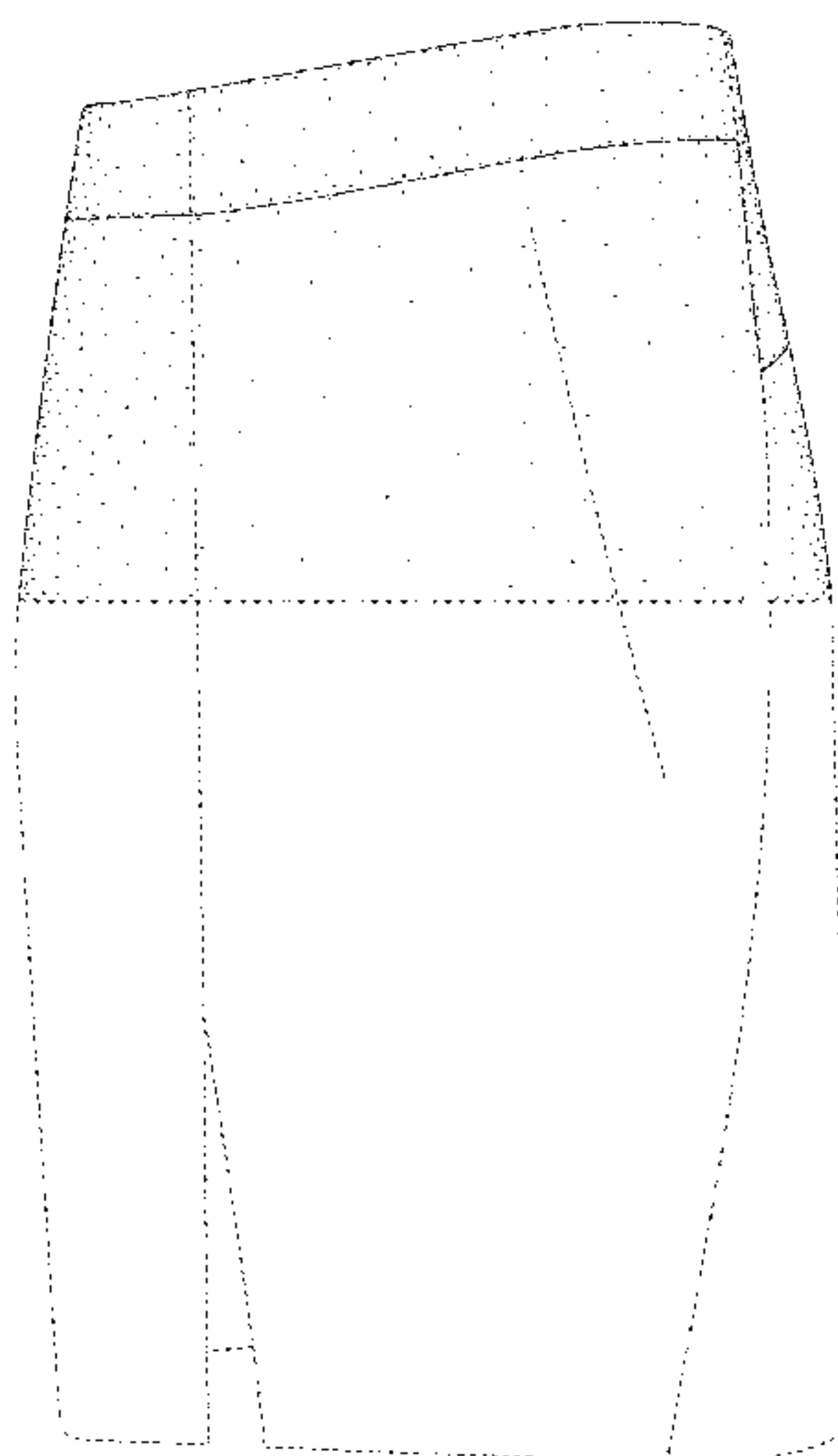
FIG. 10 is a first side view thereof; and,

FIG. 11 is a second side view thereof.

The even-length broken lines shown in the drawings are directed to environment, are for informational purposes only, and form no part of the claimed design.

The long and short broken lines are boundary lines, which define the bounds of the claimed design. These boundaries do not exist in reality in the article embodying the design. It is understood that the claimed design extends to these boundaries but does not include the boundaries.

1 Claim, 11 Drawing Sheets



(56)

References Cited

U.S. PATENT DOCUMENTS

D139,359 S *	11/1944	Levitt	D2/851	4,506,390 A *	3/1985	Stern	A41D 1/20
2,362,239 A *	11/1944	Bloom	A41B 9/06					2/221
				2/406	D279,136 S *	6/1985	Stern	D2/851
2,457,071 A *	12/1948	Shulman	A41C 1/00	5,283,910 A *	2/1994	Flint	A41F 9/025
				450/111					2/221
2,501,899 A *	3/1950	Herbener	A41C 1/00	D463,652 S *	10/2002	Lyden	D2/853
				2/255	D627,136 S *	11/2010	Johnson	D2/722
2,513,108 A *	6/1950	Reger	A41D 1/14	D690,905 S *	10/2013	Eutsey	D2/728
				2/212	9,351,523 B2 *	5/2016	Kitagawa	A41C 1/003
2,515,082 A *	7/1950	Evans	A41D 1/22	D758,049 S *	6/2016	Molbeck	D2/851
				2/70	D771,910 S *	11/2016	Herbert	D2/851
2,550,121 A *	4/1951	Medd	A41D 1/14	D792,677 S *	7/2017	Carney	D2/743
				2/211	D794,914 S *	8/2017	Auble	D2/731
2,953,134 A *	9/1960	Kaupp	A41C 1/00	2010/0275339 A1 *	11/2010	Huc	A41C 1/08
				450/124					2/69
4,280,229 A *	7/1981	Stein	A41D 1/20	2012/0034843 A1 *	2/2012	Hirashima	A41C 1/003
				2/221					450/154
					2017/0265538 A1 *	9/2017	Ayers	A41D 15/002

* cited by examiner

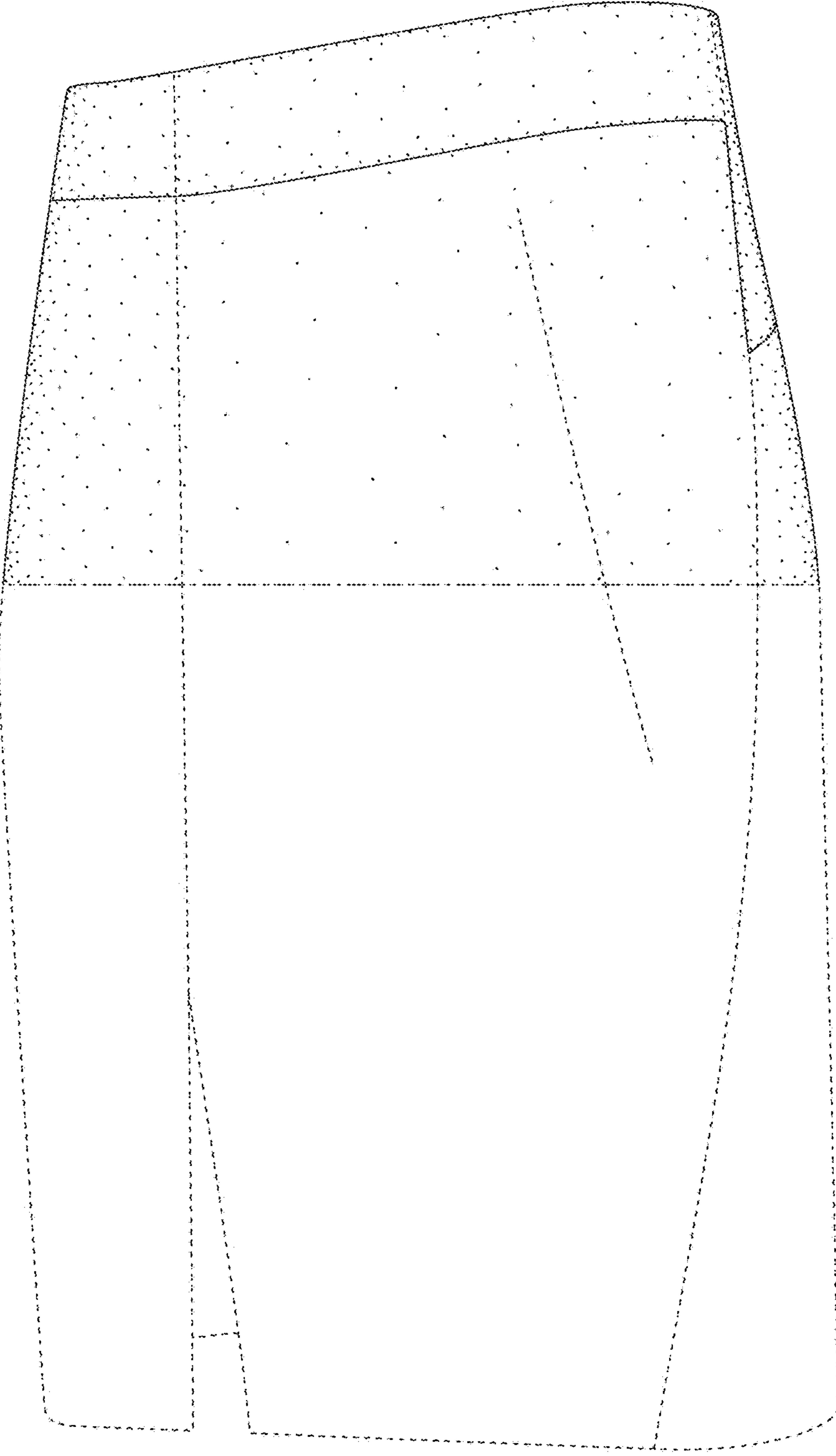


FIG. 1

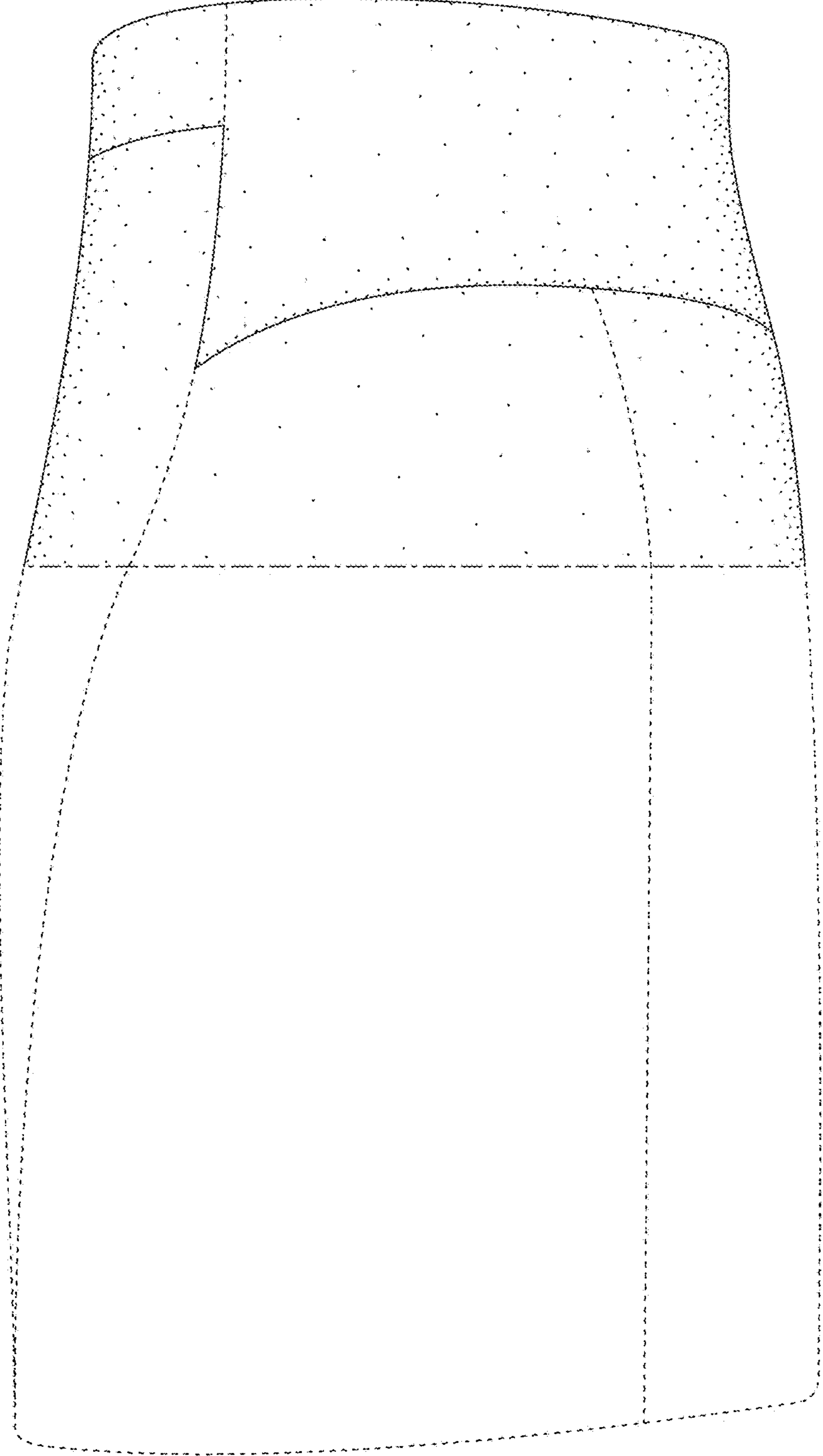


FIG. 2

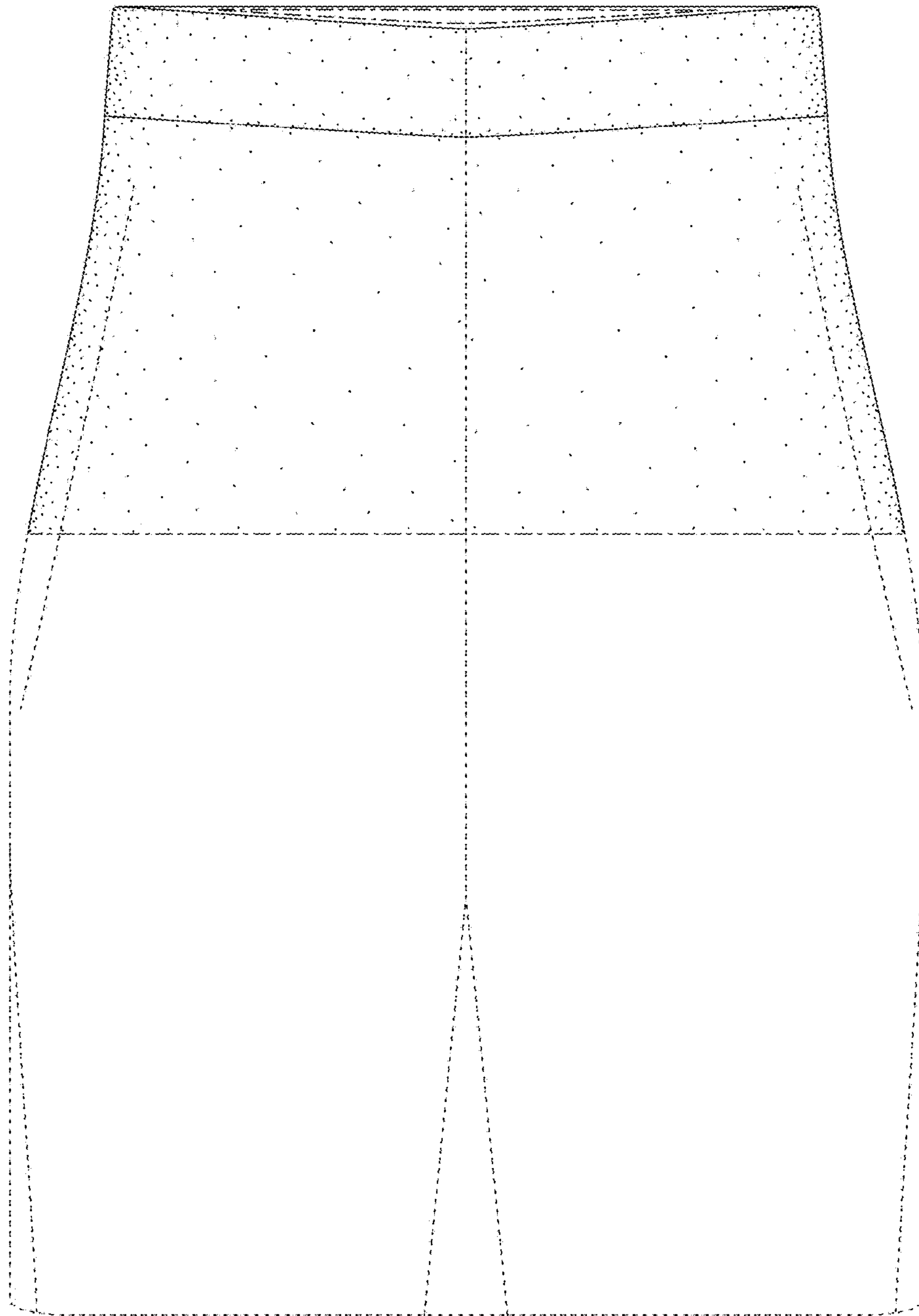


FIG. 3

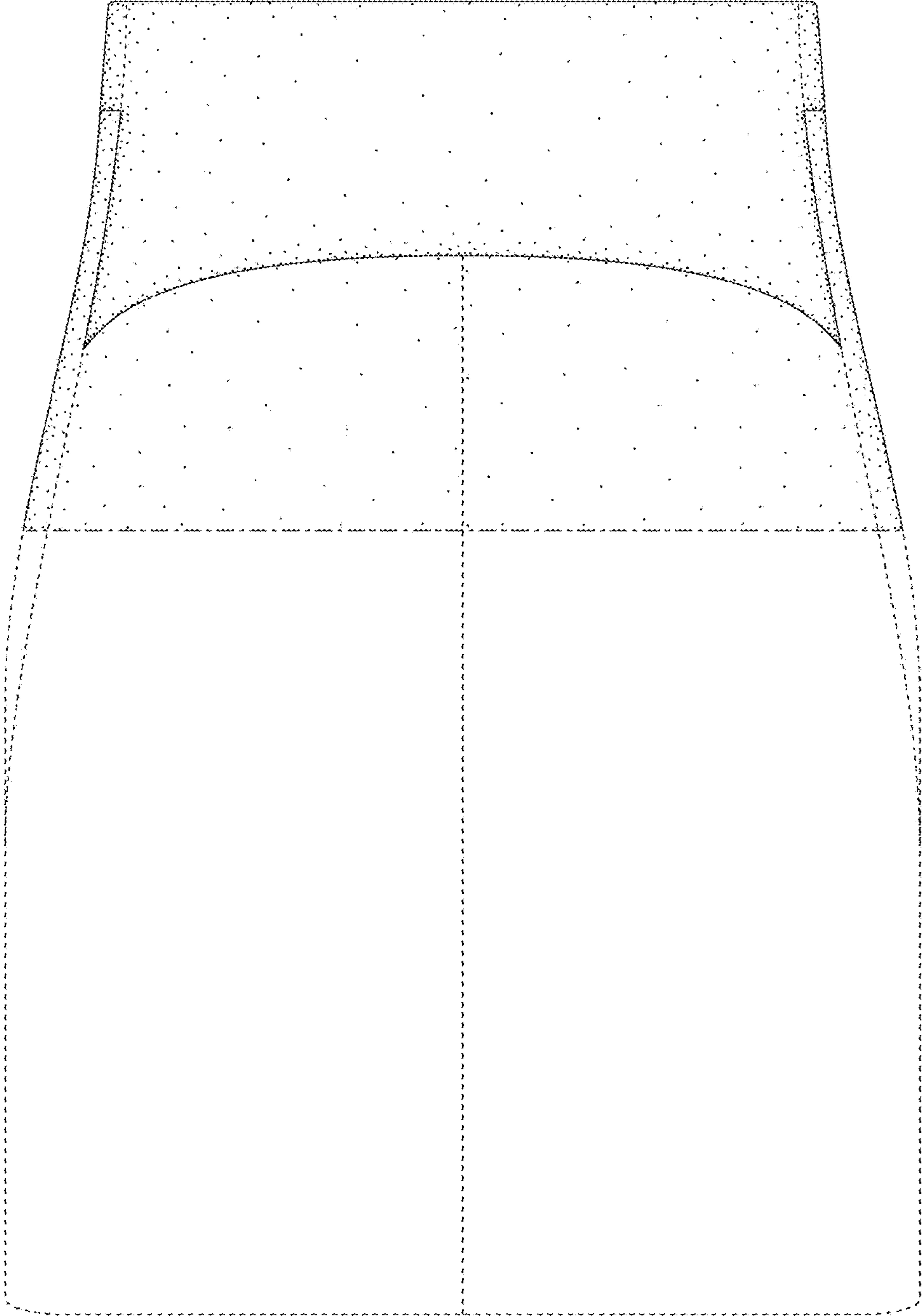


FIG. 4

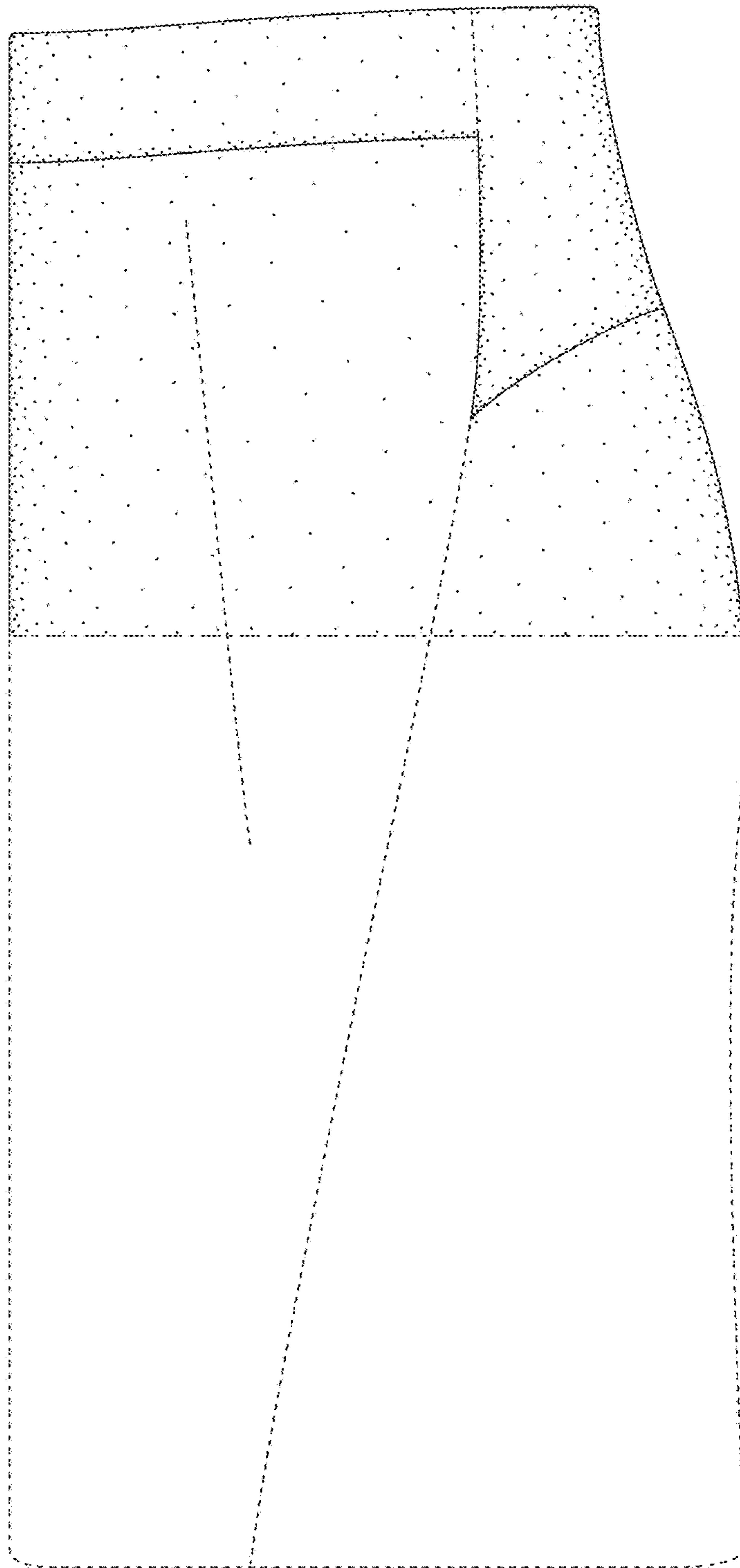


FIG. 5

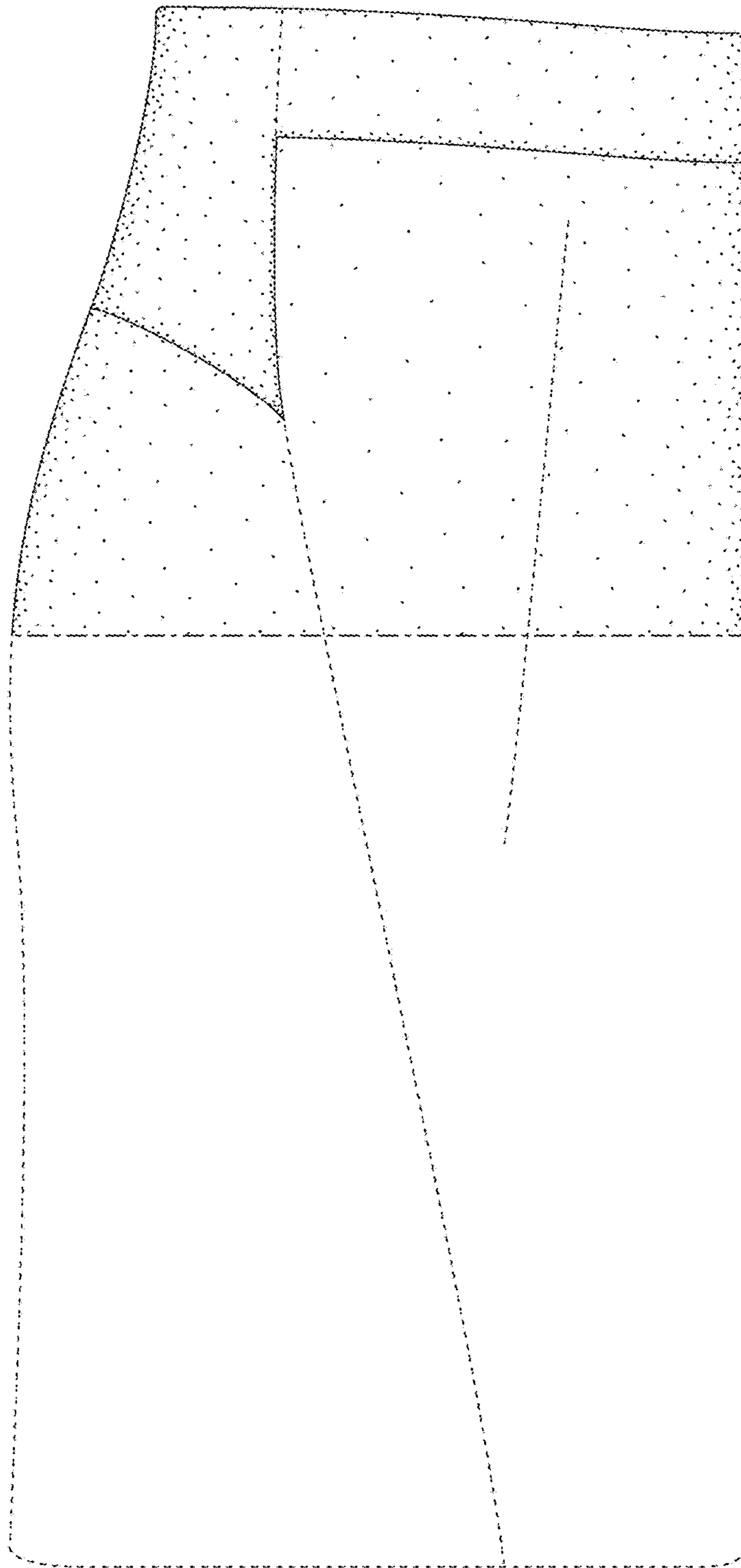


FIG. 6

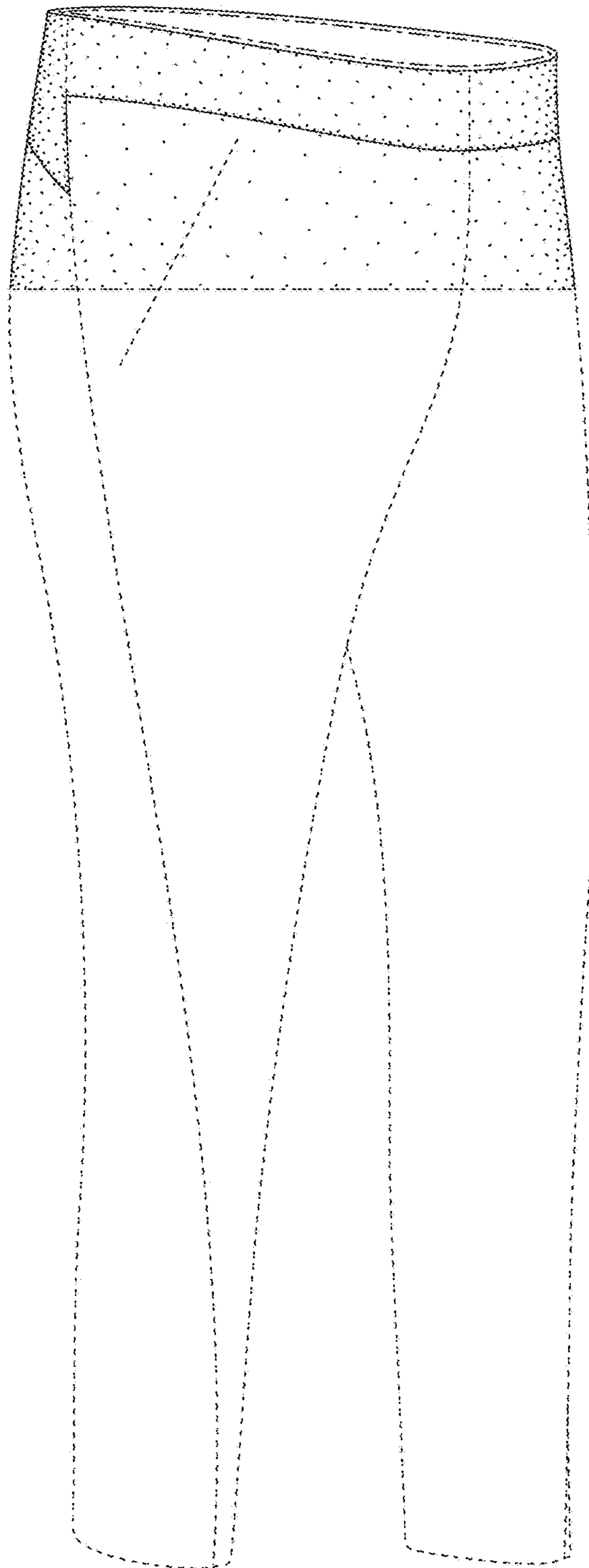


FIG. 7

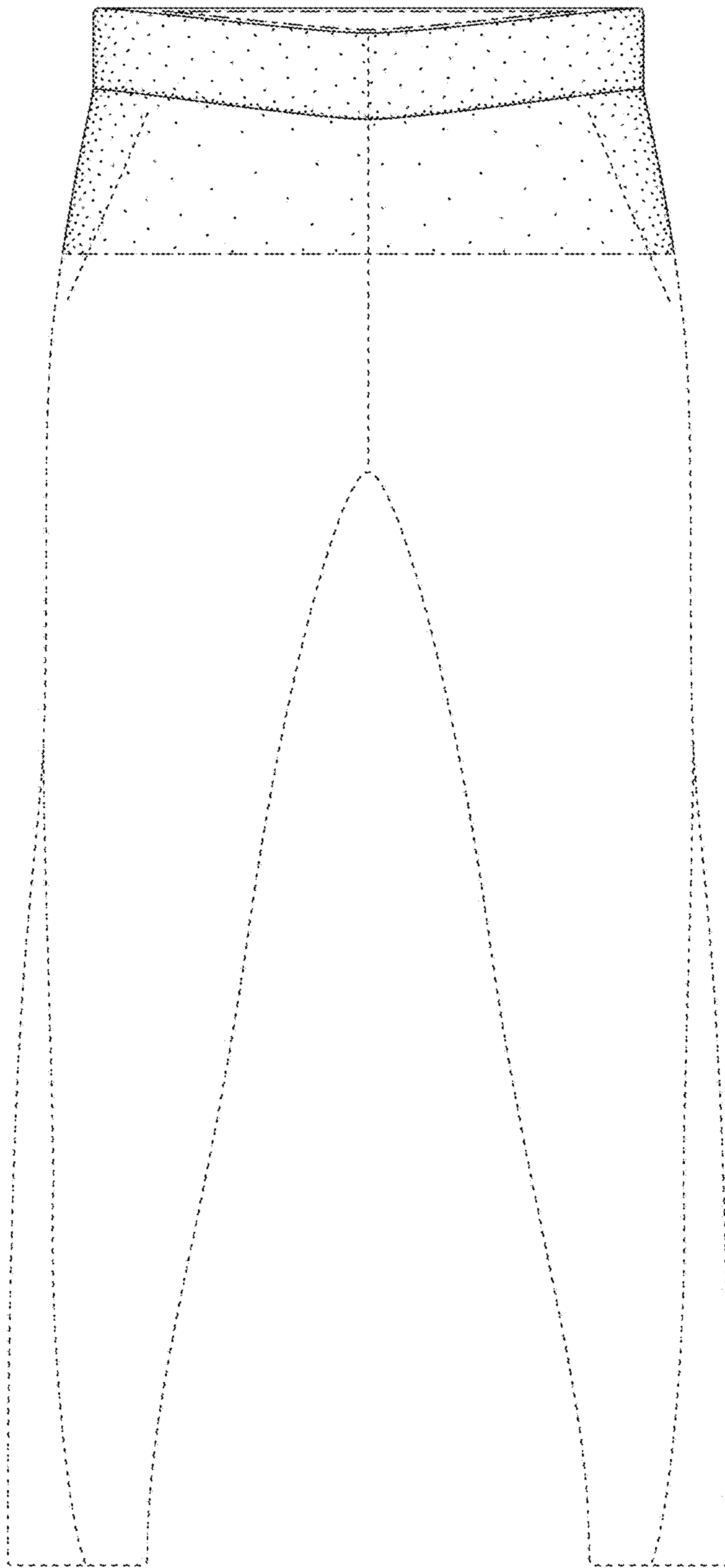


FIG. 8

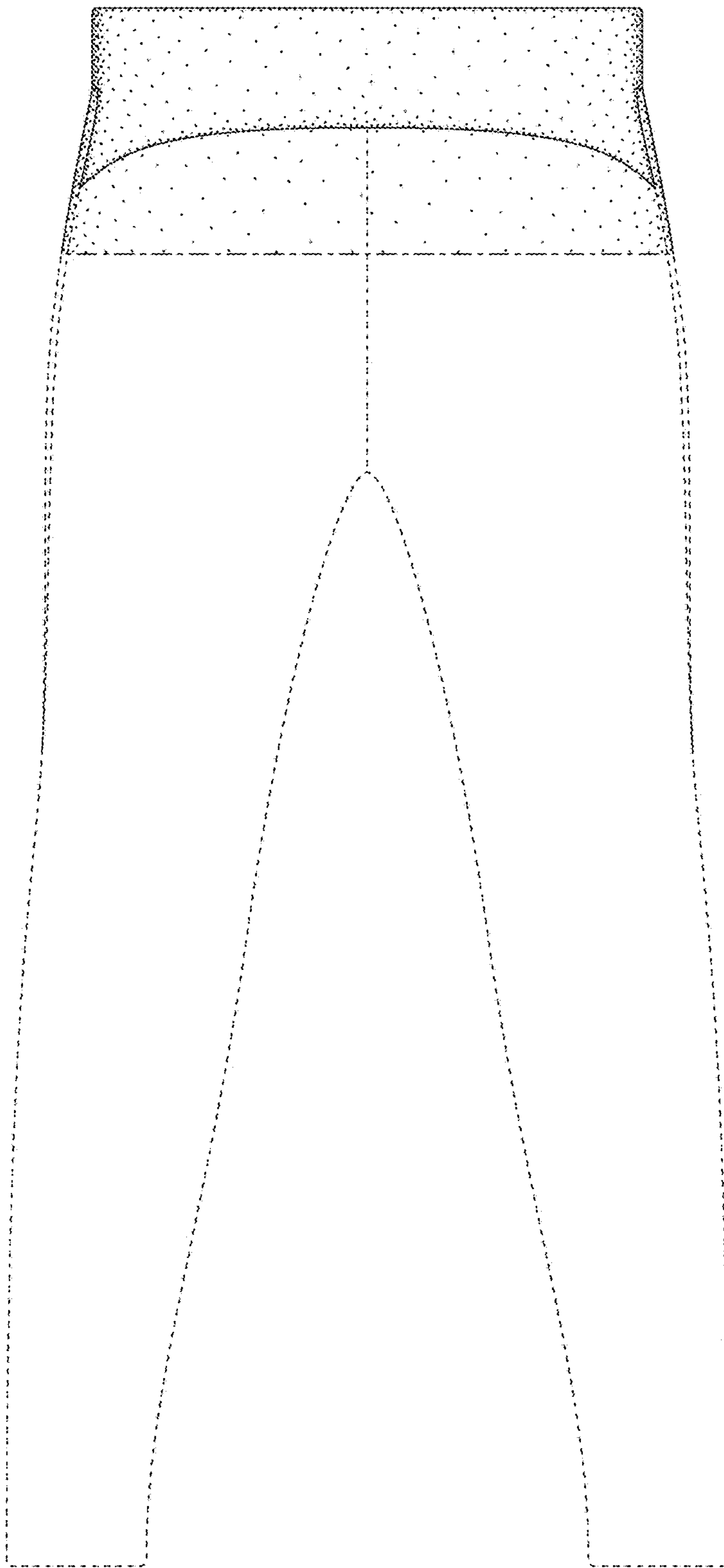


FIG. 9

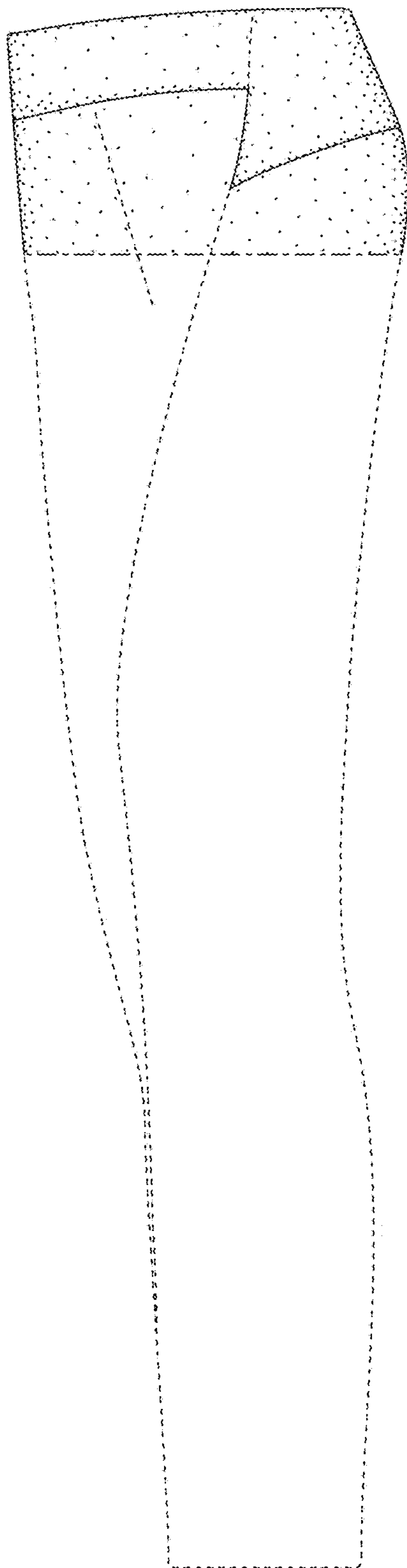


FIG. 10

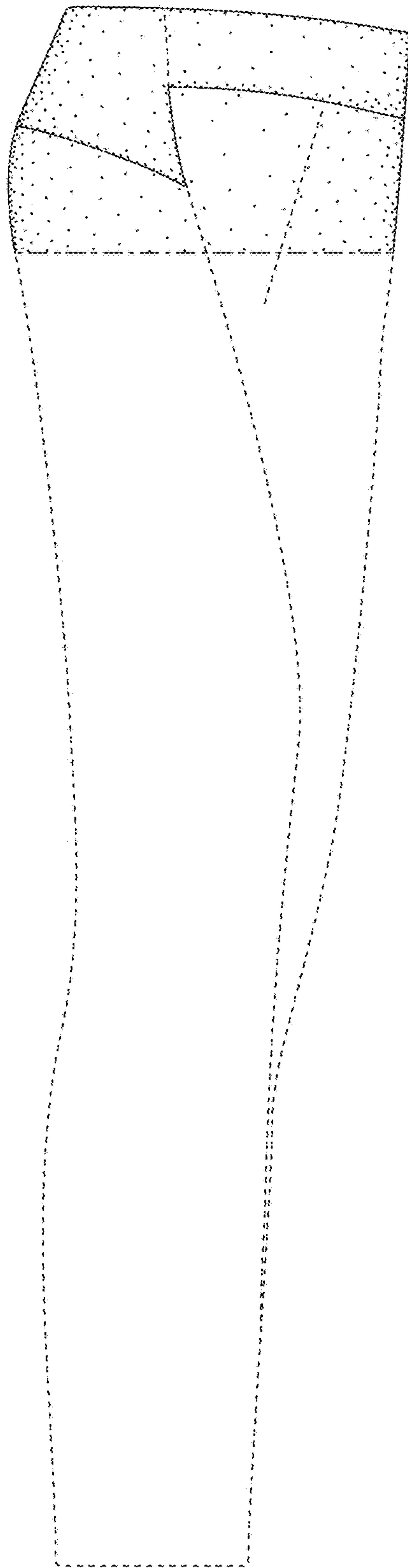


FIG. 11