



US00D808122S

(12) **United States Design Patent** (10) **Patent No.:** **US D808,122 S**  
**Miller et al.** (45) **Date of Patent:** **\*\* Jan. 23, 2018**

(54) **GARMENT BOTTOM**  
(71) Applicant: **Under Armour, Inc.**, Baltimore, MD (US)  
(72) Inventors: **Merida Miller**, Baltimore, MD (US);  
**Nicole Parisi**, New York, NY (US);  
**Elyse Alligood**, New York, NY (US);  
**Jeanne Foley**, New York, NY (US)  
(73) Assignee: **Under Armour, Inc.**, Baltimore, MD (US)

D284,036 S 6/1986 Biring  
D275,619 S 9/1987 Biring  
D315,630 S 3/1991 Larsen  
5,161,257 A 11/1992 Arensdorf et al.  
(Continued)

**FOREIGN PATENT DOCUMENTS**

DE 19850874 A1 2/2000  
JP 2012101902 A 5/2012  
(Continued)

**OTHER PUBLICATIONS**

Athleta Catalog, Runabout Pant, Item J, p. 37, Fall 2011, Petaluma, California.

(Continued)

*Primary Examiner* — Robin V Webster  
*Assistant Examiner* — James Thorn, Sr.  
(74) *Attorney, Agent, or Firm* — Edell, Shapiro & Finnan, LLC

(57) **CLAIM**

The ornamental design for a garment bottom, as shown and described.

**DESCRIPTION**

FIG. 1 is a rear perspective view of a garment bottom showing our new design;  
FIG. 2 is front view thereof  
FIG. 3 is a rear view thereof;  
FIG. 4 is a left side view thereof;  
FIG. 5 is a right side view thereof;  
FIG. 6 is a top view thereof; and,  
FIG. 7 is a bottom view thereof.  
The broken dashed line illustration in the drawings is not part of the claimed design. The broken dot-dashed line, which defines the bounds of the claimed design, forms no part thereof.

**1 Claim, 4 Drawing Sheets**

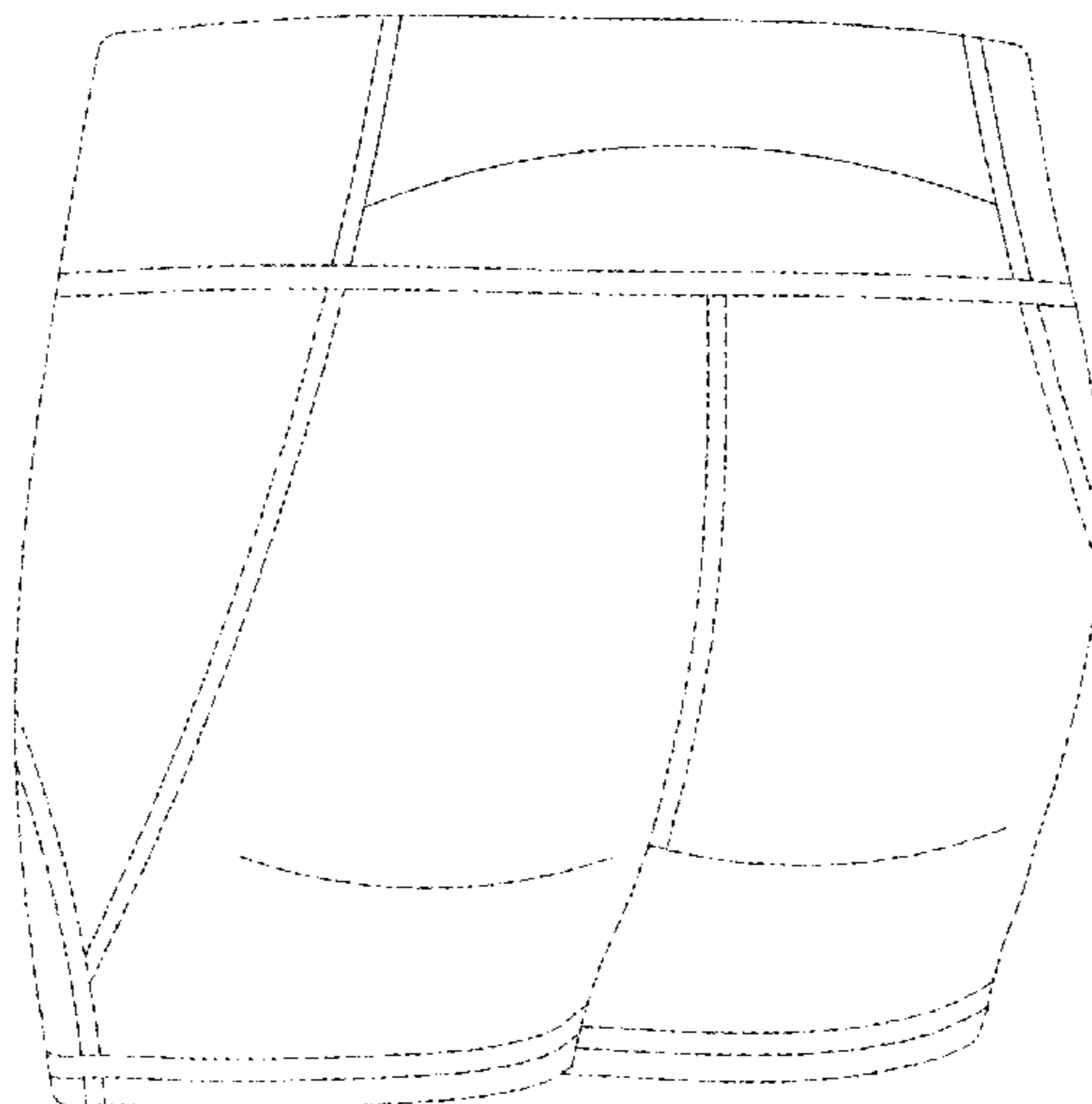
**Related U.S. Application Data**

(63) Continuation of application No. 29/597,999, filed on Mar. 22, 2017, now Pat. No. Des. 796,152, which is a continuation of application No. 29/555,729, filed on Feb. 24, 2016, now Pat. No. Des. 783,937.  
(51) **LOC (11) Cl.** ..... **02-02**  
(52) **U.S. Cl.**  
USPC ..... **D2/731; D2/815**  
(58) **Field of Classification Search**  
USPC ..... D2/731-738, 728, 815  
CPC ..... A63B 71/12; A63B 71/1216; A41D 1/08; A41B 11/00  
See application file for complete search history.

(56) **References Cited**

**U.S. PATENT DOCUMENTS**

1,920,061 A 7/1933 Carr  
2,492,862 A 12/1949 Harvey  
2,930,046 A 3/1960 Sagner  
3,137,862 A 6/1964 Mizerak  
D235,937 S 7/1975 Froidh  
D281,540 S 12/1985 Ternstrom



(56)

References Cited

U.S. PATENT DOCUMENTS

D339,902 S 10/1993 Doherty  
 5,544,366 A 8/1996 Kato  
 D378,947 S 4/1997 Desmond  
 D382,386 S 8/1997 Malone  
 5,671,481 A 9/1997 Giard  
 5,954,564 A 9/1999 Ganz  
 6,006,363 A 12/1999 Karlin  
 D514,774 S 2/2006 Africa et al.  
 D515,282 S 2/2006 Africa  
 D532,958 S 12/2006 Kent  
 D572,430 S 7/2008 Wong  
 D613,037 S 4/2010 Iamartino et al.  
 D613,928 S 4/2010 Iamartino et al.  
 D615,279 S 5/2010 Savage  
 D618,434 S 6/2010 Iamartino et al.  
 D618,435 S 6/2010 Iamartino et al.  
 D619,784 S 7/2010 Kanada et al.  
 D641,134 S 7/2011 Zarabi  
 D641,539 S 7/2011 Zarabi  
 D645,644 S 9/2011 Iamartino  
 D646,047 S 10/2011 Arensdorf  
 D650,589 S 12/2011 Overton et al.  
 8,104,654 B2 1/2012 Overton  
 D654,661 S 2/2012 Savage  
 D659,290 S 5/2012 Overton  
 D660,553 S 5/2012 Farina et al.  
 D661,872 S 6/2012 Iamartino  
 D662,281 S 6/2012 Iamartino  
 D663,075 S 7/2012 Overton  
 8,214,922 B2 7/2012 Moore et al.  
 D668,434 S 10/2012 Iamartino  
 8,321,964 B2 12/2012 Gemes  
 D673,756 S 1/2013 Agnew et al.  
 D686,801 S 7/2013 Farina  
 D687,214 S 8/2013 Farina et al.  
 8,555,419 B2 10/2013 Demarest et al.  
 D702,018 S 4/2014 Ferraro  
 D702,918 S 4/2014 Radford  
 D722,742 S 2/2015 Abrams  
 9,021,615 B2 5/2015 Cockram  
 D740,549 S 10/2015 Nejjar  
 D741,045 S 10/2015 Scherr  
 D743,144 S 11/2015 Swan

D746,022 S 12/2015 Maier  
 D747,844 S 1/2016 Dawson  
 D747,845 S 1/2016 Pasloski  
 D753,896 S 4/2016 Yoo  
 D756,069 S 5/2016 Astin  
 D759,345 S 6/2016 Astin  
 D768,357 S 10/2016 White et al.  
 D783,933 S 4/2017 Darmour  
 D783,937 S 4/2017 Miller et al.  
 D790,159 S \* 6/2017 Moore ..... D2/731  
 D790,160 S \* 6/2017 Lomax ..... D2/731  
 D794,903 S \* 8/2017 Johnston ..... D2/700  
 D794,904 S \* 8/2017 Johnston ..... D2/700  
 D796,152 S \* 9/2017 Miller ..... D2/731  
 2004/0031830 A1 2/2004 Davis  
 2008/0083055 A1 4/2008 Onda  
 2008/0189832 A1 8/2008 Oscher  
 2011/0009793 A1 1/2011 Lucero  
 2011/0131705 A1 6/2011 Waldman et al.  
 2012/0036615 A1 2/2012 Bradstreet et al.  
 2012/0311758 A1 12/2012 Nicholson et al.  
 2013/0026203 A1 1/2013 Overton  
 2013/0048687 A1 2/2013 Do  
 2013/0305433 A1 11/2013 Hedrick  
 2014/0182044 A1 7/2014 Cole  
 2014/0276325 A1 9/2014 Turkbash  
 2015/0216245 A1 8/2015 Kinsley  
 2016/0213071 A1 7/2016 Vomle von Haagenfels  
 2016/0302494 A1\* 10/2016 Smart ..... A41D 13/0015  
 2016/0338435 A1 11/2016 Aihara

FOREIGN PATENT DOCUMENTS

JP 2012171673 A 9/2012  
 WO 9222463 A1 12/1992  
 WO 2013020083 A1 2/2013

OTHER PUBLICATIONS

Athleta Catalog, Organic Cotton Salamba Pant, p. 64, Fall 2011, Petaluma, California.  
 Athleta Catalog, Kickbooty Pant, p. 65, Fall 2011, Petaluma, California.

\* cited by examiner

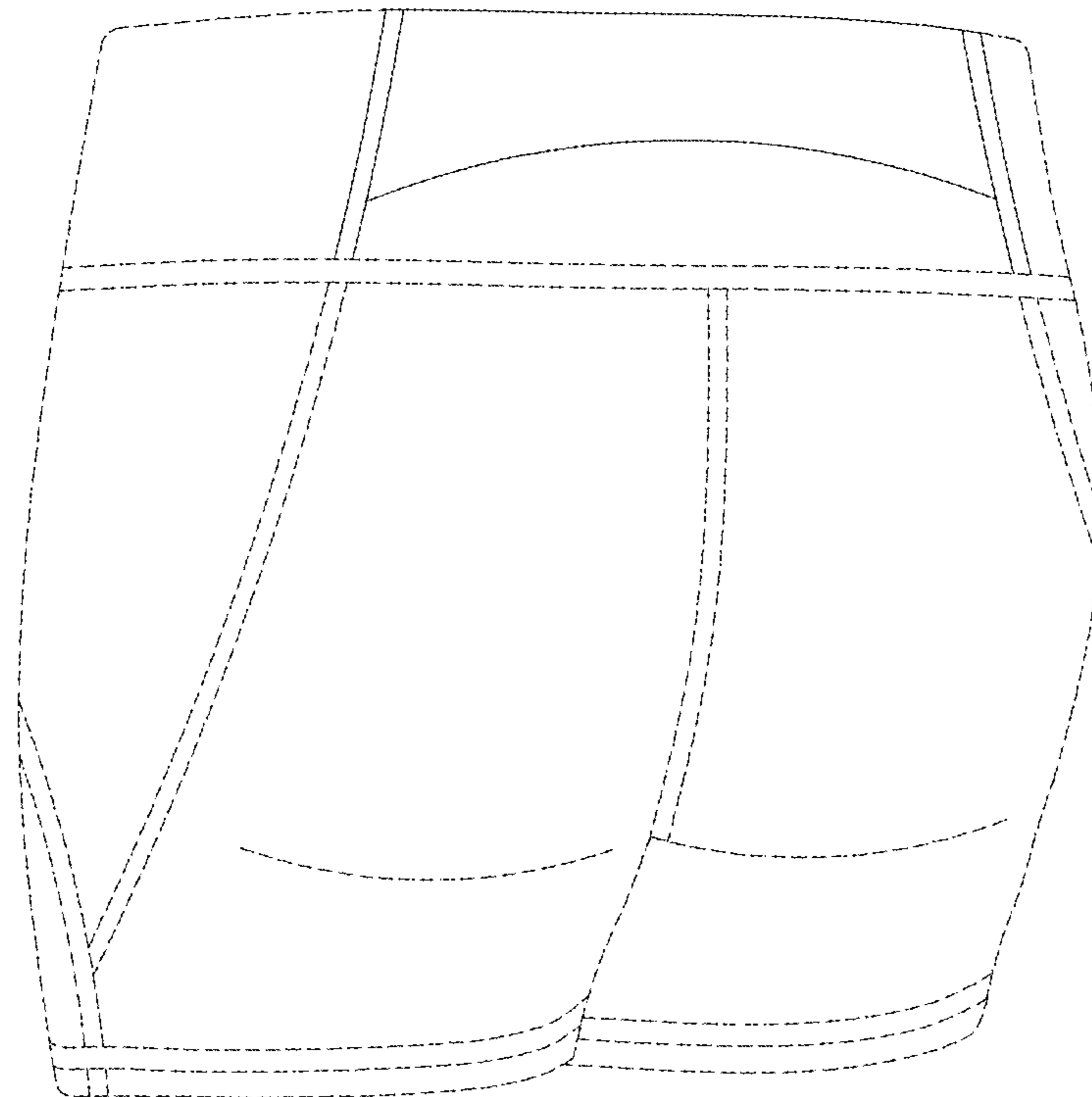


FIG.1

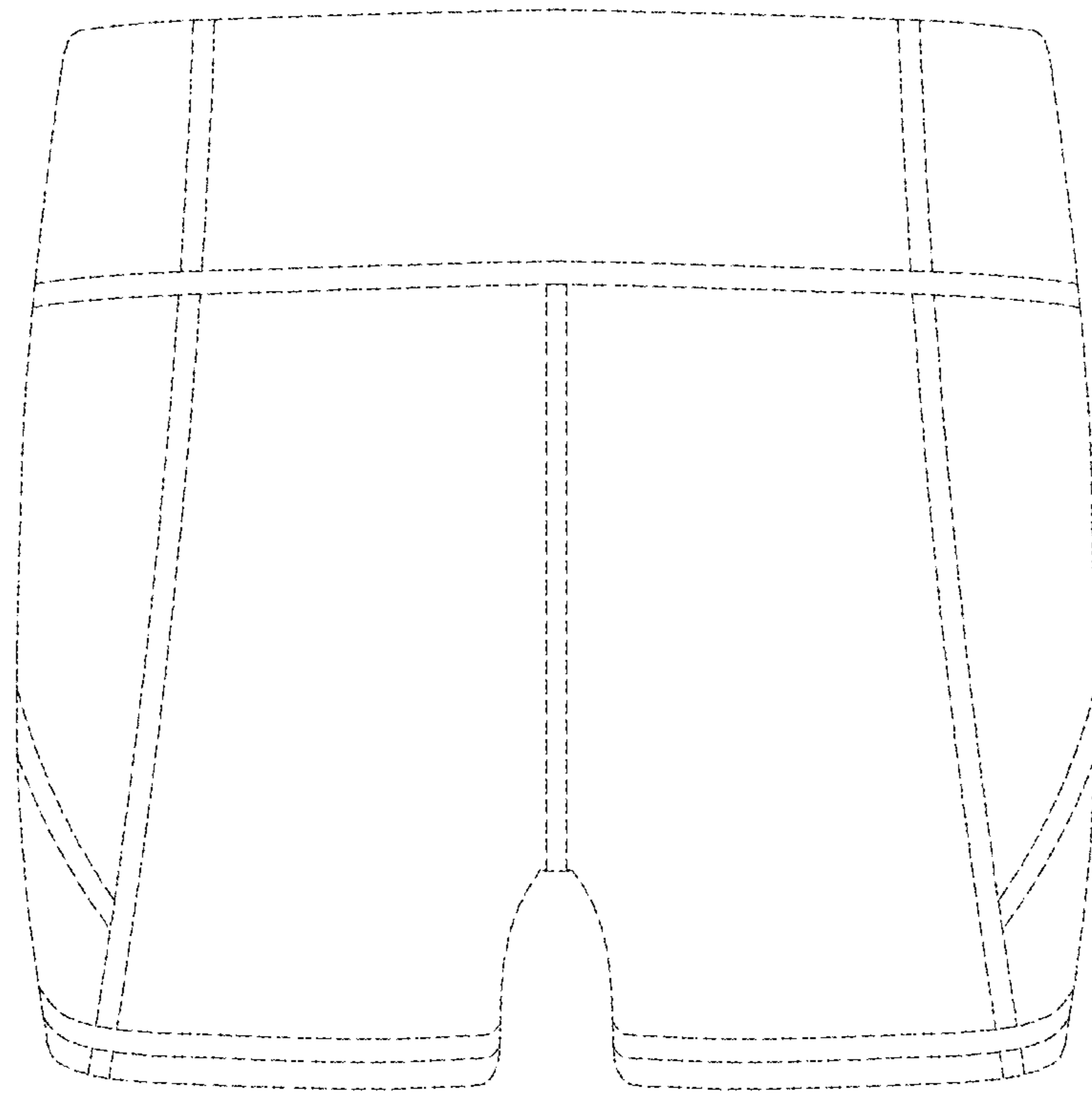


FIG.2

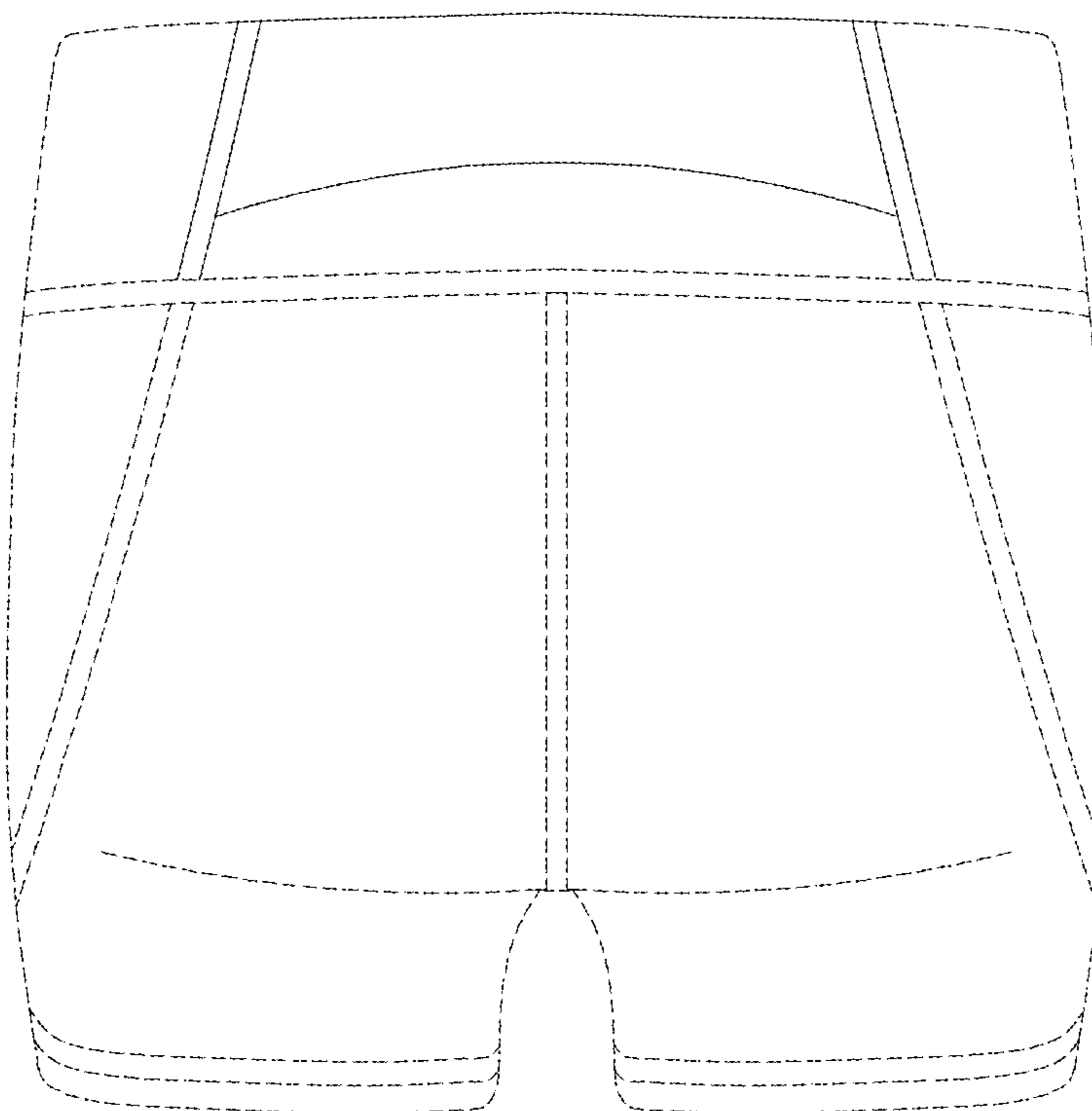


FIG.3

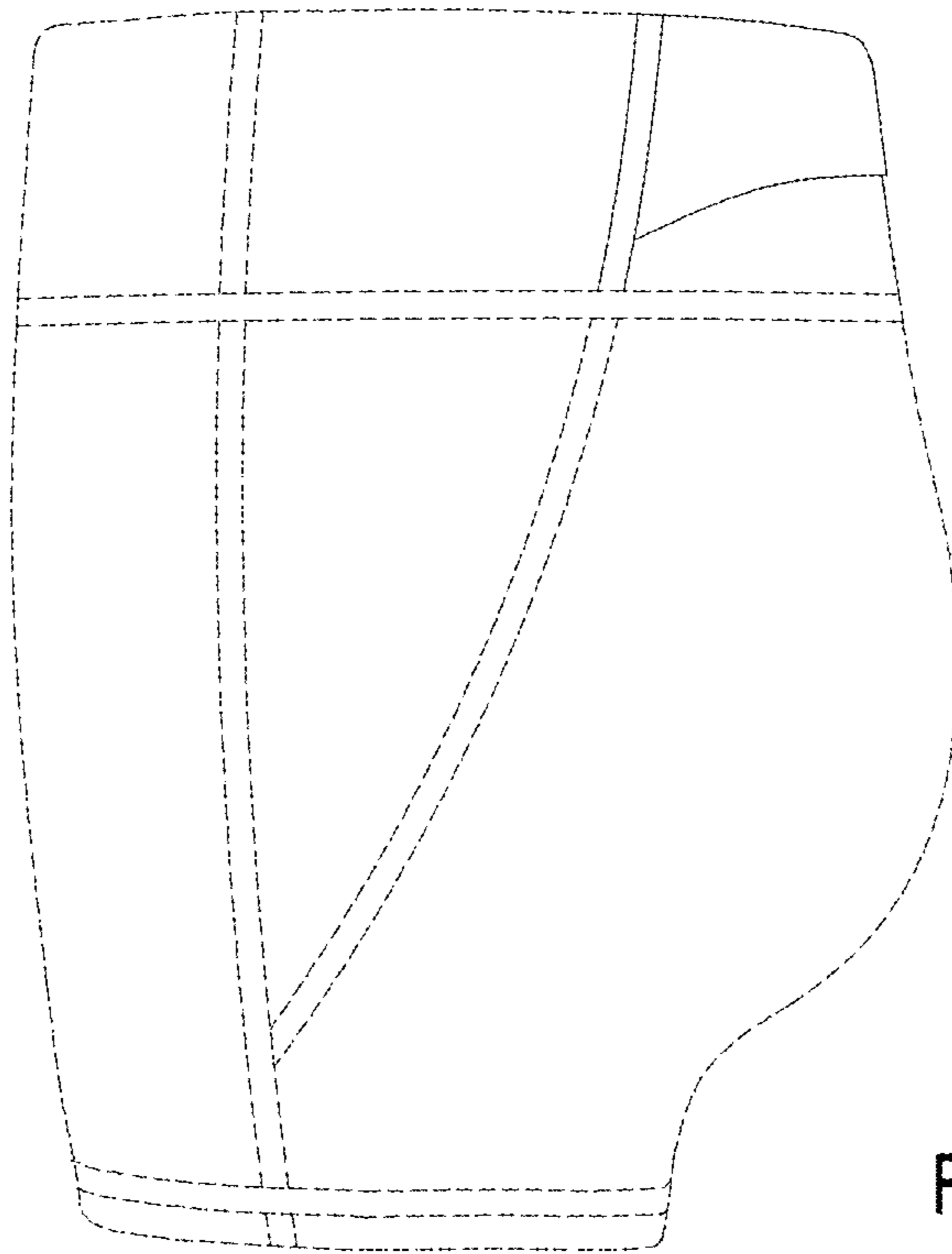


FIG.4

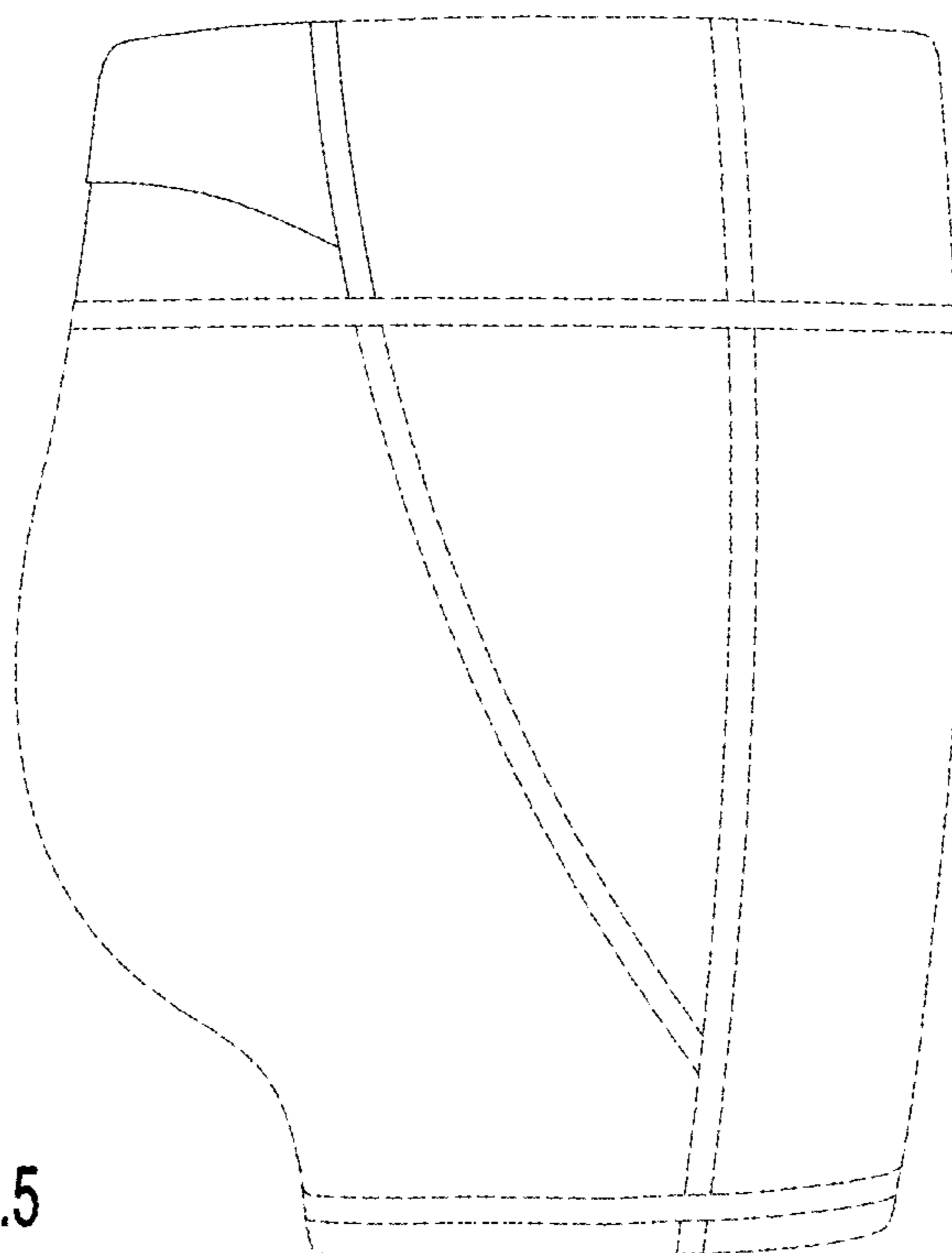


FIG.5

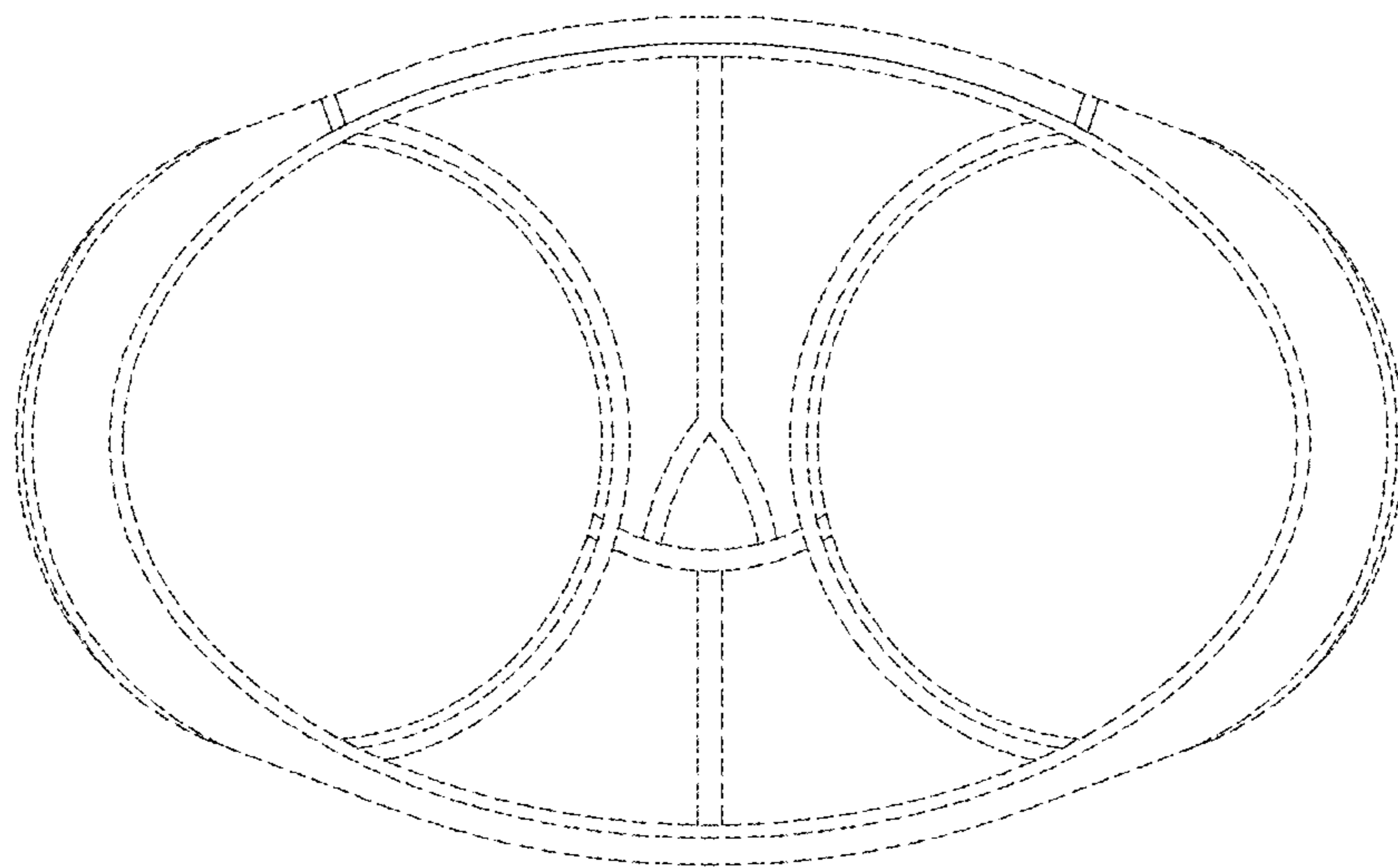


FIG.6

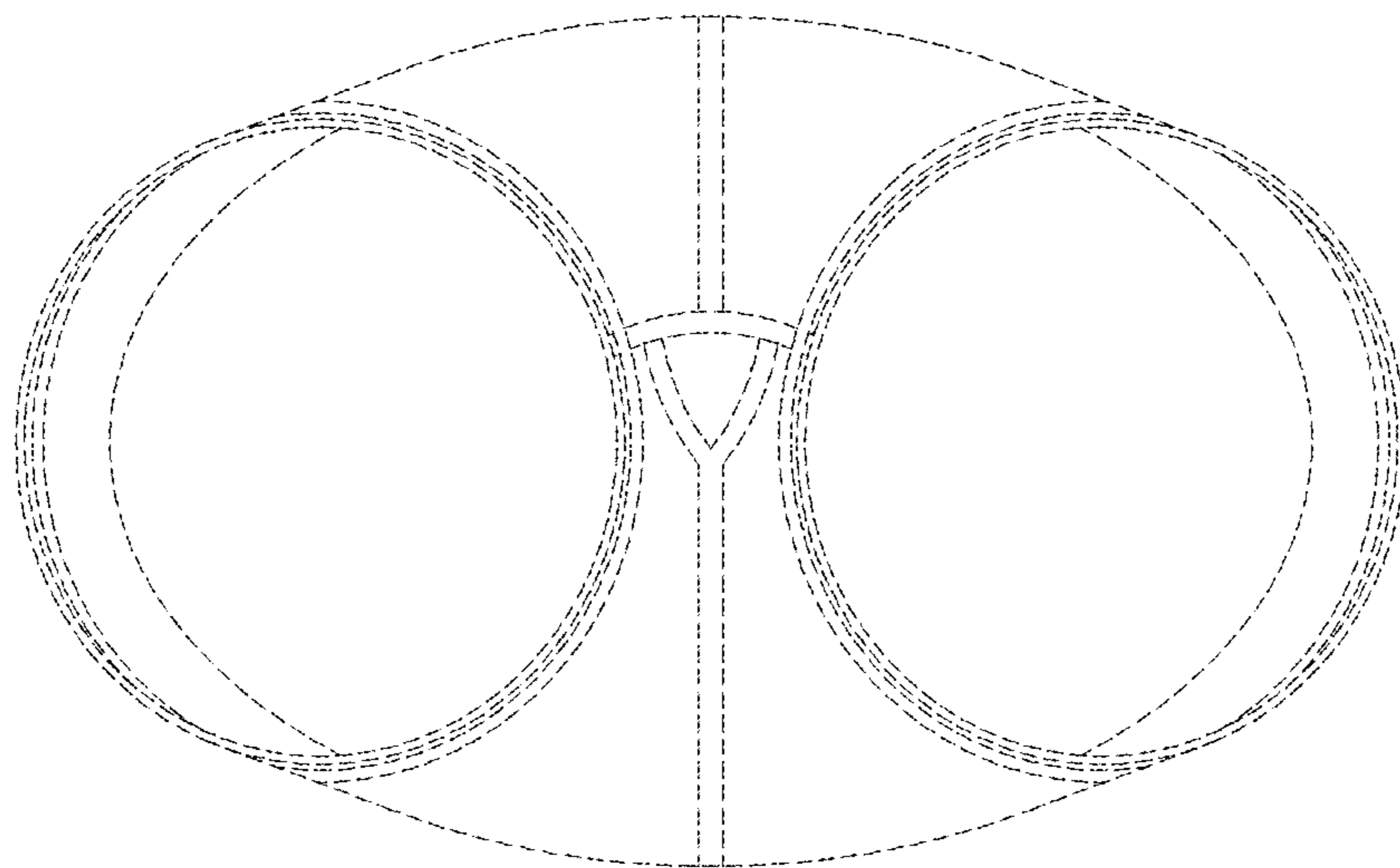


FIG.7