



US00D808106S

(12) **United States Design Patent**
Wen et al.

(10) **Patent No.:** **US D808,106 S**
(45) **Date of Patent:** **** Jan. 16, 2018**

- (54) **FORKLIFT** 4,688,981 A * 8/1987 Ravensborg B66F 9/12
414/607
- (71) Applicant: **BYD COMPANY LIMITED,** D305,894 S * 2/1990 Kato D15/23
Shenzhen, Guangdong (CN) 5,071,187 A * 12/1991 Smith B66F 9/07545
280/756
- (72) Inventors: **Shaohua Wen,** Shenzhen (CN); **Wei** D353,931 S * 12/1994 Kobayakawa D34/34
Su, Shenzhen (CN); **Yongwei Chen,** D354,604 S * 1/1995 Soederberg D34/34
Shenzhen (CN) D355,291 S * 2/1995 Soederberg D34/28
D355,292 S * 2/1995 Soederberg D34/28
D356,201 S * 3/1995 Sato D34/28
- (73) Assignee: **BYD COMPANY LIMITED,** D362,329 S * 9/1995 Heiler D34/34
Shenzhen (CN) D371,669 S * 7/1996 Yoon D34/28
D384,476 S * 9/1997 Rick D34/34
D386,872 S * 11/1997 Rick D34/34
- (**) Term: **15 Years** (Continued)

(21) Appl. No.: **29/557,743**

Primary Examiner — Mitchell Siegel

(22) Filed: **Mar. 11, 2016**

(74) *Attorney, Agent, or Firm* — Morgan, Lewis & Bockius LLP

Related U.S. Application Data

(62) Division of application No. 29/502,880, filed on Sep. 19, 2014, now Pat. No. Des. 756,056.

(57) **CLAIM**

The ornamental design for a forklift, as shown and described.

Foreign Application Priority Data

Apr. 25, 2014 (CN) 2014 3 0104787

DESCRIPTION

(51) **LOC (11) Cl.** **12-05**

(52) **U.S. Cl.**
USPC **D34/28**

(58) **Field of Classification Search**
USPC D34/28, 33, 34; D15/22–26
CPC B66F 9/00–9/24
See application file for complete search history.

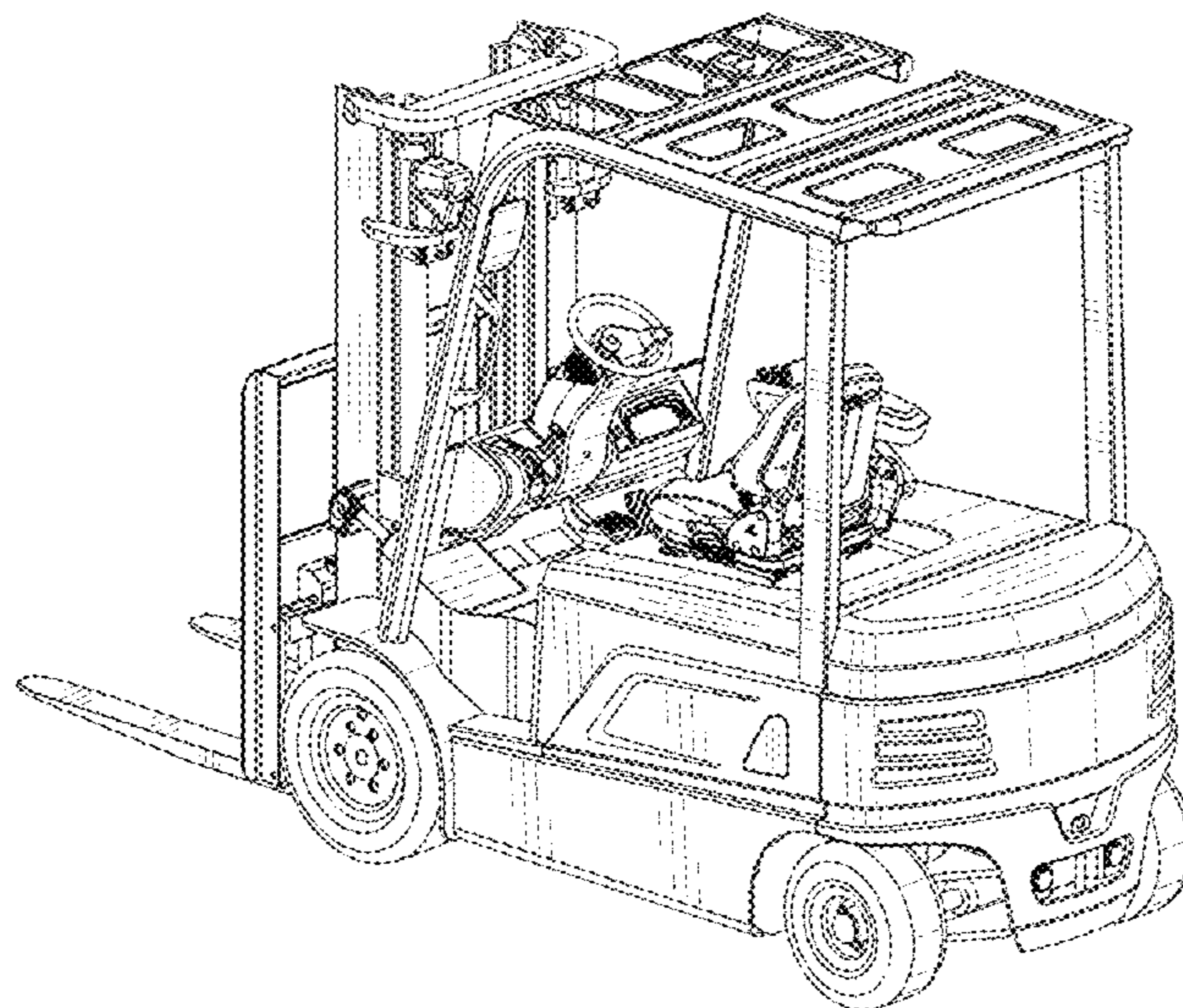
FIG. 1 is a front elevational view of a forklift embodying a design;
 FIG. 2 is a rear elevational view of a forklift embodying the design;
 FIG. 3 is a left side elevational view of a forklift embodying the design;
 FIG. 4 is a right side elevational view of a forklift embodying the design;
 FIG. 5 is a top plan view of a forklift embodying the design;
 FIG. 6 is a front perspective view of a forklift embodying the design;
 FIG. 7 is a rear perspective view of a forklift embodying the design; and,
 FIG. 8 is a rear perspective view of a forklift embodying the design.

(56) **References Cited**

U.S. PATENT DOCUMENTS

- 3,232,380 A * 2/1966 Hansen B66F 9/16
187/237
- D234,050 S * 1/1975 Crawford D34/34
- 4,322,107 A * 3/1982 Ishizuka B66F 9/07554
180/89.1

1 Claim, 8 Drawing Sheets



(56)

References Cited

U.S. PATENT DOCUMENTS

D386,877	S *	11/1997	Russey	D34/34
D389,981	S *	1/1998	Donaldson	D34/28
D389,982	S *	1/1998	Kim	D34/28
D393,134	S *	3/1998	Mariano	D34/28
D393,516	S *	4/1998	Hahn	D34/34
D393,517	S *	4/1998	Kim	D12/1
D395,115	S *	6/1998	Russey	D34/34
D395,532	S *	6/1998	Kim	D34/34
D396,928	S *	8/1998	Hahn	D34/34
5,881,842	A *	3/1999	Kikukawa	B66F 9/07545 187/222
D411,681	S *	6/1999	Murakami	D34/34
D412,385	S *	7/1999	Murakami	D34/34
D427,409	S *	6/2000	Sato	D34/34
D432,753	S *	10/2000	Braud	D34/34
D441,936	S *	5/2001	Brandt	D12/1
D448,136	S *	9/2001	Yurushi	D34/34
D452,598	S *	12/2001	Sato	D34/34
D466,268	S *	11/2002	Kraimer	D34/34
D466,669	S *	12/2002	Kraimer	D34/34
D468,885	S *	1/2003	Salin	D34/34
D469,236	S *	1/2003	Mitsuyoshi	D34/34
D536,504	S *	2/2007	Righi	D34/34
D538,004	S *	3/2007	Kouyama	D34/34
D542,503	S *	5/2007	Righi	D34/34
D557,872	S *	12/2007	Mori	D34/34
D571,073	S *	6/2008	Buchmann	D34/35
8,585,344	B2 *	11/2013	Sharp	B66F 9/085 187/237
D752,310	S *	3/2016	Wen	D34/28
D756,056	S *	5/2016	Wen	D34/34

* cited by examiner

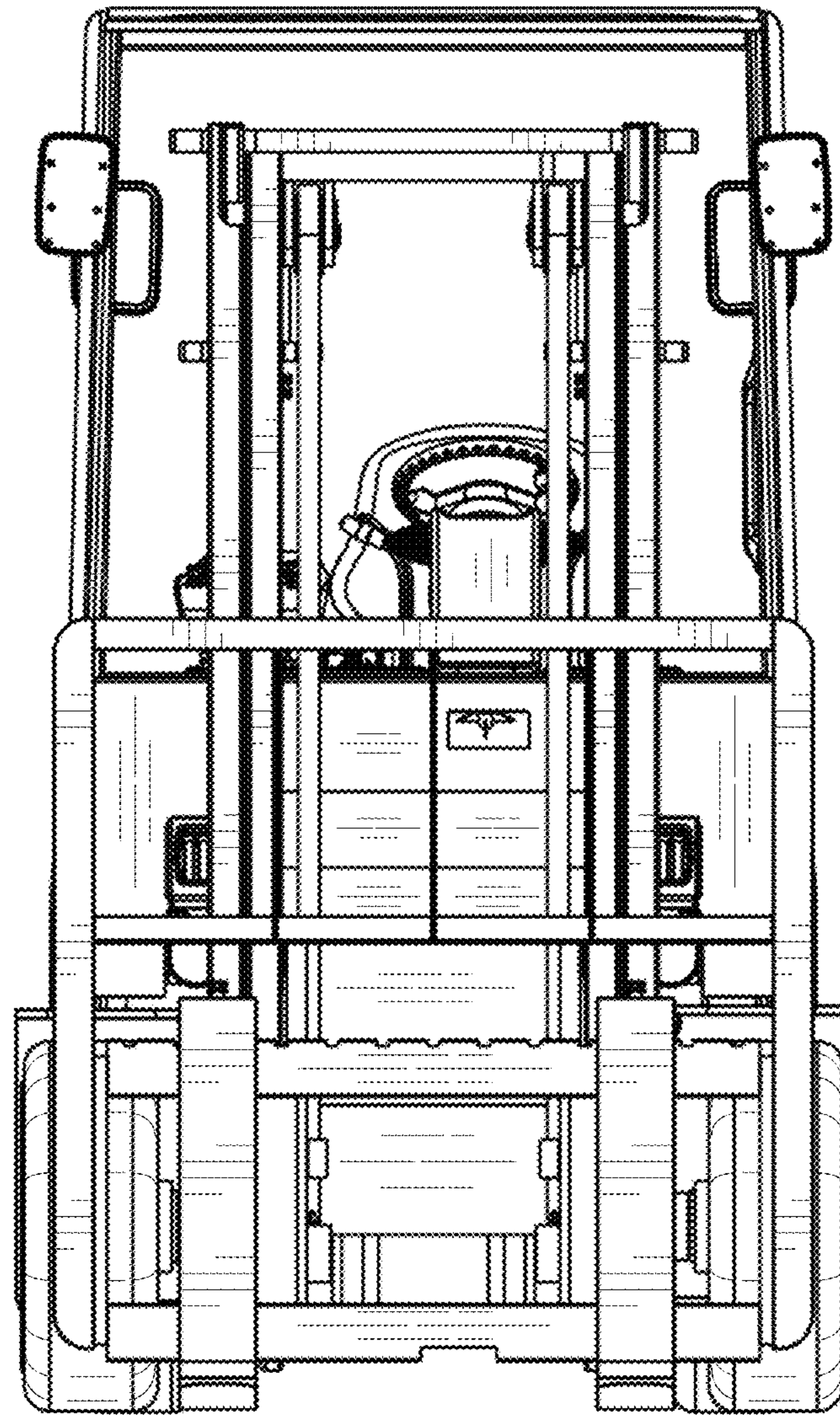


FIG. 1

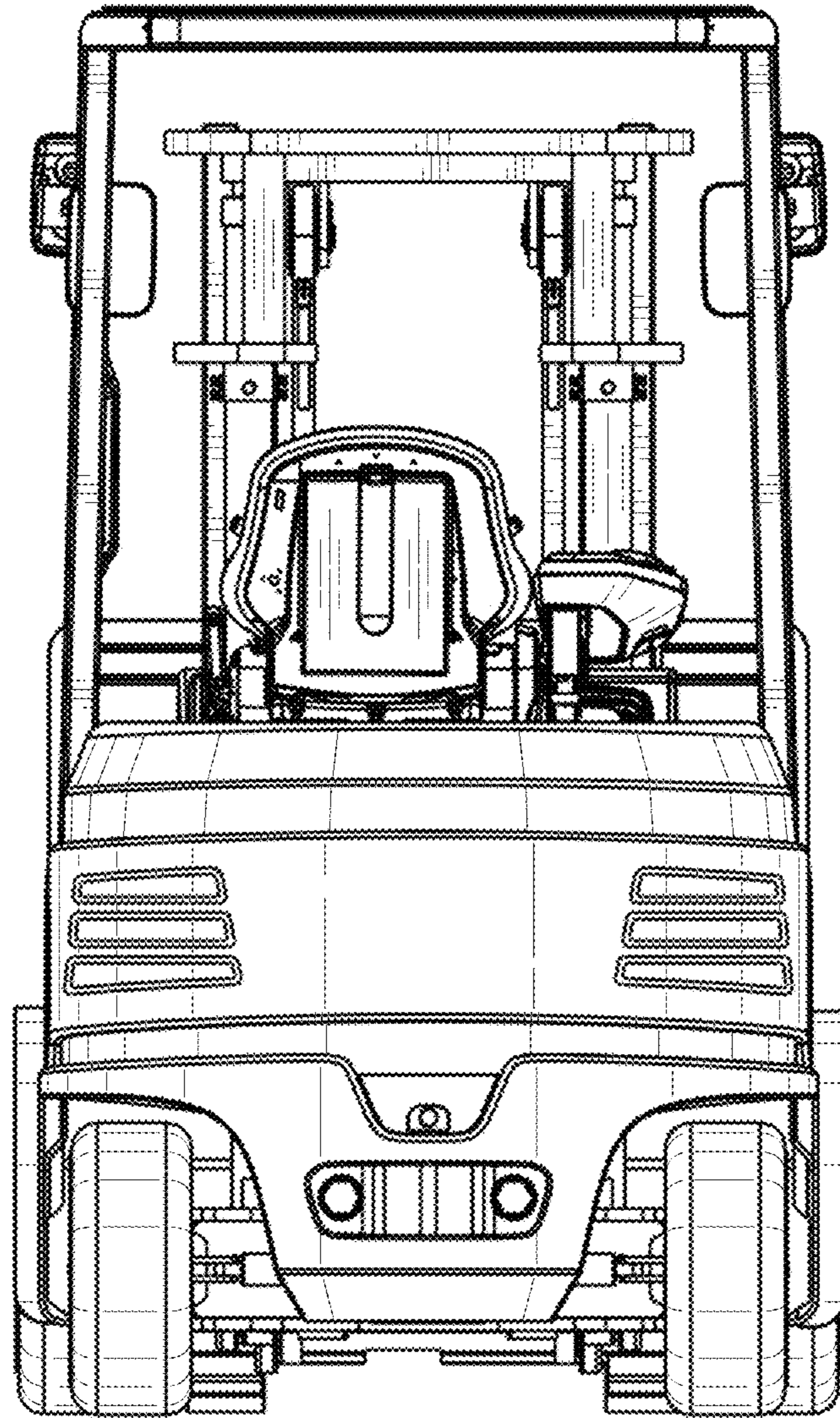


FIG. 2

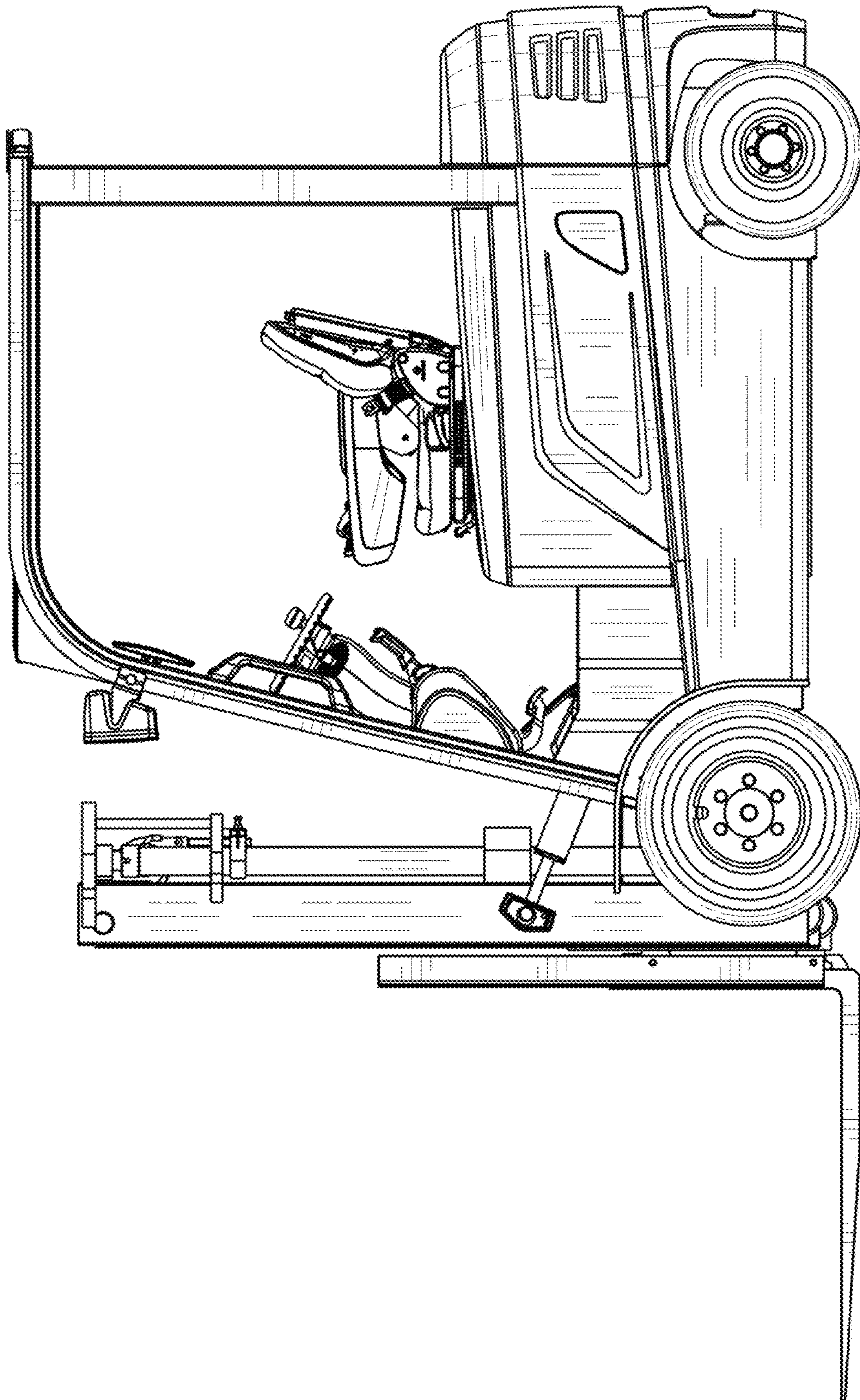


FIG. 3

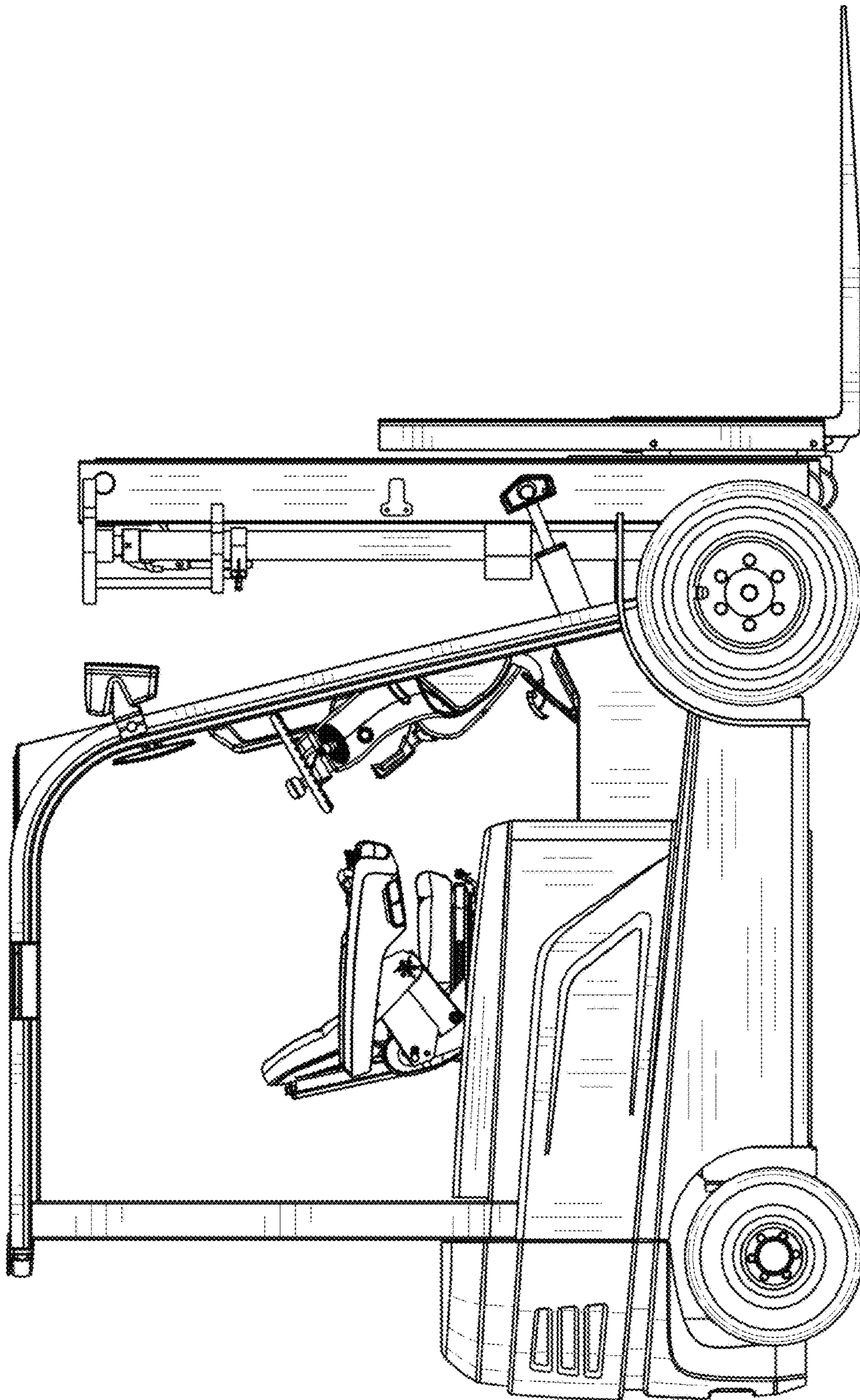


FIG. 4

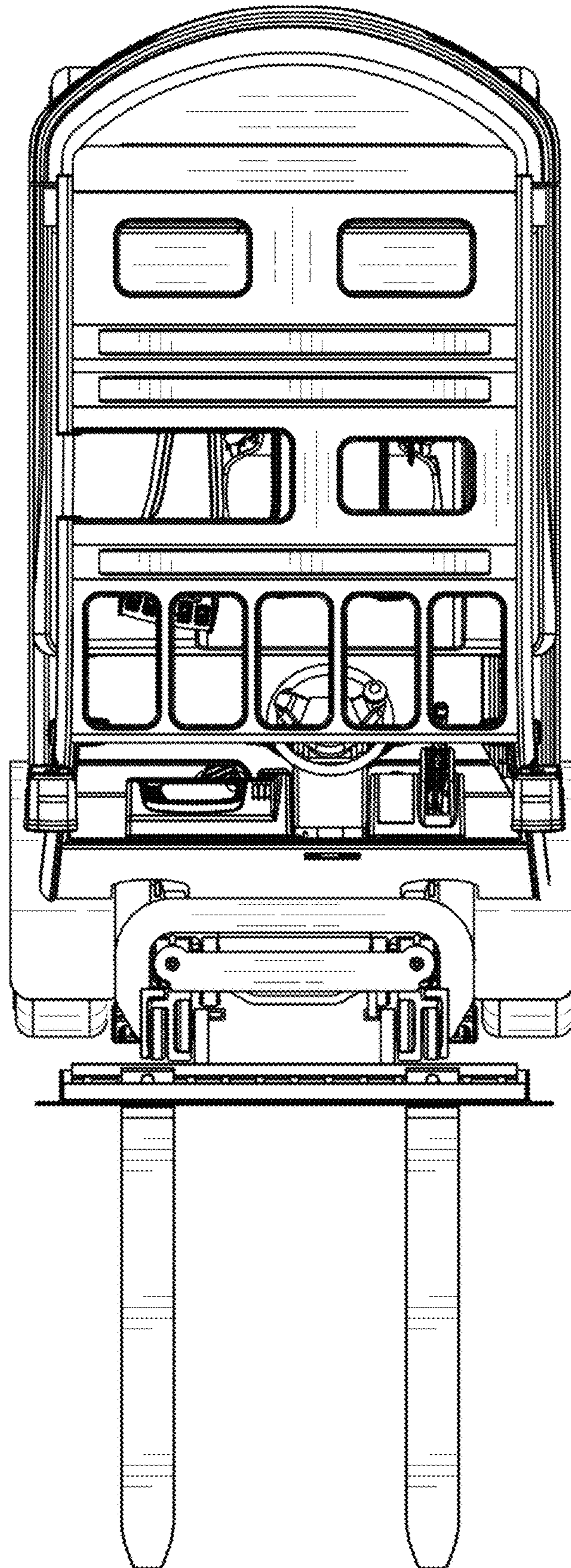


FIG. 5

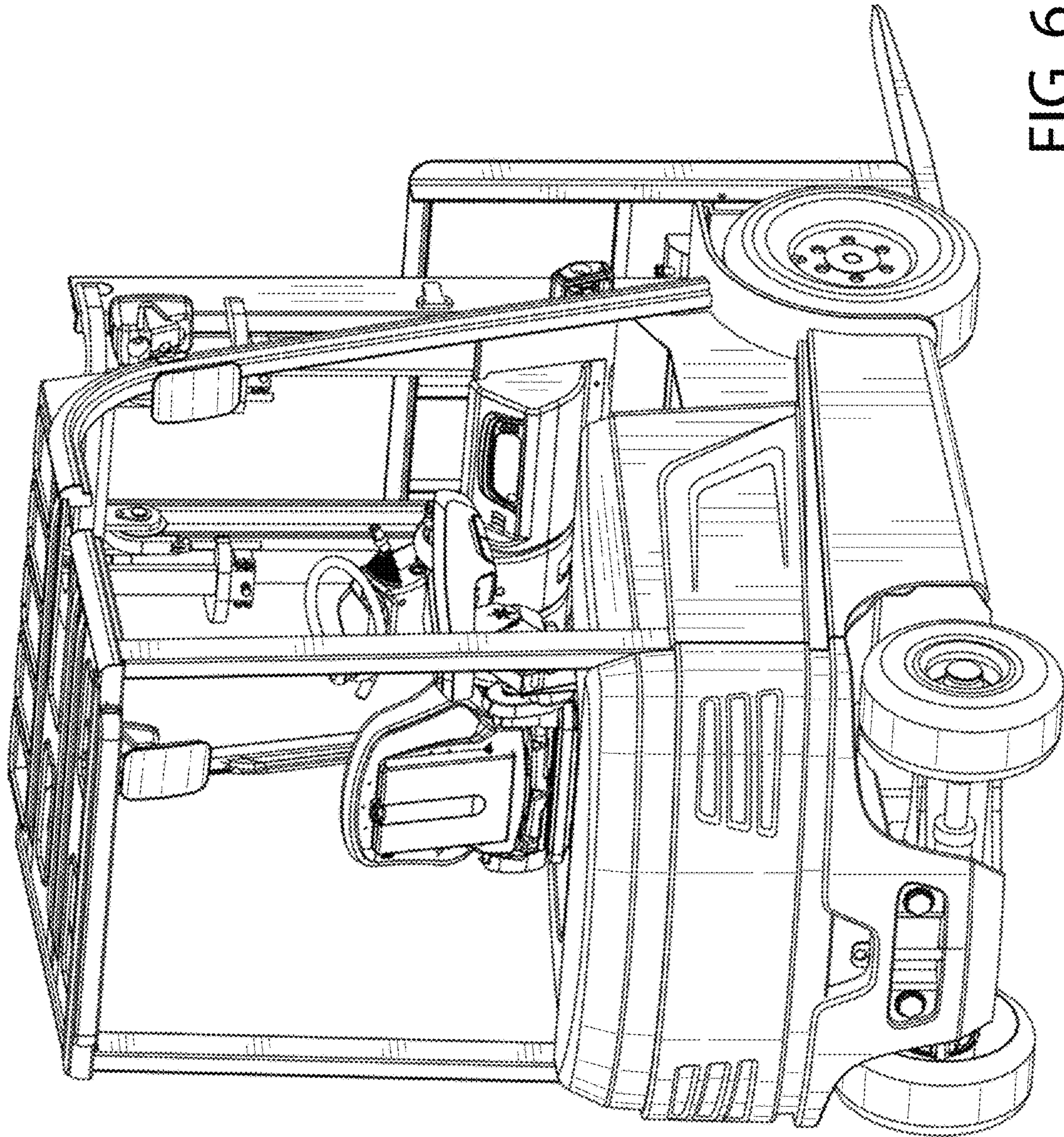


FIG. 6

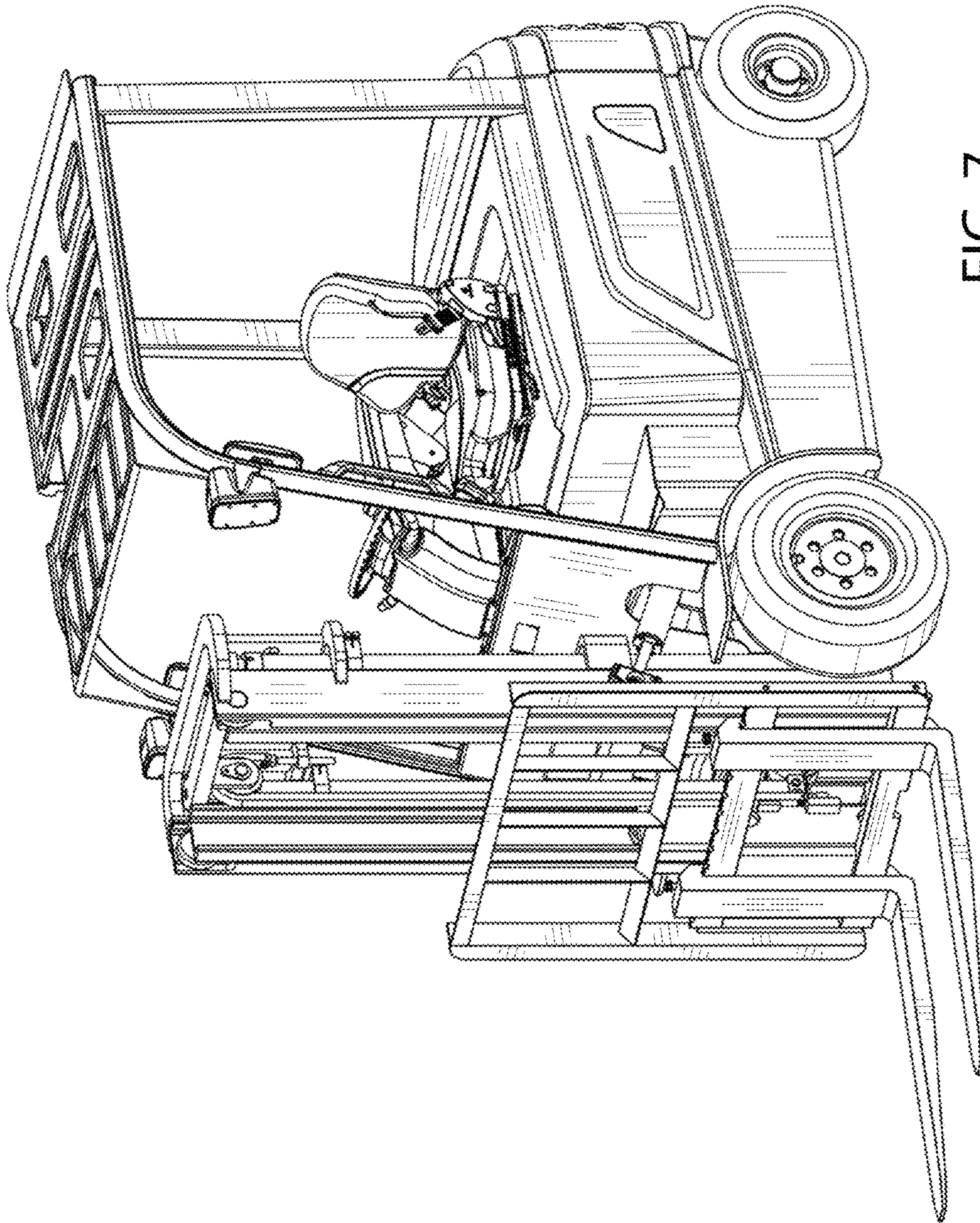


FIG. 7

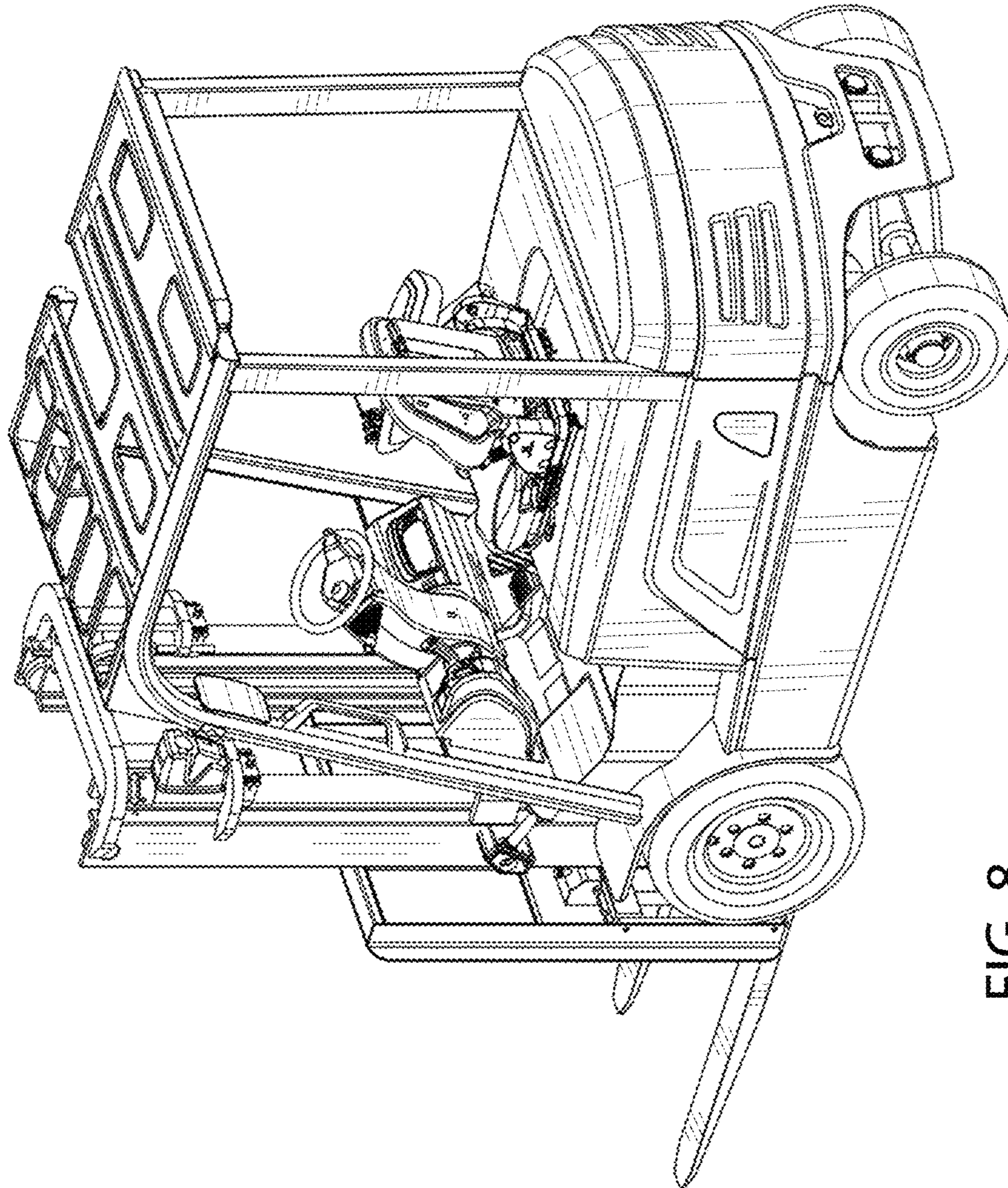


FIG. 8