



US00D808105S

(12) **United States Design Patent** (10) **Patent No.:** **US D808,105 S**
Harris (45) **Date of Patent:** **** Jan. 16, 2018**

(54) **BALL WHEEL FOR A WHEELBARROW**
(71) Applicant: **Gardeco Limited**, Kidderminster (GB)
(72) Inventor: **Isabelle Harris**, Kidderminster (GB)
(73) Assignee: **GARDECO LIMITED**, Kidderminster (GB)

D463,893 S * 10/2002 Hoffmann D34/16
D527,157 S * 8/2006 Boon D34/16
D626,304 S * 10/2010 McEvoy D34/27
D678,642 S * 3/2013 Riddiford D34/24
D679,472 S * 4/2013 Halsted D34/27
D781,520 S * 3/2017 Chen D34/16
2010/0059950 A1 * 3/2010 Coghill, Jr. B62B 1/14
280/47.26

(**) Term: **15 Years**

FOREIGN PATENT DOCUMENTS

GB 4037410 9/2014

(21) Appl. No.: **29/560,608**

* cited by examiner

(22) Filed: **Apr. 8, 2016**

Primary Examiner — Cynthia Ramirez

(51) **LOC (11) Cl.** **12-02**

(74) *Attorney, Agent, or Firm* — Hodgson Russ LLP

(52) **U.S. Cl.**
USPC **D34/27**

(57) **CLAIM**

(58) **Field of Classification Search**
USPC D34/15, 16, 27; 180/19.3, 56.6, 78, 212,
180/19.1, 351
CPC B60B 1/14; B60B 1/20; B60B 1/24; B62B
5/0033
See application file for complete search history.

The ornamental design for a ball wheel for a wheelbarrow, as shown and described.

DESCRIPTION

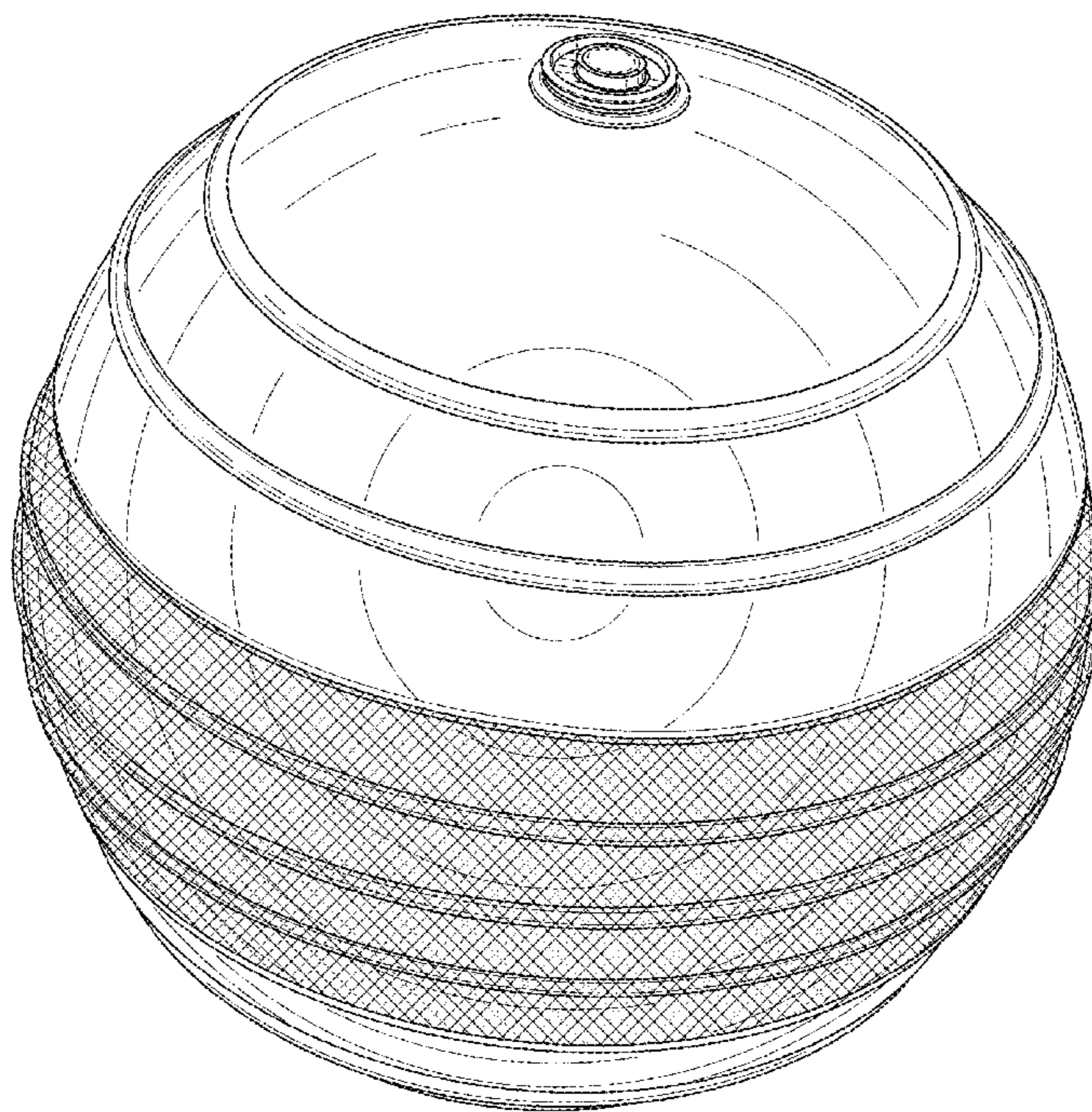
(56) **References Cited**

U.S. PATENT DOCUMENTS

2,967,058 A * 1/1961 Hoffmann, Jr. A47C 1/14
280/30
3,826,511 A * 7/1974 Frank B60B 19/14
280/47.31
4,058,344 A * 11/1977 Dyson B60B 19/14
152/7
4,523,774 A * 6/1985 Dickerson B62B 1/20
280/47.24
D318,355 S * 7/1991 Salvesen D12/501

FIG. 1 is a top perspective view of a ball wheel for a wheelbarrow showing my new design;
FIG. 2 is a bottom perspective view thereof;
FIG. 3 is a left side elevation view thereof, the front, rear, and right side elevation views being mirror-symmetrical thereto; and,
FIG. 4 is top plan view thereof, the bottom plan view being mirror-symmetrical thereto.
The broken lines shown in the Figures are for the purposes of illustrating portions of the ball wheel for a wheelbarrow and form no part of the claimed design. The cross-hatch indicates a contrast of appearance from the plain, adjacent surfaces.

1 Claim, 4 Drawing Sheets



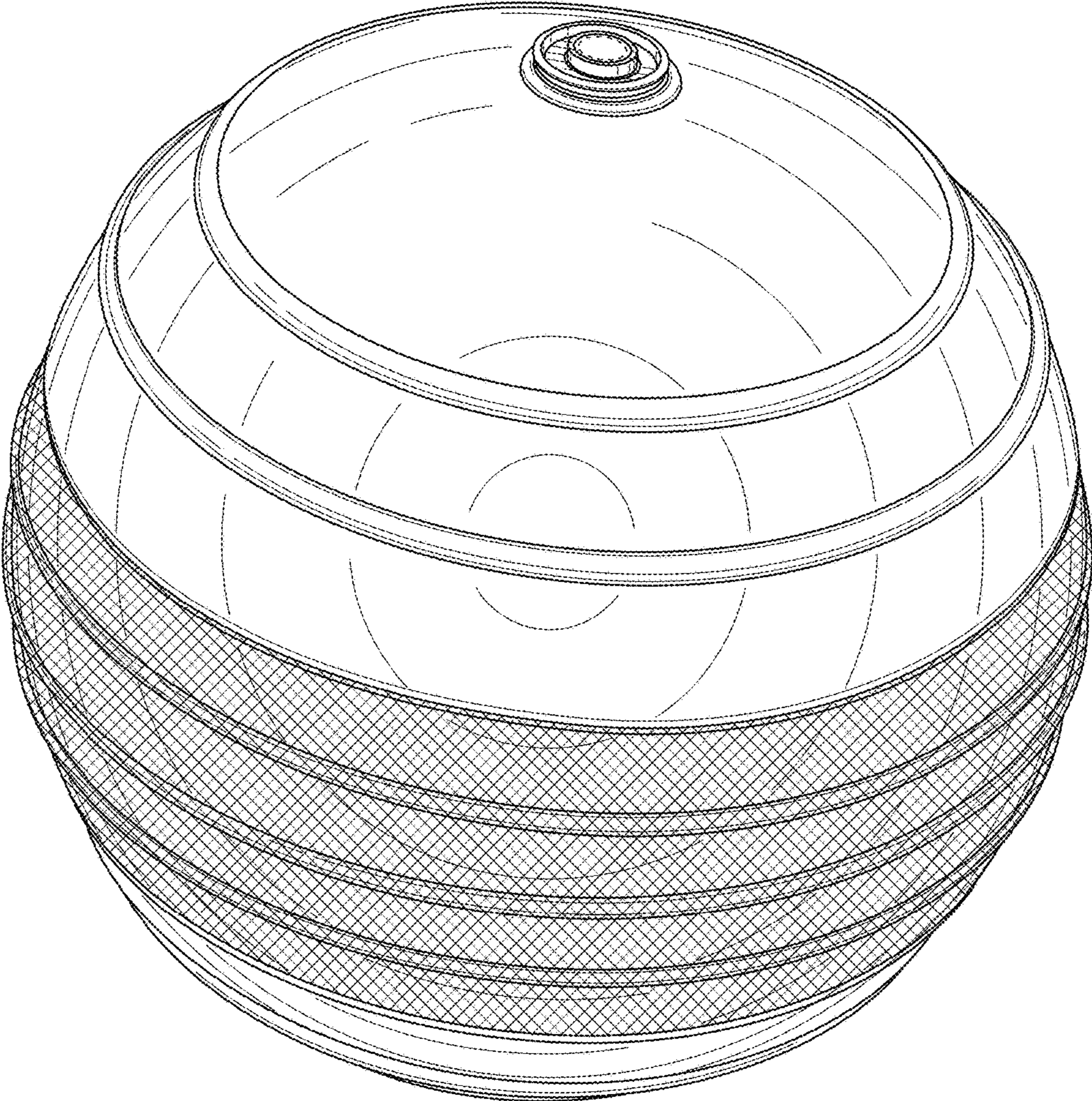


FIG. 1

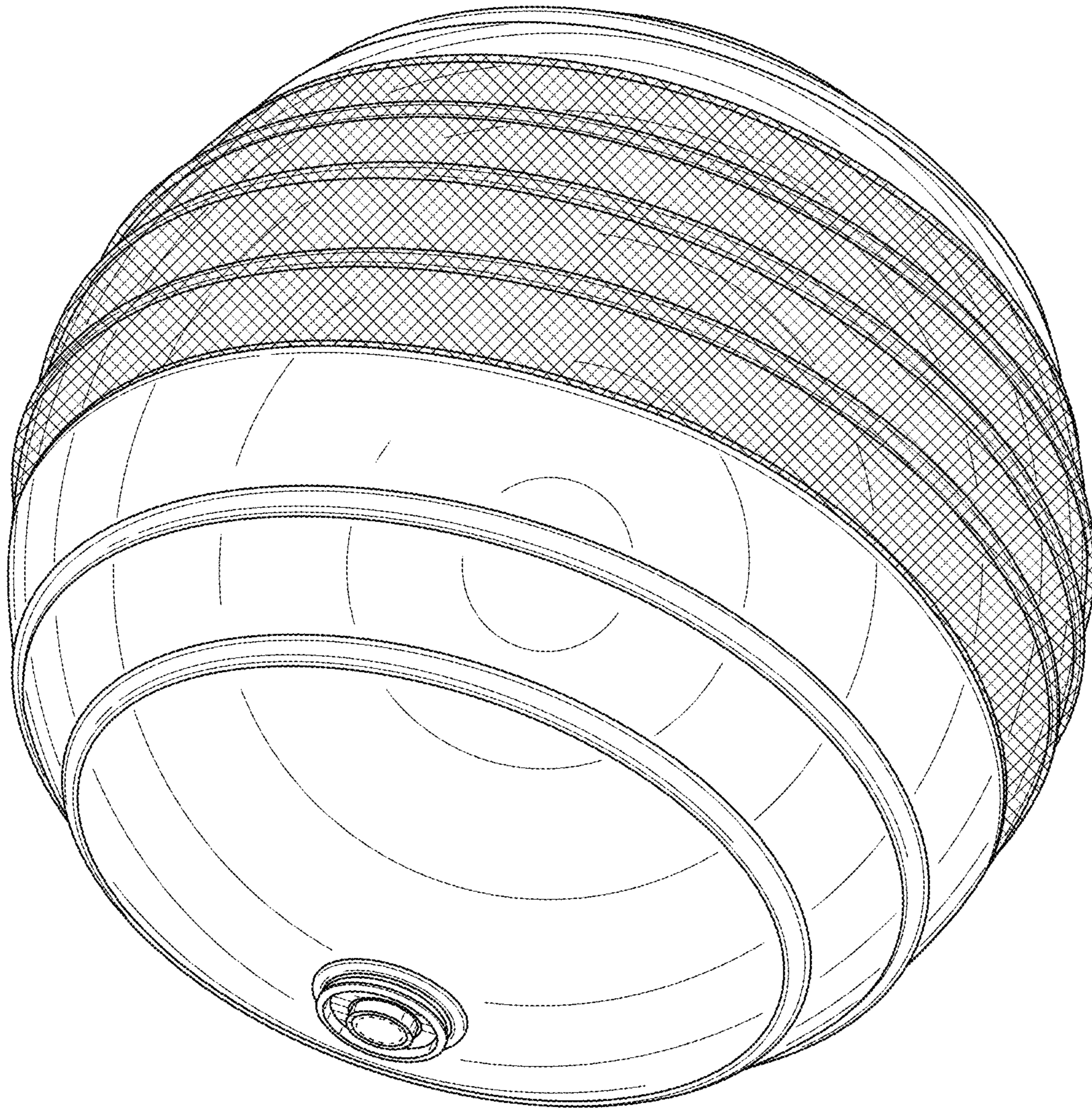


FIG. 2

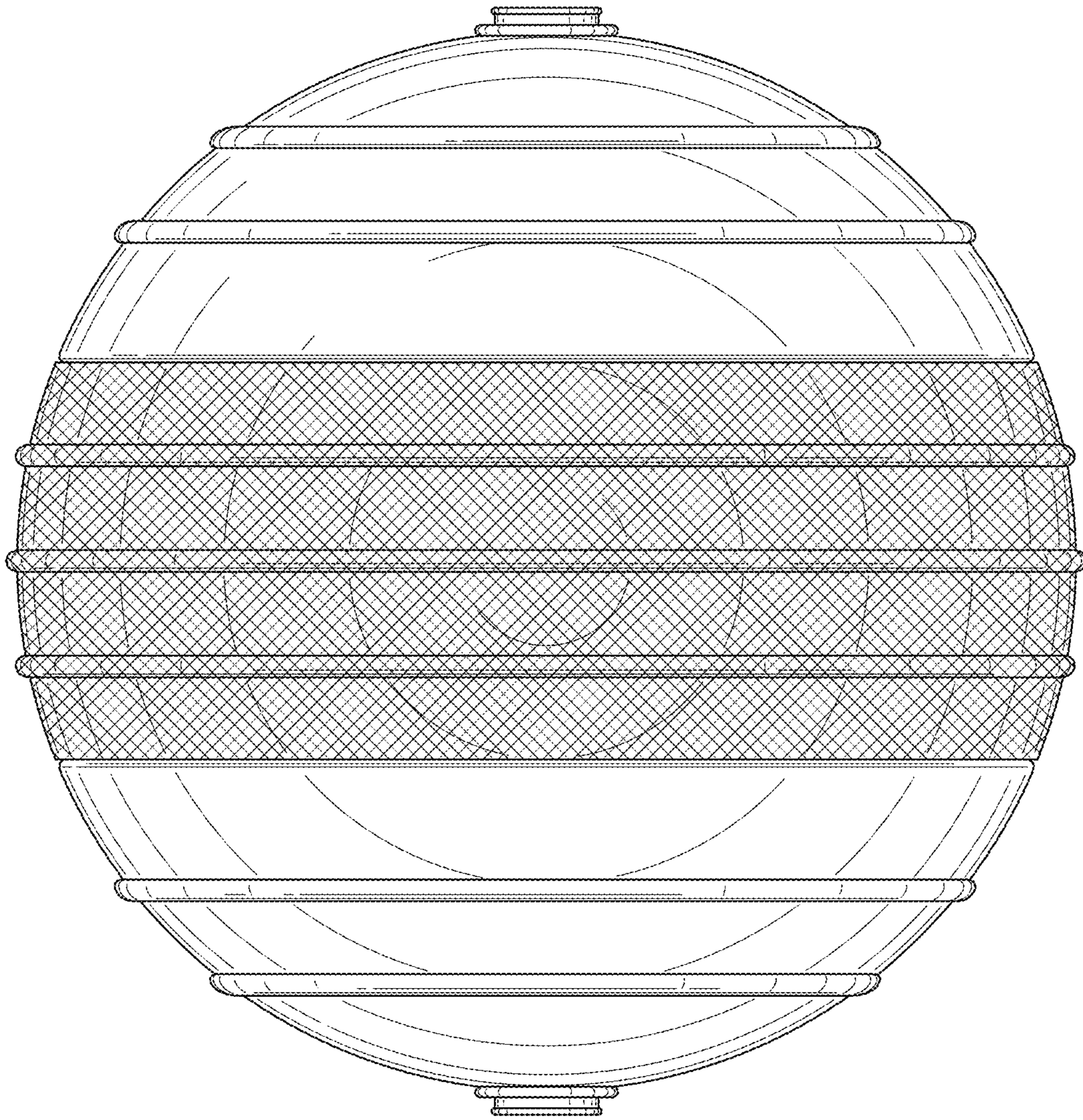


FIG. 3

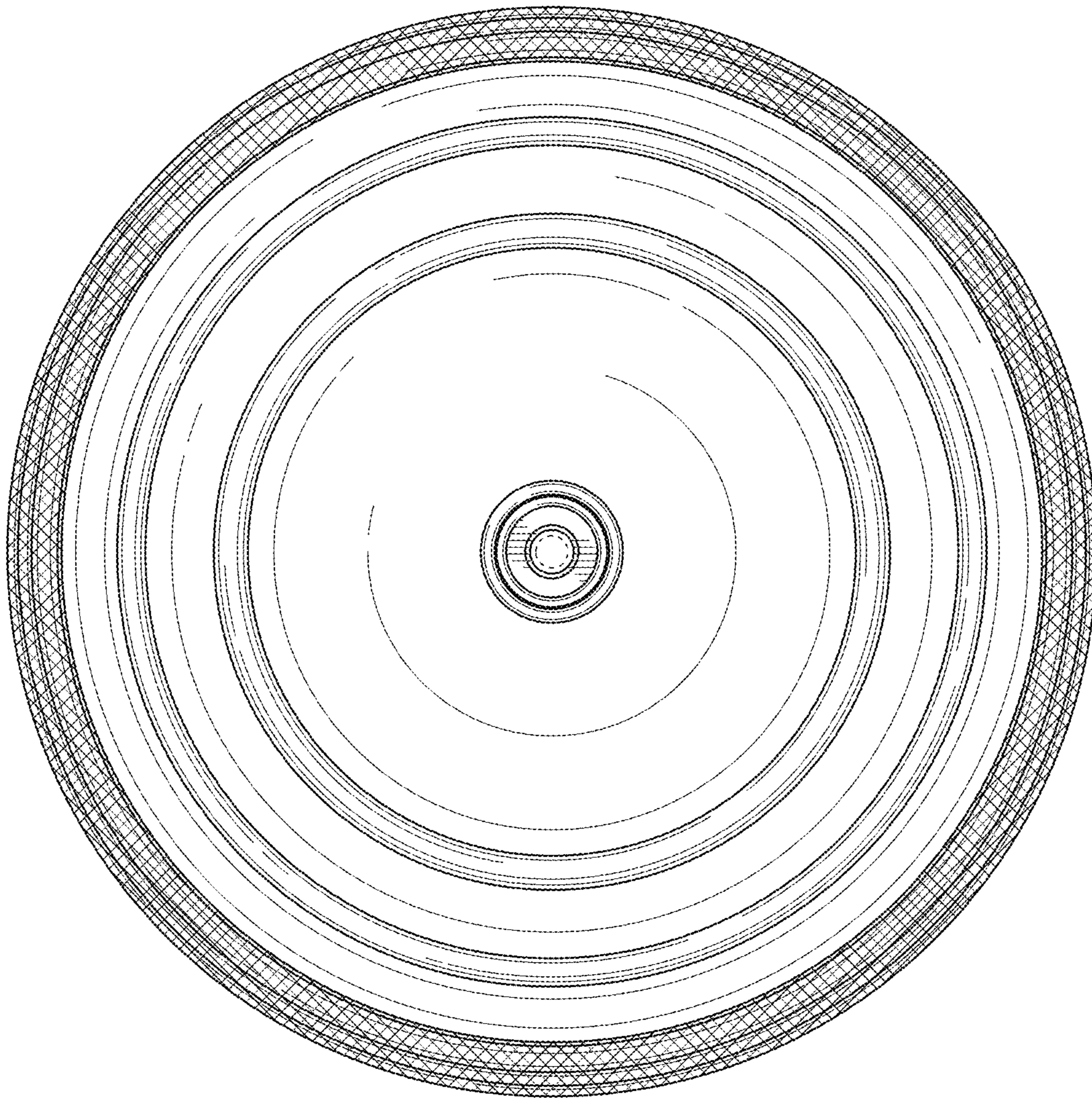


FIG. 4