



US00D808102S

(12) **United States Design Patent**  
**Kang et al.**

(10) **Patent No.:** **US D808,102 S**  
(45) **Date of Patent:** **\*\* Jan. 16, 2018**

(54) **TRAY FOR WASHING MACHINE**

FOREIGN PATENT DOCUMENTS

(71) Applicant: **Samsung Electronics Co., Ltd.**,  
Suwon-si (KR)

EM 002102343-0002 9/2012  
KR 30-2015-0003578 6/2015

(72) Inventors: **Yoonjong Kang**, Seoul (KR); **Yuna Park**, Seoul (KR)

*Primary Examiner* — Michael A. Pratt  
*Assistant Examiner* — Michelle E Wilson

(73) Assignee: **Samsung Electronics Co., Ltd.**,  
Suwon-si (KR)

(74) *Attorney, Agent, or Firm* — NSIP Law

(\*\*) Term: **15 Years**

(57) **CLAIM**

We claim the ornamental design for a tray for washing machine, as shown and described.

(21) Appl. No.: **29/552,741**

**DESCRIPTION**

(22) Filed: **Jan. 26, 2016**

(30) **Foreign Application Priority Data**

Jul. 27, 2015 (KR) ..... 30-2015-0037833

(51) **LOC (11) Cl.** ..... **15-05**

(52) **U.S. Cl.**  
USPC ..... **D32/67**

(58) **Field of Classification Search**

USPC ..... D32/6, 10, 25, 28, 67

CPC ..... D06F 39/14; D06F 31/00; D06F 29/00;

D06F 39/22; D06F 58/00; D06F 39/02;

D06F 37/10; D06F 37/28; D06F 3/00;

D06F 3/02

See application file for complete search history.

The file of this patent contains at least one drawing executed in color. Copies of this patent with color drawing(s) will be provided by the Office upon request and payment of the necessary fee.

FIG. 1 is a front perspective view of a tray for washing machine showing our new design;

FIG. 2 is a front view thereof;

FIG. 3 is a rear view thereof;

FIG. 4 is a left-side view thereof;

FIG. 5 is a right-side view thereof;

FIG. 6 is a top view thereof;

FIG. 7 is a bottom view thereof;

FIG. 8 is a second front perspective view thereof;

FIG. 9 is a third front perspective view thereof;

FIG. 10 is a fourth front perspective view thereof;

FIG. 11 is a fifth front perspective view thereof;

FIG. 12 is a sixth front perspective view thereof;

FIG. 13 is a seventh front perspective view thereof;

FIG. 14 is a cross sectional view taken through the line 14-14 of FIG. 9; and,

FIG. 15 is a cross sectional view taken through the line 15-15 of FIG. 4.

The color of the tray for washing machine forms no part of the claimed design.

(56) **References Cited**

U.S. PATENT DOCUMENTS

2,715,409 A \* 8/1955 Wachs ..... C23G 3/00  
134/112

D254,230 S \* 2/1980 Sanger ..... D32/67

D656,593 S \* 3/2012 Stauffer ..... D23/293.1

D668,412 S \* 10/2012 Bergman ..... D32/53.1

D723,142 S 2/2015 Casey

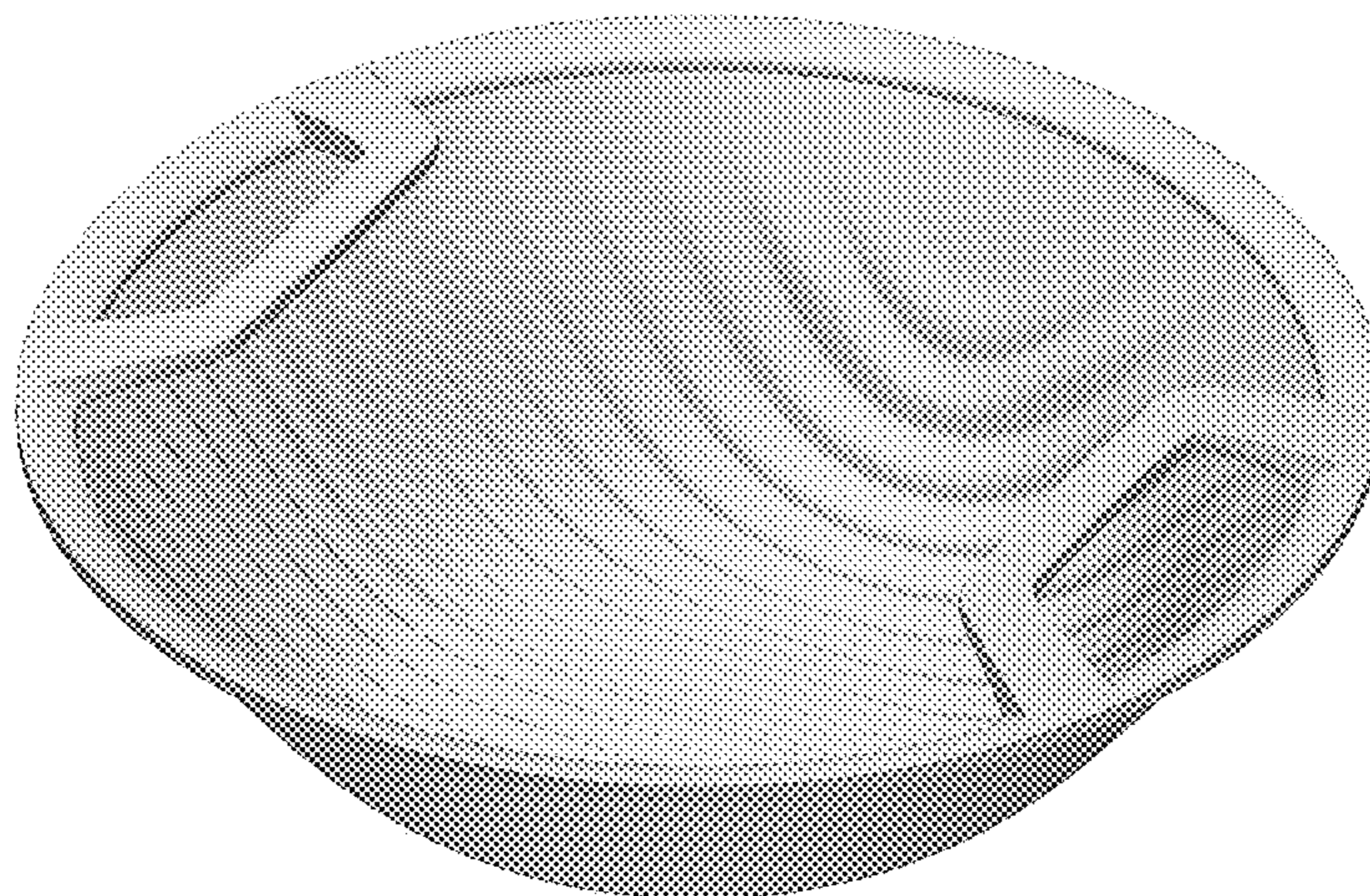
D732,765 S \* 6/2015 Joo ..... D32/25

D759,929 S \* 6/2016 Lee ..... D32/25

D759,930 S \* 6/2016 Kang ..... D32/25

(Continued)

**1 Claim, 15 Drawing Sheets**  
**(15 of 15 Drawing Sheet(s) Filed in Color)**



(56)

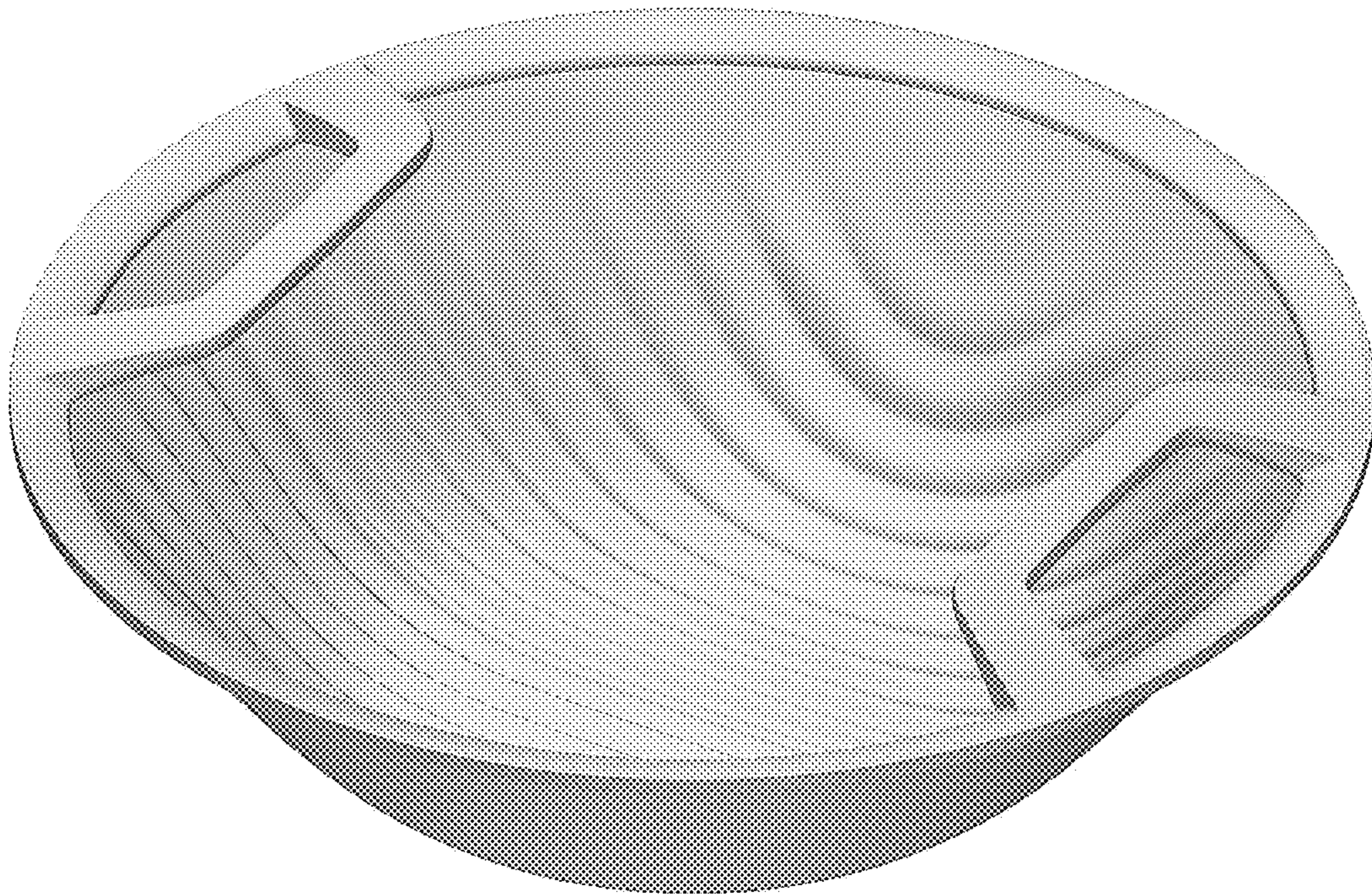
**References Cited**

U.S. PATENT DOCUMENTS

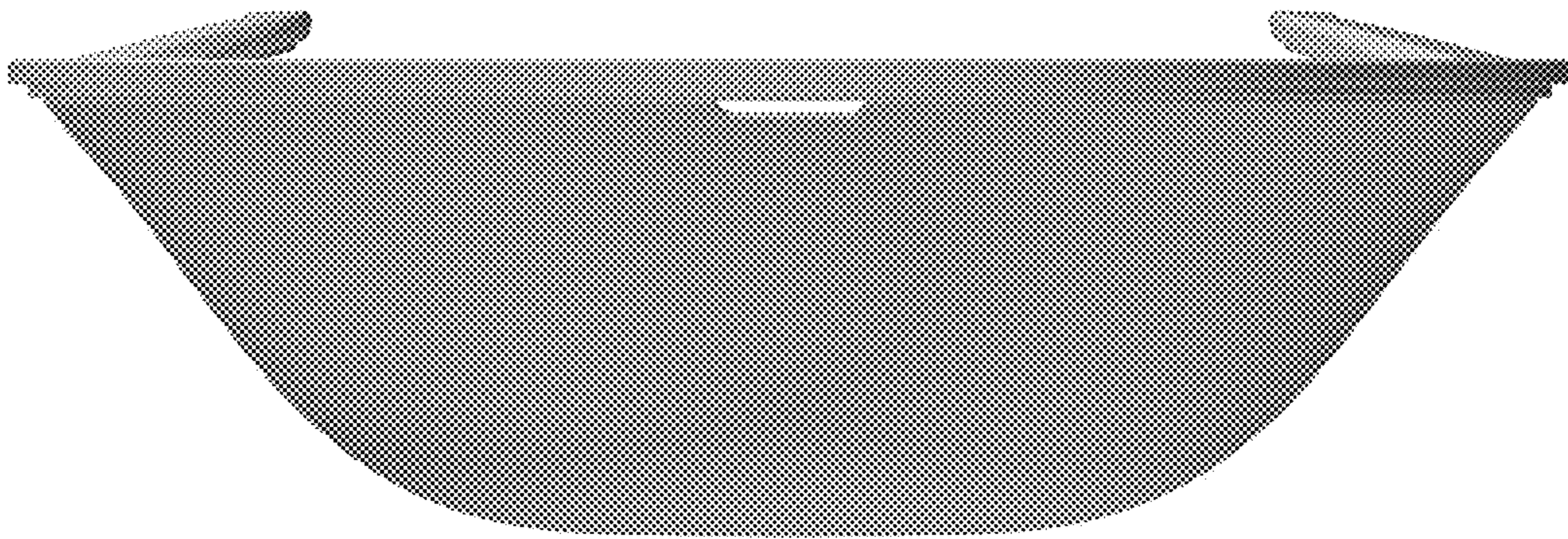
D759,931	S	*	6/2016	Lee	.....	D32/25
D759,932	S	*	6/2016	Lee	.....	D32/25
D759,933	S	*	6/2016	Lee	.....	D32/25
D760,985	S	*	7/2016	Joo	.....	D32/25
D760,986	S	*	7/2016	Joo	.....	D32/25
D760,987	S	*	7/2016	Kang	.....	D32/25
D762,931	S	*	8/2016	Joo	.....	D32/25
D771,781	S	*	11/2016	Stauffer	.....	D23/308
D776,389	S	*	1/2017	Joo	.....	D32/67
D779,643	S	*	2/2017	Stauffer	.....	D23/284
D781,019	S	*	3/2017	Joo	.....	D32/25
D785,890	S	*	5/2017	Jang	.....	D32/67

\* cited by examiner

Fig. 1



**Fig. 2**



**Fig. 3**

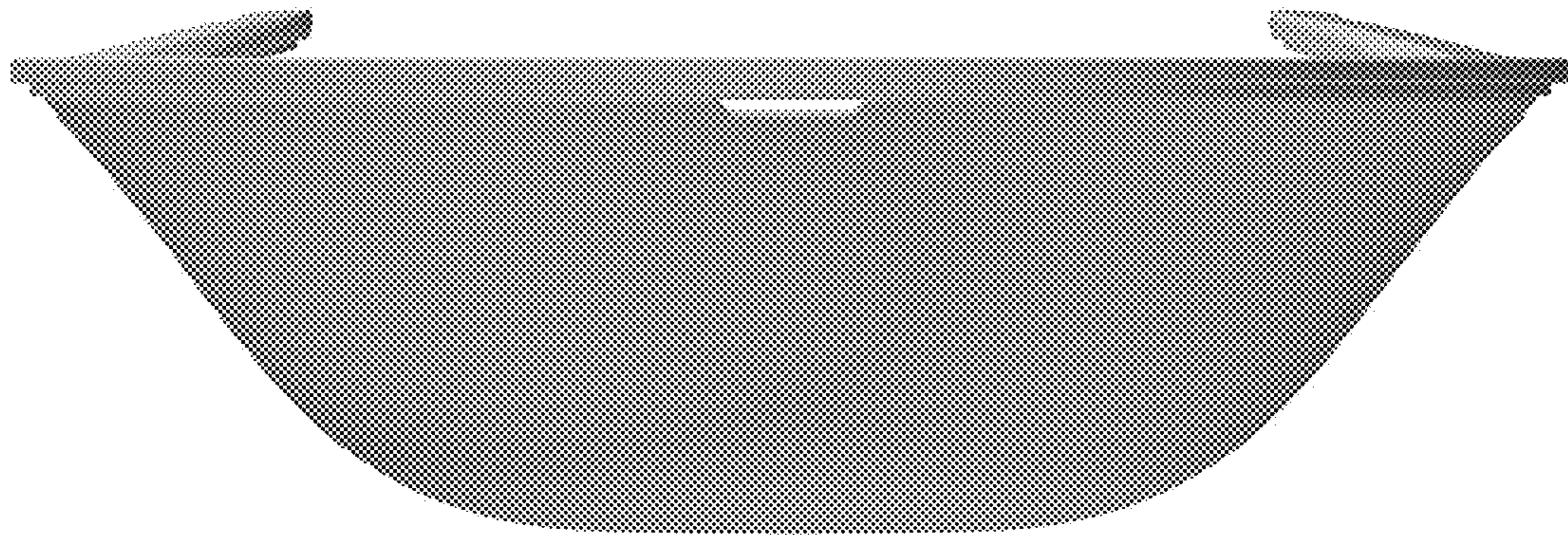
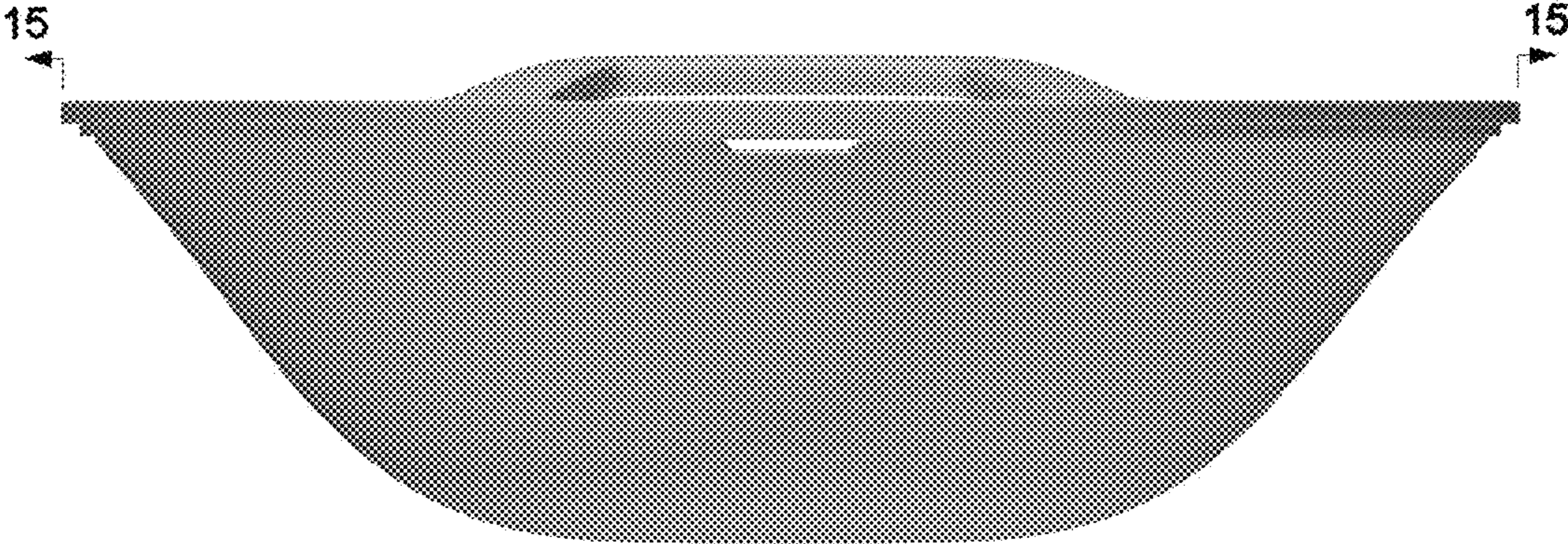


Fig. 4



**Fig. 5**

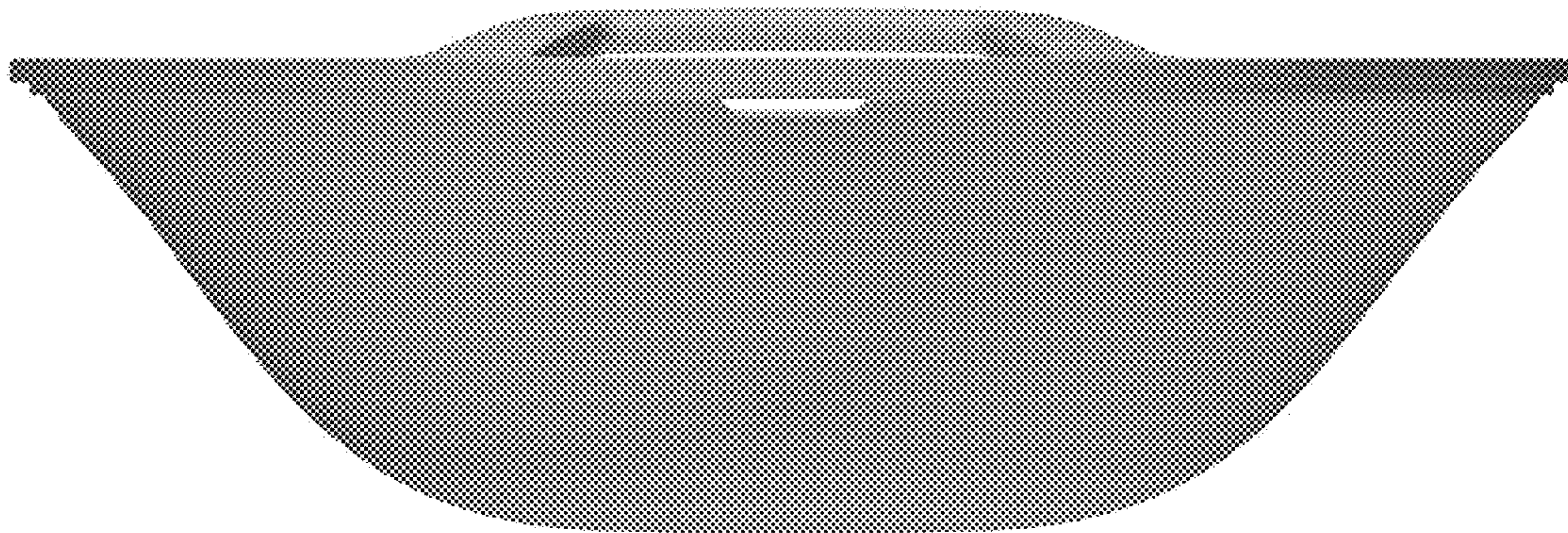
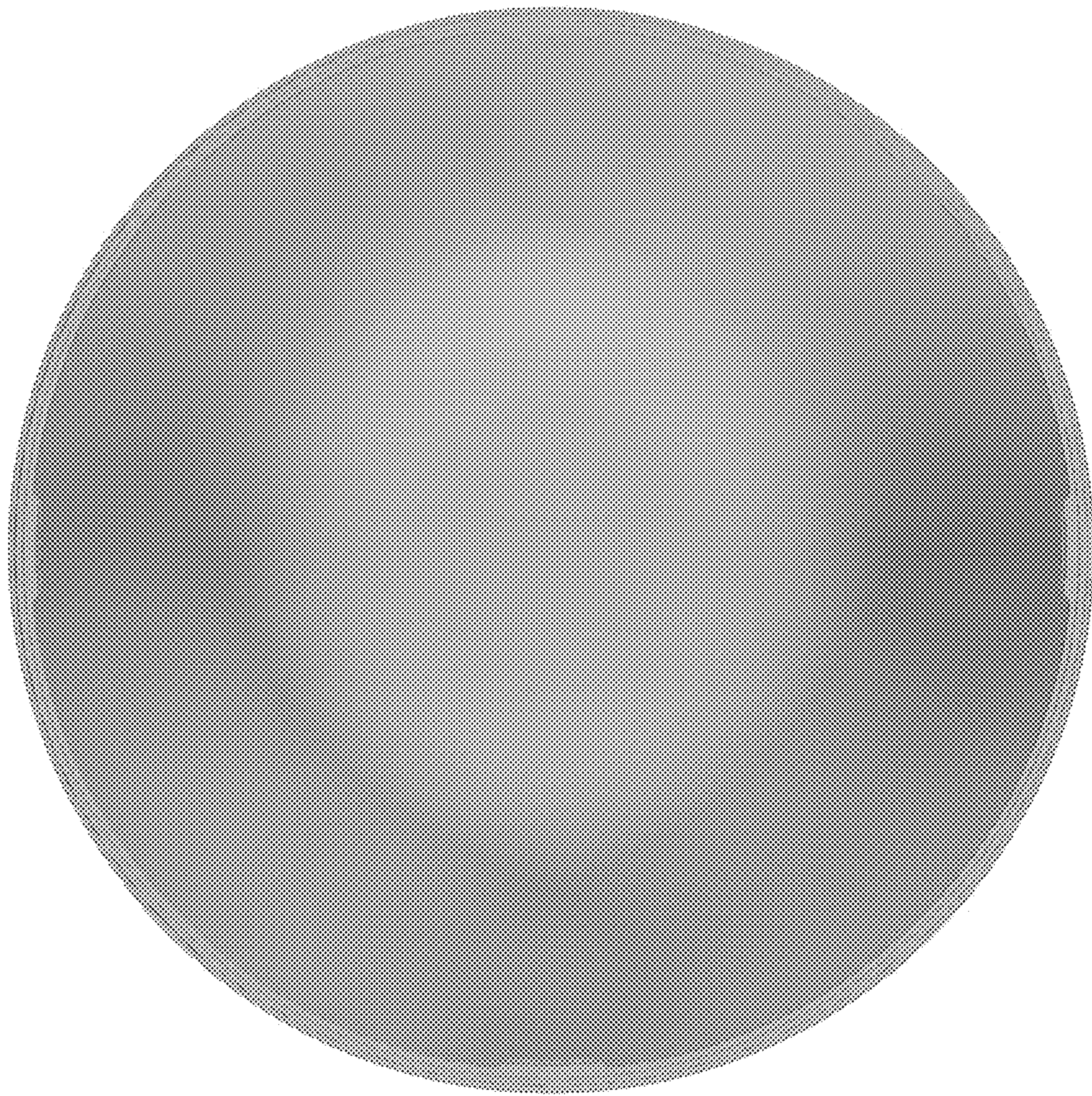


Fig. 6





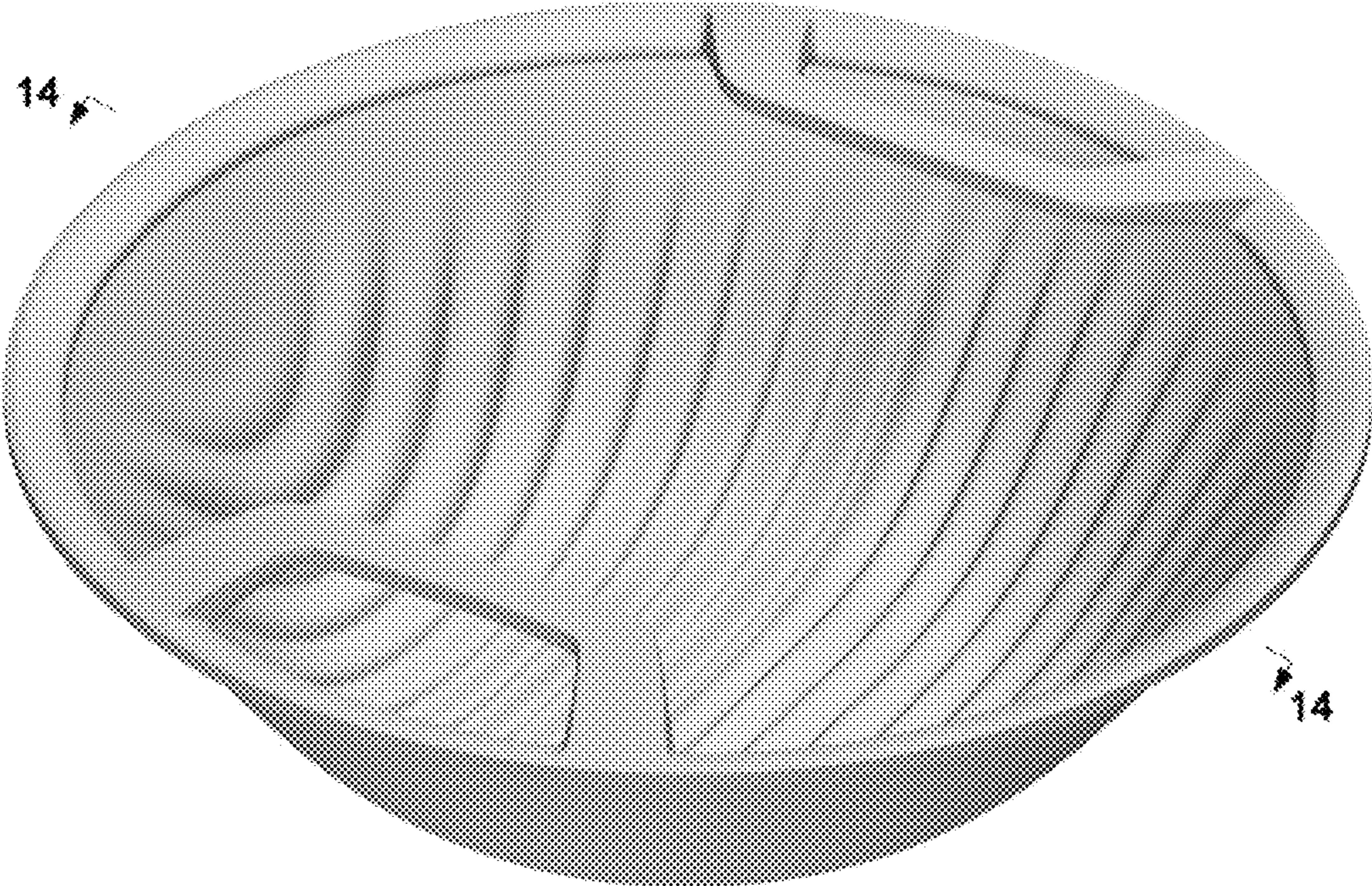
**Fig. 7**



**Fig. 8**



Fig. 9



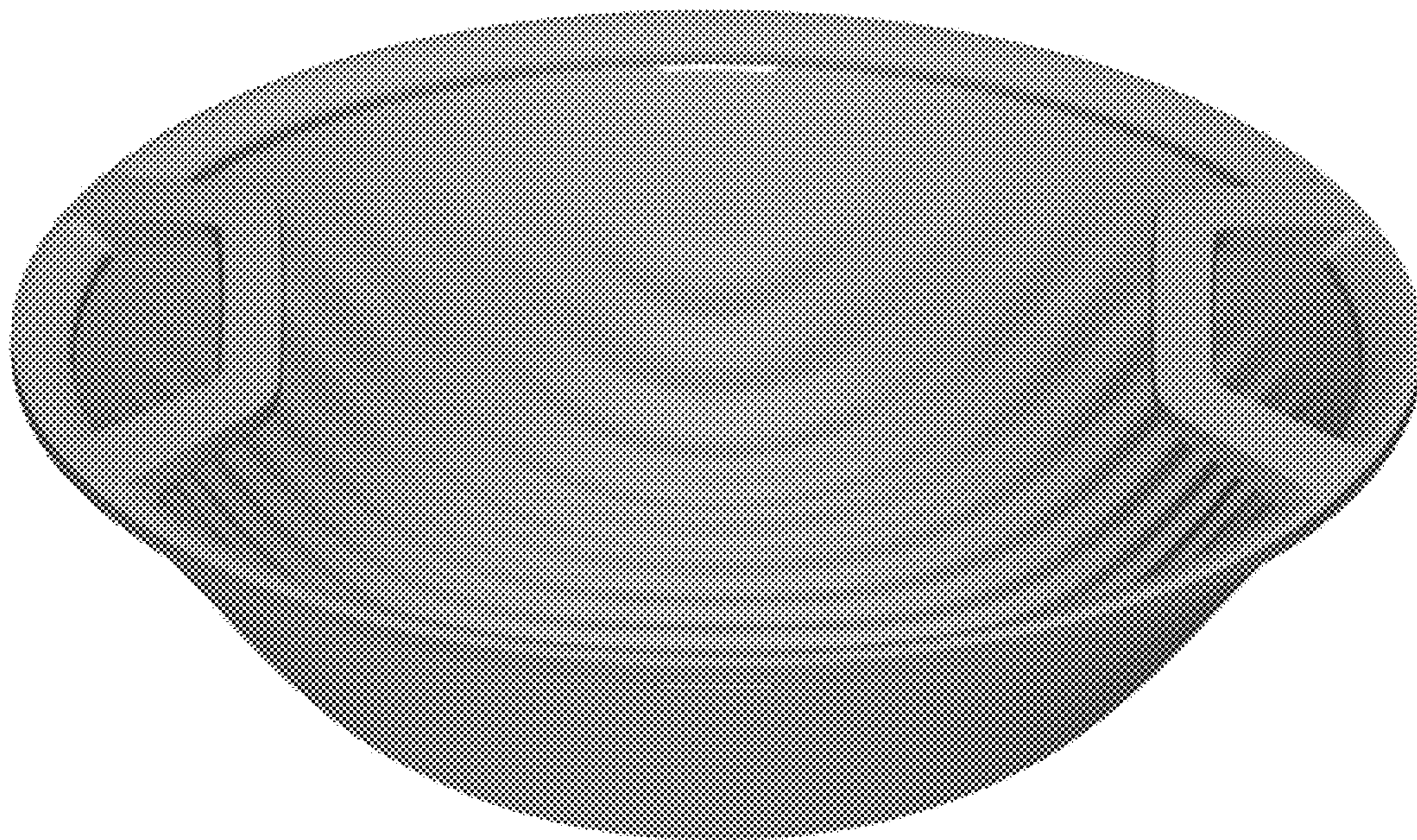
**Fig. 10**



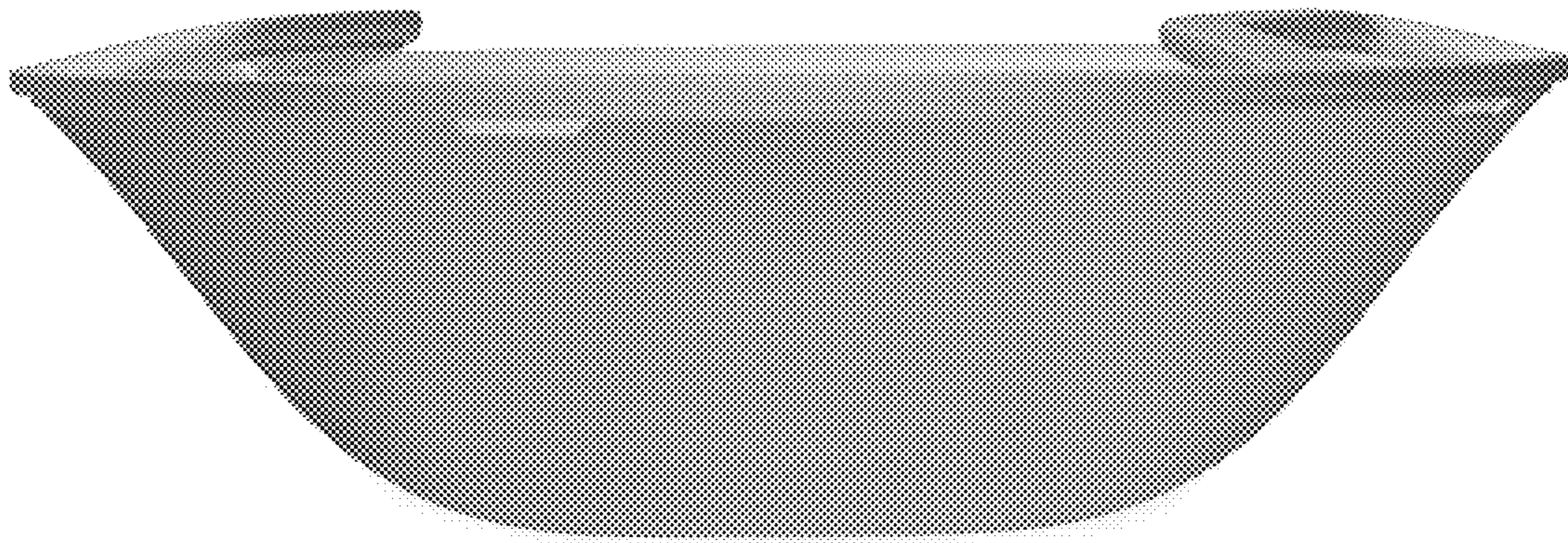
**Fig. 11**



**Fig. 12**



**Fig. 13**



**Fig. 14**

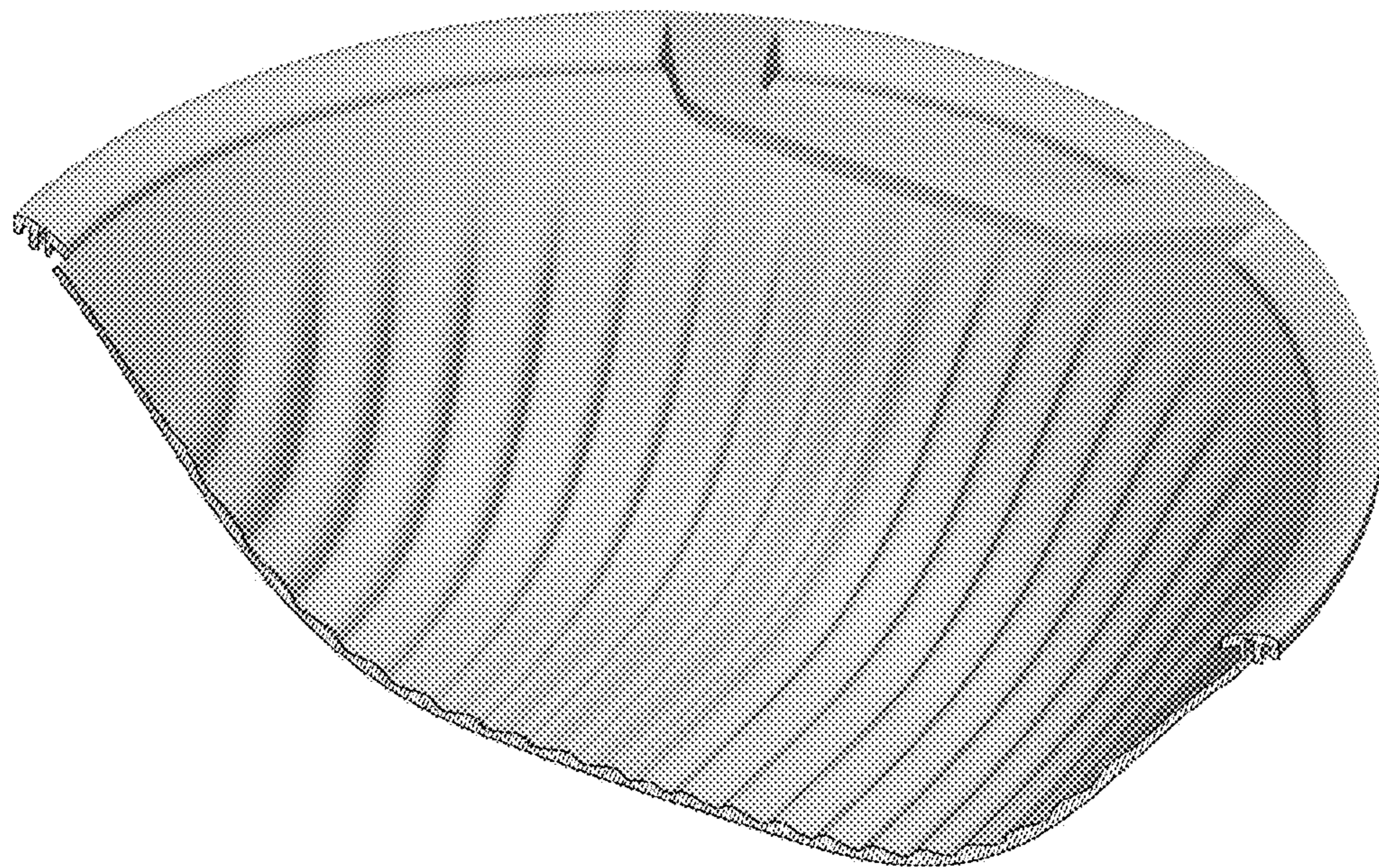




Fig. 15

