



US00D808101S

(12) **United States Design Patent**
Greenspon et al.

(10) **Patent No.:** **US D808,101 S**

(45) **Date of Patent:** **** Jan. 16, 2018**

(54) **DRYING RACK**

(71) Applicant: **Honey-Can-Do International, LLC,**
Berkeley, IL (US)

(72) Inventors: **Steven B. Greenspon,** Berkeley, IL
(US); **Pamela S. Mical,** Berkeley, IL
(US); **Slobodan S. Zivanovic,** Berkeley,
IL (US)

(73) Assignee: **Honey-Can-Do International, LLC,**
Berkeley, IL (US)

(**) Term: **15 Years**

(21) Appl. No.: **29/587,545**

(22) Filed: **Dec. 14, 2016**

(51) **LOC (11) Cl.** **07-05**

(52) **U.S. Cl.**

USPC **D32/58**

(58) **Field of Classification Search**

USPC D32/55, 276, 3, 58; D6/510, 525;
211/41.5, 41.4, 41.3, 41.8, 195, 200;
361/679.4; 312/311, 333, 334.4;
D7/354, 629, 368

CPC .. F26B 25/18; F26B 9/003; A61L 9/20; A47F
3/08; A47B 43/00; D06F 57/12

See application file for complete search history.

(56) **References Cited**

U.S. PATENT DOCUMENTS

D322,698 S * 12/1991 Cassel D32/58
D417,536 S * 12/1999 Sum D32/58
D545,021 S * 6/2007 Verbeek D32/58

D546,013 S * 7/2007 Pong D32/58
D564,165 S * 3/2008 King D32/58
7,597,205 B2 10/2009 Shepard-Vagedes et al.
D650,542 S * 12/2011 Kontorovich D32/58
D655,877 S * 3/2012 Greenway D32/58
8,286,810 B2 10/2012 Sabounjian
D720,907 S * 1/2015 Perez D32/58
D720,908 S * 1/2015 Ouyang D32/58
D737,532 S * 8/2015 Oh D32/58
D765,335 S * 8/2016 Cooper D32/58
D787,769 S * 5/2017 Evans D32/55

* cited by examiner

Primary Examiner — Austin Murphy

(74) *Attorney, Agent, or Firm* — Adam K. Sacharoff;
Much Shelist, P.C.

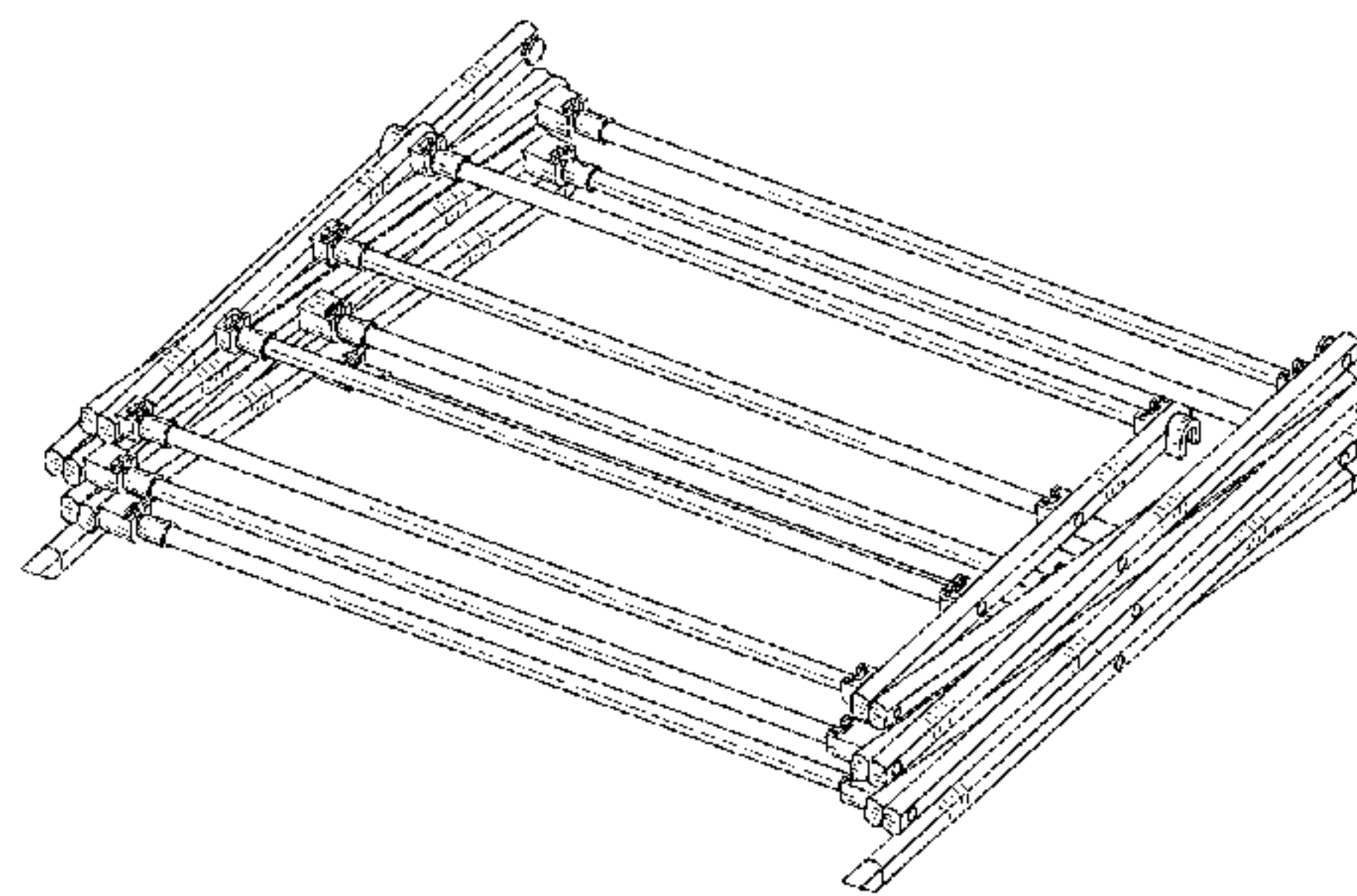
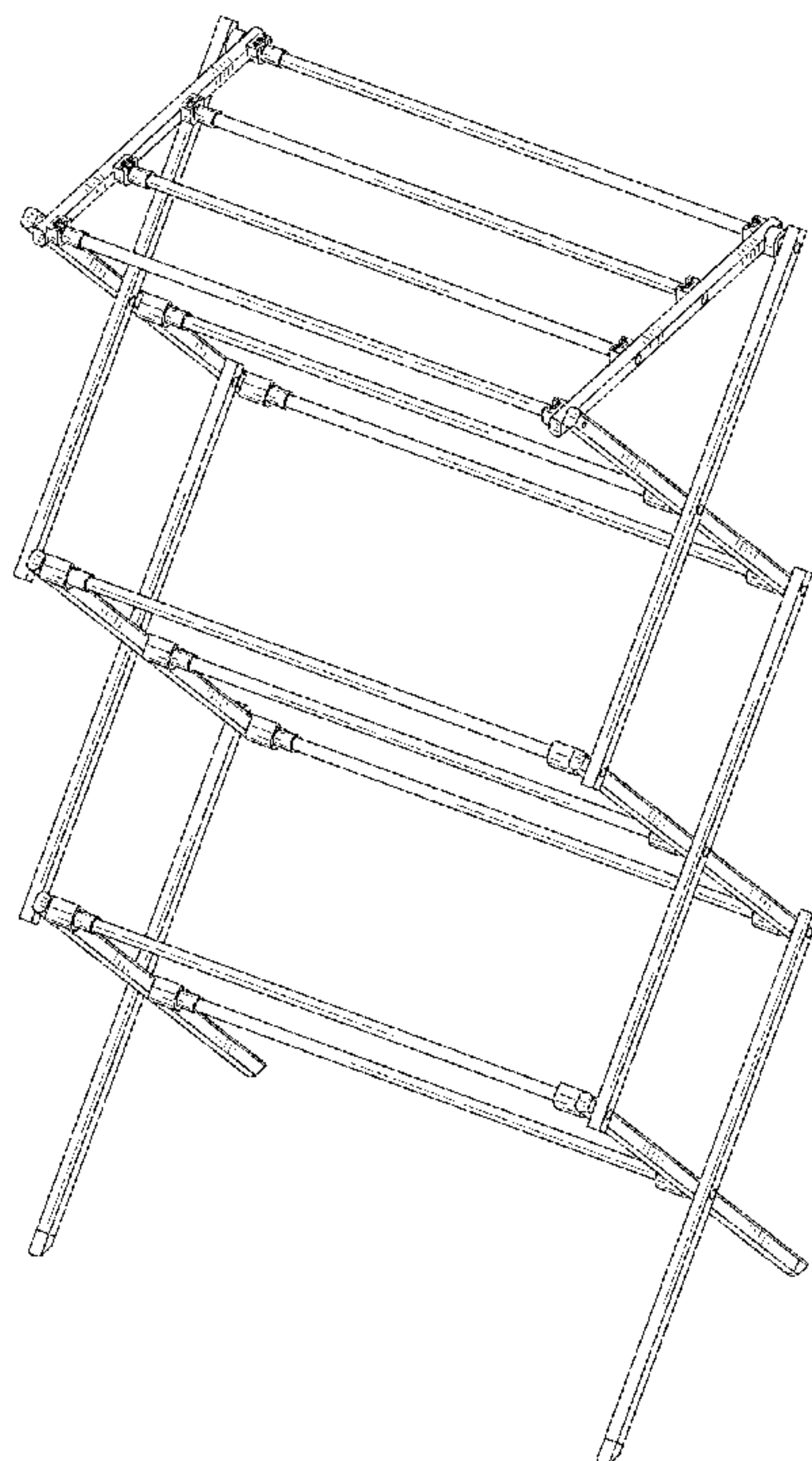
(57) **CLAIM**

The ornamental design for an drying rack, as shown and described.

DESCRIPTION

FIG. 1 is a front perspective view of an drying rack, showing my new design in an erect position;
FIG. 2 is a front perspective view thereof, illustrated in a collapsed position;
FIG. 3 is a front elevation view thereof;
FIG. 4 is a back elevation view thereof;
FIG. 5 is a left side view thereof;
FIG. 6 is a right side view thereof;
FIG. 7 is a top plan view thereof;
FIG. 8 is a bottom plan view thereof; and,
FIG. 9 is a front perspective view thereof, illustrated in an erect and expanded position.

1 Claim, 7 Drawing Sheets



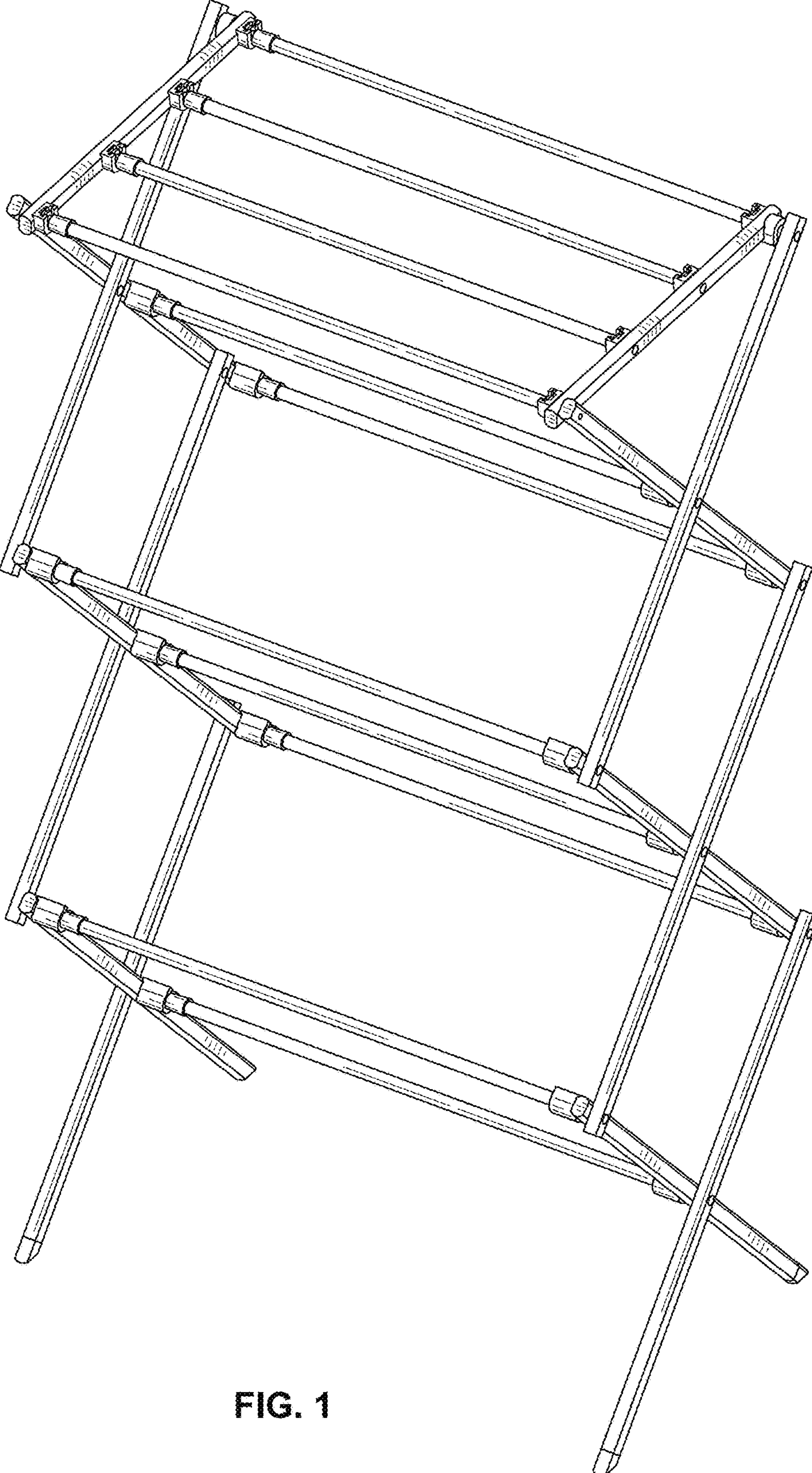
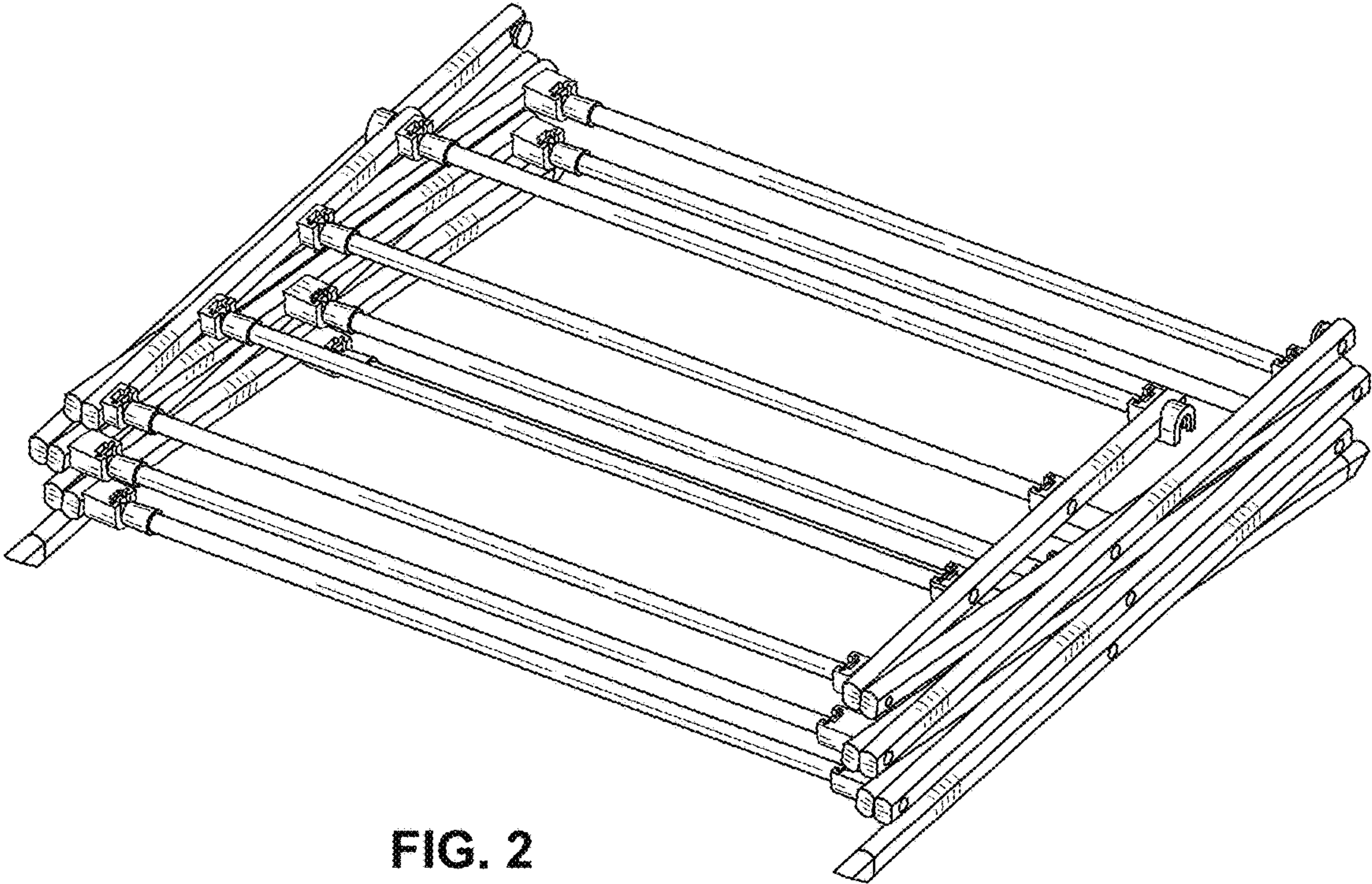


FIG. 1



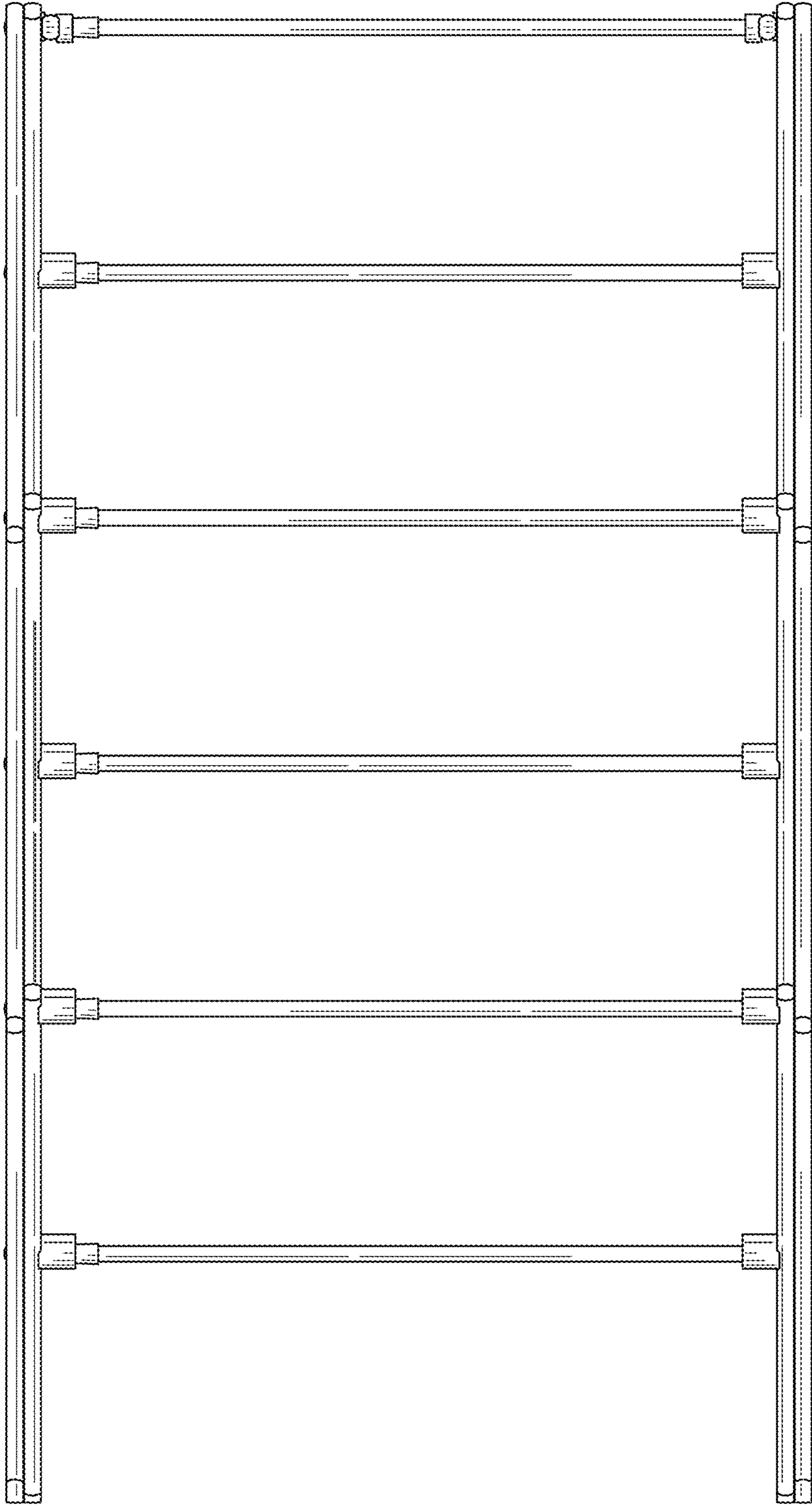


FIG. 3

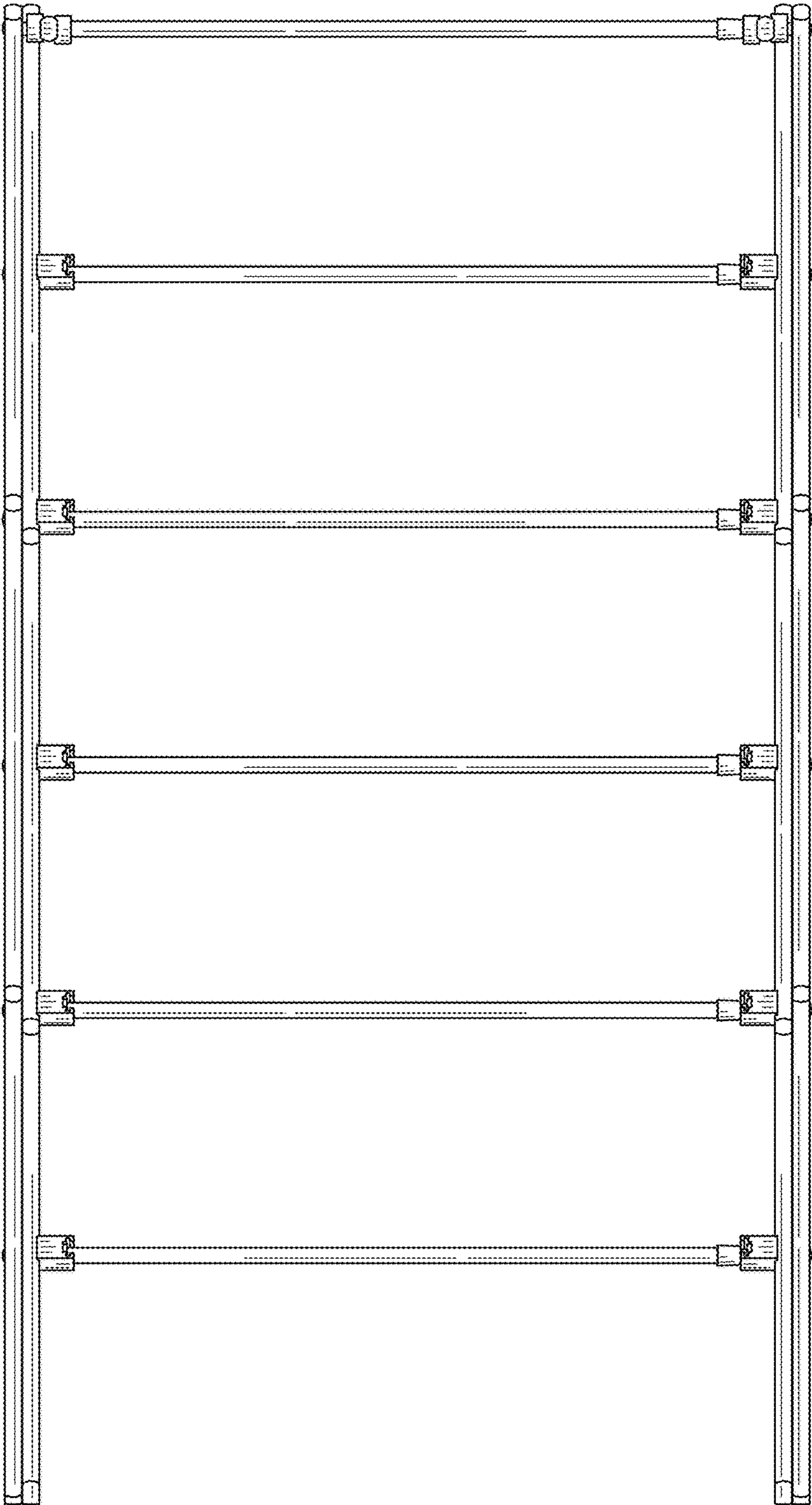


FIG. 4

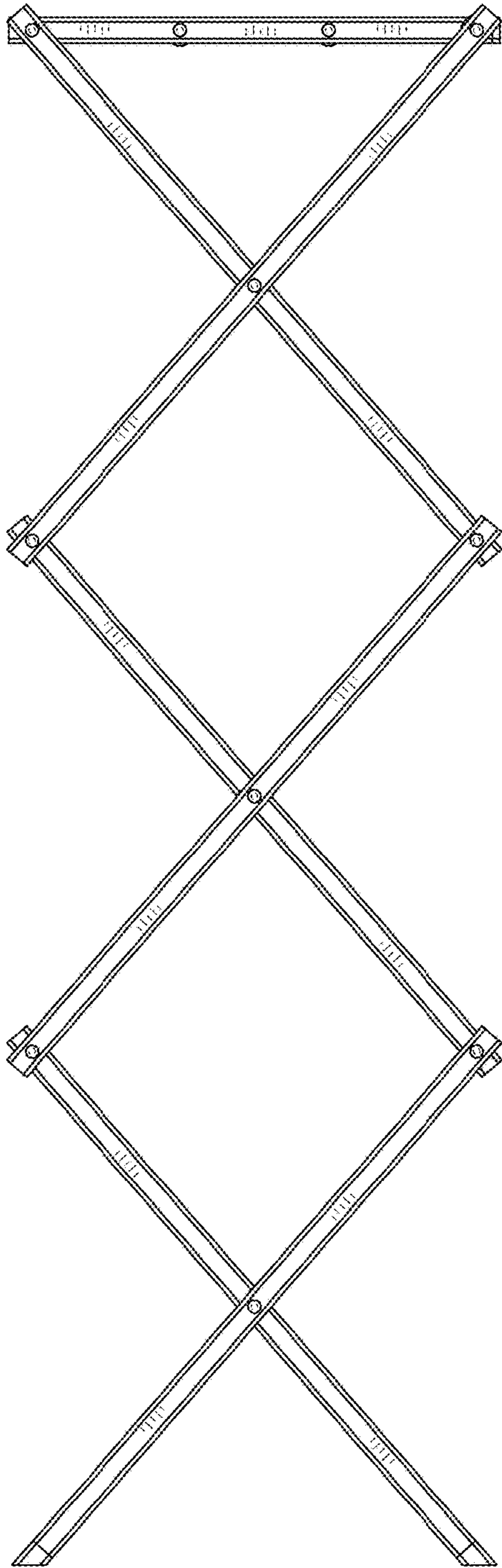


FIG. 5

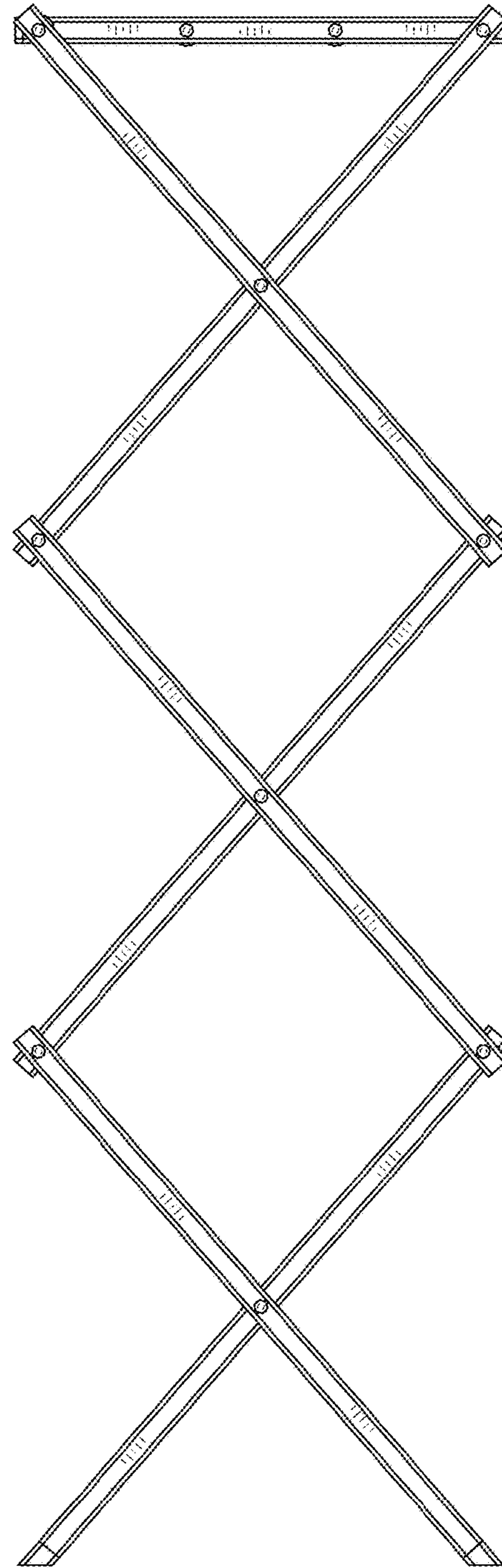


FIG. 6

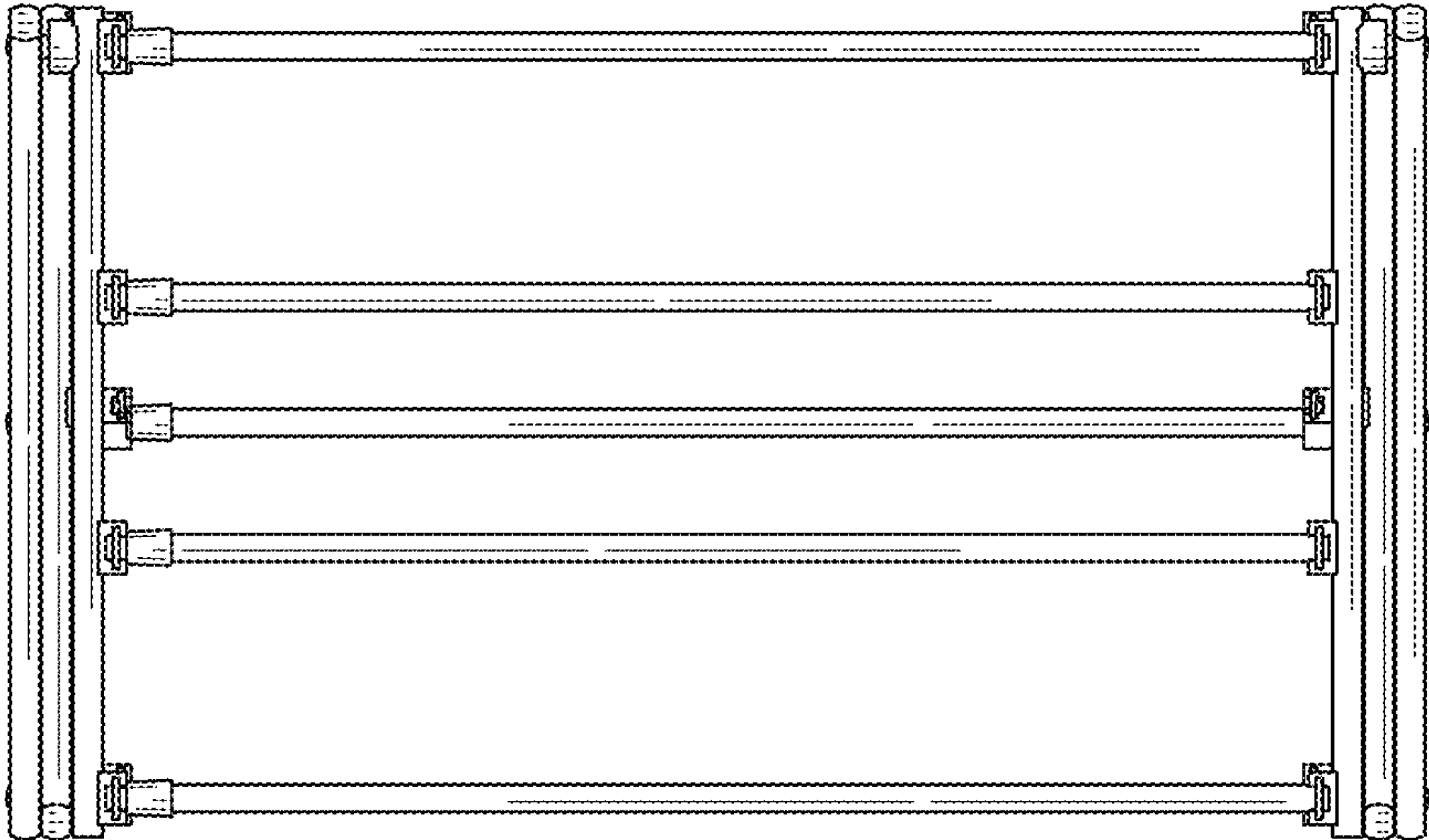


FIG. 7

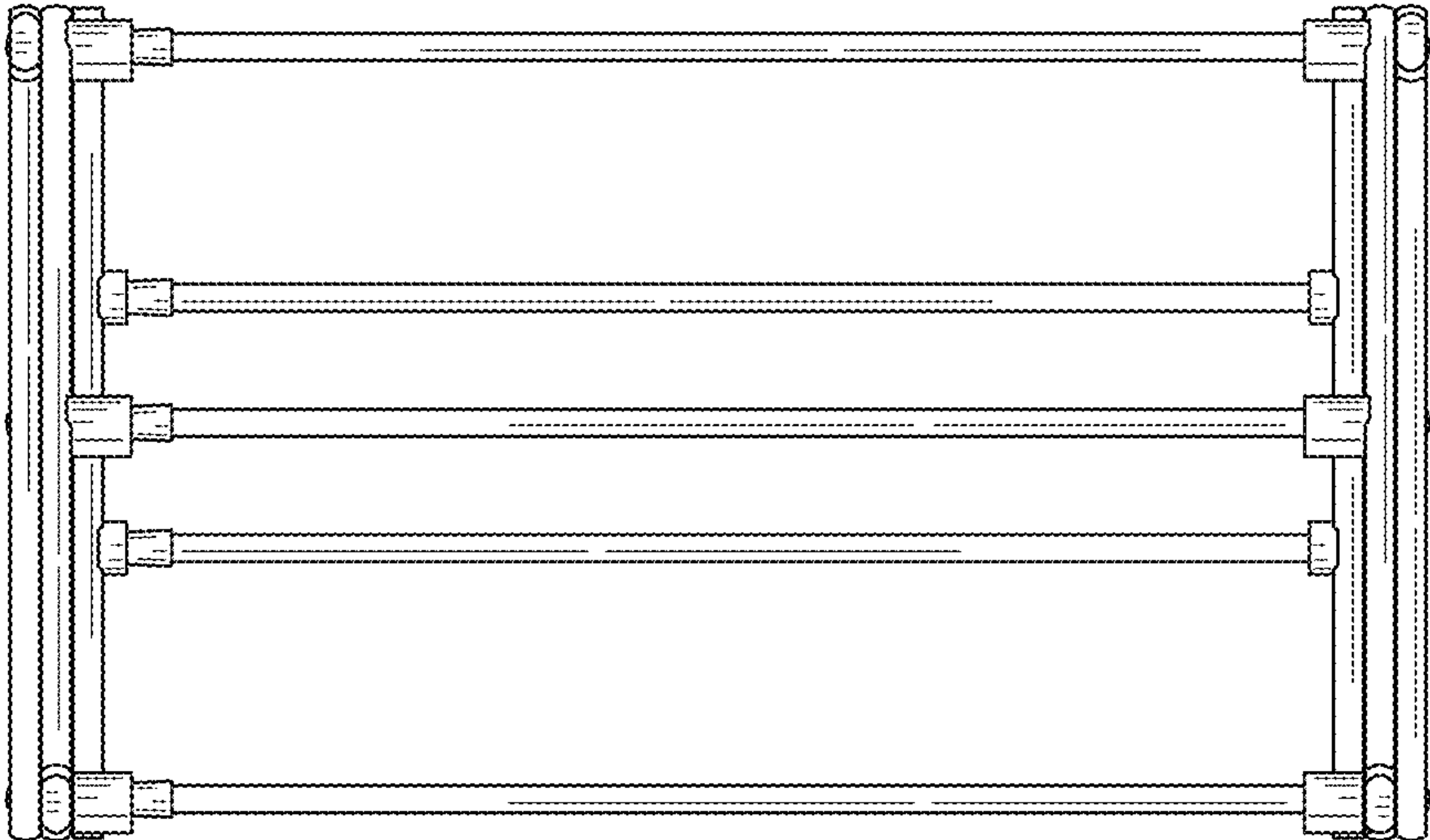


FIG. 8

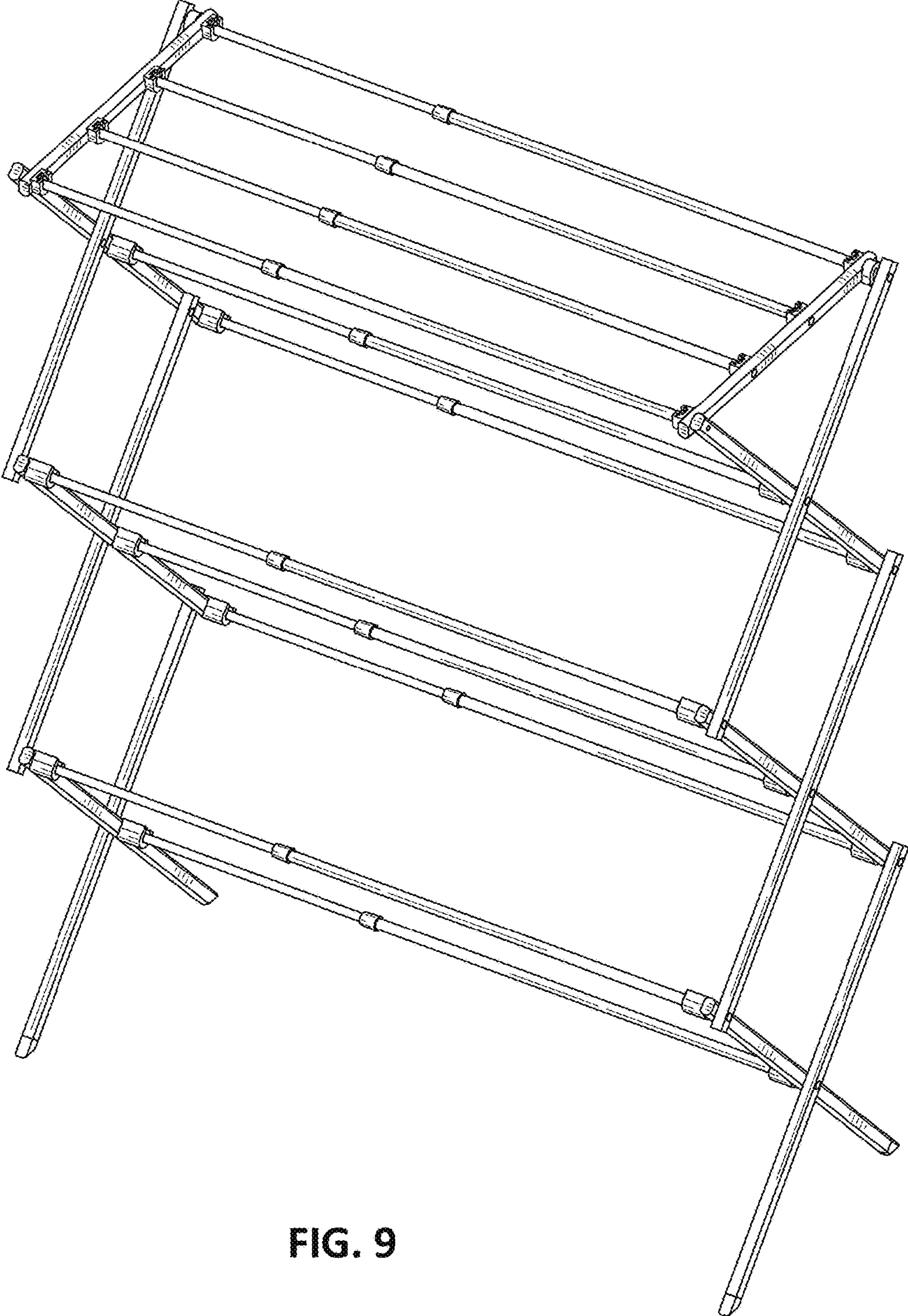


FIG. 9