



US00D808100S

(12) **United States Design Patent**  
**DuHamel**

(10) **Patent No.:** **US D808,100 S**

(45) **Date of Patent:** **\*\* Jan. 16, 2018**

(54) **SCRATCHING TOOL**

(71) Applicant: **Arthur DuHamel**, Lisbon Falls, ME  
(US)

(72) Inventor: **Arthur DuHamel**, Lisbon Falls, ME  
(US)

(\*\*) Term: **15 Years**

(21) Appl. No.: **29/571,837**

(22) Filed: **Jul. 22, 2016**

(51) **LOC (11) Cl.** ..... **08-05**

(52) **U.S. Cl.**  
USPC ..... **D32/46; D8/14**

(58) **Field of Classification Search**  
USPC ..... D8/14, 105; D22/117, 118; D28/91.2;  
D32/40, 401, 43, 46; D24/133; D3/207,  
D3/210  
CPC .... A63F 3/06; A63F 3/068; A63F 9/00; A63F  
3/0625

See application file for complete search history.

(56) **References Cited**

**U.S. PATENT DOCUMENTS**

D312,341 S *	11/1990	Demirjian	.....	D3/210
D331,301 S *	11/1992	Say, Jr.	.....	D32/46
D353,239 S *	12/1994	Briscoe	.....	D3/210
D358,011 S *	5/1995	Decarli	.....	D32/46
D370,099 S *	5/1996	Mancini	.....	D32/46
D383,884 S *	9/1997	O'Shei	.....	D3/208
D389,624 S *	1/1998	Drimmie	.....	D3/210

D389,965 S *	1/1998	Saladino	.....	D19/131
D400,326 S *	10/1998	Fisher	.....	D26/38
D401,630 S *	11/1998	Pilon	.....	D21/369
D417,760 S *	12/1999	Quackenbush	.....	D3/210
D459,846 S *	7/2002	Mottern	.....	D32/43
D546,451 S *	7/2007	Givens, Jr.	.....	D24/133
D575,017 S *	8/2008	Tessier	.....	D32/49
D645,626 S *	9/2011	Lariviere	.....	D32/46
8,359,700 B1 *	1/2013	Zeidan	.....	A63F 3/068 15/236.01
D685,964 S *	7/2013	Soto	.....	D32/40
D760,981 S *	7/2016	Feinberg	.....	D32/46
2011/0146019 A1 *	6/2011	Lychwick	.....	A63F 3/0625 15/236.01

\* cited by examiner

*Primary Examiner* — Phillip S Hyder

(74) *Attorney, Agent, or Firm* — Jeffrey Joyce

(57) **CLAIM**

The ornamental design for a scratching tool, as shown and described.

**DESCRIPTION**

FIG. 1 is a perspective view of the scratching tool according to the invention.

FIG. 2 is a perspective view of the scratching tool.

FIG. 3 is a right side view of the scratching tool.

FIG. 4 is a front view of the scratching tool.

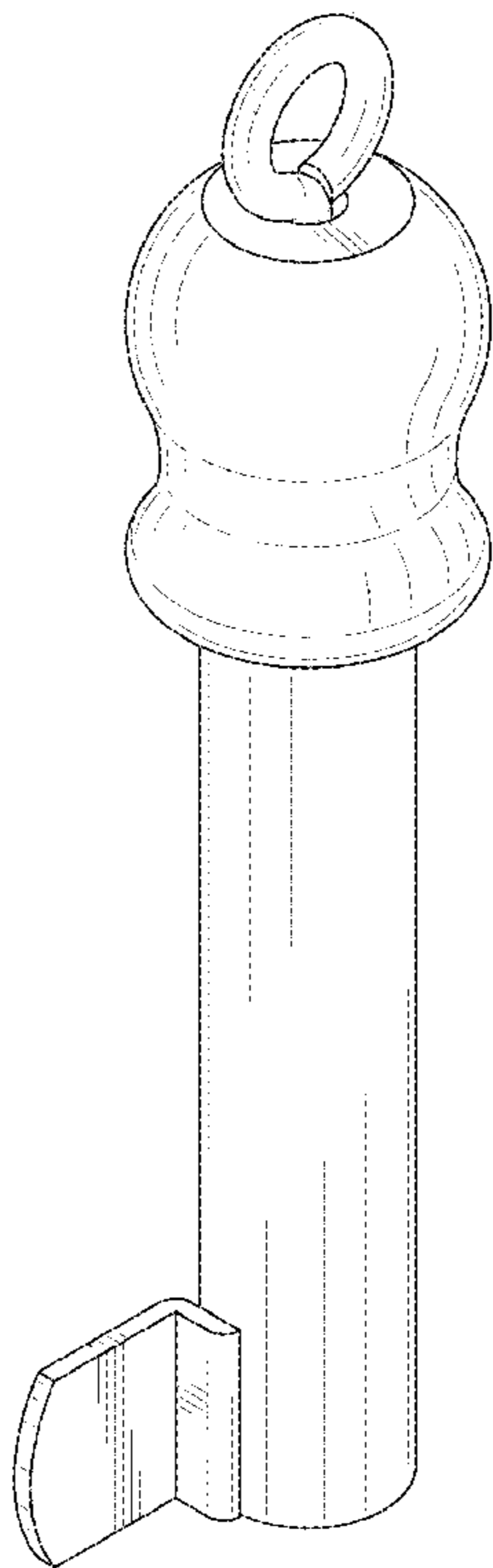
FIG. 5 is a left side view of the scratching tool.

FIG. 6 is a rear view of the scratching tool.

FIG. 7 is a top view of the scratching tool; and,

FIG. 8 is a bottom view of the scratching tool.

**1 Claim, 5 Drawing Sheets**



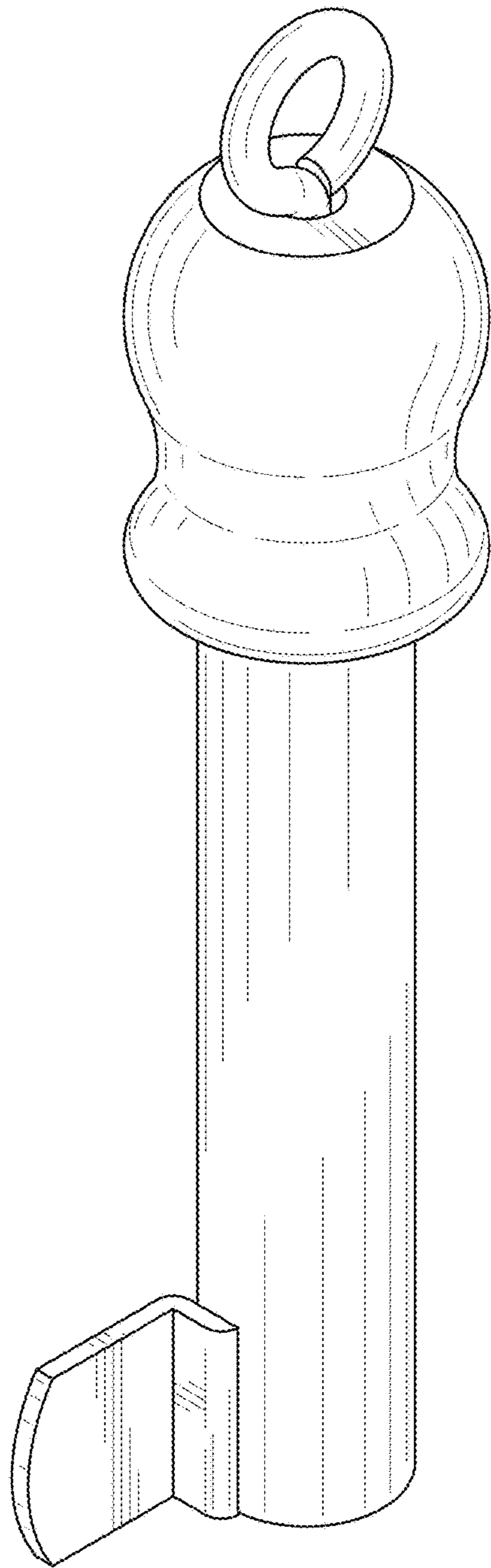


FIG. 1

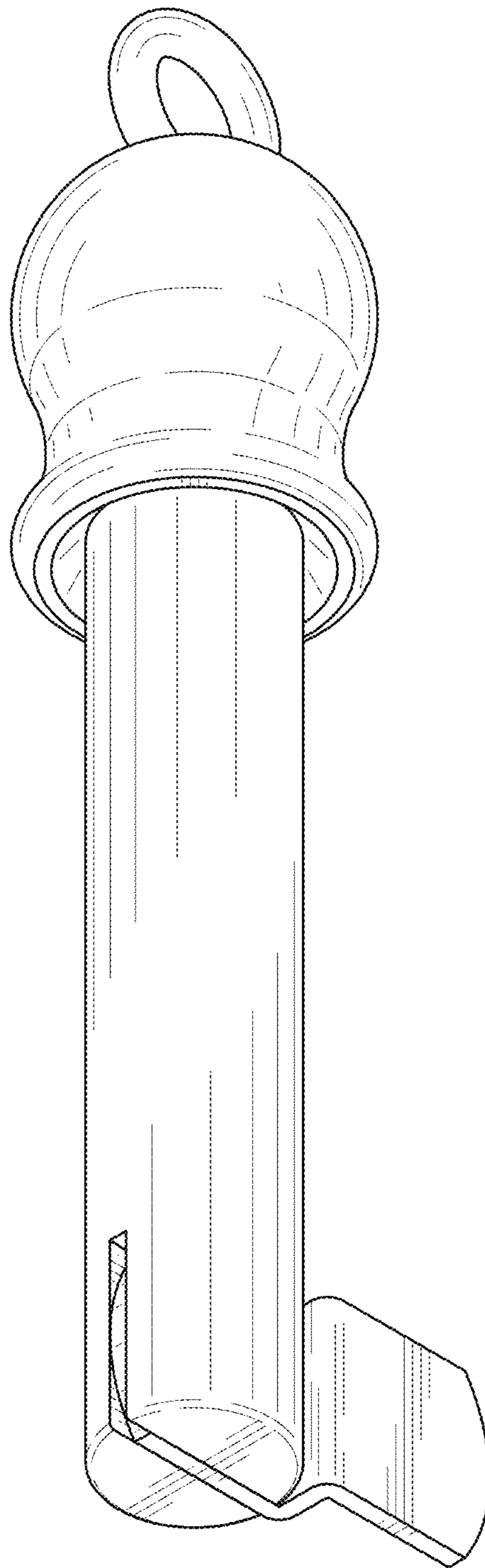


FIG. 2

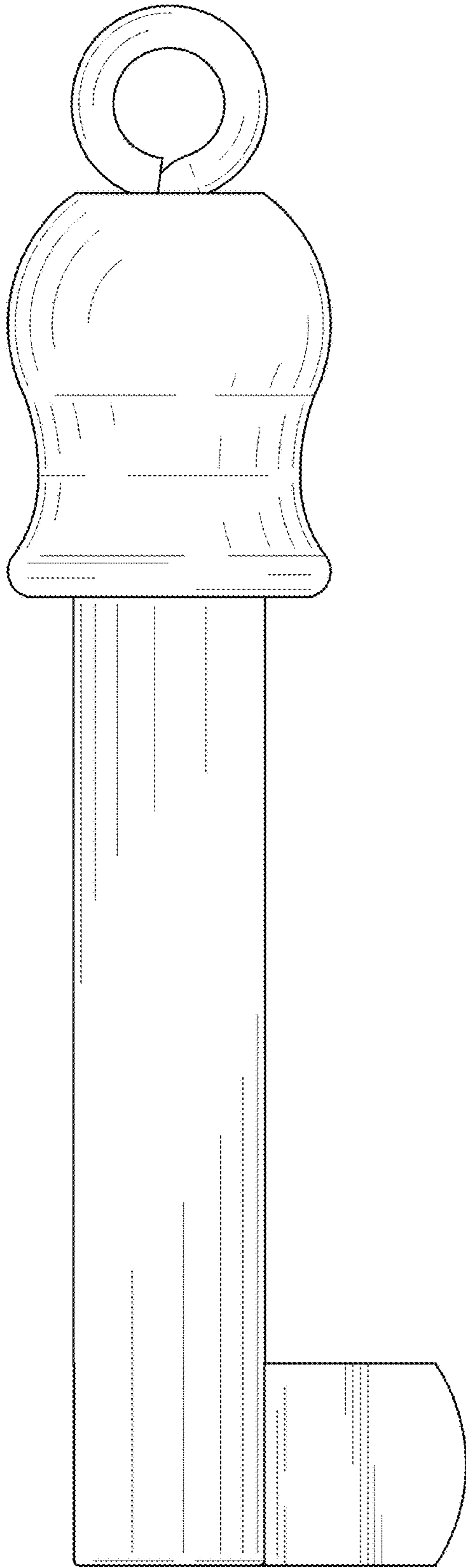


FIG. 3

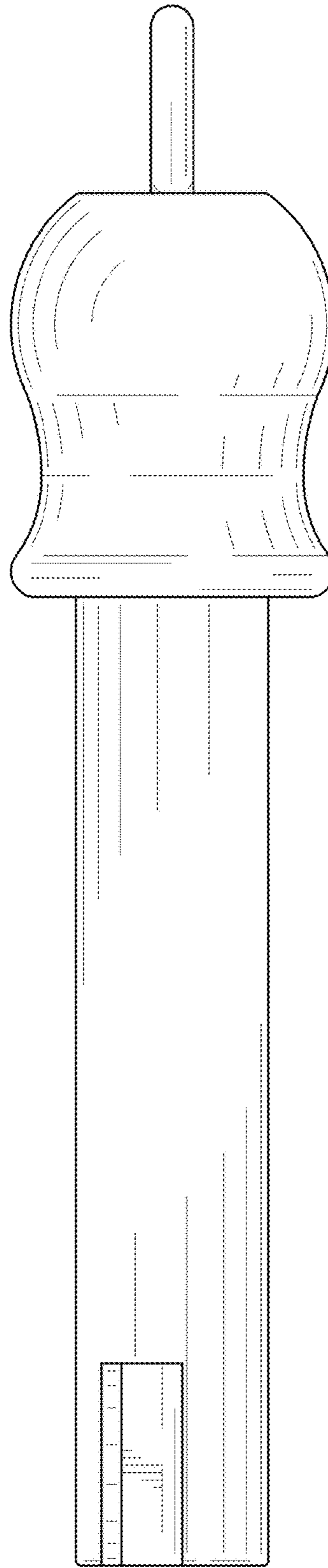


FIG. 4

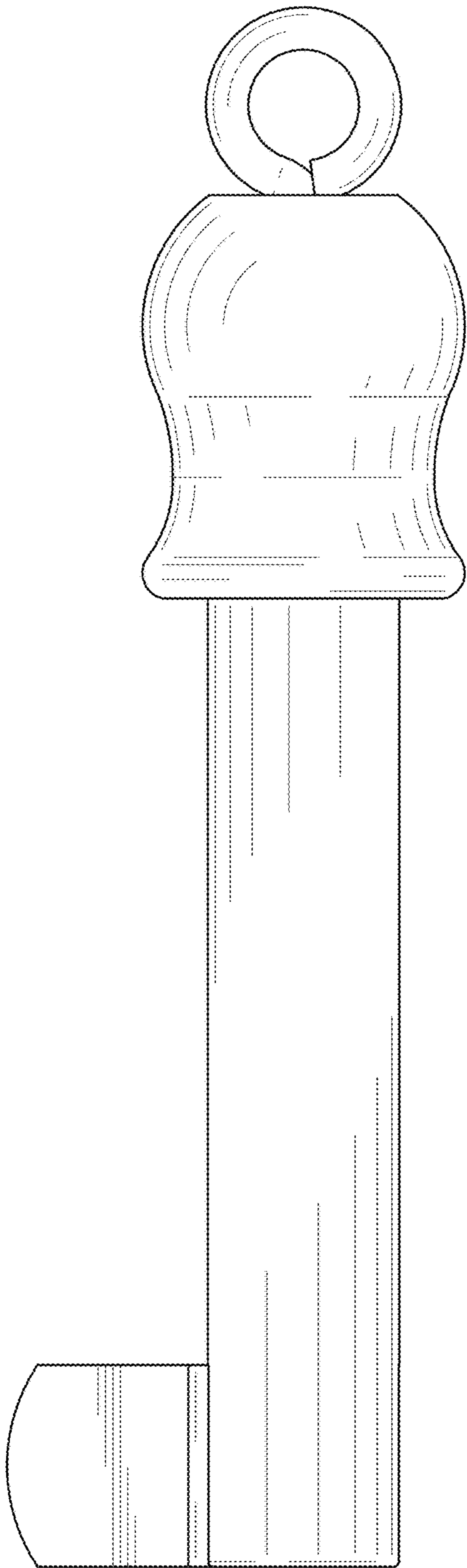


FIG. 5

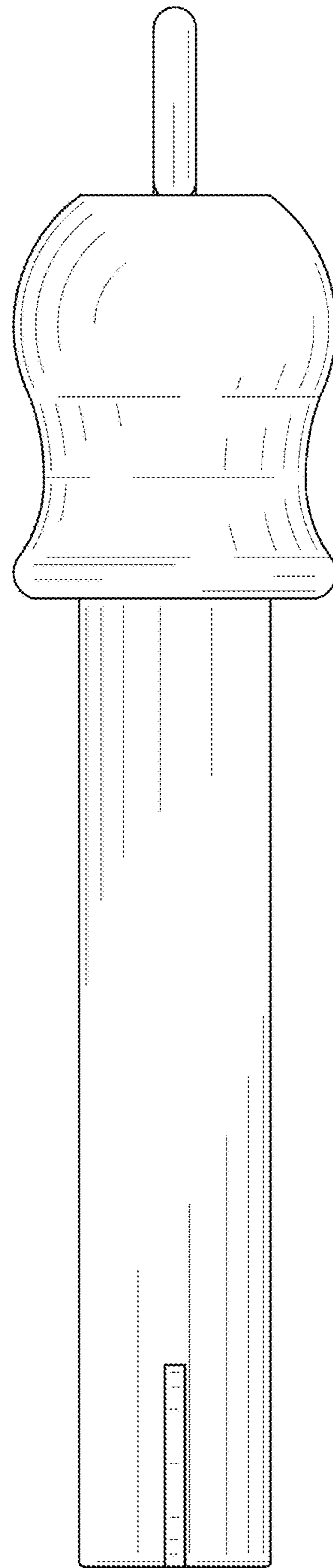


FIG. 6

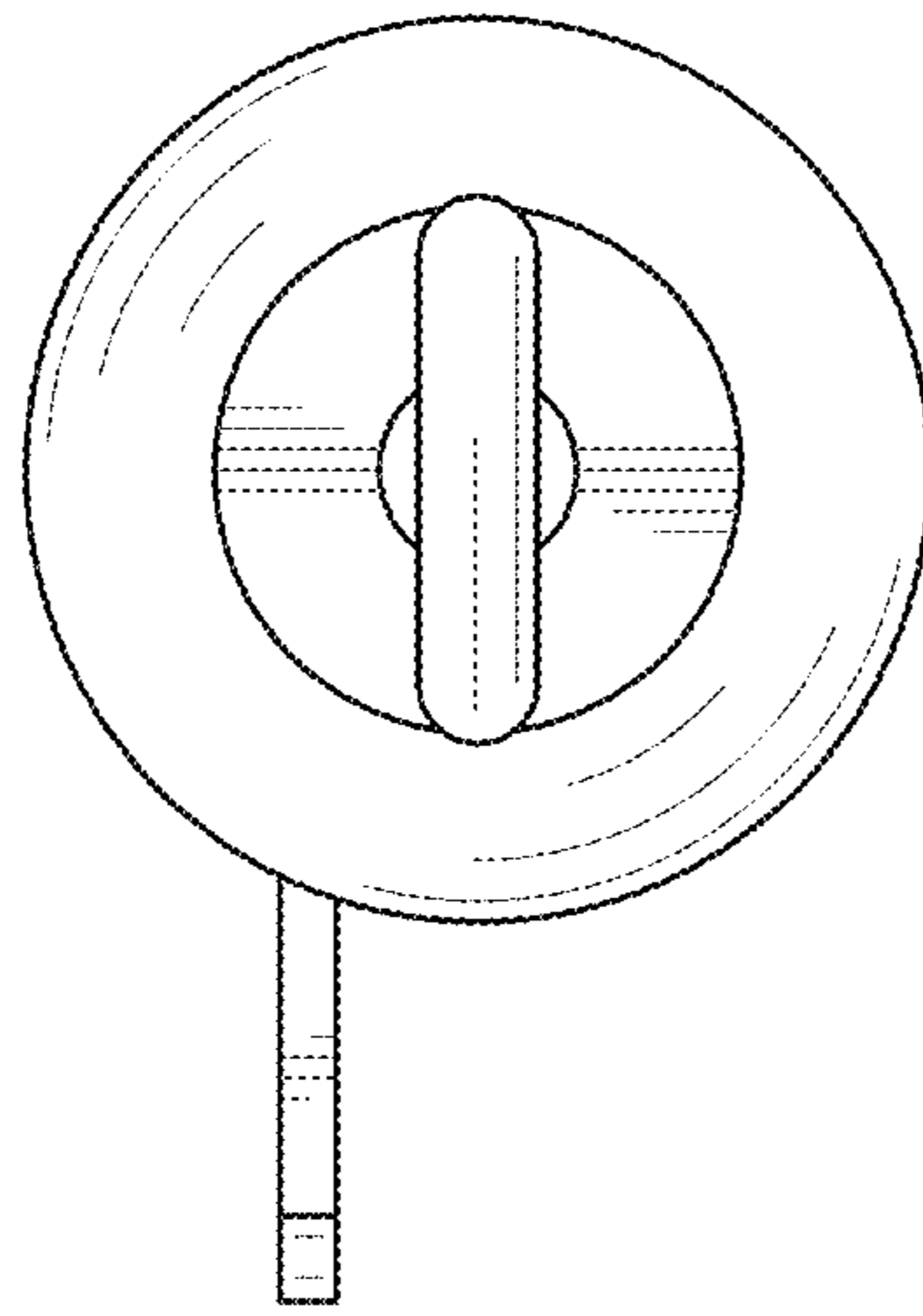


FIG. 7

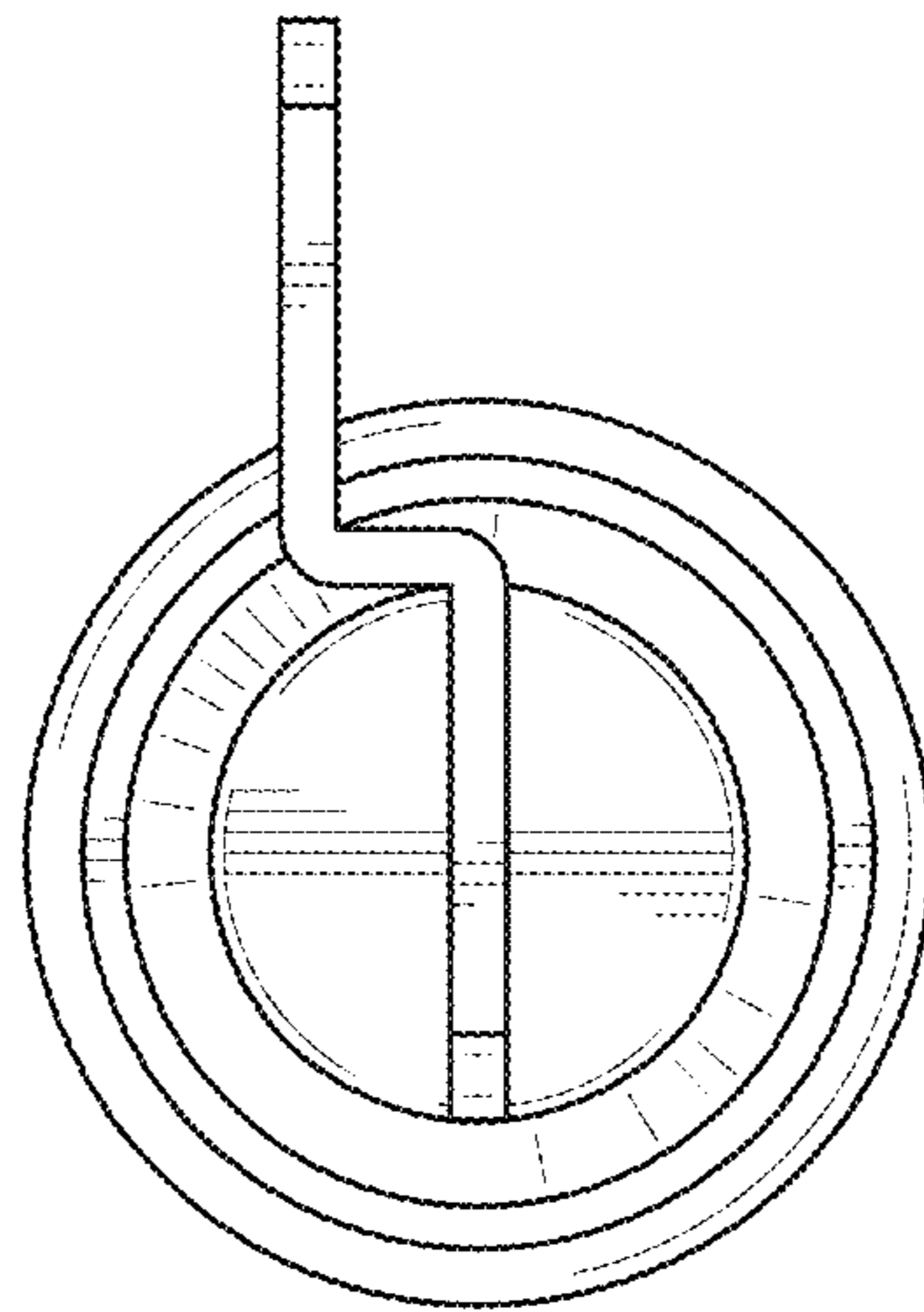


FIG. 8