



US00D808099S

(12) **United States Design Patent**
Yoo et al.

(10) **Patent No.:** **US D808,099 S**
(45) **Date of Patent:** **** Jan. 16, 2018**

(54) **ROBOT VACUUM CLEANER**

(71) Applicant: **LG ELECTRONICS INC.**, Seoul (KR)

(72) Inventors: **Joonggil Yoo**, Seoul (KR); **Eugene Suh**, Seoul (KR)

(73) Assignee: **LG Electronics Inc.**, Seoul (KR)

(**) Term: **15 Years**

(21) Appl. No.: **35/501,240**

(22) Filed: **Jan. 18, 2016**

(80) **Hague Agreement Data**

Int. Filing Date: **Jan. 18, 2016**

Int. Reg. No.: **DM/090001**

Int. Reg. Date: **Jan. 18, 2016**

Int. Reg. Pub. Date: **Jul. 22, 2016**

(30) **Foreign Application Priority Data**

Aug. 18, 2015 (KR) 30-2015-0041565

(51) **LOC (11) Cl.** **15-05**

(52) **U.S. Cl.**
USPC **D32/23**

(58) **Field of Classification Search**

USPC D23/21, 22, 23, 25, 32, 33, 34; D32/21,
D32/22, 23, 25, 32, 33, 34

CPC . A47L 9/16; A47L 9/20; A47L 9/1683; A47L
9/1666; A47L 9/1608; A47L 9/2857;
A47L 9/2842; A47L 9/2836; A47L
9/2847; A47L 9/2852; A47L 5/28; A47L
7/0038; G06N 3/008; E04H 4/1654

See application file for complete search history.

(56) **References Cited**

U.S. PATENT DOCUMENTS

D556,398 S * 11/2007 Shin D32/21
D556,399 S * 11/2007 Shin D32/21
D768,343 S * 10/2016 Vanderstegen-Drake D32/21
D780,389 S * 2/2017 Mitchell D32/21
D785,263 S * 4/2017 Kim D32/31

* cited by examiner

Primary Examiner — Michael A Pratt

(74) *Attorney, Agent, or Firm* — Birch, Stewart, Kolasch & Birch, LLP

(57) **CLAIM**

The ornamental design for a robot vacuum cleaner, as shown and described.

DESCRIPTION

1. Robot vacuum cleaner

1.1 is a perspective view of a robot vacuum cleaner showing our new design having its handle inserted;

1.2 is a front elevation view thereof;

1.3 is a rear elevation view thereof;

1.4 is a left-side elevation view thereof;

1.5 is a right-side elevation view thereof;

1.6 is a top plan view thereof;

1.7 is a bottom plan view thereof;

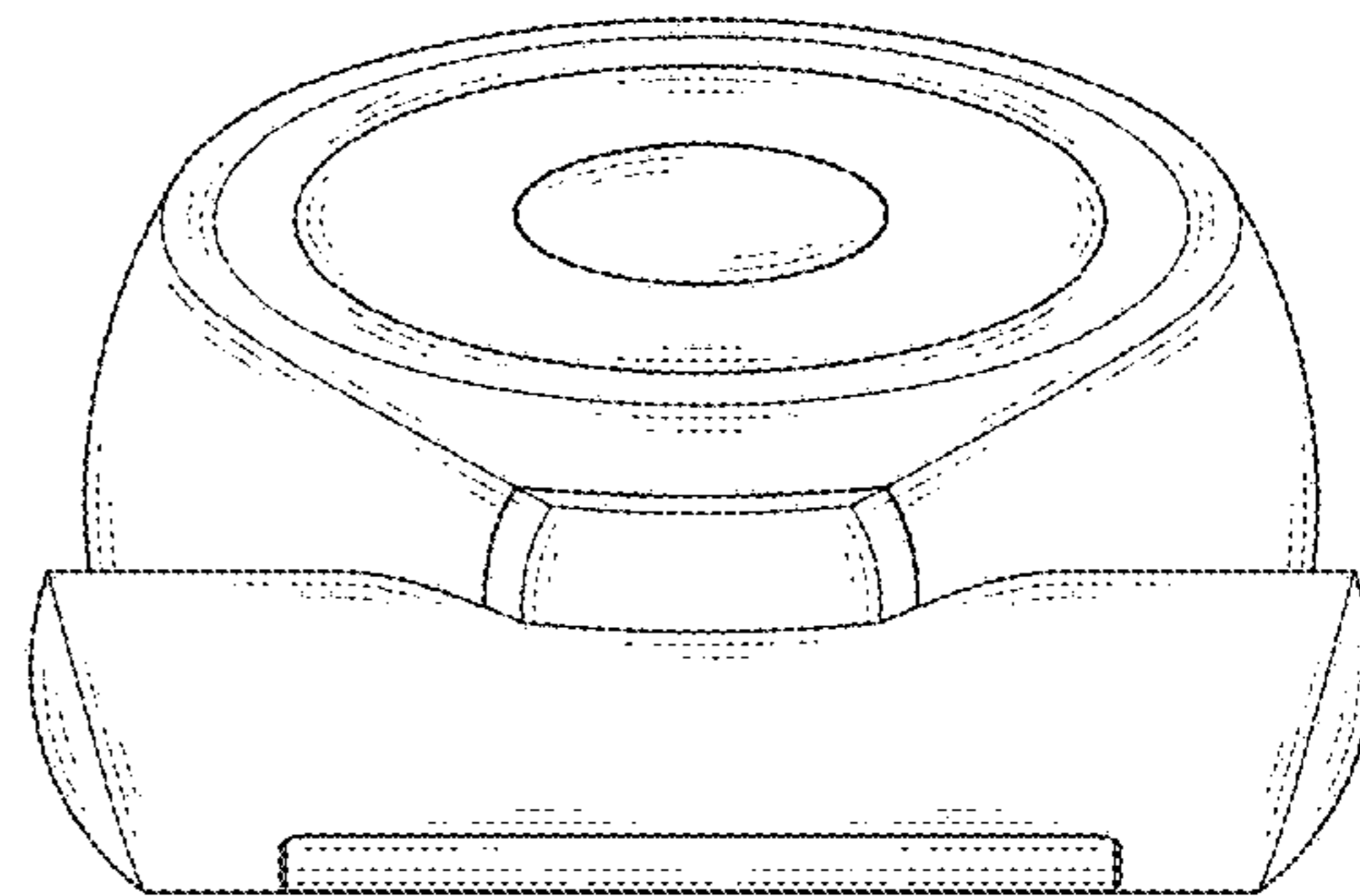
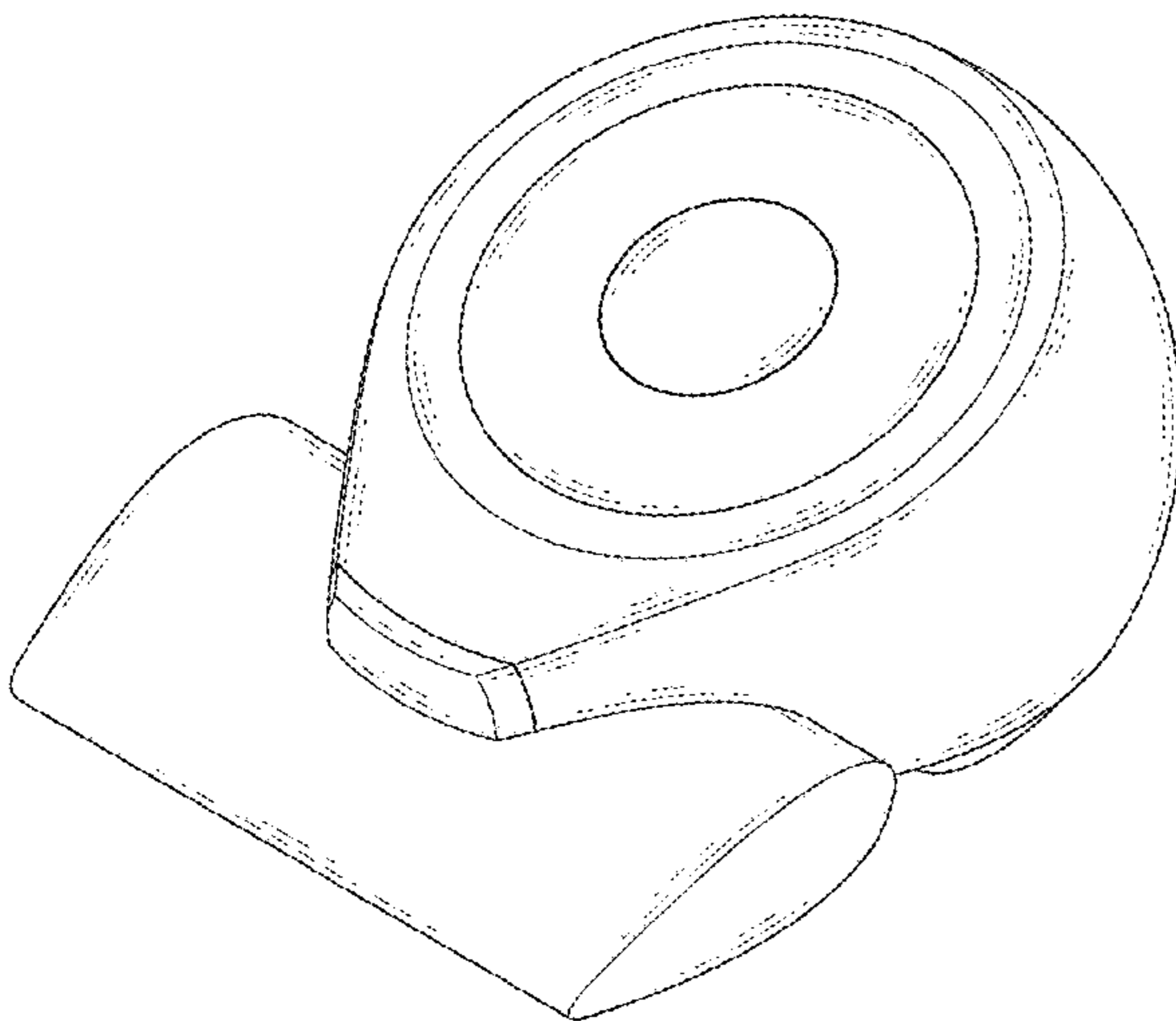
1.8 is a perspective view thereof having its handle protruded;

1.9 is a front elevation view thereof;

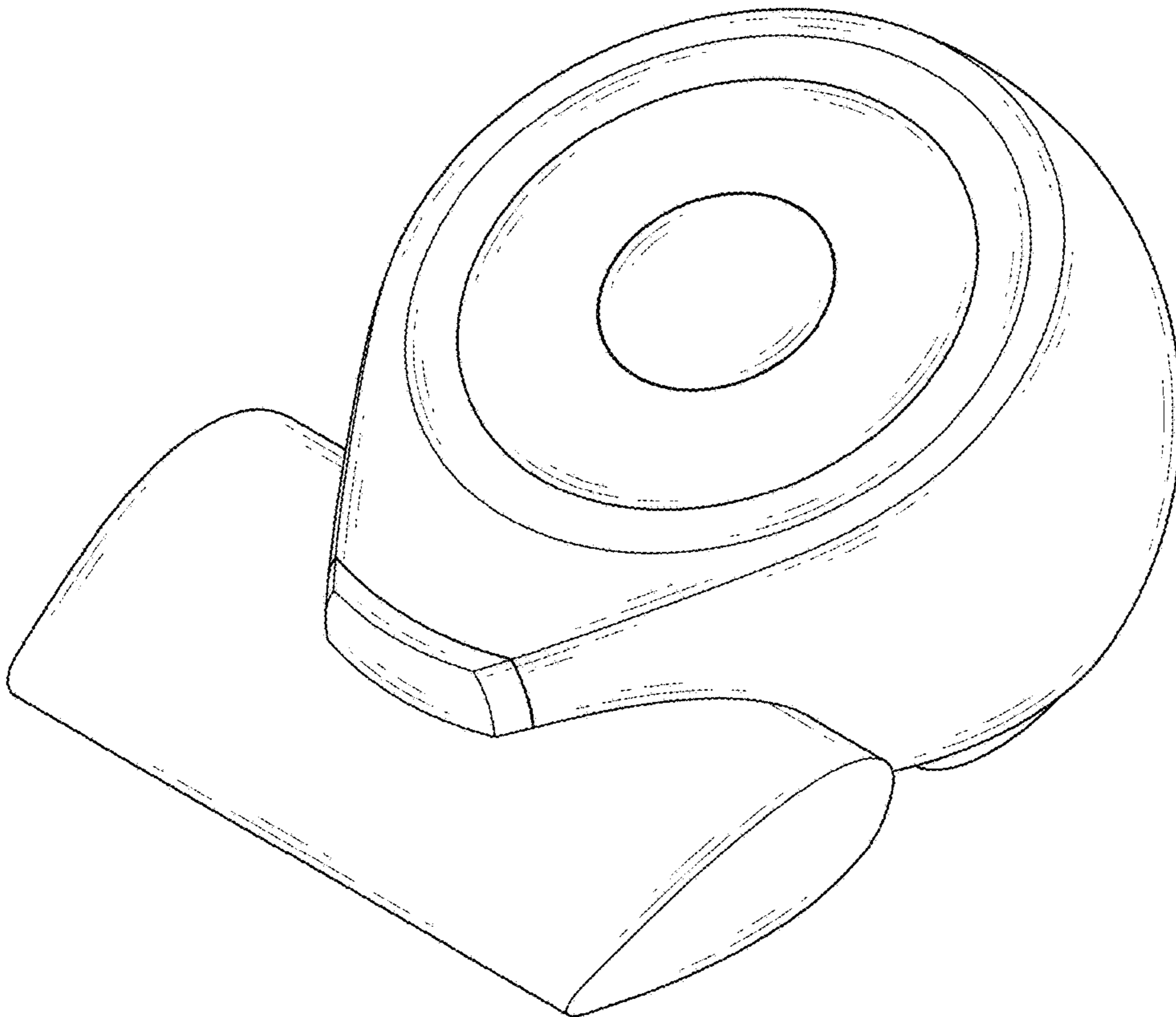
1.10 is a left-side elevation view thereof; and

1.11 is a top plan view thereof.

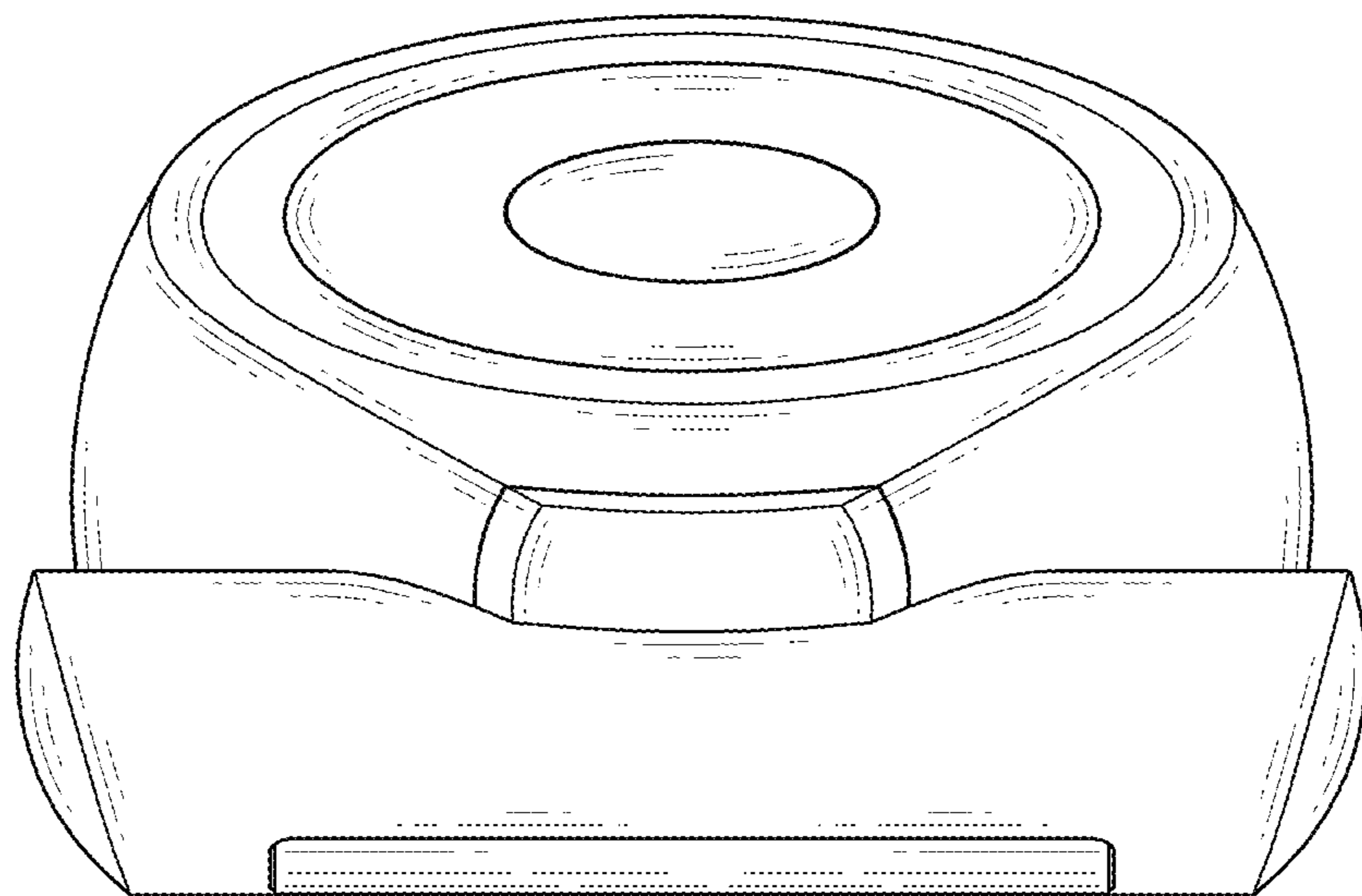
1 Claim, 11 Drawing Sheets



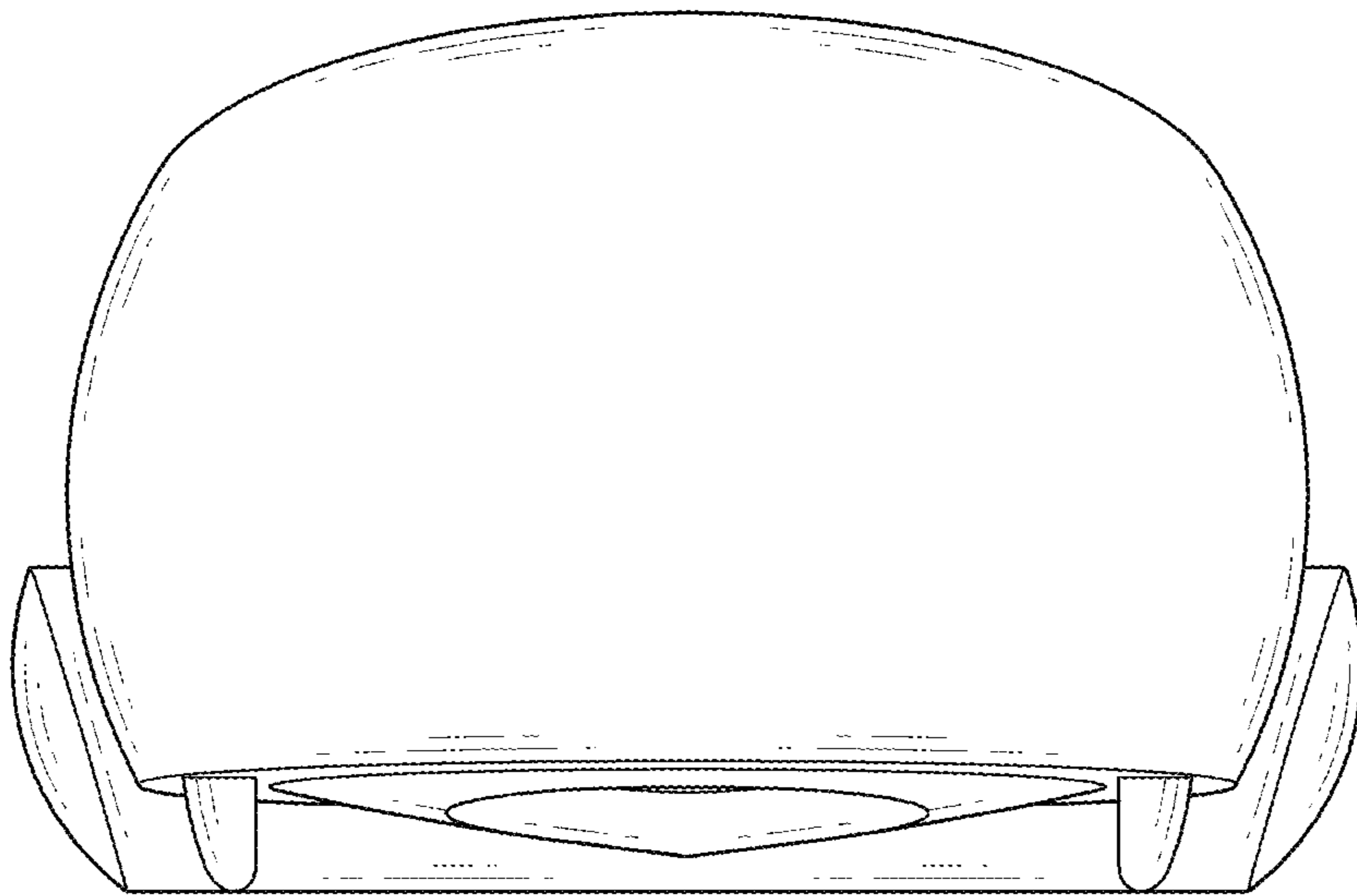
1.1



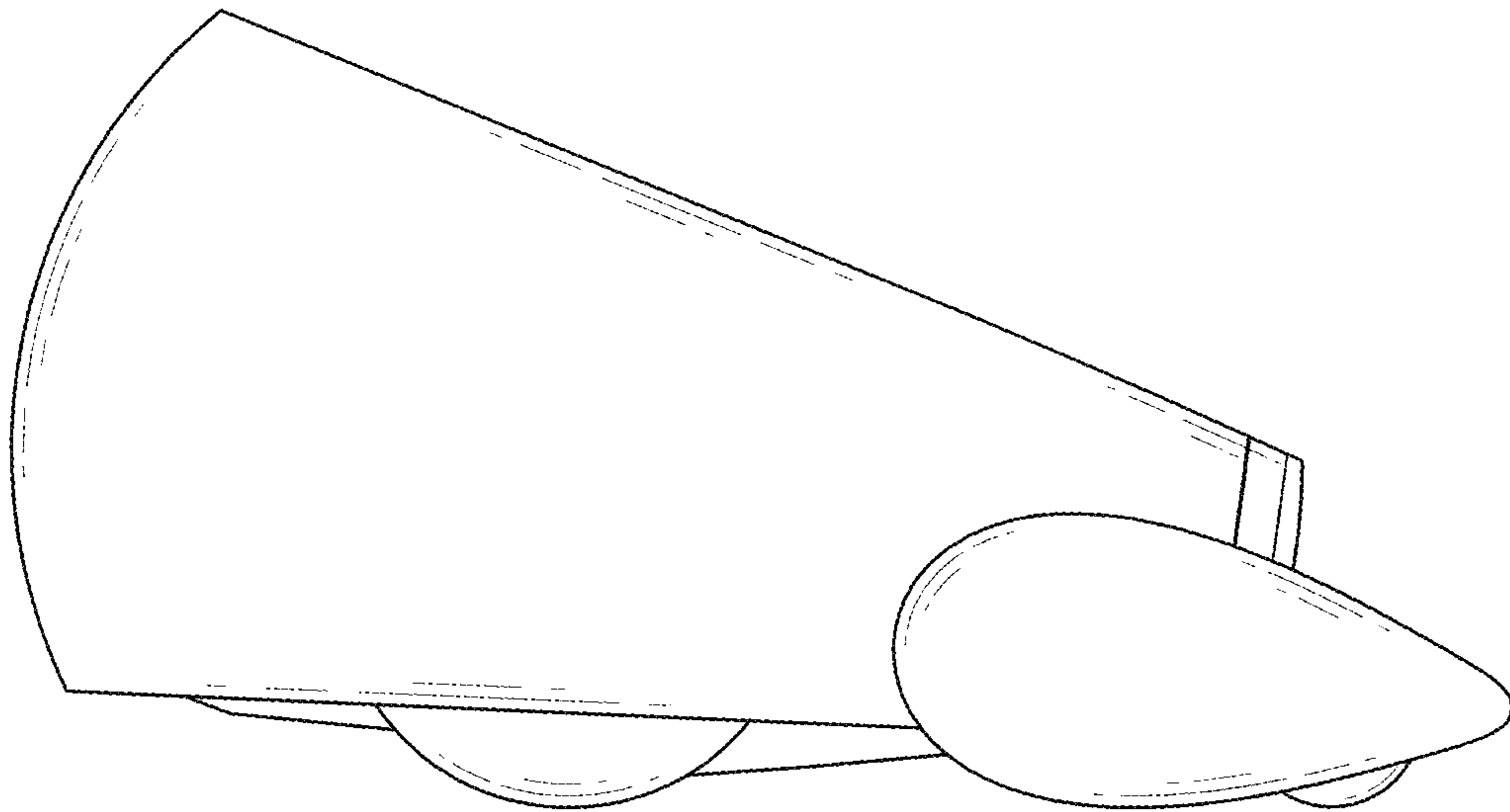
1.2



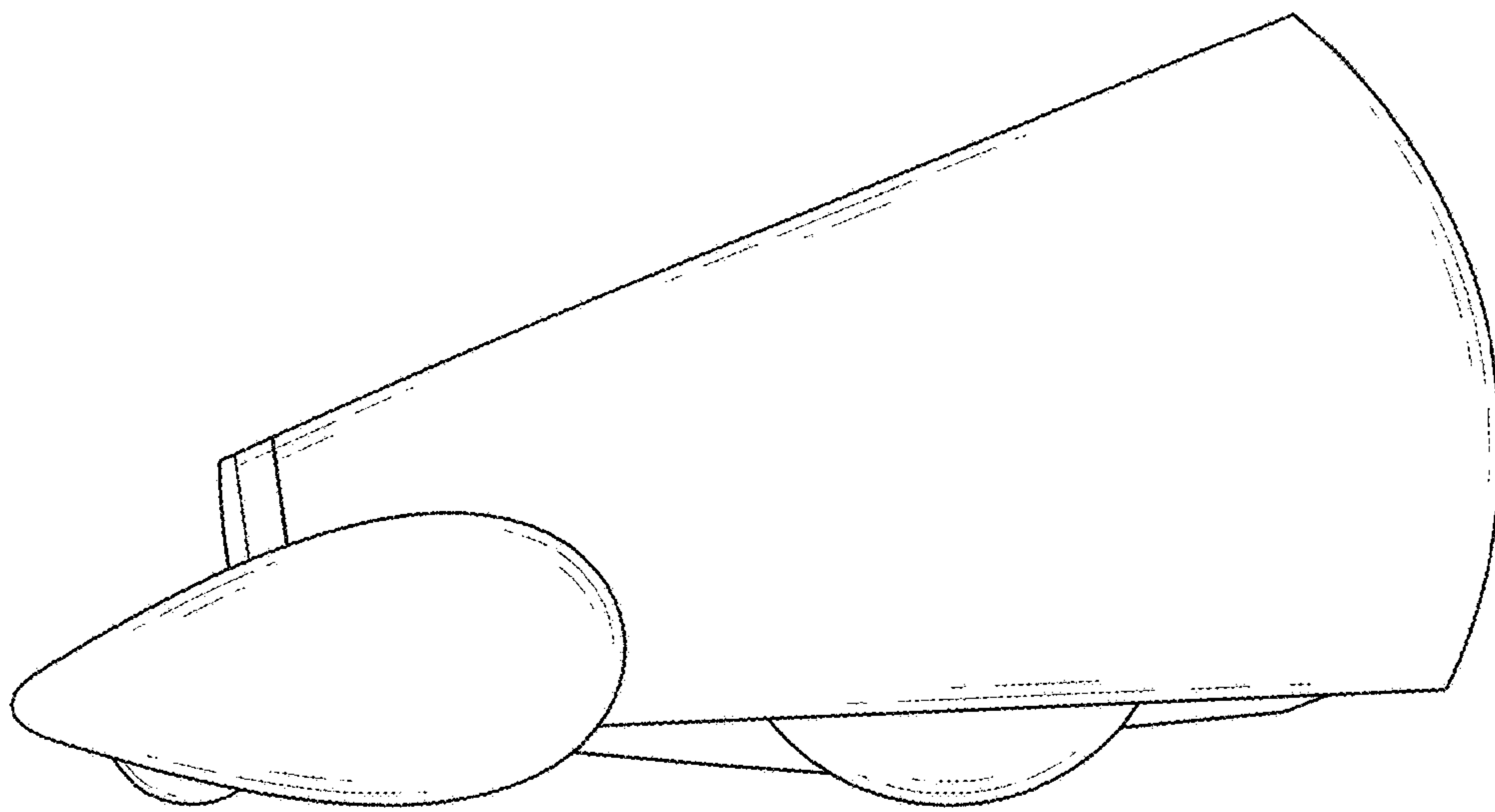
1.3



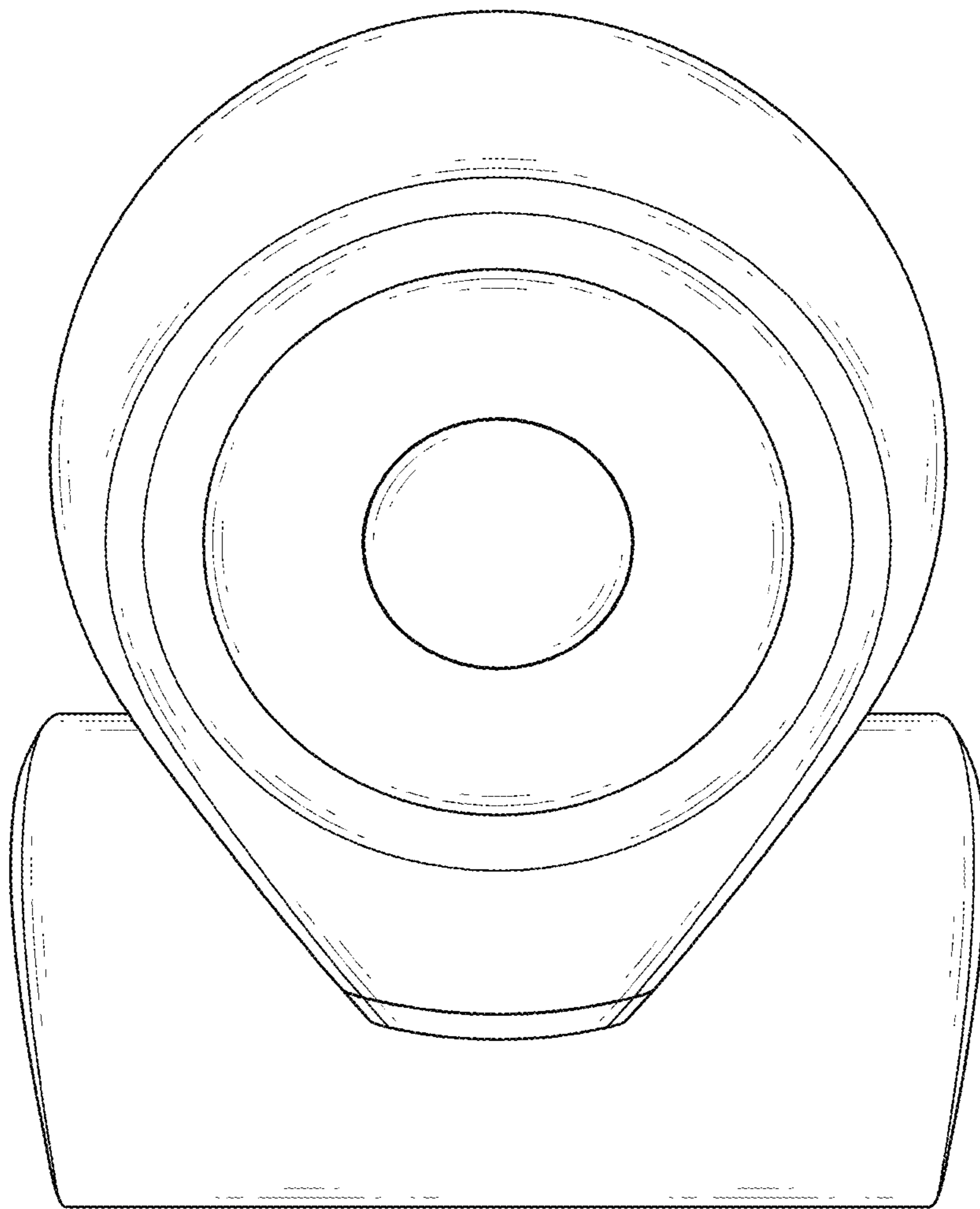
1.4



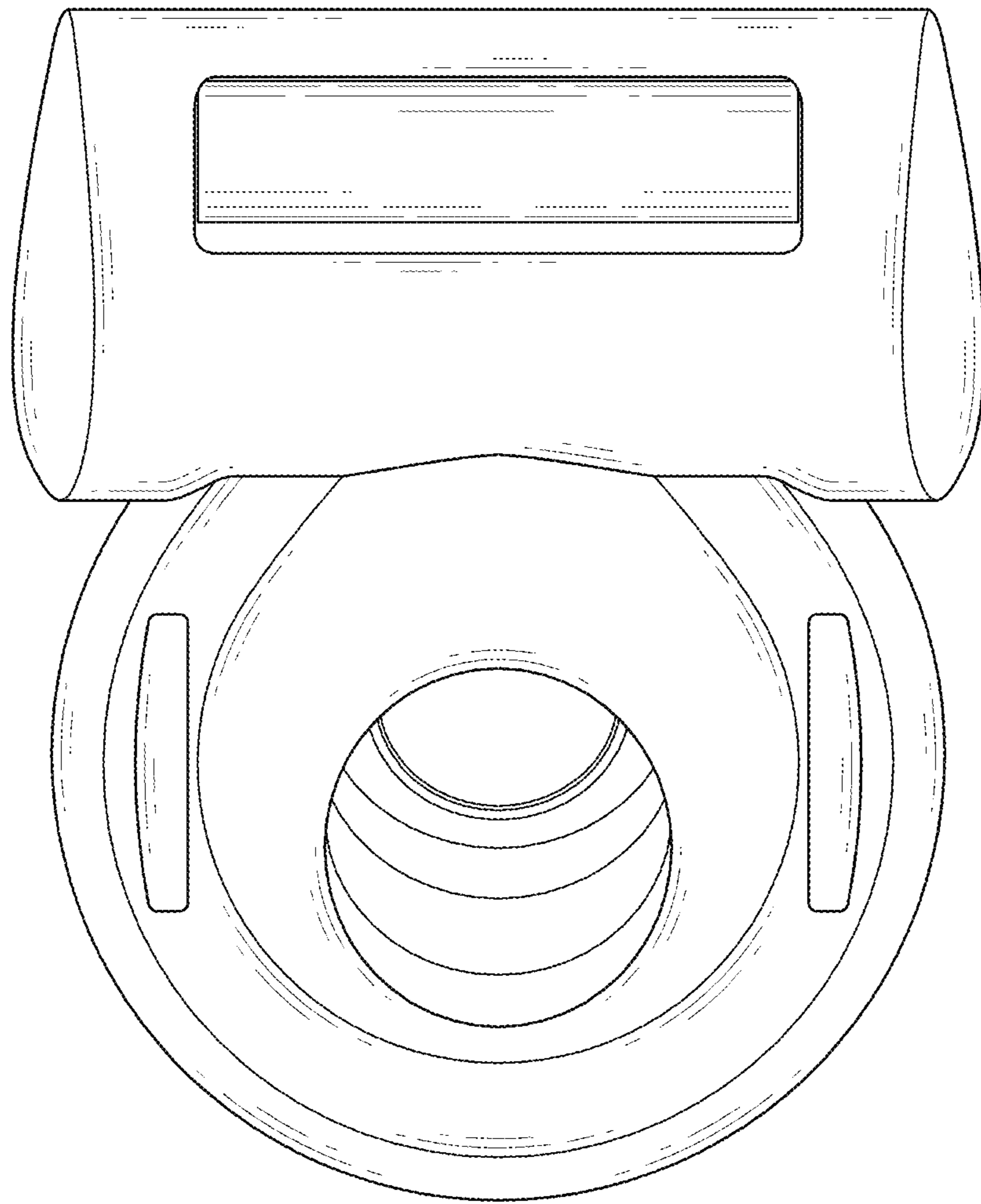
1.5



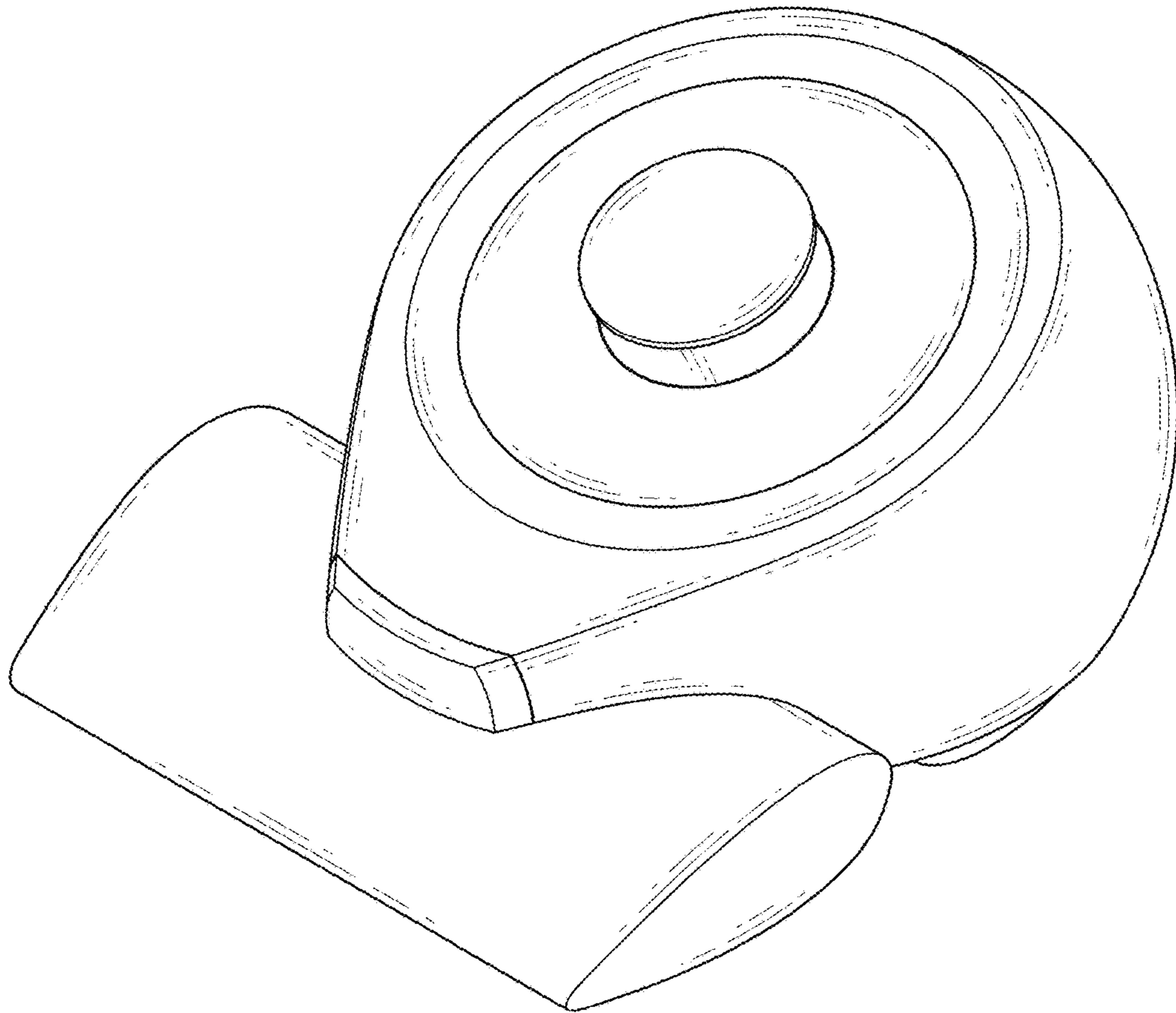
1.6



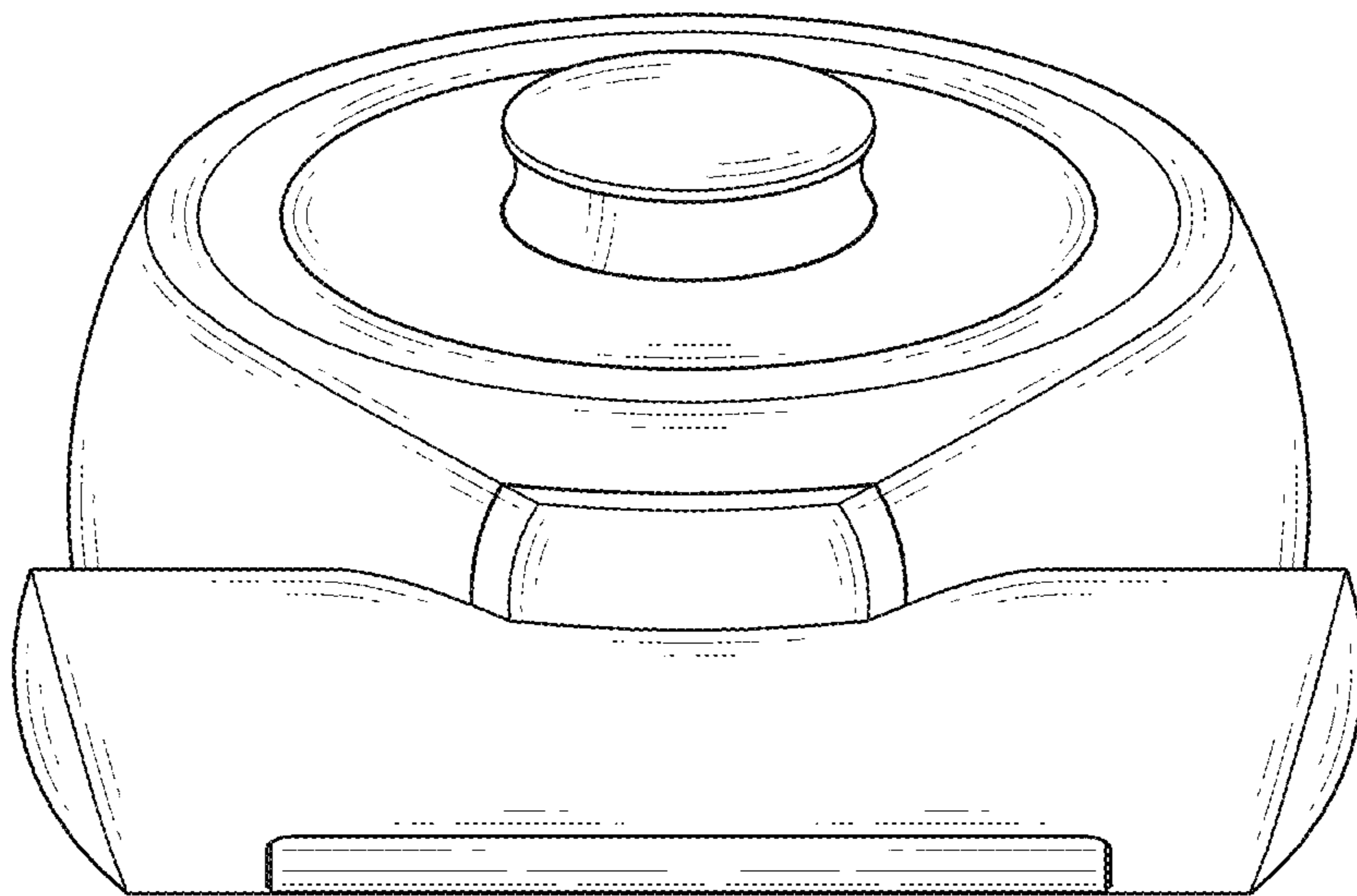
1.7



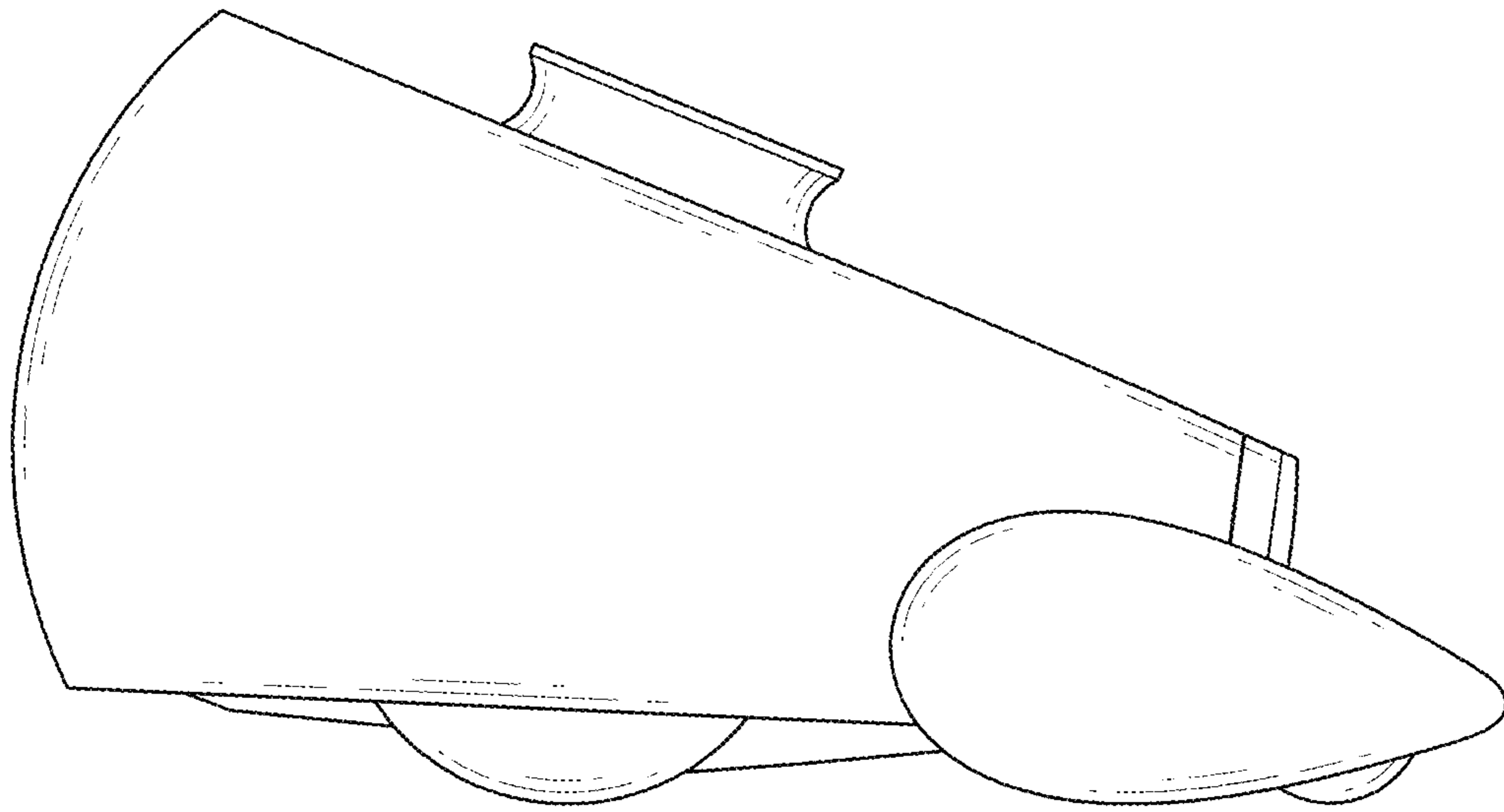
1.8



1.9



1. 10



1.11

