



US00D808098S

(12) **United States Design Patent**
Yoo et al.

(10) **Patent No.:** **US D808,098 S**
(45) **Date of Patent:** **** Jan. 16, 2018**

(54) **DUST COLLECTOR FOR VACUUM CLEANER**

(71) Applicant: **LG ELECTRONICS INC.**, Seoul (KR)

(72) Inventors: **Joonggil Yoo**, Seoul (KR); **Eugene Suh**, Seoul (KR)

(73) Assignee: **LG Electronics Inc.**, Seoul (KR)

(**) Term: **15 Years**

(21) Appl. No.: **35/501,233**

(22) Filed: **Jan. 18, 2016**

(80) **Hague Agreement Data**

Int. Filing Date: **Jan. 18, 2016**
Int. Reg. No.: **DM/089187**
Int. Reg. Date: **Jan. 18, 2016**
Int. Reg. Pub. Date: **Jul. 22, 2016**

(30) **Foreign Application Priority Data**

Aug. 12, 2015 (KR) 30-2015-0040753

(51) **LOC (11) Cl.** **15-05**

(52) **U.S. Cl.**
USPC **D32/23**

(58) **Field of Classification Search**

USPC D23/21, 22, 23, 25, 32, 33, 34; D32/21, D32/22, 23, 25, 32, 33, 34
CPC . A47L 9/16; A47L 9/20; A47L 9/1683; A47L 9/1666; A47L 9/1608; A47L 9/2857; A47L 9/2842; A47L 9/2836; A47L 9/2847; A47L 9/2852; A47L 5/28; A47L 7/0038; G06N 3/008; E04H 4/1654
See application file for complete search history.

(56) **References Cited**

U.S. PATENT DOCUMENTS

D494,719 S * 8/2004 Rosenzweig D32/31
D532,944 S * 11/2006 Choi D32/22

D609,418 S * 2/2010 Santiago D32/31
D662,271 S * 6/2012 Conrad D32/31
D685,961 S * 7/2013 Bilger D32/31
D686,790 S * 7/2013 Santiago D32/31
D687,196 S * 7/2013 Raven D32/31
D693,975 S * 11/2013 Santiago D32/31
D730,000 S * 5/2015 Cheon D32/22
D730,001 S * 5/2015 Yun D32/22
D735,426 S * 7/2015 Yun D32/22
D767,838 S * 9/2016 Mitchell D32/31
D768,343 S * 10/2016 Vanderstegen-Drake D32/21
D768,345 S * 10/2016 Mitchell D32/31
D770,709 S * 11/2016 Ogg D32/22
D773,135 S * 11/2016 Zhou D32/31
D780,389 S * 2/2017 Mitchell D32/21
D782,135 S * 3/2017 Mitchell D32/31

* cited by examiner

Primary Examiner — Michael A Pratt

(74) *Attorney, Agent, or Firm* — Birch, Stewart, Kolasch & Birch, LLP

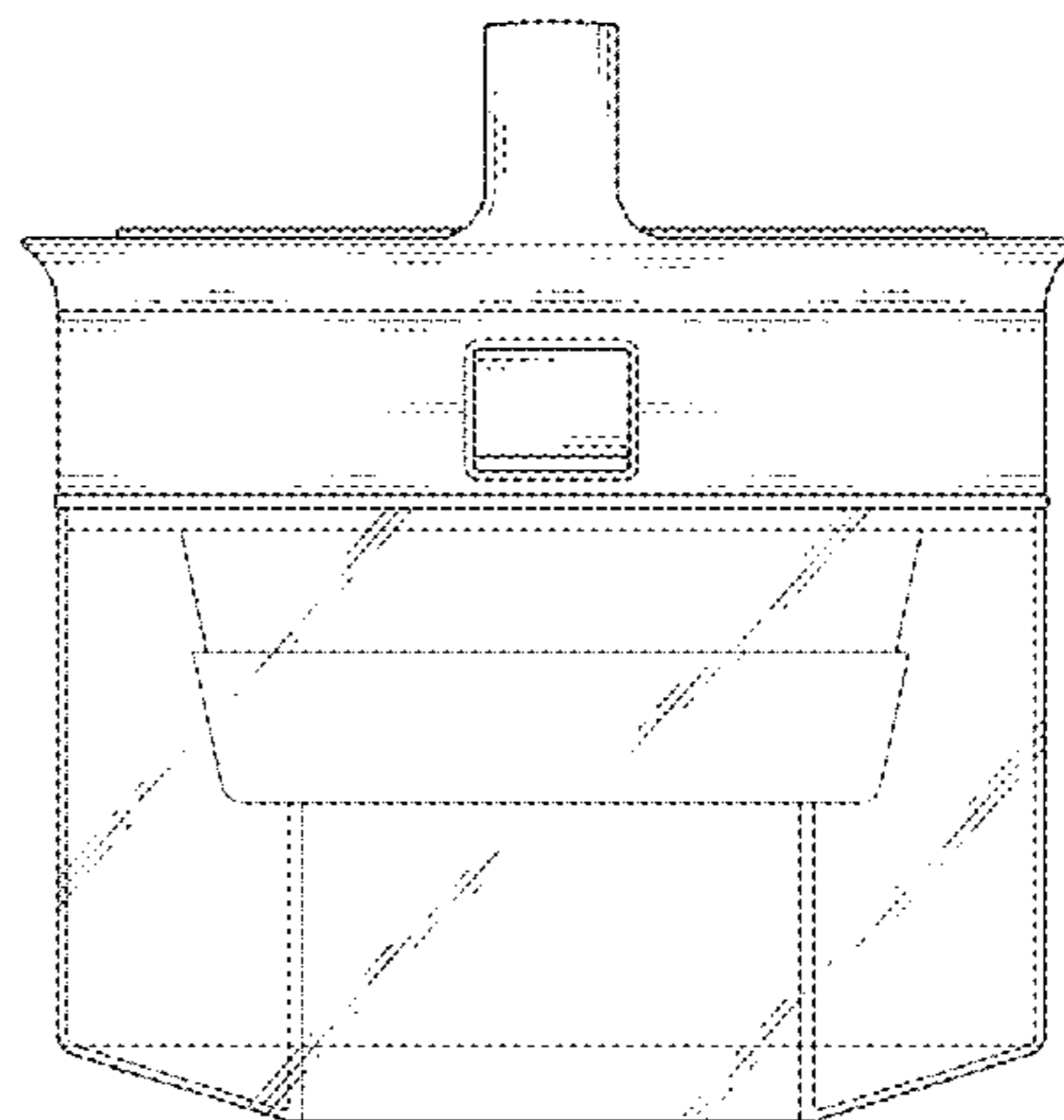
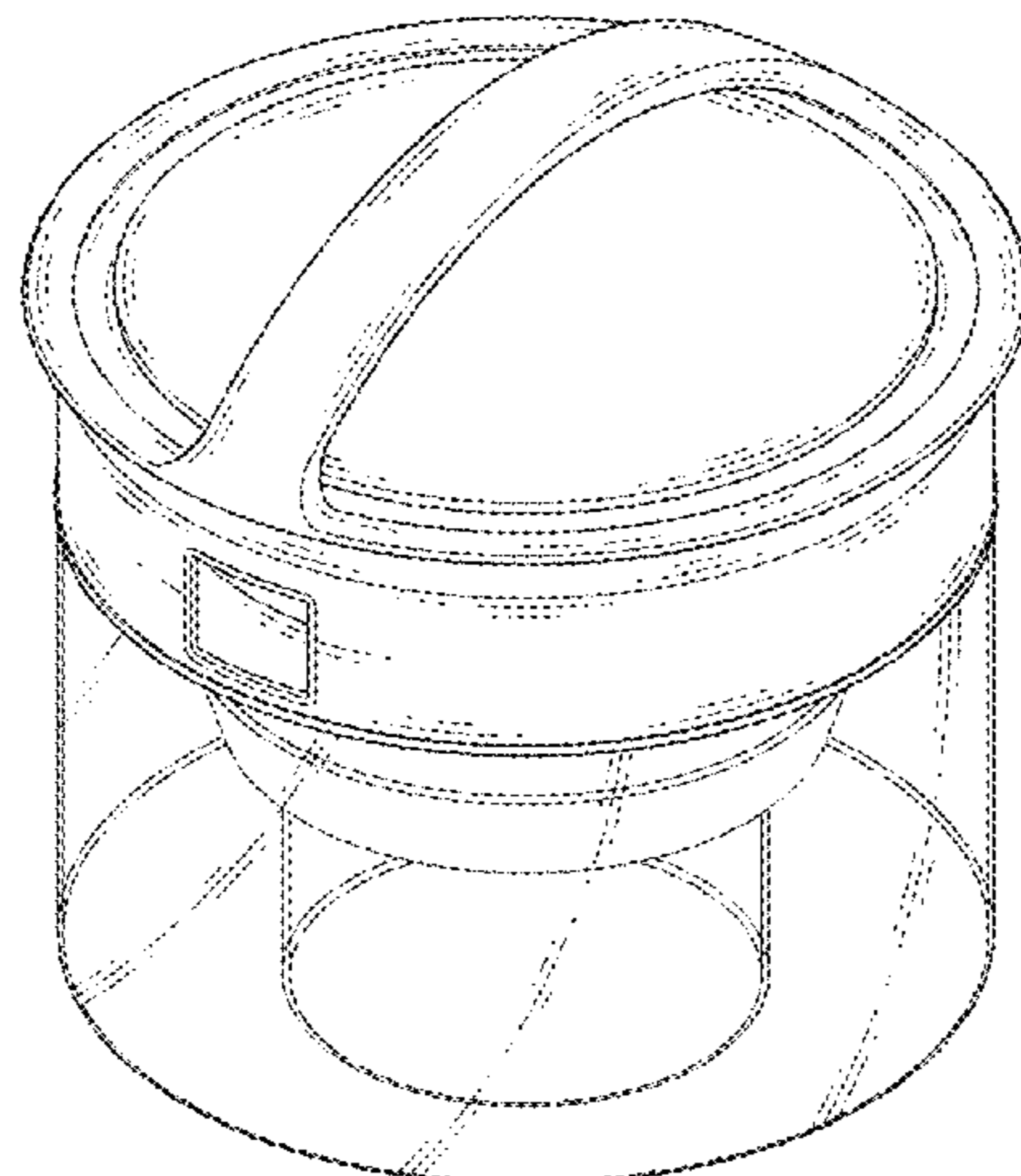
(57) **CLAIM**

The ornamental design for a dust collector for vacuum cleaner, as shown and described.

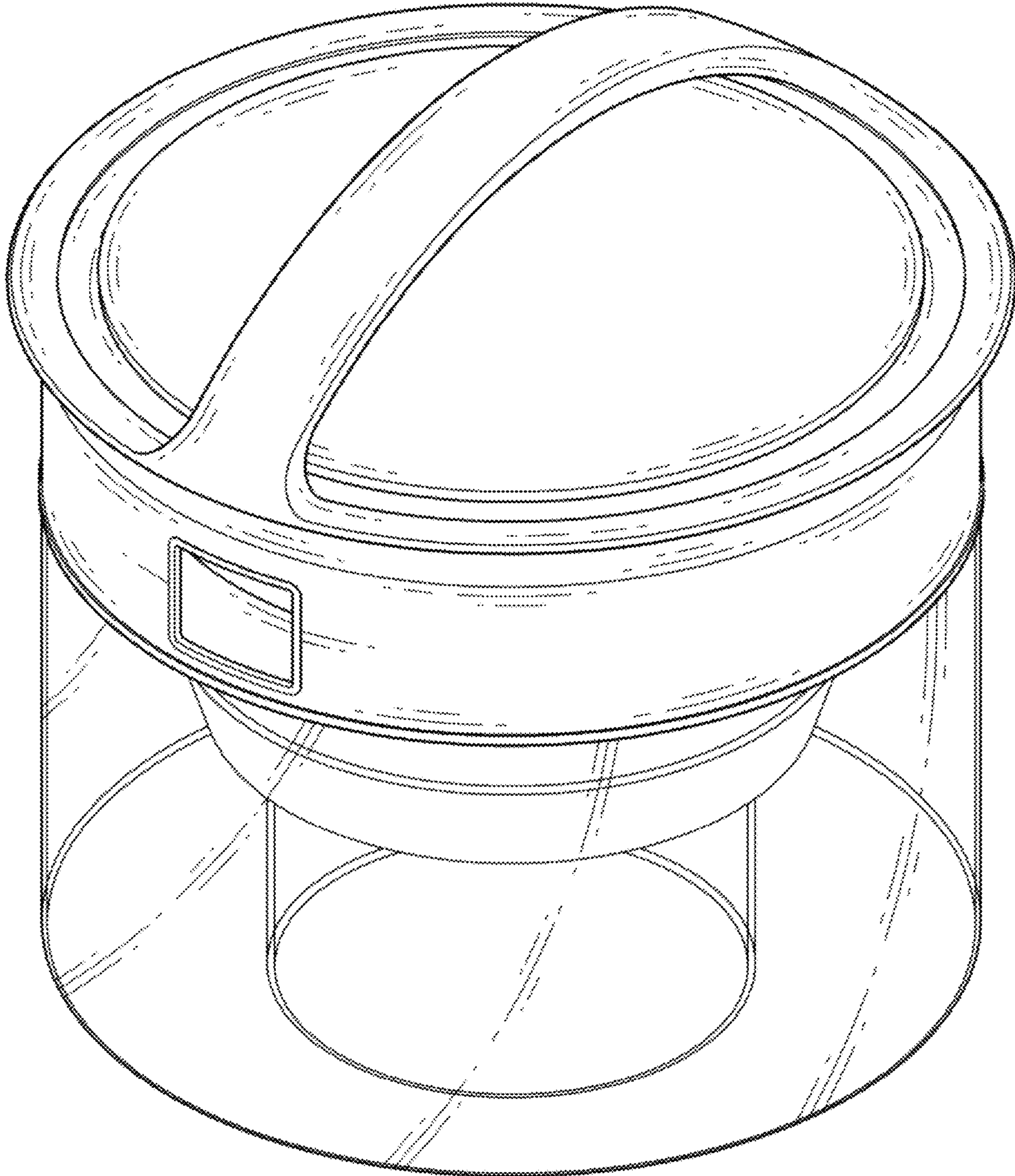
DESCRIPTION

1. Dust collector for vacuum cleaner
1.1 is a perspective view of a dust collector for vacuum cleaner showing our new design;
1.2 is a front elevation view thereof;
1.3 is a rear elevation view thereof;
1.4 is a left-side elevation view thereof;
1.5 is a right-side elevation view thereof;
1.6 is a top plan view thereof;
1.7 is a bottom plan view thereof; and
1.8 is a perspective view thereof in a use condition.
The broken line showing of portions of the dust collector for vacuum cleaner is for the purpose of illustrating environment and forms no part of the claimed design.

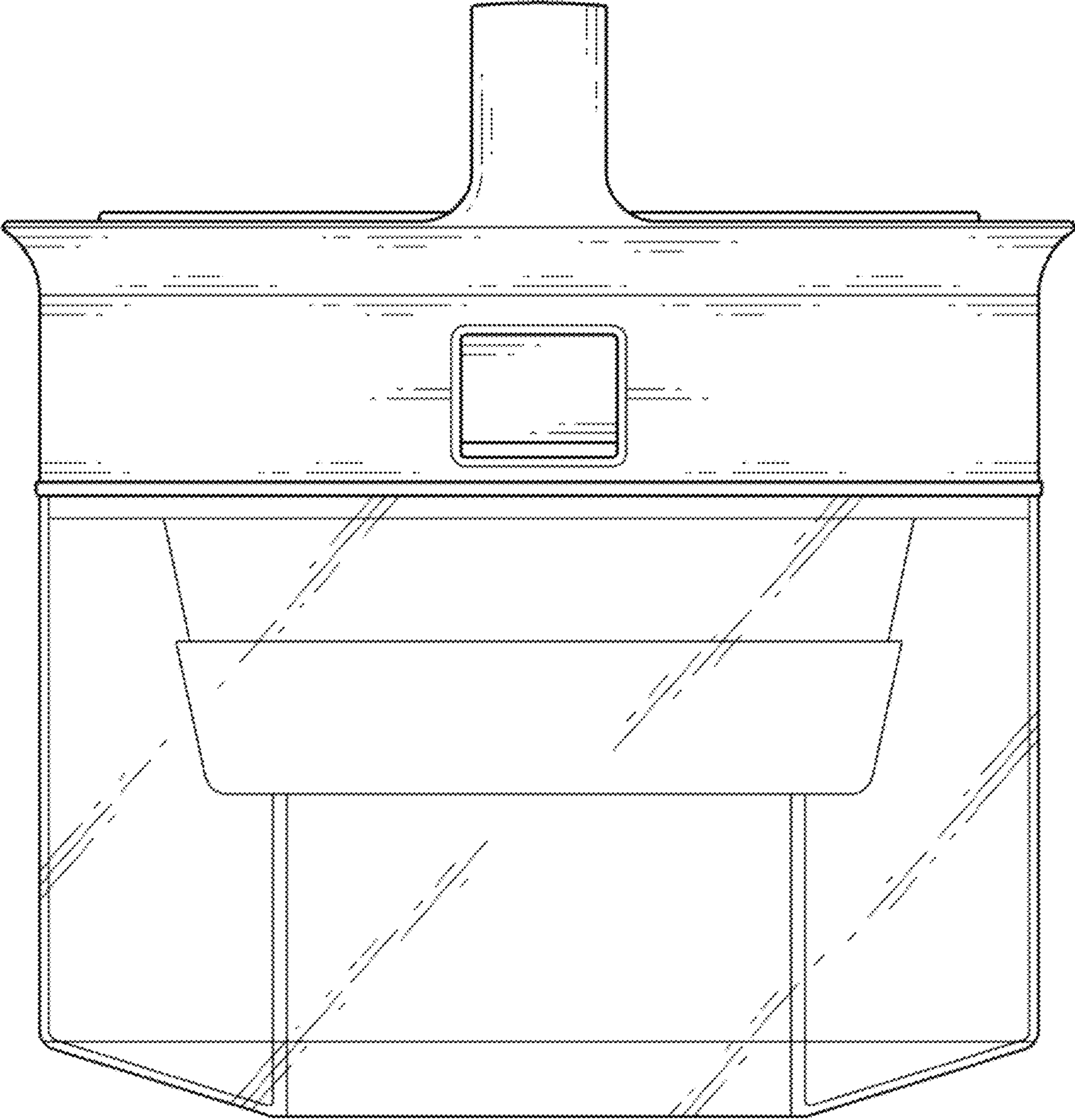
1 Claim, 8 Drawing Sheets



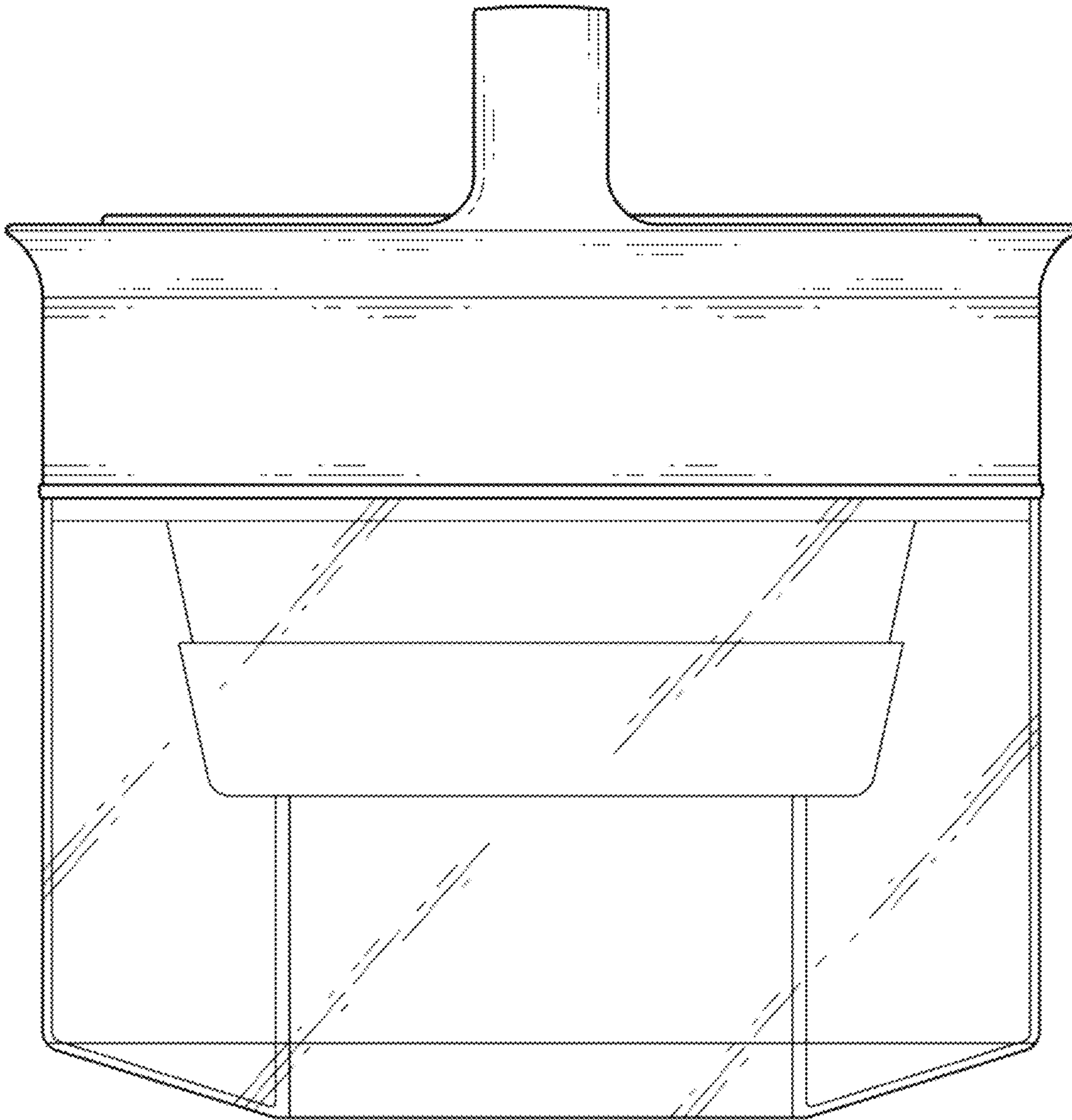
1.1



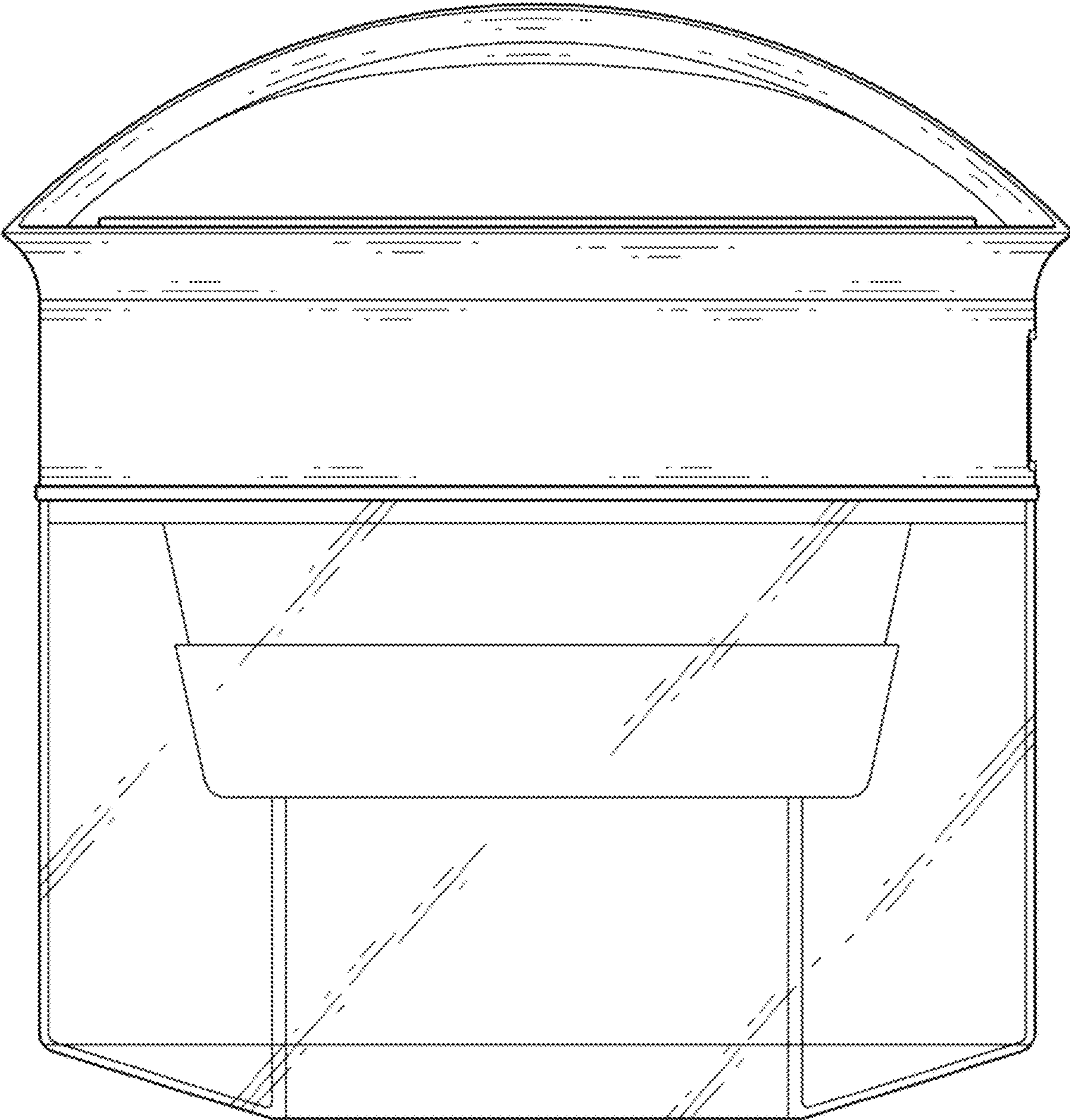
1.2



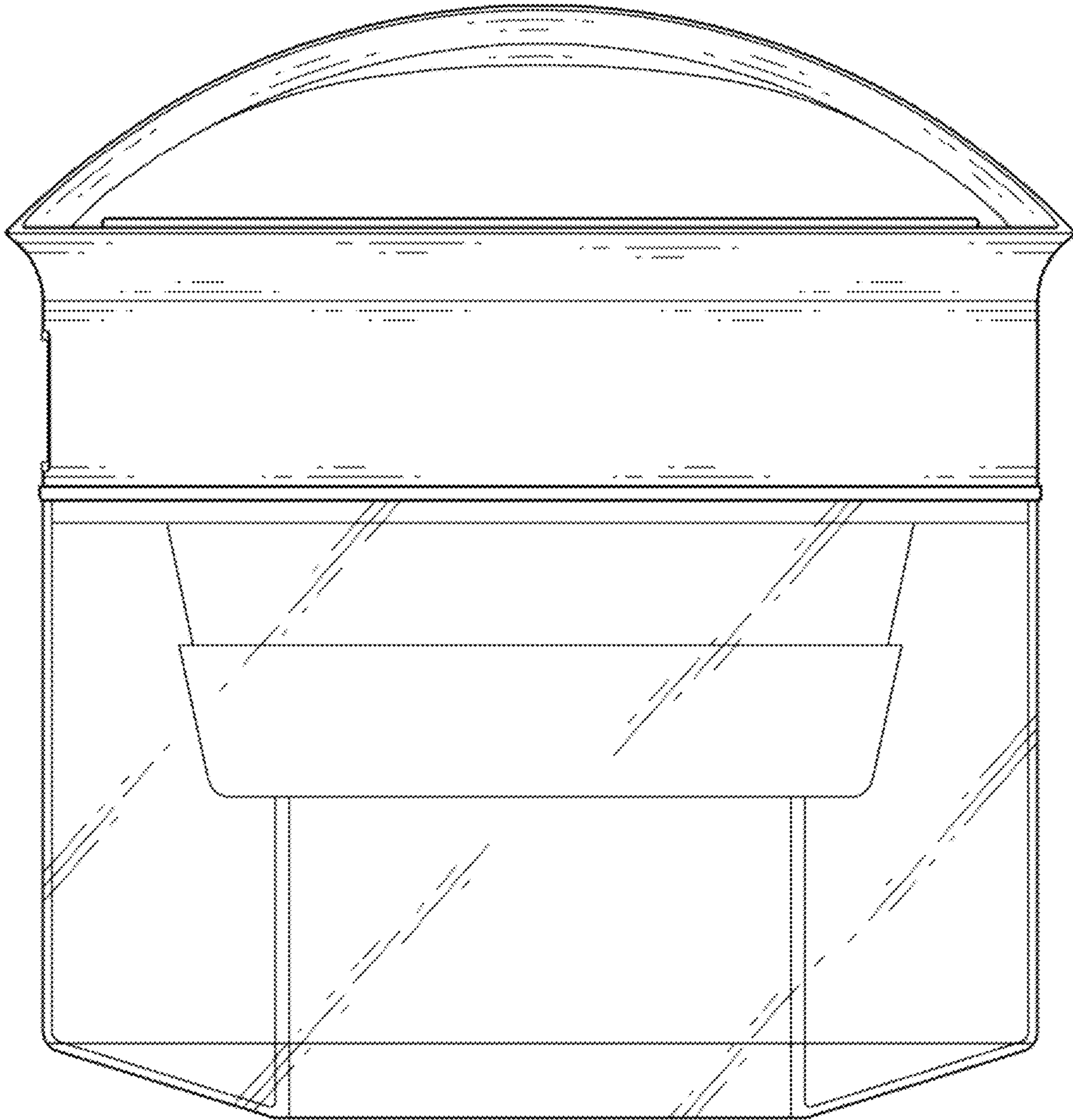
1.3



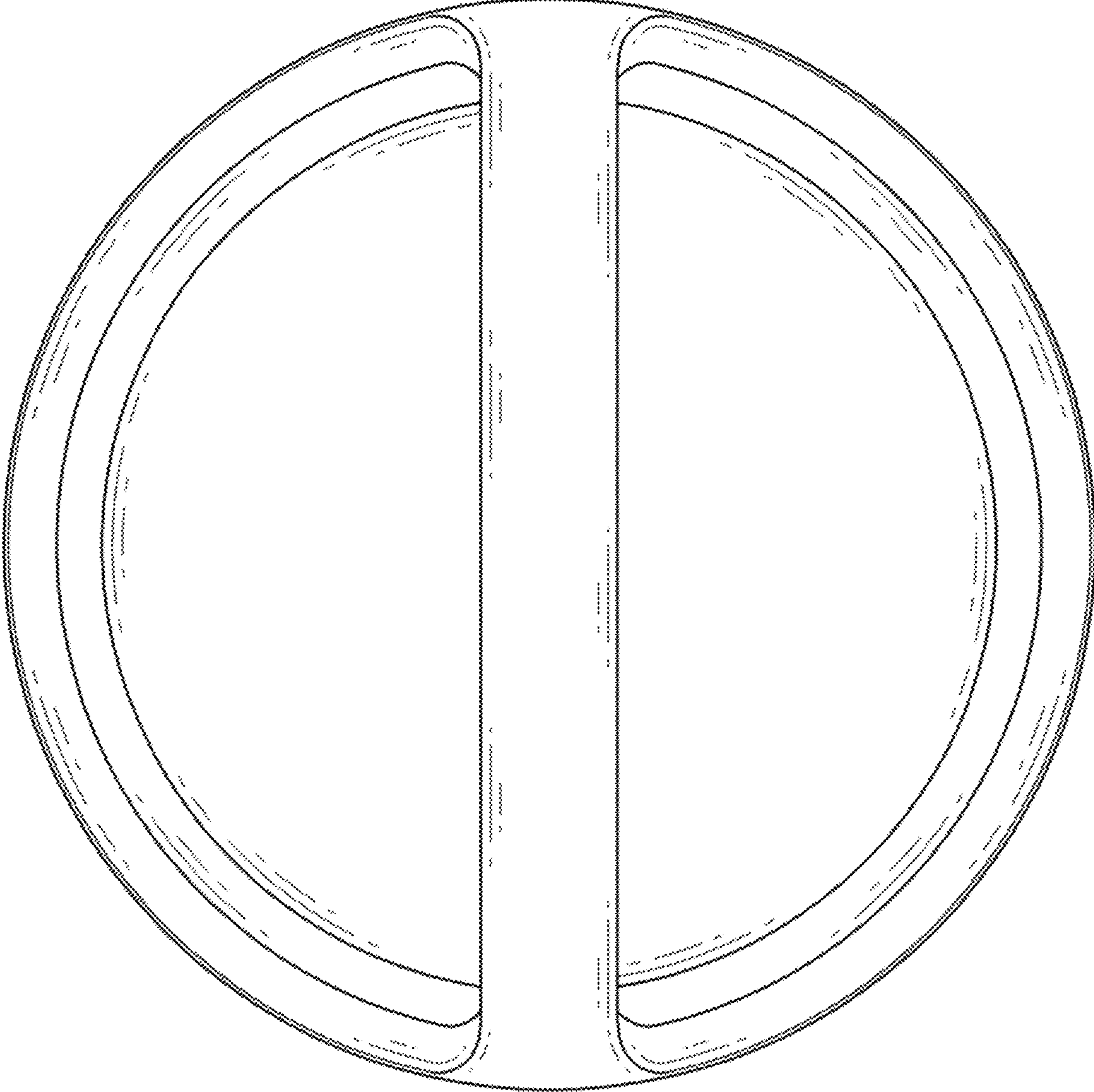
1.4



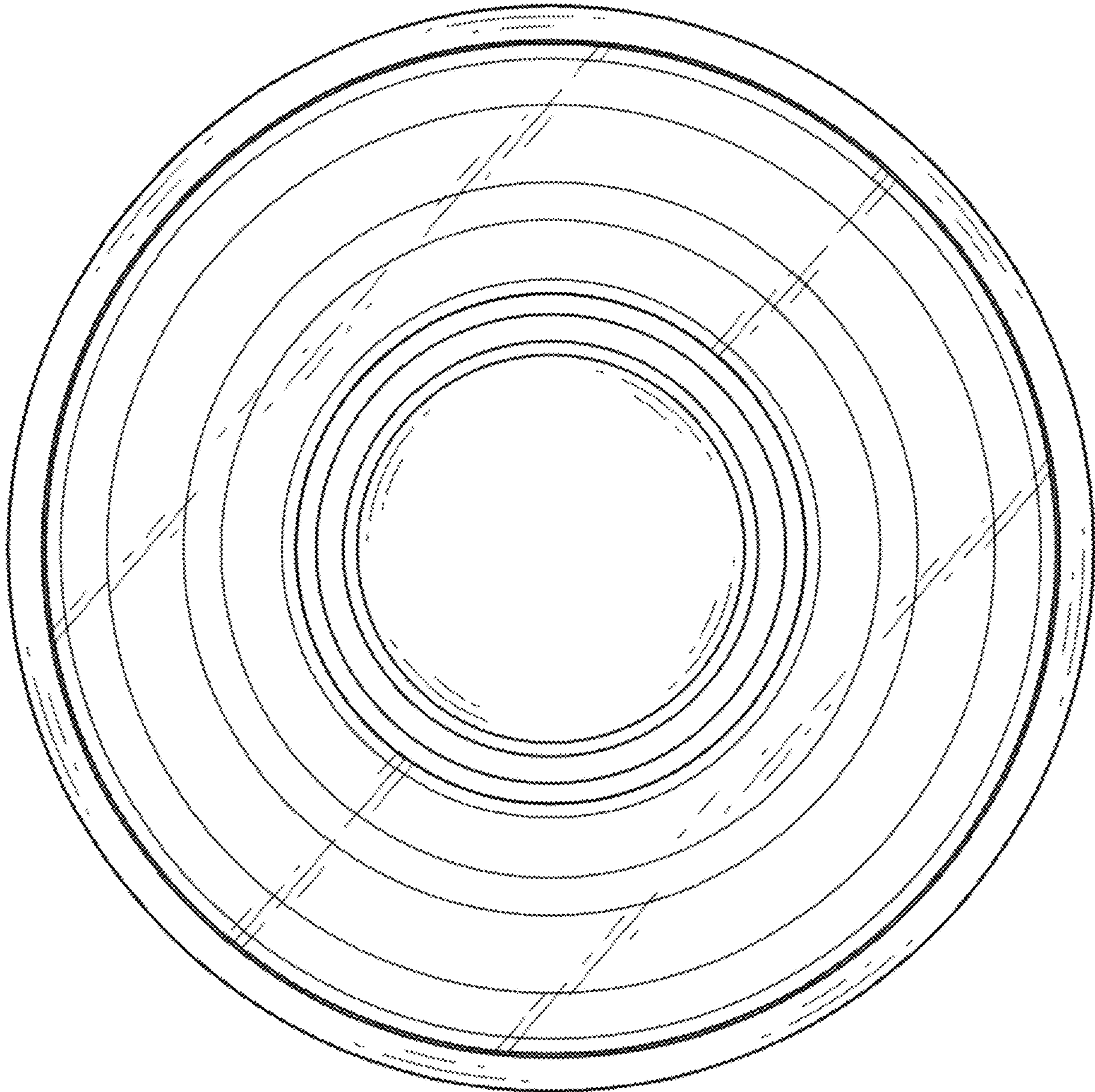
1.5



1.6



1.7



1.8

