



US00D808097S

(12) **United States Design Patent**  
**Koyama**

(10) **Patent No.:** **US D808,097 S**  
(45) **Date of Patent:** **\*\* Jan. 16, 2018**

- (54) **VACUUM CLEANER BODY**
- (71) Applicant: **Toshiba Lifestyle Products & Services Corporation**, Kawasaki-shi, Kanagawa (JP)
- (72) Inventor: **Takashi Koyama**, Kawasaki (JP)
- (73) Assignee: **Toshiba Lifestyle Products & Services Corporation**, Kawasaki-shi, Kanagawa (JP)
- (\*\*) Term: **15 Years**
- (21) Appl. No.: **29/606,613**
- (22) Filed: **Jun. 6, 2017**

|                |        |                 |            |
|----------------|--------|-----------------|------------|
| 9,420,926 B2 * | 8/2016 | Chun .....      | A47L 9/009 |
| D767,833 S *   | 9/2016 | Carter .....    | D32/21     |
| D787,760 S *   | 5/2017 | Mainville ..... | D32/21     |
| D789,003 S *   | 6/2017 | Mainville ..... | D32/21     |

**FOREIGN PATENT DOCUMENTS**

|    |           |         |
|----|-----------|---------|
| CN | 301005013 | 9/2009  |
| CN | 303395942 | 9/2015  |
| JP | 974204    | 2/1997  |
| JP | 1114804   | 7/2001  |
| JP | 1114805   | 7/2001  |
| JP | 1158436   | 11/2002 |

\* cited by examiner

*Primary Examiner* — Ruth McInroy

(74) *Attorney, Agent, or Firm* — Banner & Witcoff, Ltd.

(30) **Foreign Application Priority Data**

Dec. 9, 2016 (JP) ..... 2016-026679

(51) **LOC (11) Cl.** ..... **15-05**

(52) **U.S. Cl.**  
USPC ..... **D32/21**

(58) **Field of Classification Search**  
CPC . A47L 5/362; A47L 5/365; A47L 5/36; A47L 5/28; A47L 7/0038; A47L 11/34  
See application file for complete search history.

(56) **References Cited**

**U.S. PATENT DOCUMENTS**

|                |         |                |                        |
|----------------|---------|----------------|------------------------|
| D176,635 S *   | 1/1956  | Shalvoy .....  | D32/21                 |
| D443,738 S *   | 6/2001  | Makihara ..... | D32/21                 |
| D444,280 S *   | 6/2001  | Rief .....     | D32/21                 |
| D454,994 S *   | 3/2002  | Harada .....   | D32/21                 |
| D718,503 S *   | 11/2014 | Jang .....     | D32/21                 |
| 8,978,198 B2 * | 3/2015  | Conrad .....   | A47L 5/362<br>15/327.1 |
| 9,247,854 B2 * | 2/2016  | Park .....     | A47L 9/10              |
| D760,459 S *   | 6/2016  | Carter .....   | D32/31                 |

(57) **CLAIM**

The ornamental design for a vacuum cleaner body, as shown and described.

**DESCRIPTION**

FIG. 1 is a front perspective view of a vacuum cleaner body showing my new design;  
 FIG. 2 is a rear perspective view thereof.  
 FIG. 3 is a front elevational view thereof,  
 FIG. 4 is a rear elevational view thereof,  
 FIG. 5 is a top plan view thereof,  
 FIG. 6 is a bottom plan view thereof,  
 FIG. 7 is a left side elevational view thereof; and,  
 FIG. 8 is a right side elevational view thereof.  
 The broken lines in FIGS. 1 and 3 show portions of the vacuum cleaner body which form no part of the claimed design.

**1 Claim, 4 Drawing Sheets**

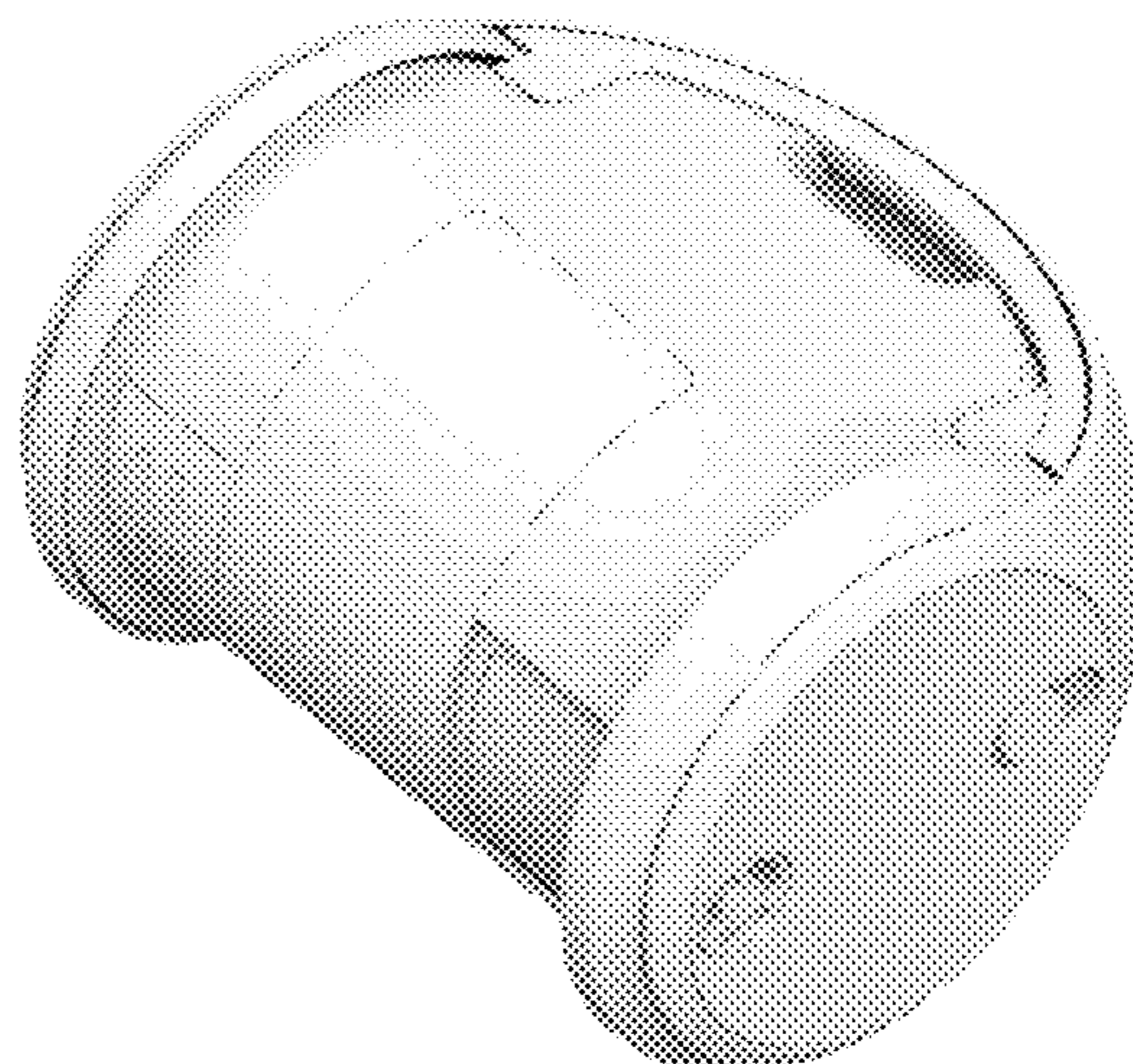
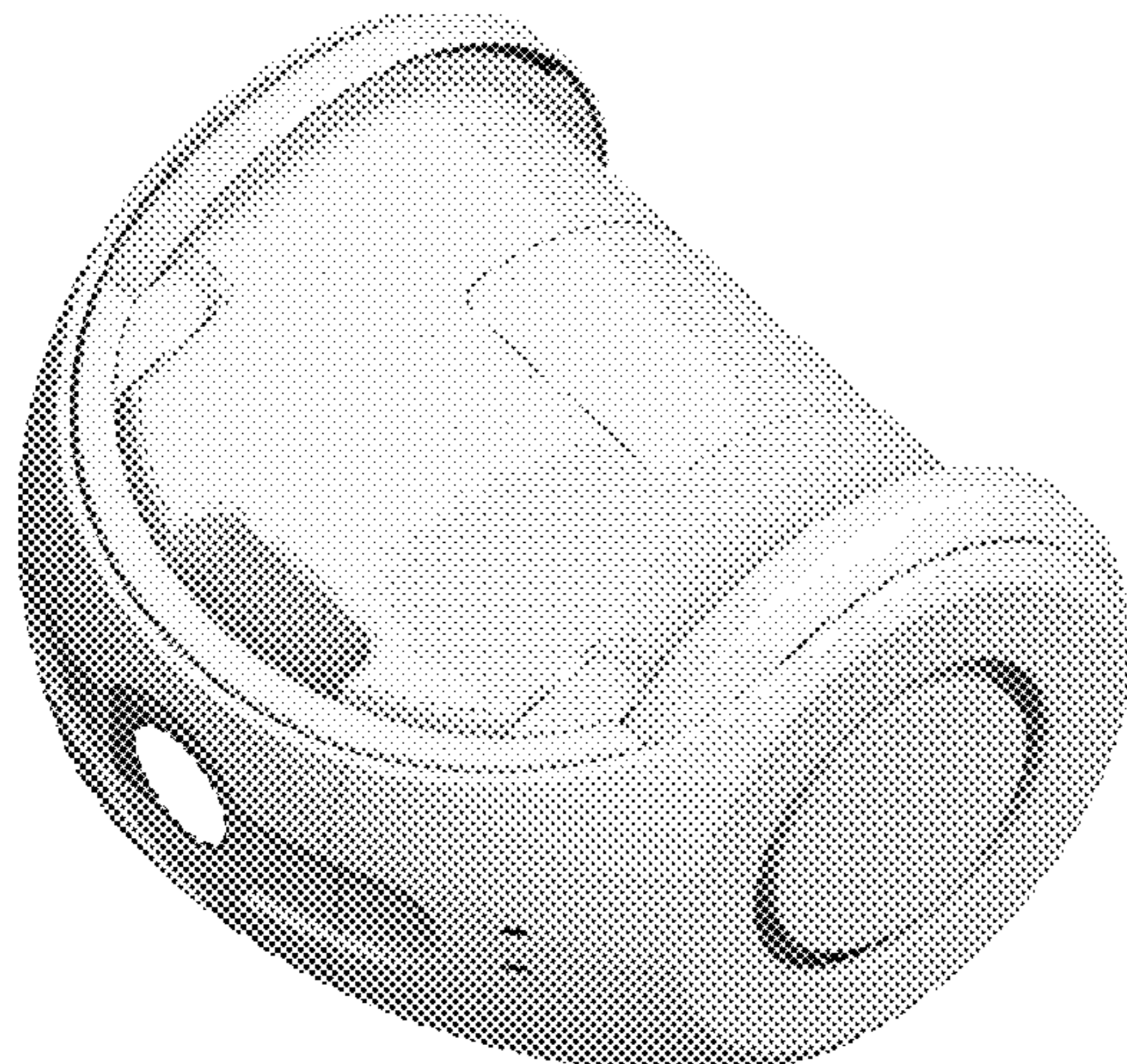


FIG.1



FIG.2



FIG.3

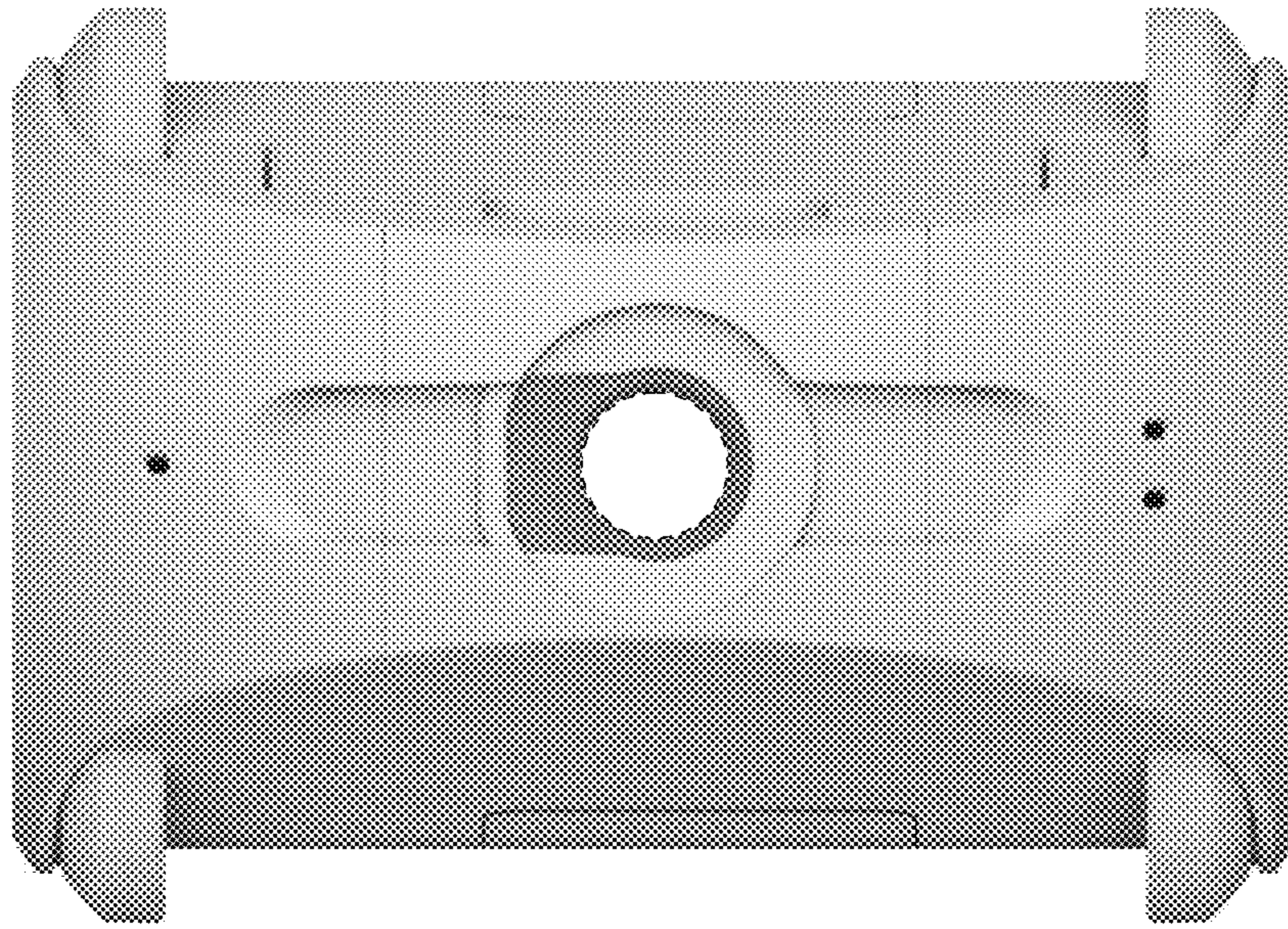


FIG.4

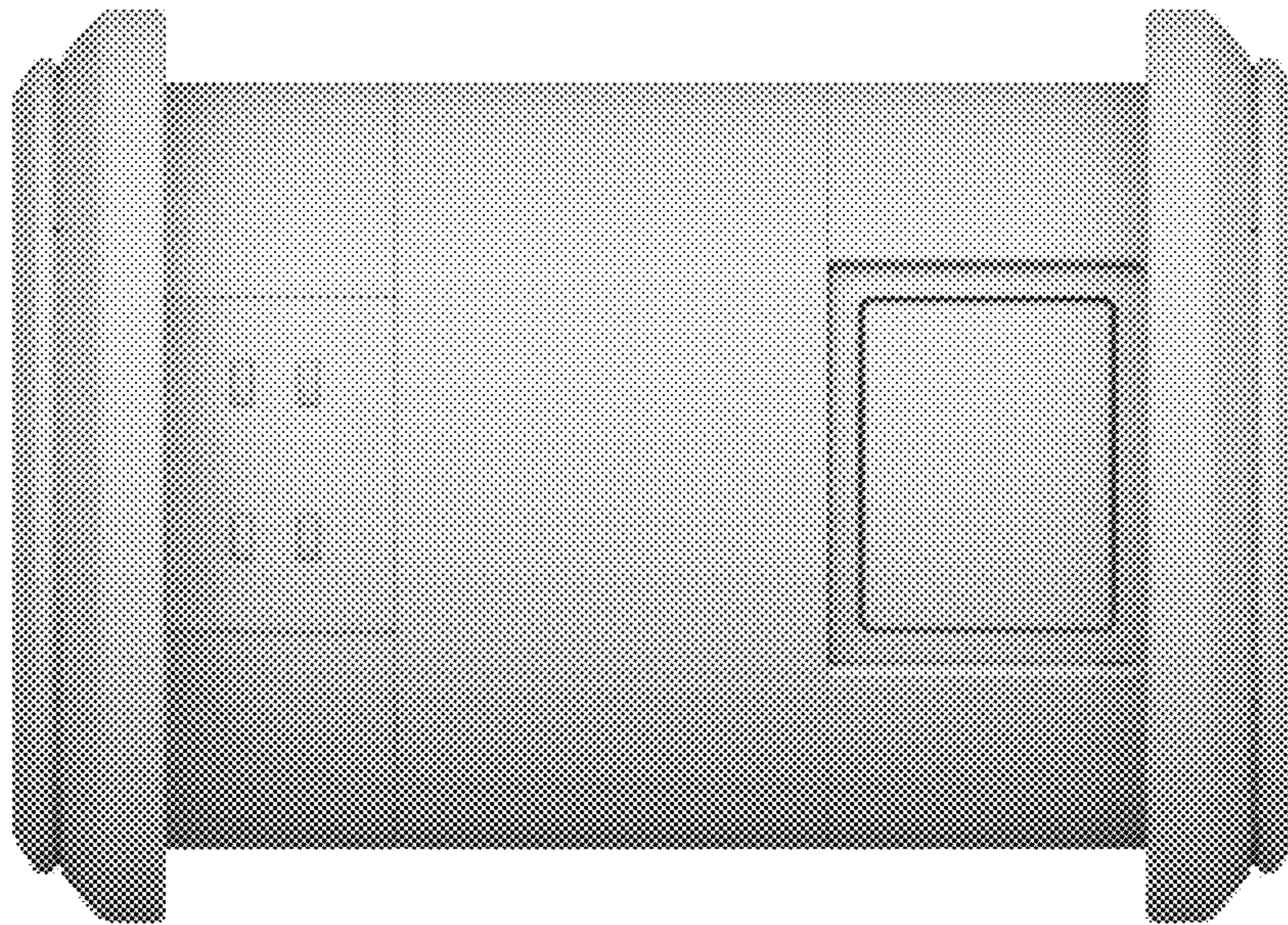


FIG.5

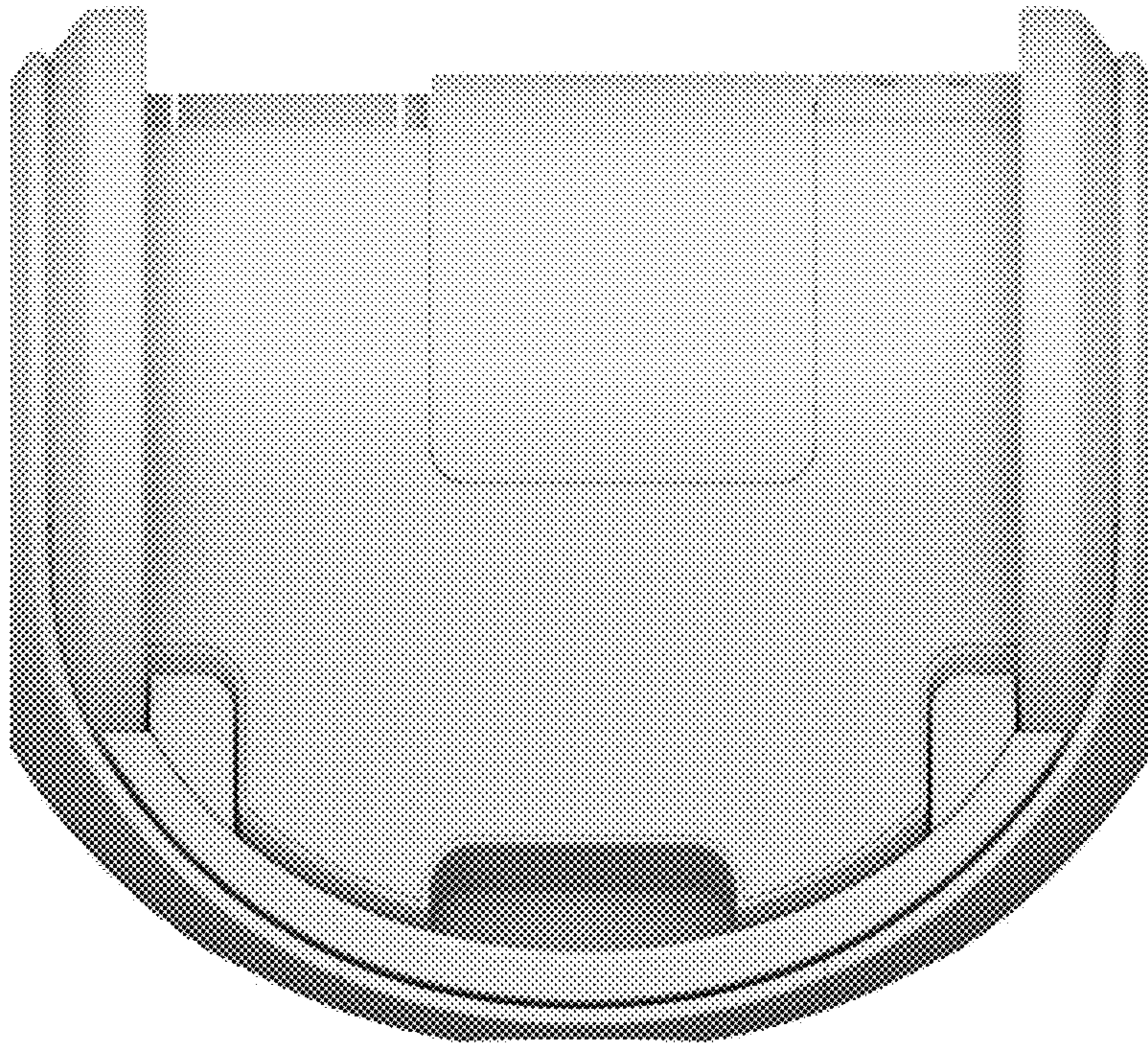


FIG.6

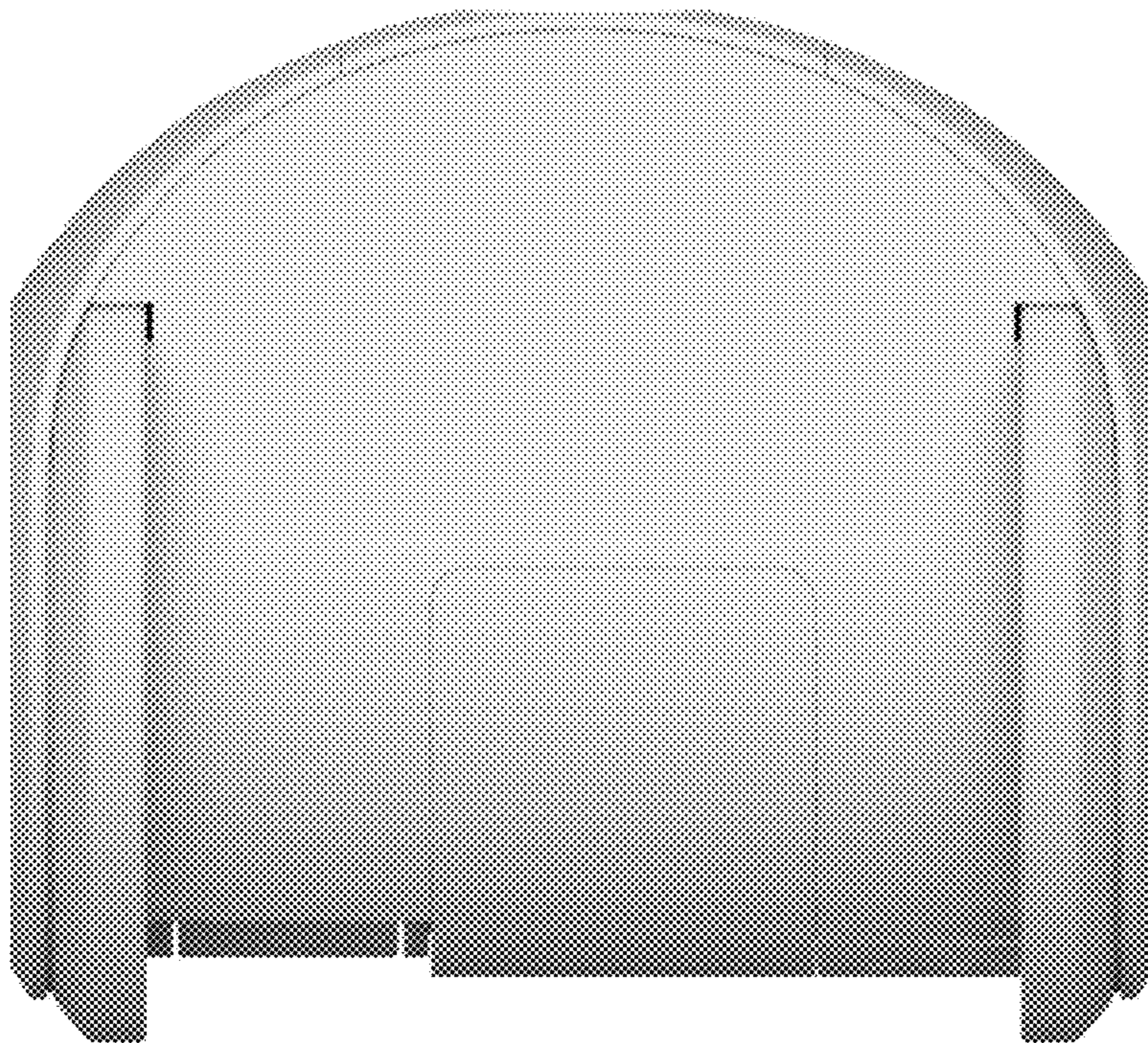


FIG.7

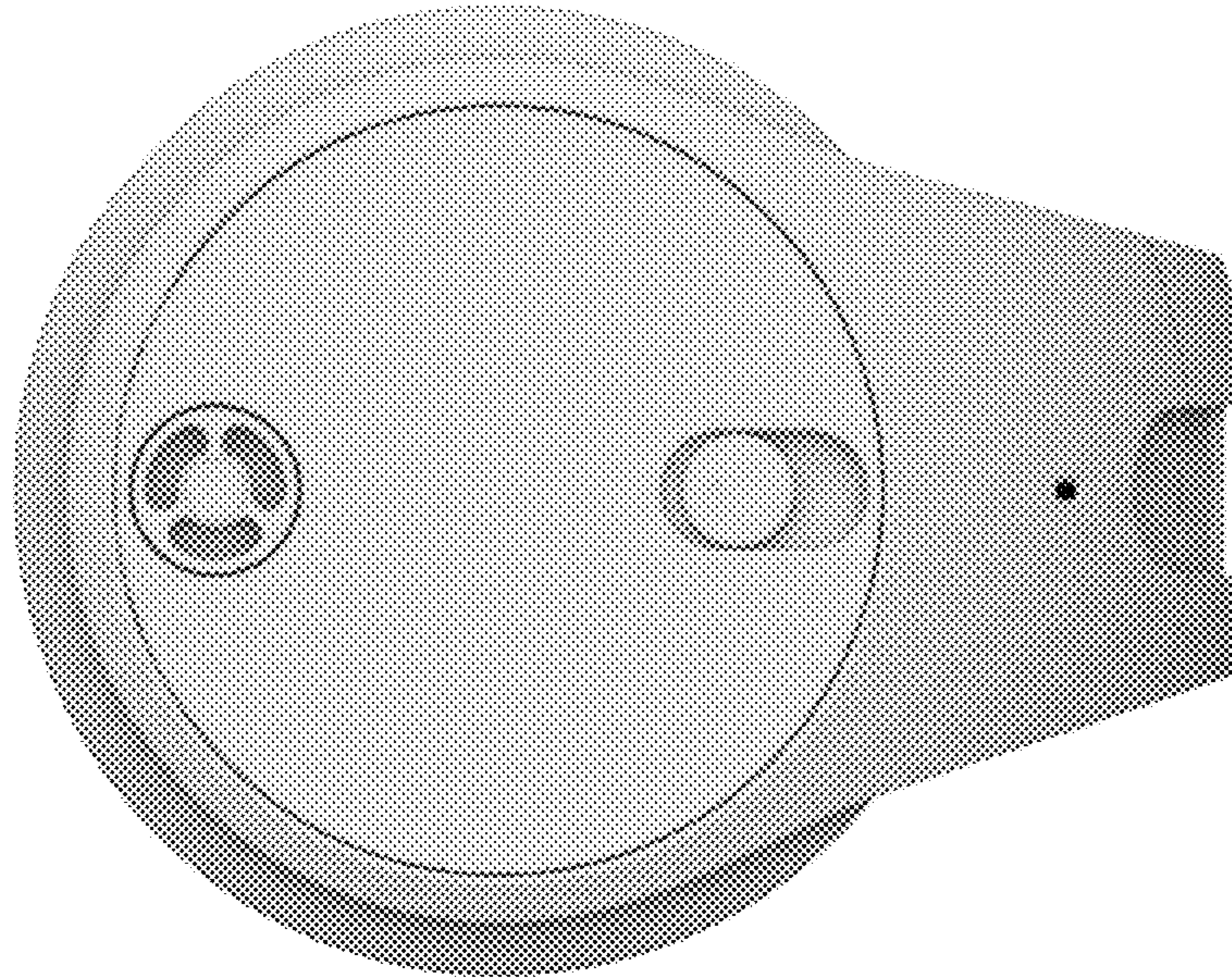


FIG.8

