



US00D808096S

(12) **United States Design Patent**
Yun et al.

(10) **Patent No.:** **US D808,096 S**
(45) **Date of Patent:** **** Jan. 16, 2018**

(54) **ROBOT CLEANER**

(71) Applicant: **SAMSUNG ELECTRONICS CO., LTD.**, Suwon-si, Gyeonggi-do (KR)

(72) Inventors: **Deoksang Yun**, Uiwang-si (KR);
Hyounsub Choi, Goyang-si (KR);
Sangin Lee, Seoul (KR); **Hwandong Lee**, Seoul (KR)

(73) Assignee: **SAMSUNG ELECTRONICS CO., LTD.**, Gyeonggi-Do (KR)

(**) Term: **15 Years**

(21) Appl. No.: **29/595,208**

(22) Filed: **Feb. 27, 2017**

(30) **Foreign Application Priority Data**

Dec. 20, 2016 (KR) 30-2016-0061990

(51) **LOC (11) Cl.** **15-05**

(52) **U.S. Cl.**
USPC **D32/21**

(58) **Field of Classification Search**
USPC D32/17, 21, 23, 24, 31
CPC G06N 3/008; A47L 9/2857; A47L 9/2842;
E04H 4/1654
See application file for complete search history.

(56) **References Cited**

U.S. PATENT DOCUMENTS

D548,411 S * 8/2007 Schroter D32/21
D551,815 S * 9/2007 Schroeter D32/21

D593,265 S * 5/2009 Carr D32/21
D625,059 S * 10/2010 Morenstein D32/21
D625,477 S * 10/2010 Morenstein D32/21
D691,337 S * 10/2013 Kim D32/21
D720,103 S * 12/2014 Haug D32/21
D743,647 S * 11/2015 Heck D32/21
D745,757 S * 12/2015 Choi D32/21
D746,005 S * 12/2015 Cheon D32/21
D751,777 S * 3/2016 Cheon D32/21
D778,514 S * 2/2017 Park D32/21
D785,879 S * 5/2017 Bu D32/21

* cited by examiner

Primary Examiner — Ruth McInroy

(74) *Attorney, Agent, or Firm* — Cantor Colburn LLP

(57) **CLAIM**

The ornamental design for a robot cleaner, as shown and described.

DESCRIPTION

FIG. 1 is a front perspective view of a robot cleaner, showing our new design;
FIG. 2 is a front view thereof;
FIG. 3 is a rear view thereof;
FIG. 4 is a left side view thereof;
FIG. 5 is a right side view thereof;
FIG. 6 is a top view thereof;
FIG. 7 is a bottom view thereof;
FIG. 8 is a rear perspective view thereof; and,
FIG. 9 is a cross-sectional view taken along line 9-9 of FIG. 6.
The broken lines illustrating portions of the robot cleaner form no part of the claimed design.

1 Claim, 7 Drawing Sheets

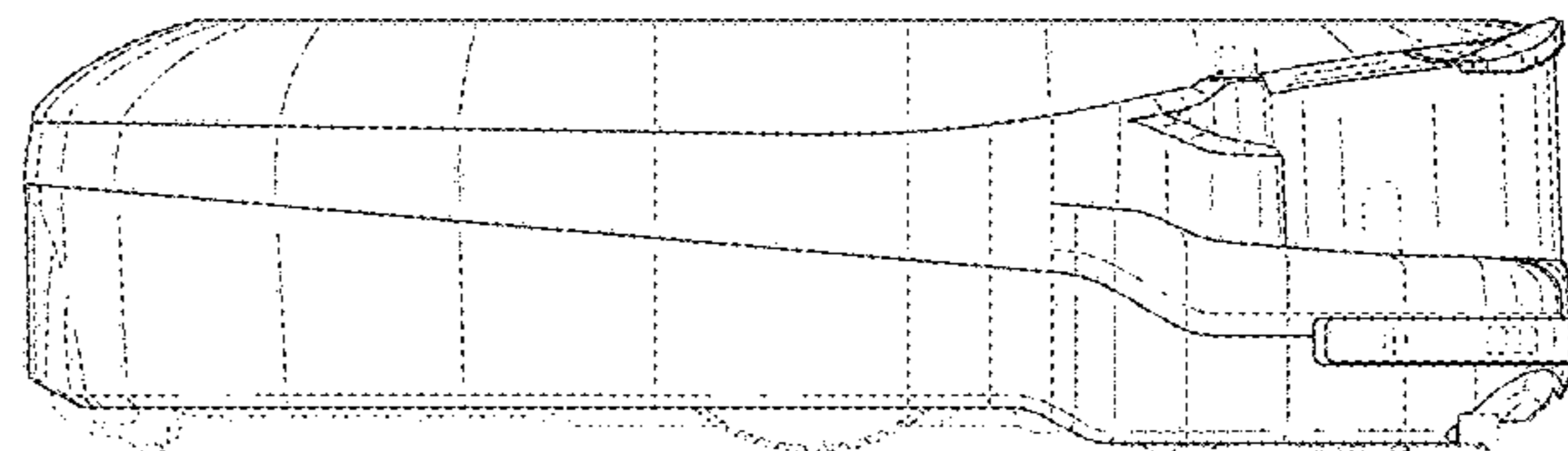
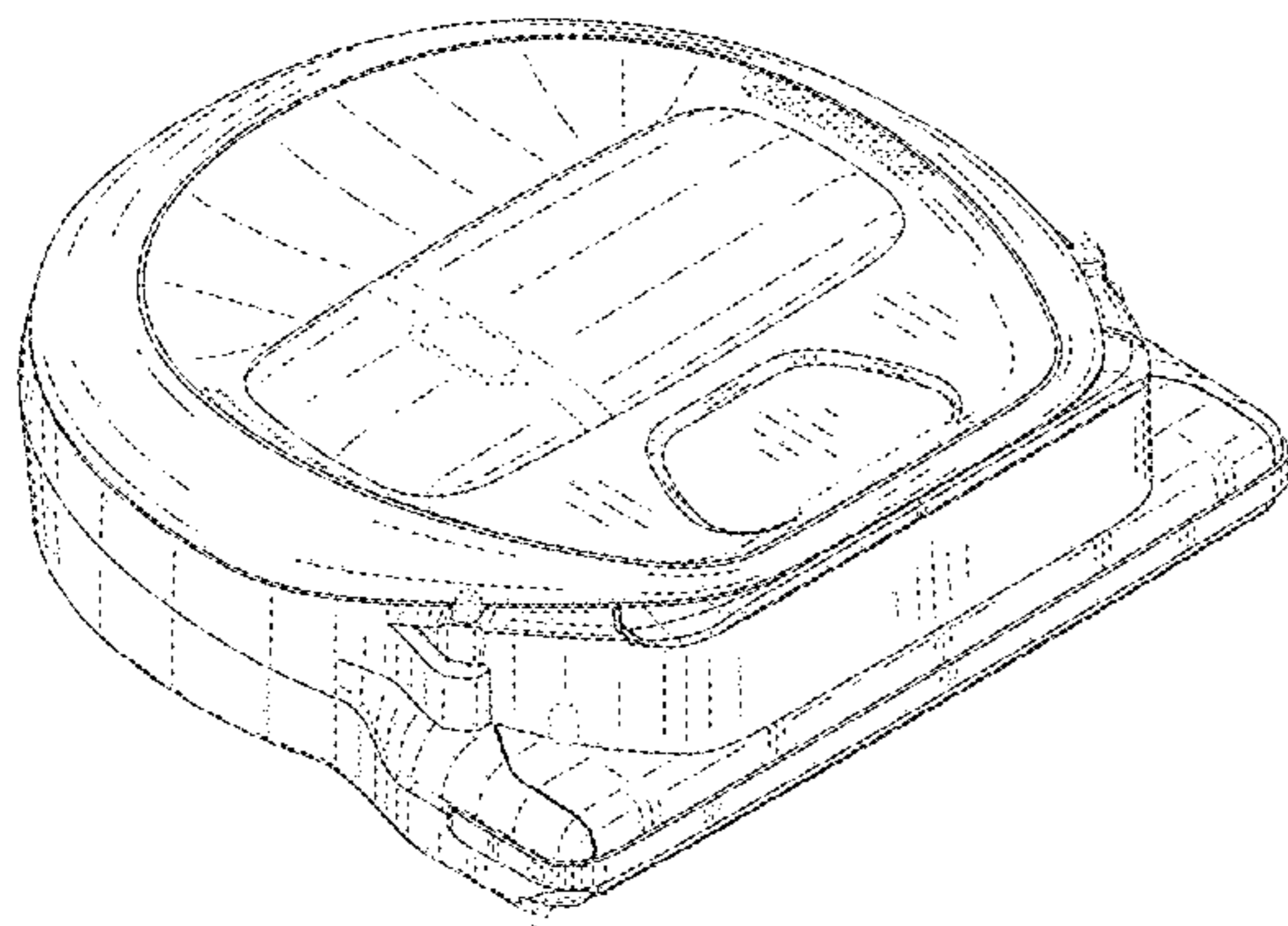


FIG. 1

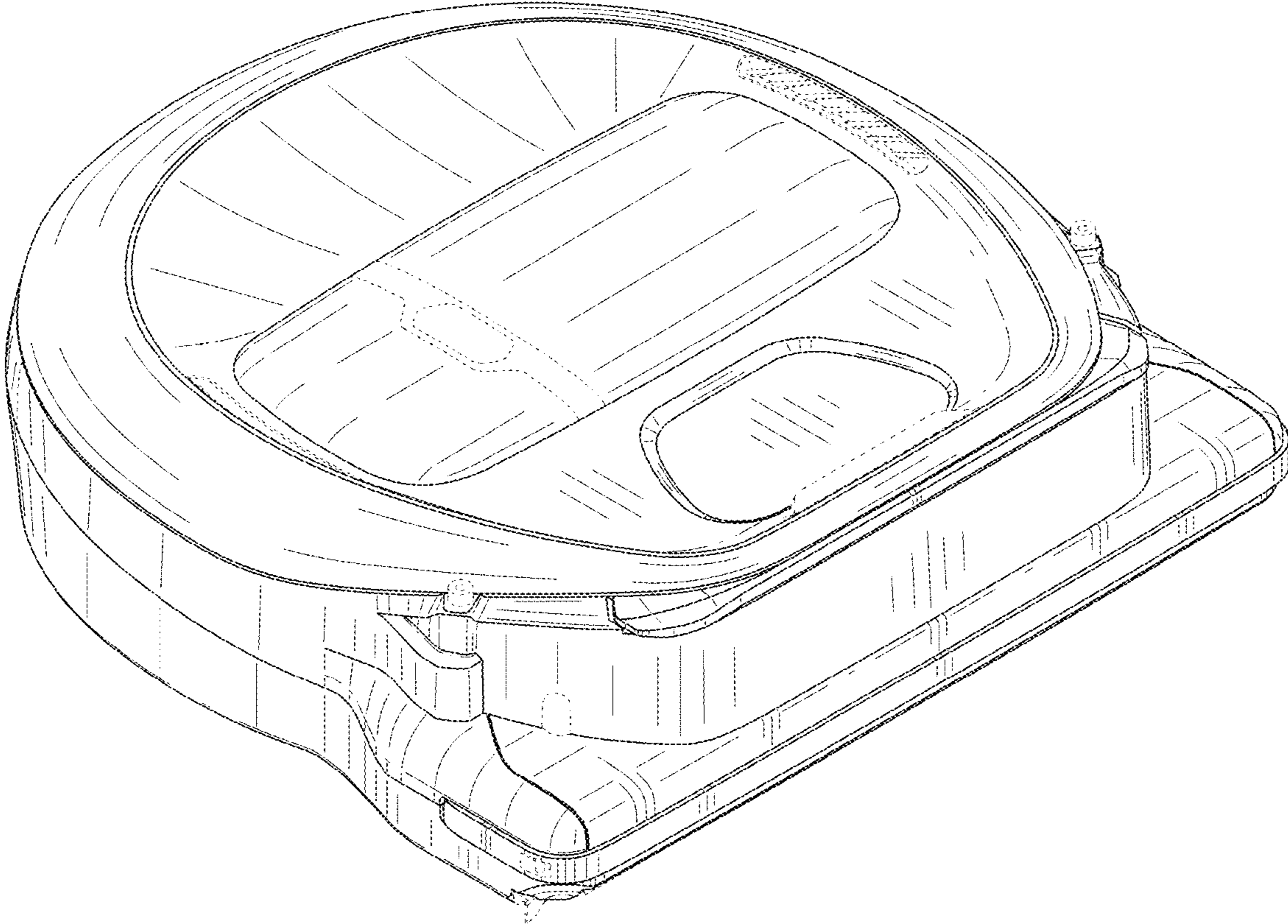


FIG. 2

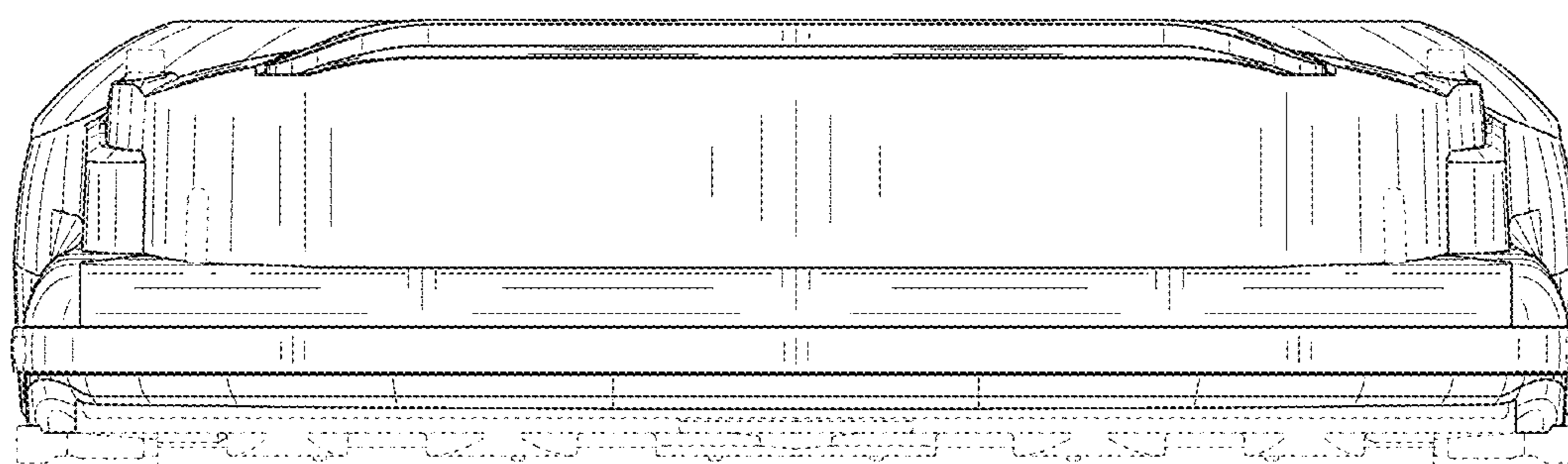


FIG. 3

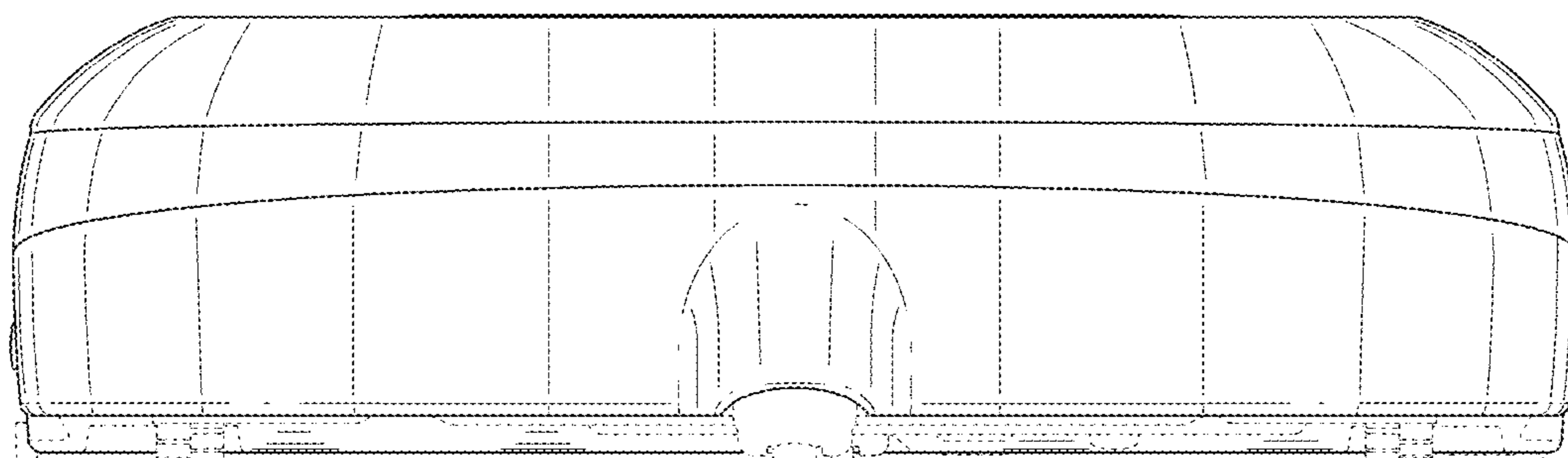


FIG. 4

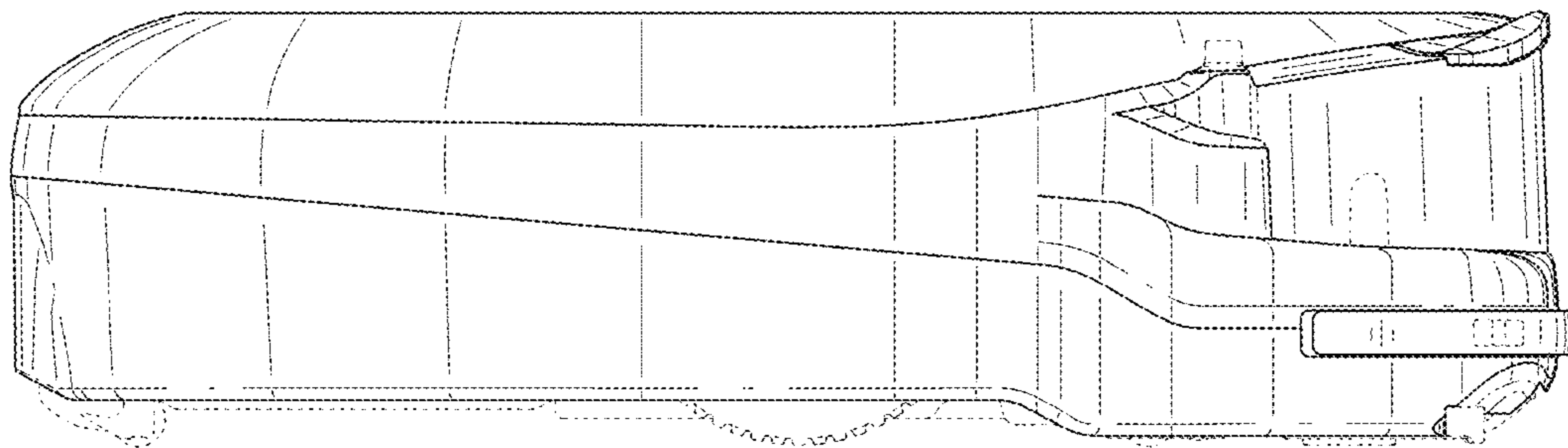


FIG. 5

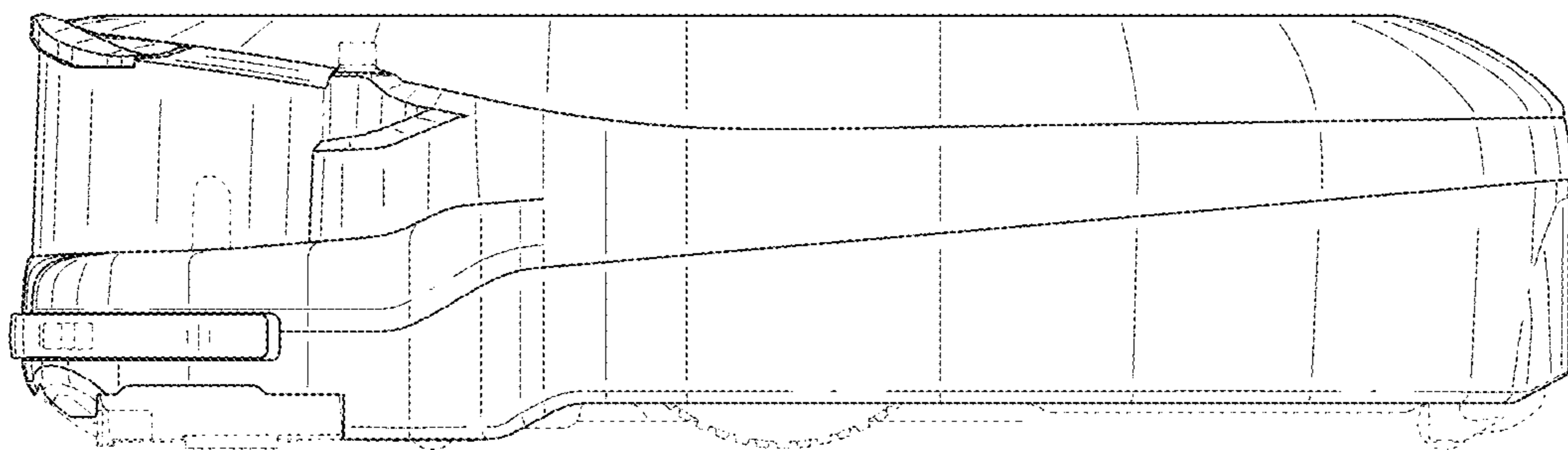


FIG. 6

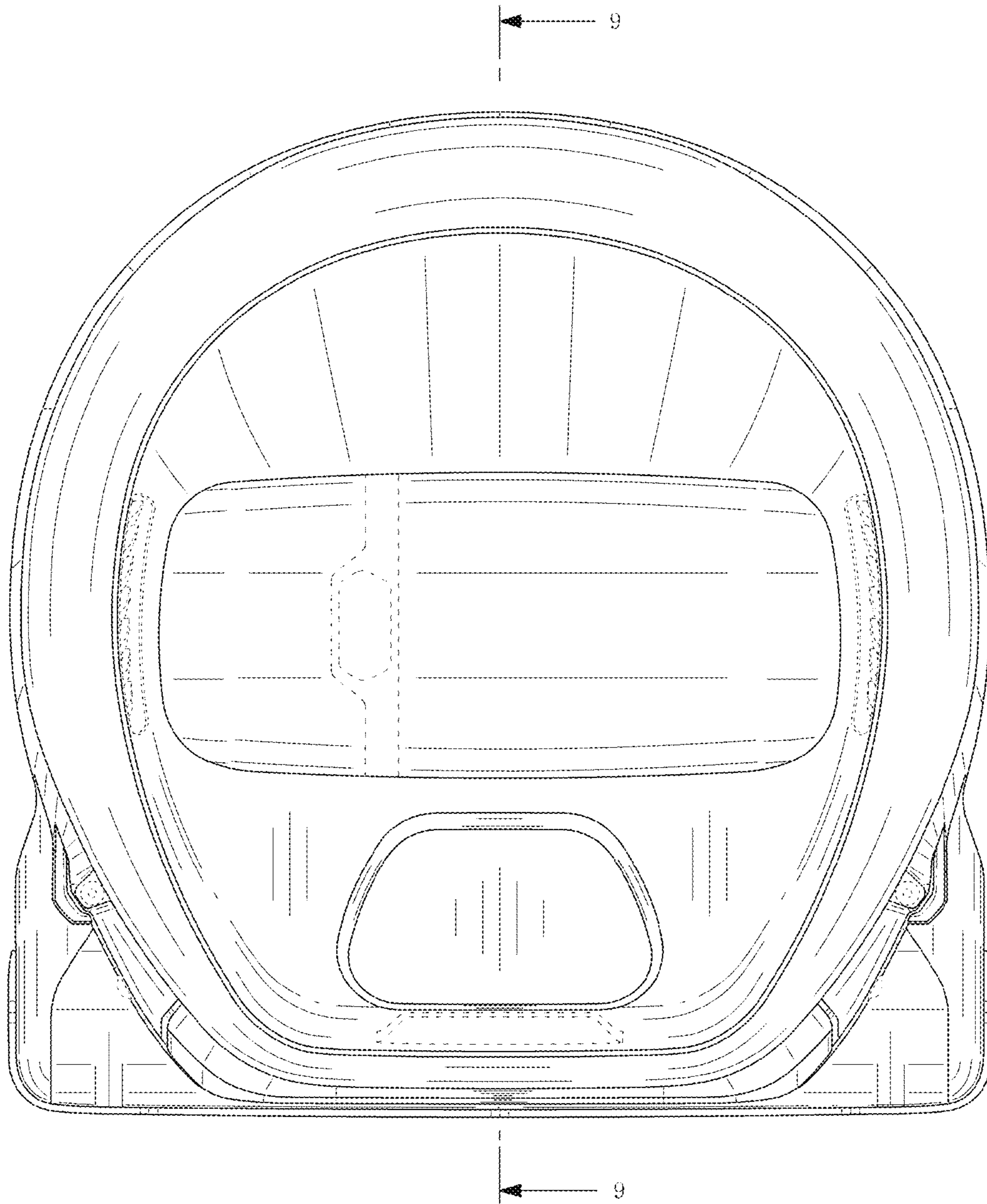


FIG. 7

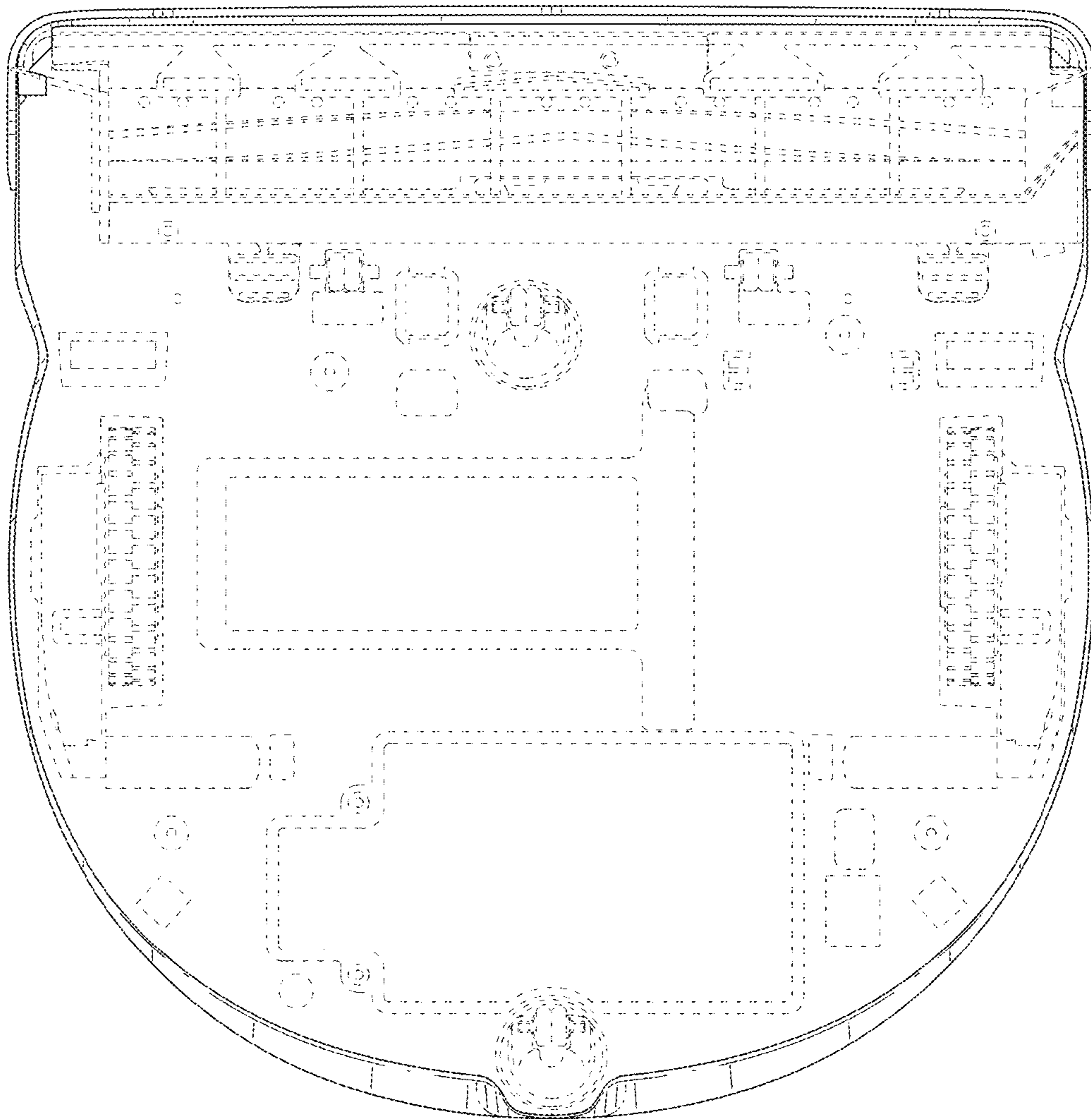


FIG. 8

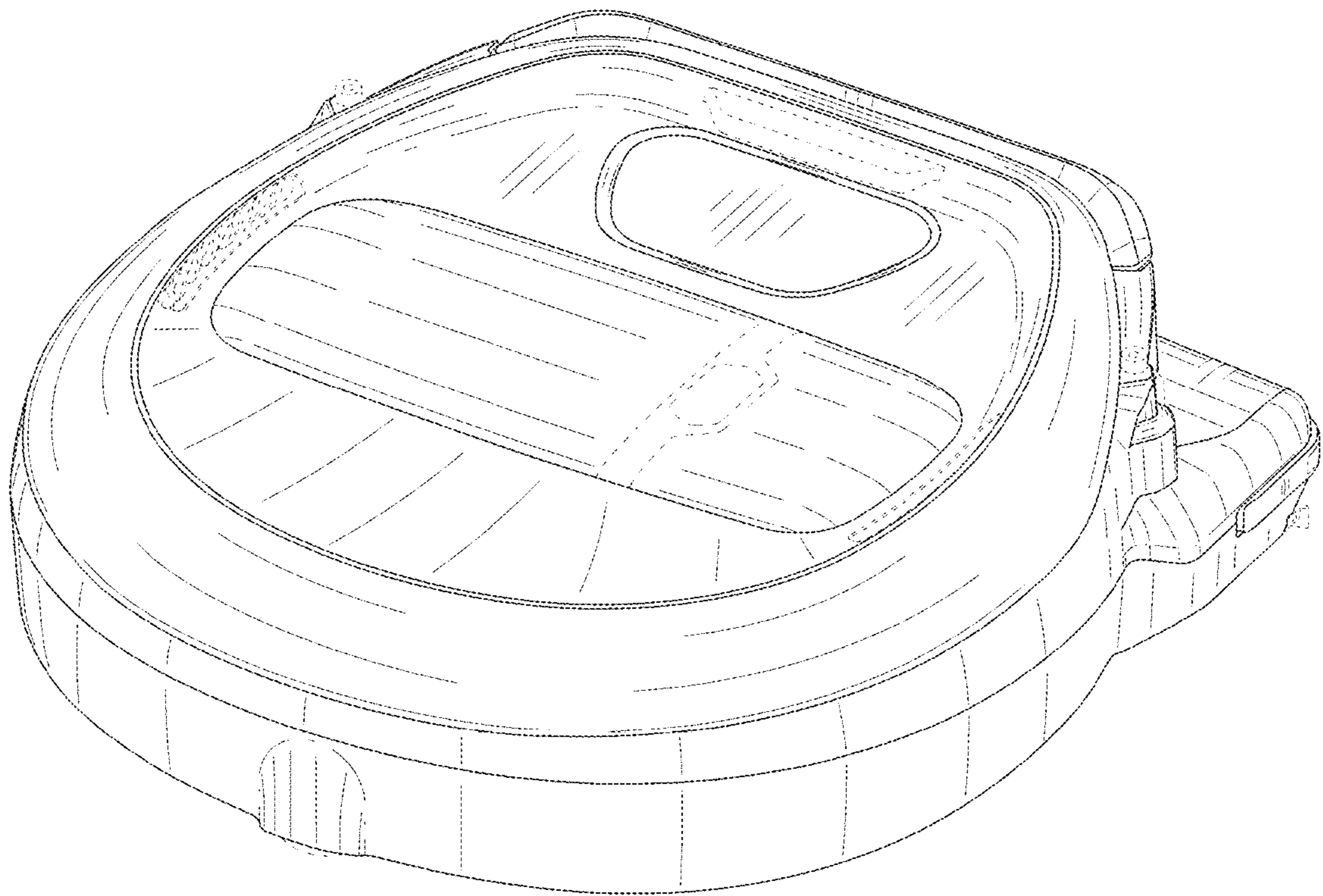


FIG. 9

