



US00D808095S

(12) **United States Design Patent** (10) **Patent No.:** **US D808,095 S**  
**Sebor et al.** (45) **Date of Patent:** **\*\* Jan. 16, 2018**

(54) **SWIMMING POOL CLEANER** 5,033,149 A \* 7/1991 Russo ..... E04H 4/1636  
15/1.7  
(71) Applicants: **Pavel Sebor**, Heathrow, FL (US); 5,097,559 A 3/1992 Brunt et al.  
**Robert Sebor**, Sanford, FL (US) 5,351,355 A 10/1994 Chiniara  
D376,450 S \* 12/1996 Campbell ..... D32/1  
5,768,734 A \* 6/1998 Dietrich ..... E04H 4/1618  
15/1.7  
(72) Inventors: **Pavel Sebor**, Heathrow, FL (US); 5,933,899 A \* 8/1999 Campbell ..... E04H 4/1654  
**Robert Sebor**, Sanford, FL (US) 15/1.7  
(\*\*) Term: **14 Years** D417,047 S 11/1999 Tsuda  
D418,640 S 1/2000 Veloskey et al.  
(21) Appl. No.: **29/506,215** D421,512 S \* 3/2000 Campbell ..... D32/1  
(22) Filed: **Oct. 14, 2014** (Continued)

**Related U.S. Application Data**

(63) Continuation-in-part of application No. 14/017,758,  
filed on Sep. 4, 2013, now Pat. No. 9,032,575.  
(51) **LOC (11) Cl.** ..... **15-05**  
(52) **U.S. Cl.**  
USPC ..... **D32/21**  
(58) **Field of Classification Search**  
USPC ..... D32/1, 15, 21, 25  
CPC ..... A47L 9/02; A47L 9/2842; A47L 9/0461;  
E04H 4/1654; E04H 4/169; E04H 4/1609;  
E04H 4/1618; E04H 4/1636; E04H 4/16;  
E01H 1/0836  
See application file for complete search history.

**References Cited**

**U.S. PATENT DOCUMENTS**

(56) 3,074,087 A \* 1/1963 Drennan ..... E04H 4/1636  
15/1.7  
3,795,027 A \* 3/1974 Lindberg, Jr. .... A47L 9/06  
15/1.7  
3,950,809 A 4/1976 Schatzmann  
4,254,525 A \* 3/1981 Combest ..... E04H 4/1636  
15/1.7  
4,498,206 A \* 2/1985 Braukmann ..... E04H 4/1636  
15/1.7  
4,722,110 A 2/1988 Chandler  
5,001,800 A \* 3/1991 Parenti ..... E04H 4/1654  
15/1.7

**FOREIGN PATENT DOCUMENTS**

FR 2584442 A 1/1987  
*Primary Examiner* — T. Chase Nelson  
*Assistant Examiner* — Michelle E Wilson  
(74) *Attorney, Agent, or Firm* — Christopher M. Ramsey;  
GrayRobinson, P.A.

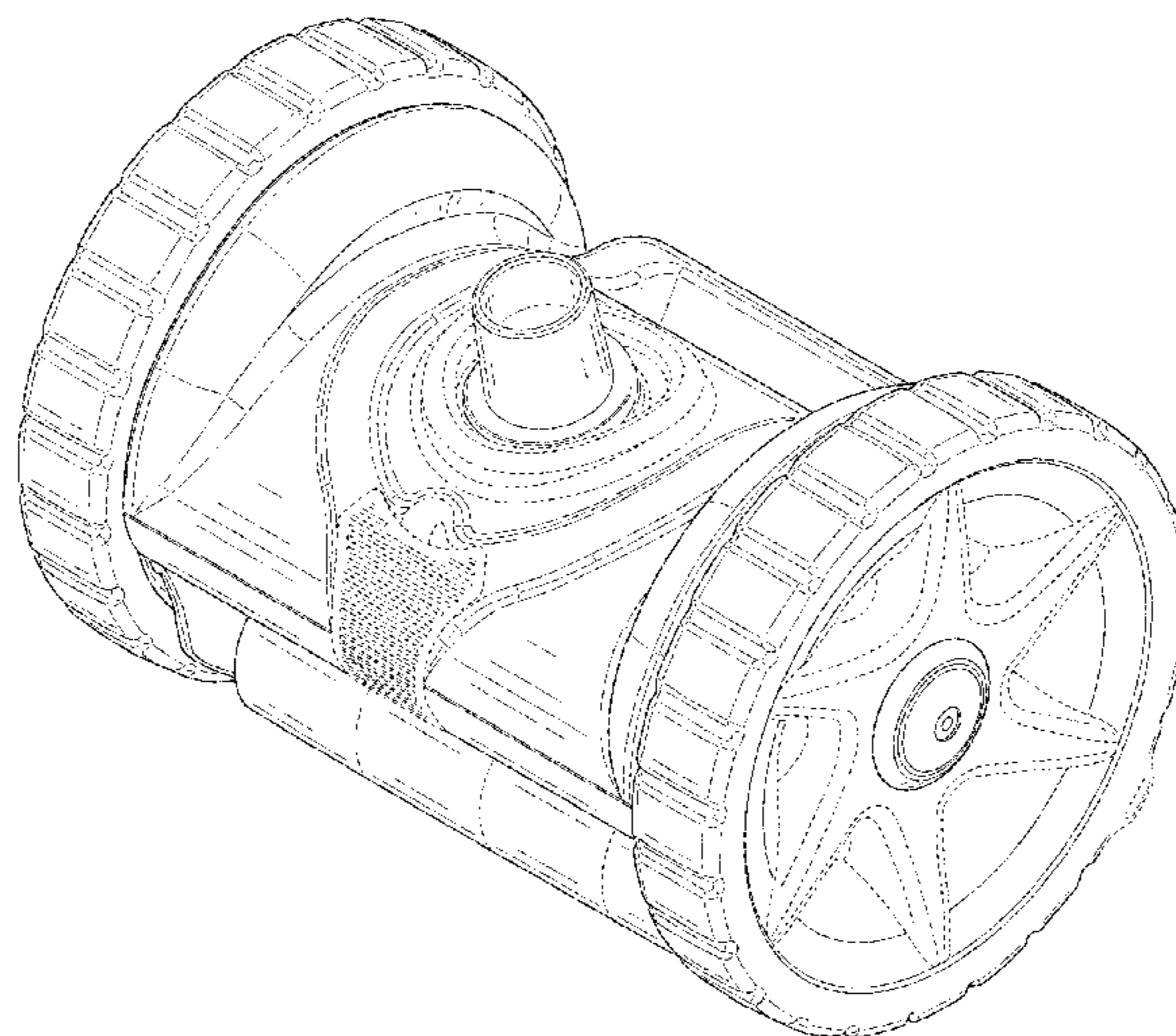
(57) **CLAIM**

The ornamental design for a swimming pool cleaner, as shown and described.

**DESCRIPTION**

FIG. 1 is a front top right perspective view of a swimming pool cleaner showing our new design; FIG. 2 is a left top rear perspective view thereof; FIG. 3 is a bottom rear perspective view thereof; FIG. 4 is a front elevation view thereof; FIG. 5 is a rear elevation view thereof; FIG. 6 is a top view thereof; FIG. 7 is a bottom view thereof; and, FIG. 8 is a right side view thereof, the left side view being a mirror image thereof. The subject matter shown in broken lines in the drawings represents unclaimed features.

**1 Claim, 8 Drawing Sheets**



(56)

References Cited

U.S. PATENT DOCUMENTS

D429,393 S 8/2000 Rief et al.  
 6,131,227 A 10/2000 Rief et al.  
 D433,545 S 11/2000 Hollinger et al.  
 6,212,725 B1 4/2001 Porat  
 D443,737 S \* 6/2001 Rief ..... D32/15  
 D444,280 S 6/2001 Rief et al.  
 D445,225 S 7/2001 Schaub  
 D456,101 S 4/2002 Lee  
 D469,589 S \* 1/2003 Wichmann ..... D32/15  
 D471,330 S \* 3/2003 Campbell ..... D32/21  
 6,665,900 B2 12/2003 Wichmann et al.  
 D489,150 S \* 4/2004 Campbell ..... D32/15  
 6,782,578 B1 8/2004 Rief et al.  
 6,854,148 B1 2/2005 Rief et al.  
 6,886,205 B1 5/2005 Pichon  
 6,954,960 B2 10/2005 Pichon  
 D521,696 S 5/2006 Choi  
 7,293,314 B2 11/2007 Henkin et al.  
 D575,915 S \* 8/2008 Dreyer ..... D32/15  
 D580,114 S \* 11/2008 Rummel ..... D32/15  
 7,520,282 B2 4/2009 Stoltz  
 D594,610 S \* 6/2009 Klimas ..... D32/21  
 D599,967 S \* 9/2009 Blanc-Tailleur ..... D32/1  
 7,805,792 B2 10/2010 Roumagnac  
 7,849,547 B2 12/2010 Erlich et al.  
 7,945,981 B2 5/2011 Lapping

D670,462 S 11/2012 Mastio et al.  
 8,307,485 B2 \* 11/2012 Sumonthee ..... E04H 4/1654  
 15/1.7  
 8,341,789 B2 1/2013 Garti  
 8,402,585 B2 3/2013 Rief et al.  
 8,424,142 B2 4/2013 Garti  
 D684,738 S \* 6/2013 Richiuso ..... D32/21  
 8,474,081 B2 7/2013 Stoltz  
 8,784,652 B2 \* 7/2014 Rief ..... E04H 4/1654  
 15/1.7  
 8,869,337 B2 \* 10/2014 Sumonthee ..... E04H 4/1654  
 15/1.7  
 D721,460 S \* 1/2015 Hanan ..... D32/21  
 D728,873 S \* 5/2015 Renaud ..... D32/21  
 D730,598 S \* 5/2015 Meyer ..... D32/15  
 9,032,575 B2 \* 5/2015 Sebor ..... E04H 4/1654  
 15/1.7  
 D733,374 S \* 6/2015 Richiuso ..... D32/21  
 D747,573 S \* 1/2016 Richiuso ..... D32/21  
 D747,574 S \* 1/2016 Richiuso ..... D32/21  
 D787,760 S \* 5/2017 Mainville ..... D32/21  
 D787,761 S \* 5/2017 Mainville ..... D32/21  
 2009/0229061 A1 9/2009 Stoltz et al.  
 2011/0154585 A1 6/2011 Mastio et al.  
 2011/0154586 A1 6/2011 Mastio et al.  
 2013/0031734 A1 2/2013 Porat et al.  
 2013/0152316 A1 6/2013 Rief et al.

\* cited by examiner

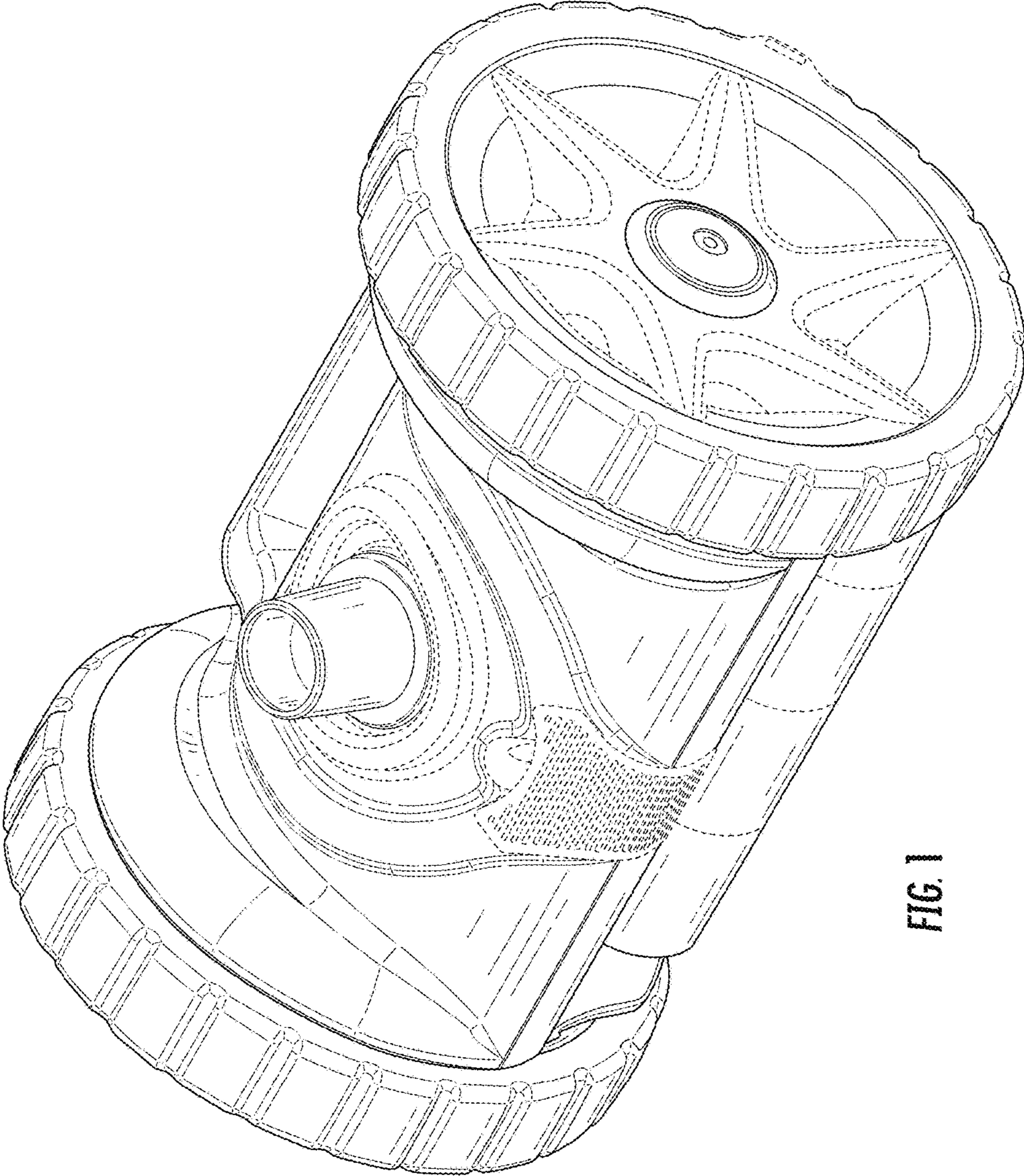


FIG. 1

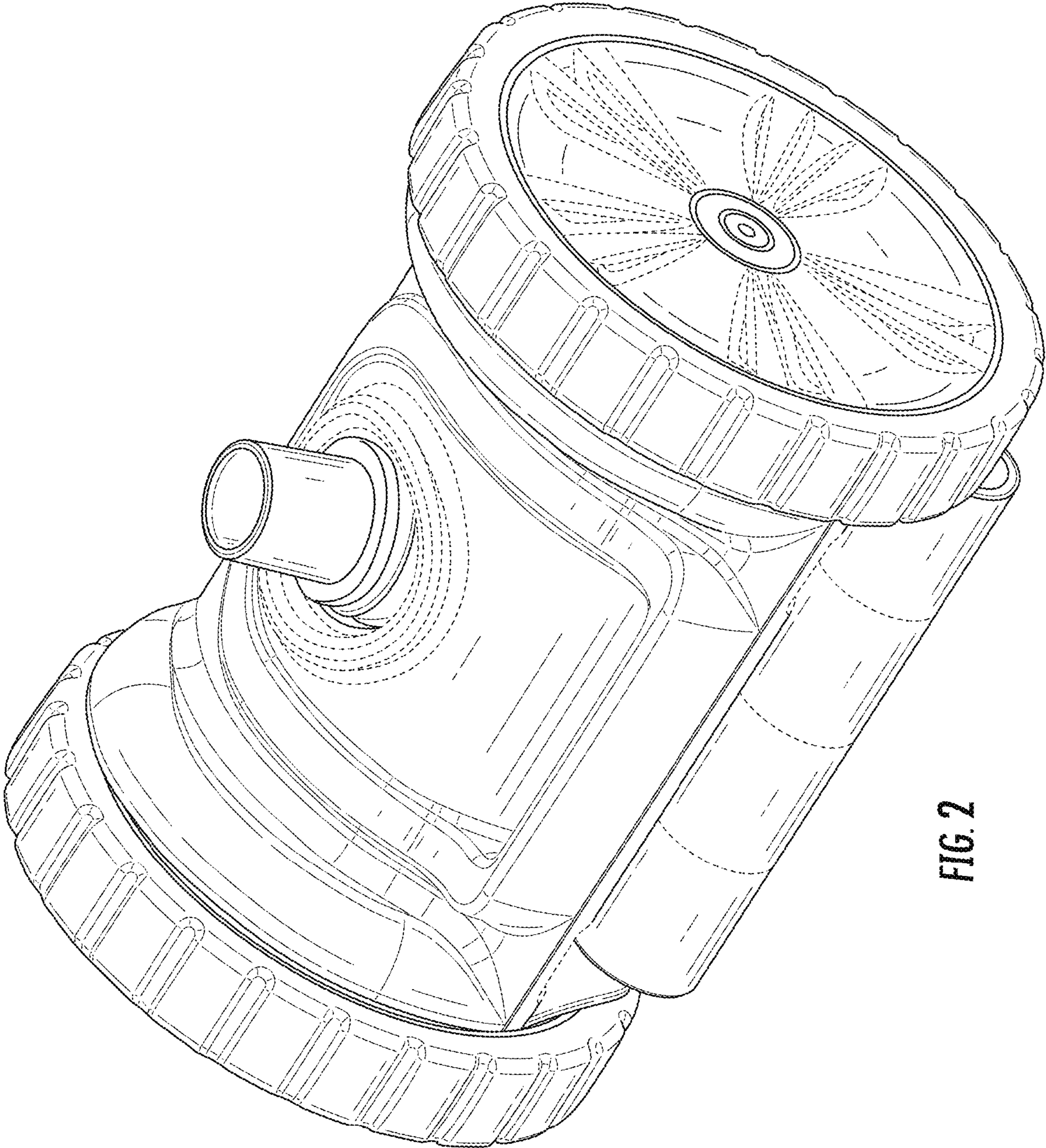


FIG. 2

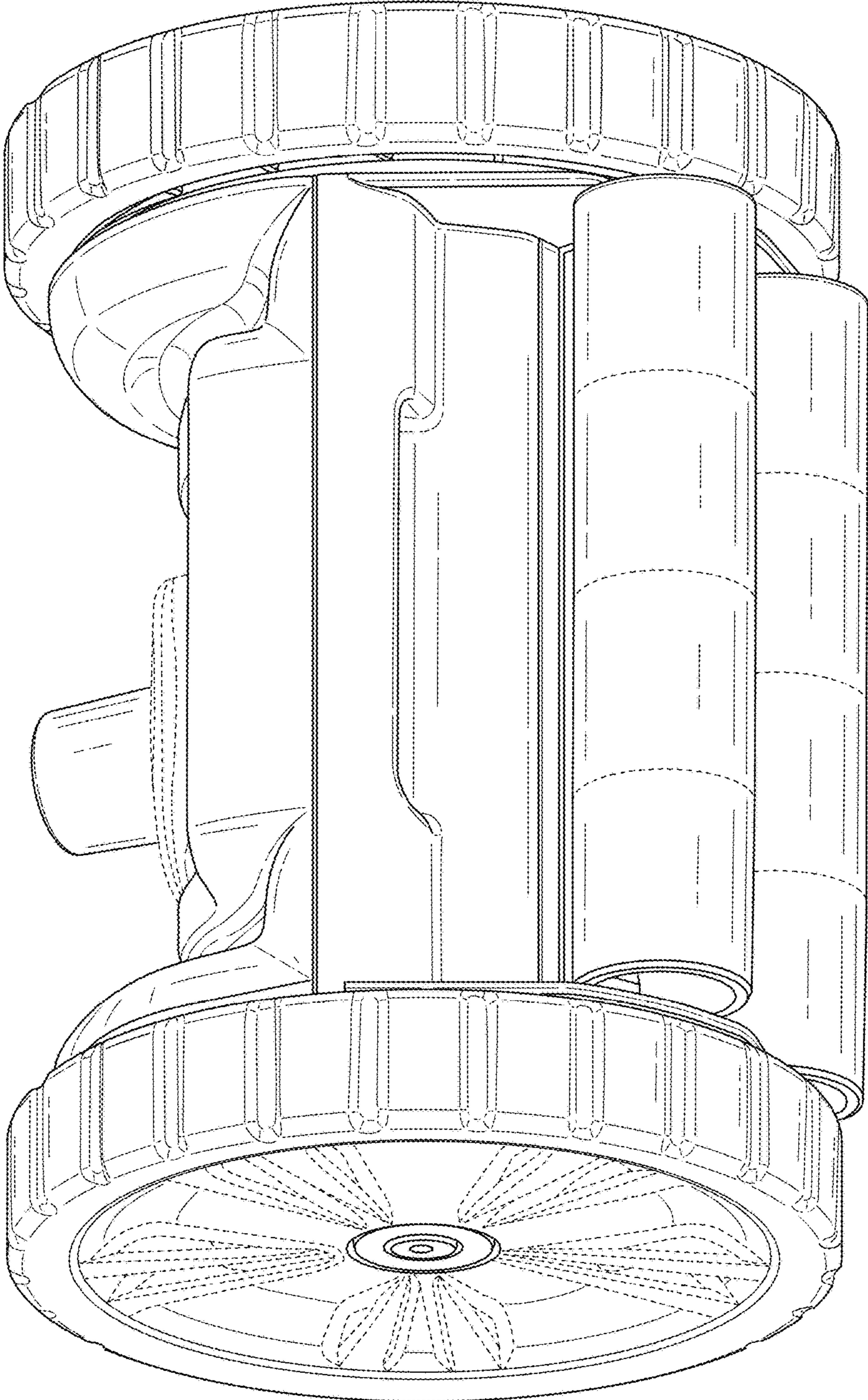


FIG. 3

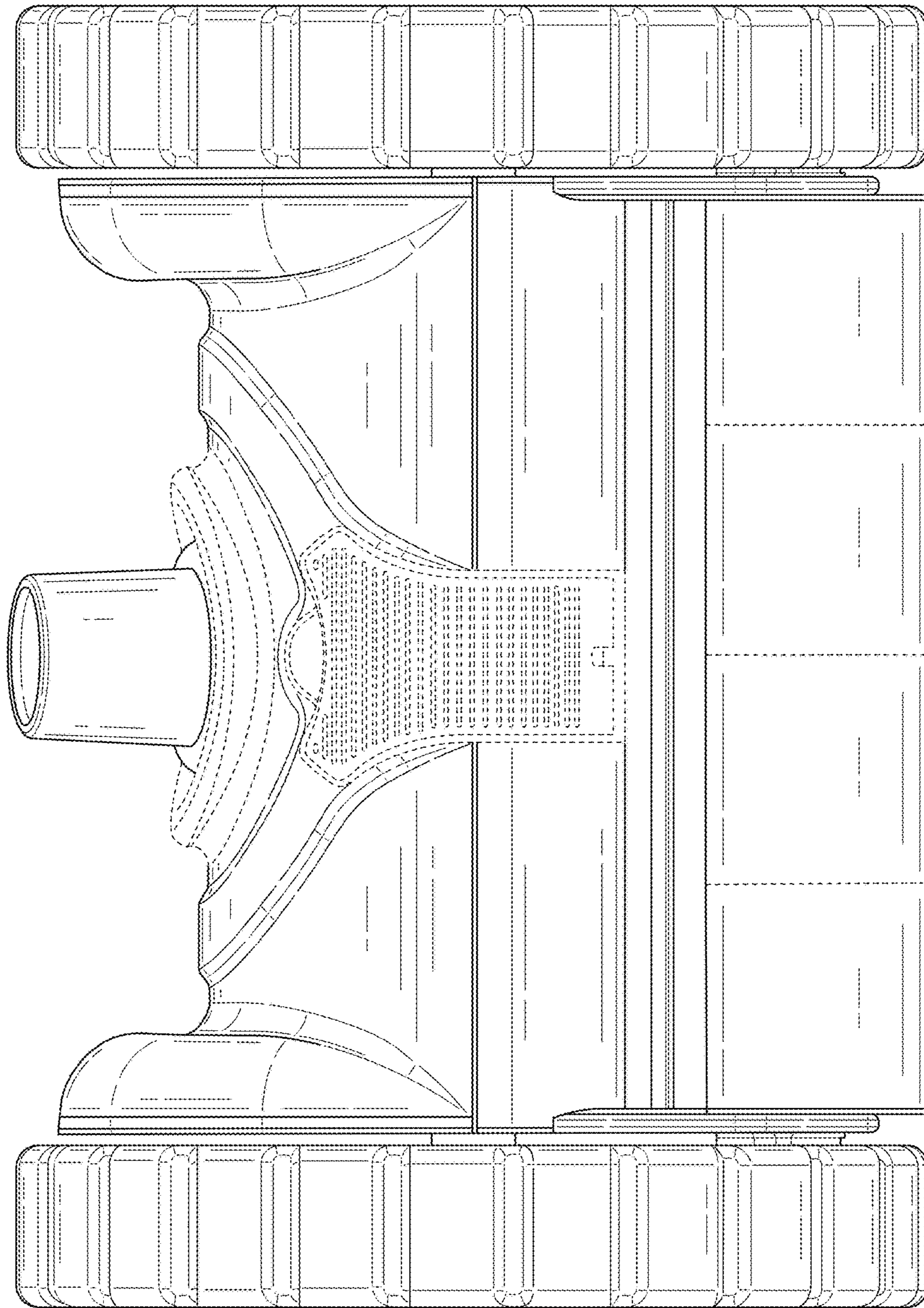


FIG. 4

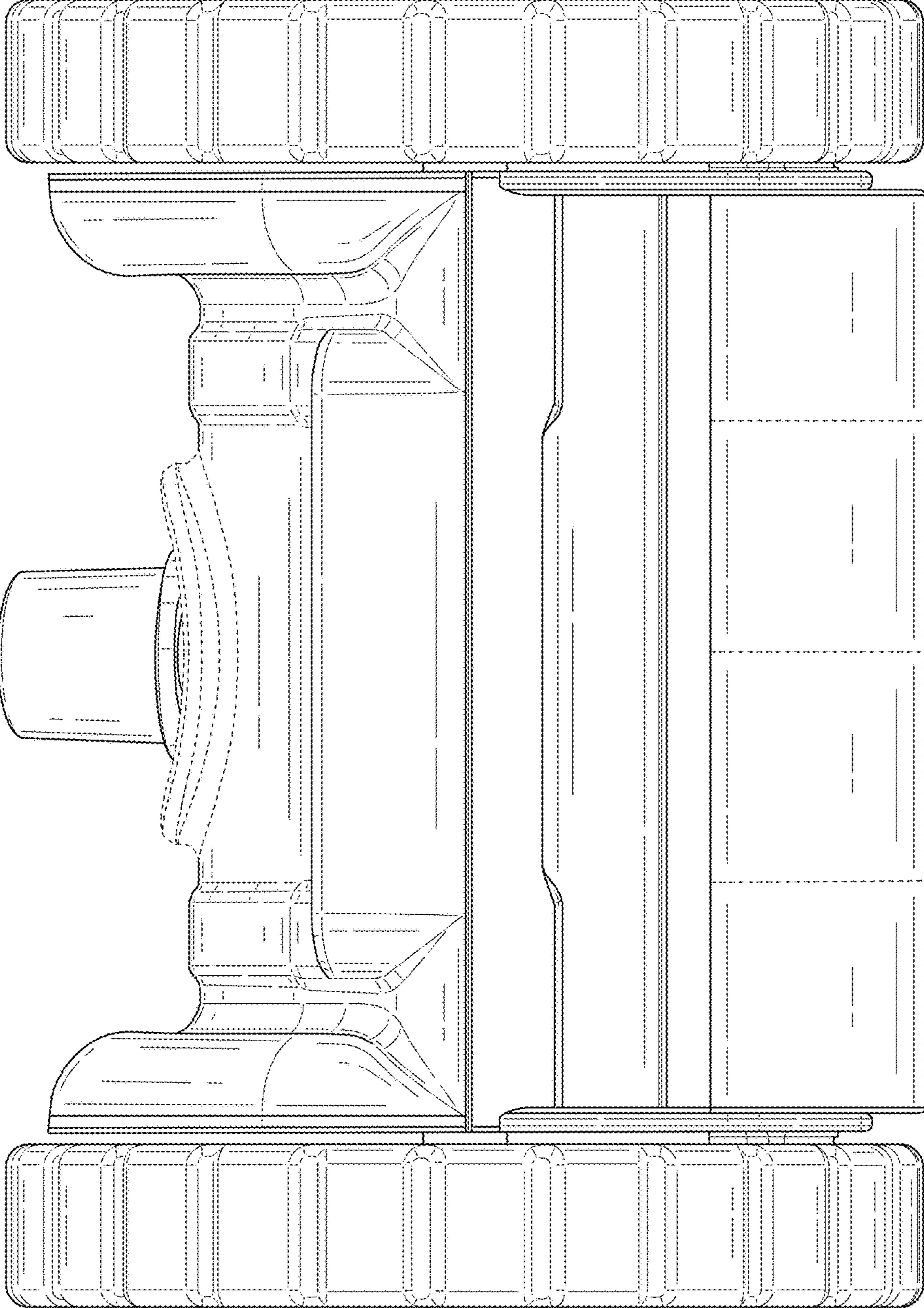


FIG. 5

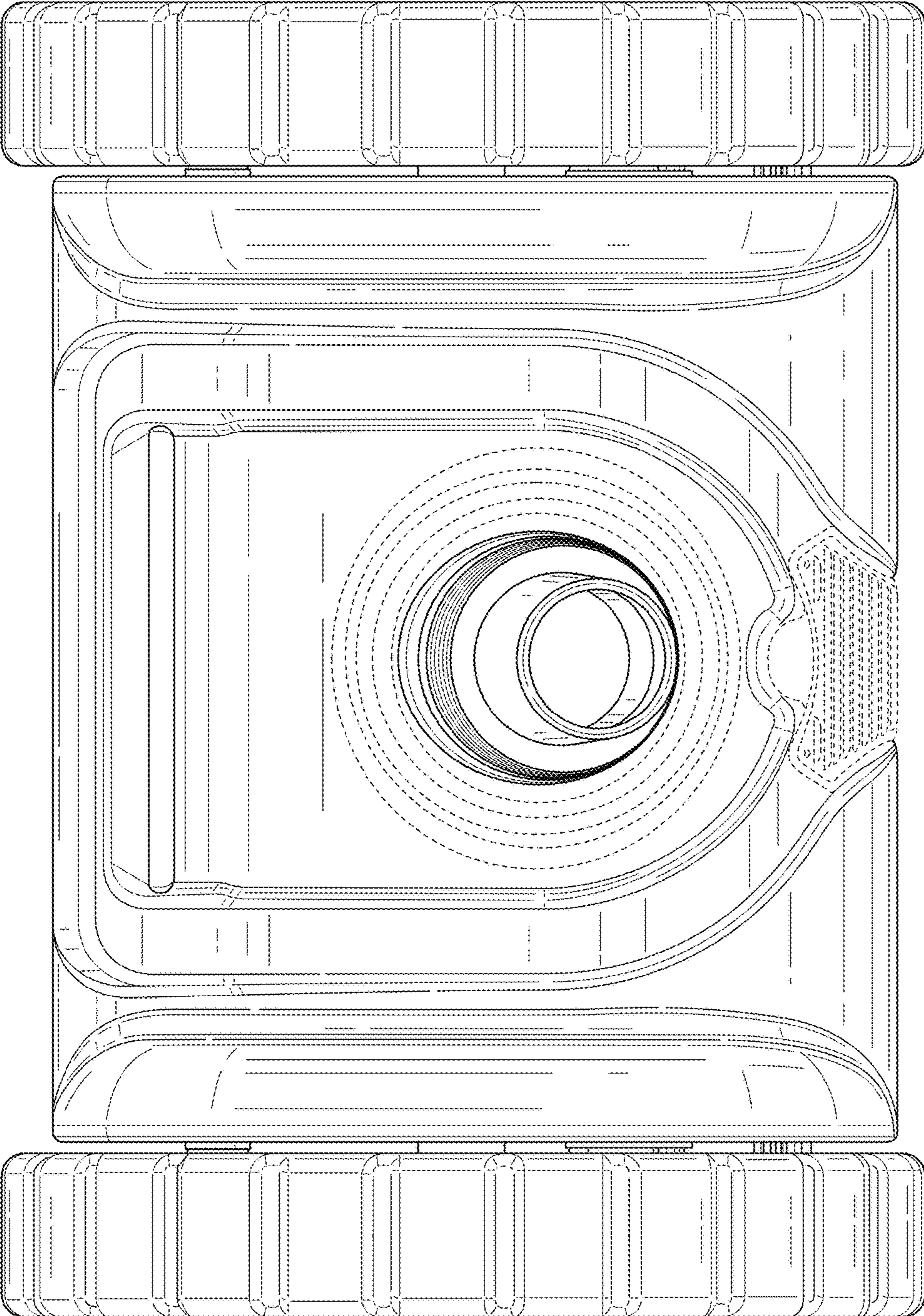


FIG. 6



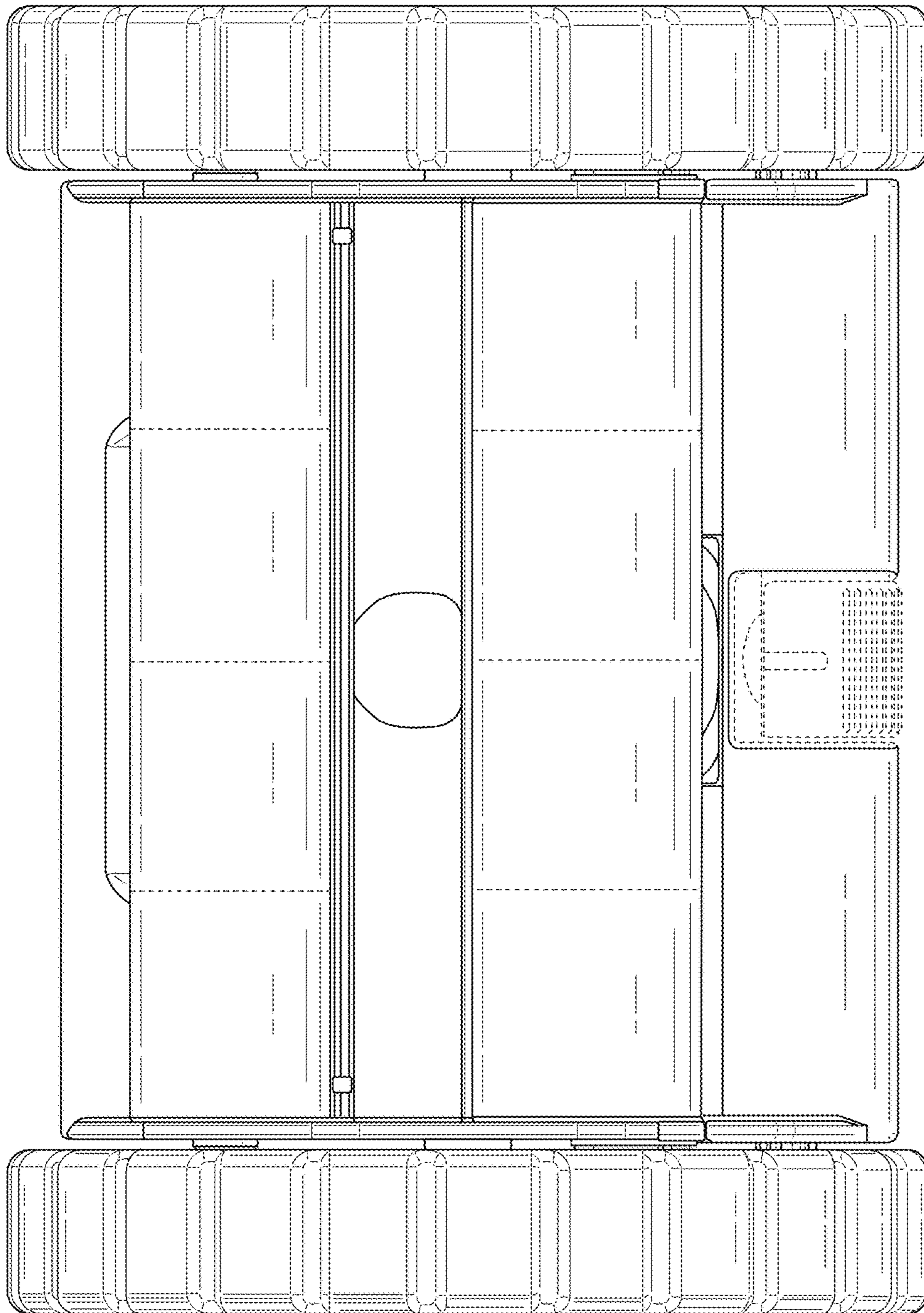


FIG. 7

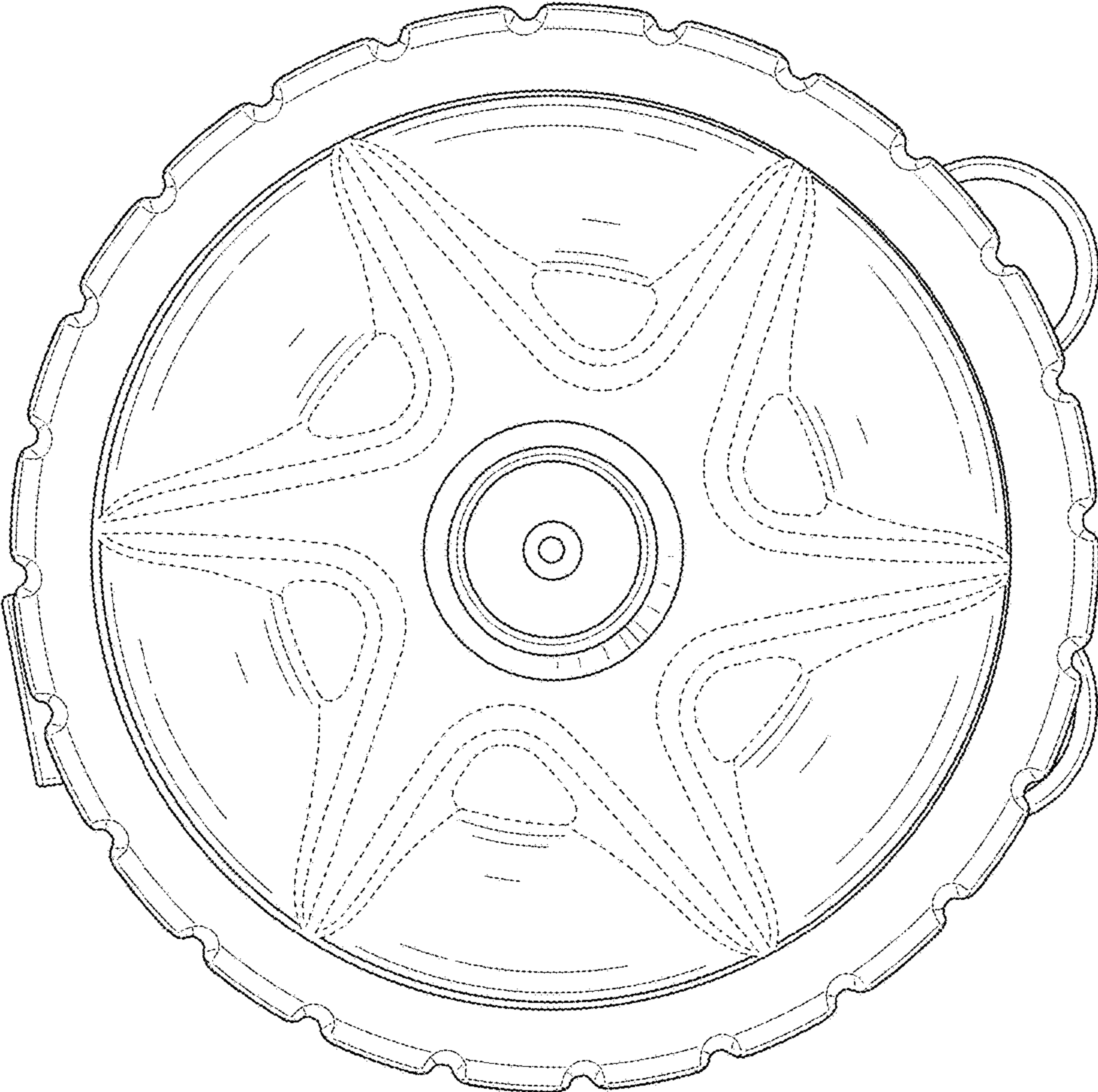


FIG. 8