



US00D808093S

(12) **United States Design Patent** (10) **Patent No.:** **US D808,093 S**
Ha et al. (45) **Date of Patent:** **** Jan. 16, 2018**

(54) **WASHING MACHINE**

D06F 39/00; D06F 39/08; D06F 31/00;
B08B 3/12

(71) Applicant: **LG ELECTRONICS INC.**, Seoul
(KR)

See application file for complete search history.

(72) Inventors: **Youngsoo Ha**, Seoul (KR); **Taewoo Yoo**, Seoul (KR); **Eunyoung Chee**, Seoul (KR); **Jeaseok Seong**, Seoul (KR)

(56) **References Cited**

U.S. PATENT DOCUMENTS

(73) Assignee: **LG Electronics Inc.**, Seoul (KR)

D477,898	S	*	7/2003	Geyer	D32/6
D575,913	S	*	8/2008	Jeon	D32/6
D613,009	S	*	3/2010	DeSalvo	D32/6
D694,967	S	*	12/2013	Jeon	D32/6
D697,678	S	*	1/2014	Jeon	D32/6
D699,905	S	*	2/2014	Yeol	D32/25
D702,407	S	*	4/2014	Geyer	D32/28
D756,047	S	*	5/2016	Choi	D32/25
D770,706	S	*	11/2016	Ha	D32/6
D787,759	S	*	5/2017	Geyer	D32/6
D789,623	S	*	6/2017	Park	D32/6
D793,013	S	*	7/2017	Kang	D32/6
D794,267	S	*	8/2017	Kang	D32/6
D794,887	S	*	8/2017	Kim	D32/29.1

(**) Term: **15 Years**

(21) Appl. No.: **35/501,423**

(22) Filed: **Feb. 26, 2016**

* cited by examiner

(80) **Hague Agreement Data**

Int. Filing Date: **Feb. 26, 2016**

Int. Reg. No.: **DM/089776**

Int. Reg. Date: **Feb. 26, 2016**

Int. Reg. Pub. Date: **Aug. 26, 2016**

Primary Examiner — Richard E Chilcot

(74) *Attorney, Agent, or Firm* — Birch, Stewart, Kolasch & Birch, LLP

(30) **Foreign Application Priority Data**

Sep. 10, 2015 (KR) 30-2015-0046161

(51) **LOC (11) Cl.** **15-05**

(52) **U.S. Cl.**

USPC **D32/6**

CPC **D06F 17/04** (2013.01)

(58) **Field of Classification Search**

USPC D32/1, 5, 6, 8, 10, 11, 25, 29; 68/27, 11,
68/38, 20, 3 R

CPC D06F 17/04; D06F 37/02; D06F 37/08;
D06F 37/12; D06F 37/145; D06F 39/14;

(57) **CLAIM**

The ornamental design for a washing machine, as shown and described.

DESCRIPTION

1. Washing machine

1.1 is a perspective view of a washing machine showing our new design;

1.2 is a front elevation view thereof;

1.3 is a rear elevation view thereof;

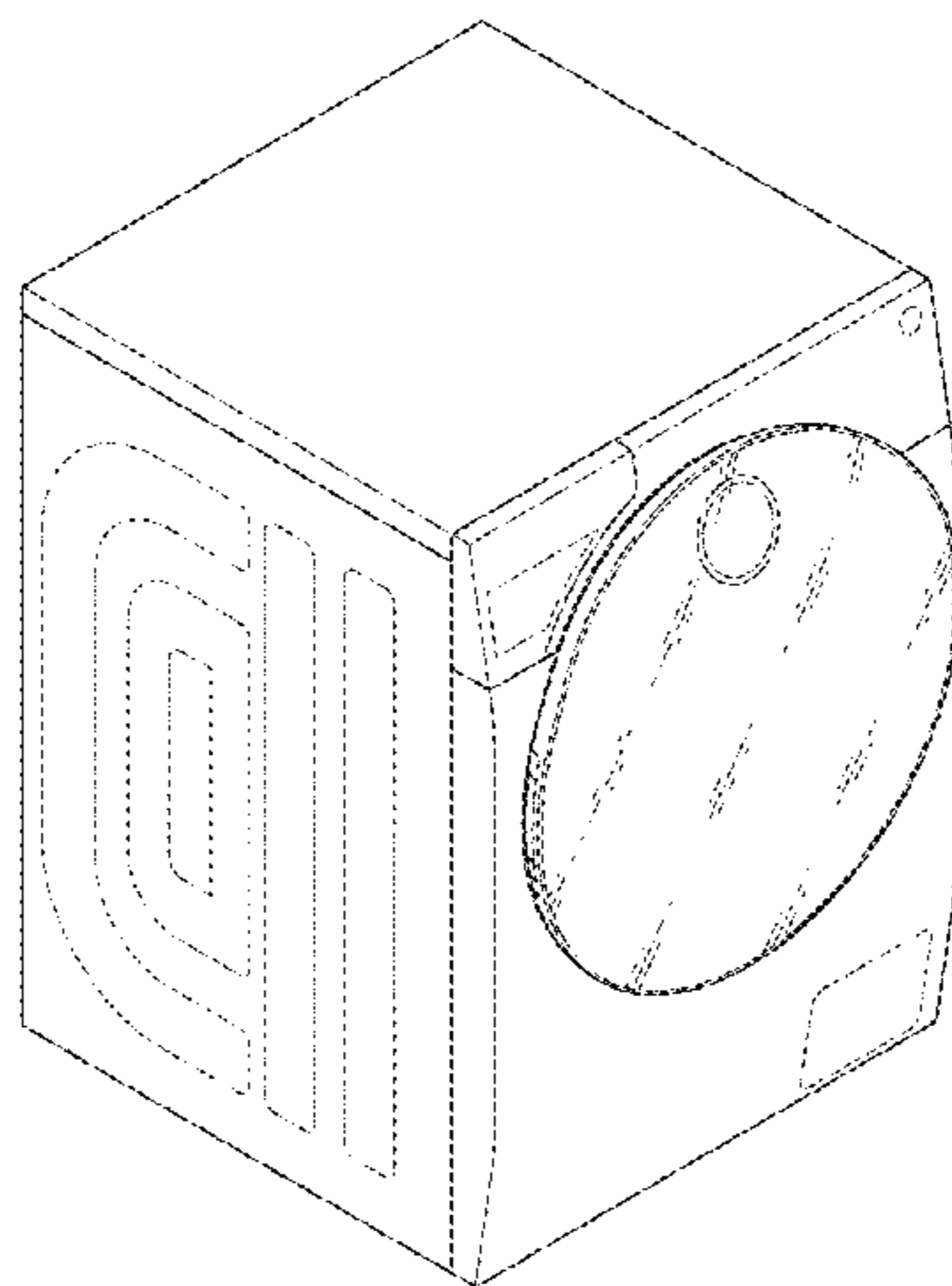
1.4 is a left-side elevation view thereof;

1.5 is a right-side elevation view thereof;

1.6 is a top plan view thereof; and

1.7 is a bottom plan view thereof.

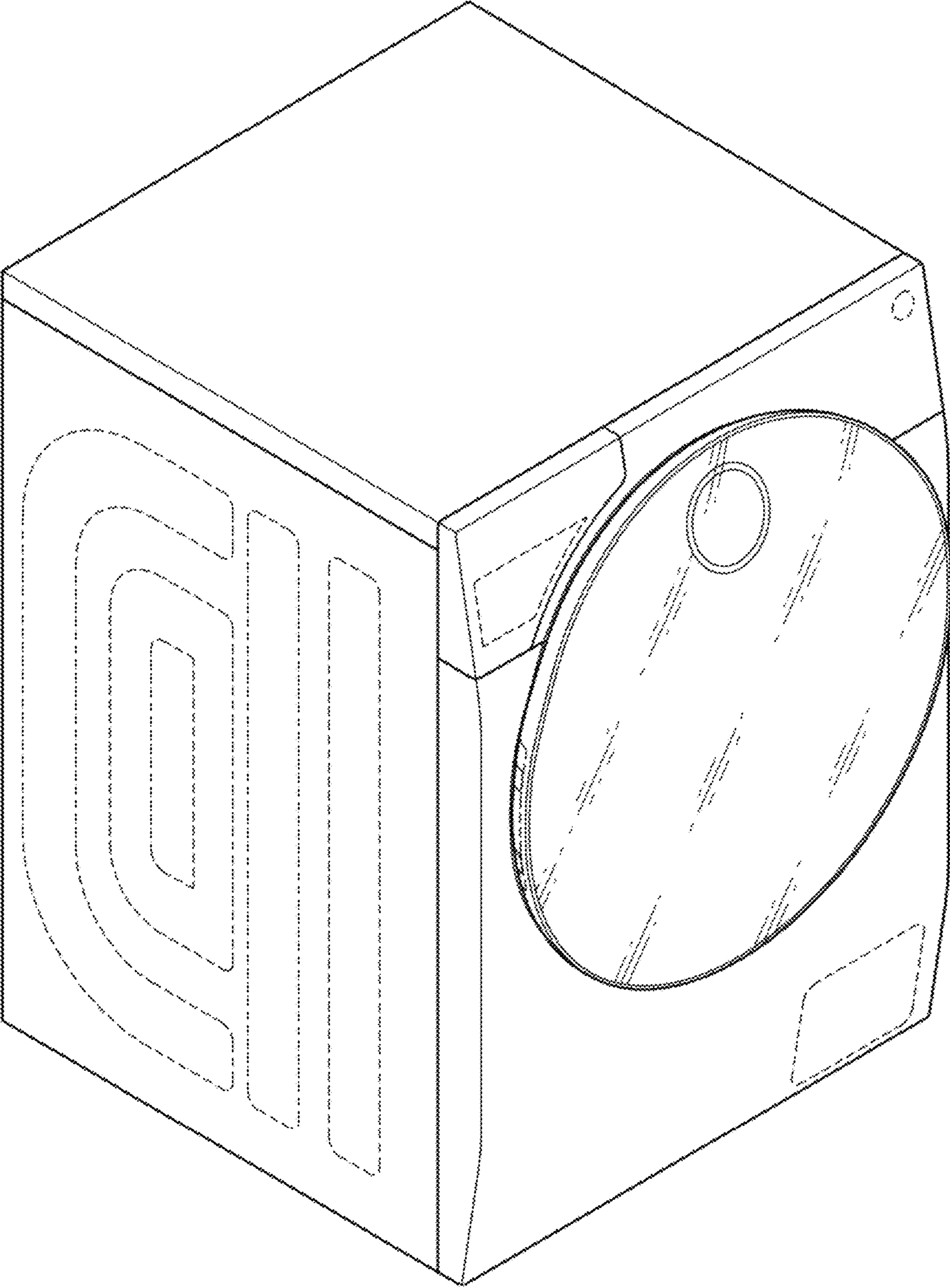
(Continued)



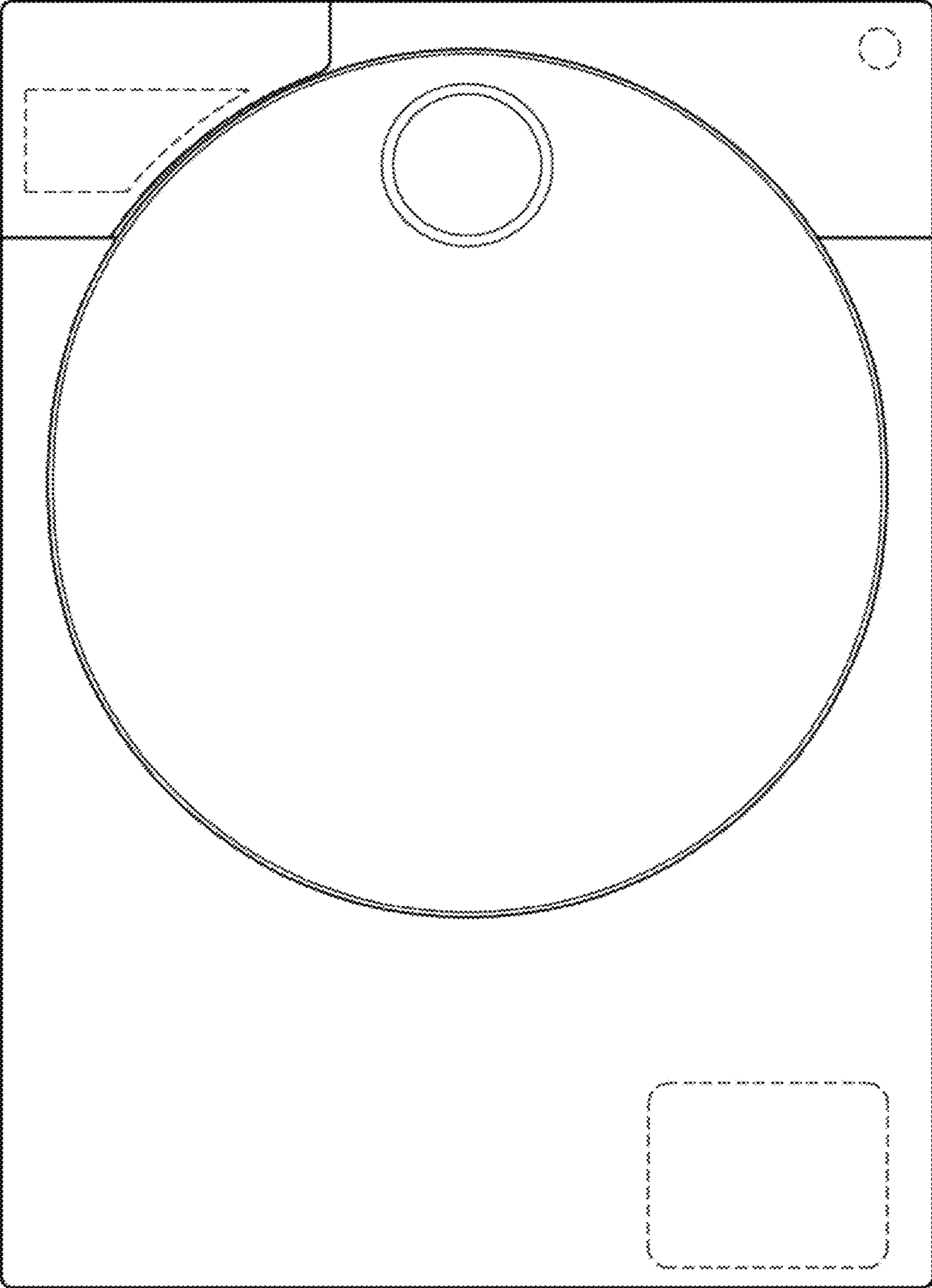
The broken lines in the figures illustrating portions of the washing machine form no part of the claimed design.

1 Claim, 7 Drawing Sheets

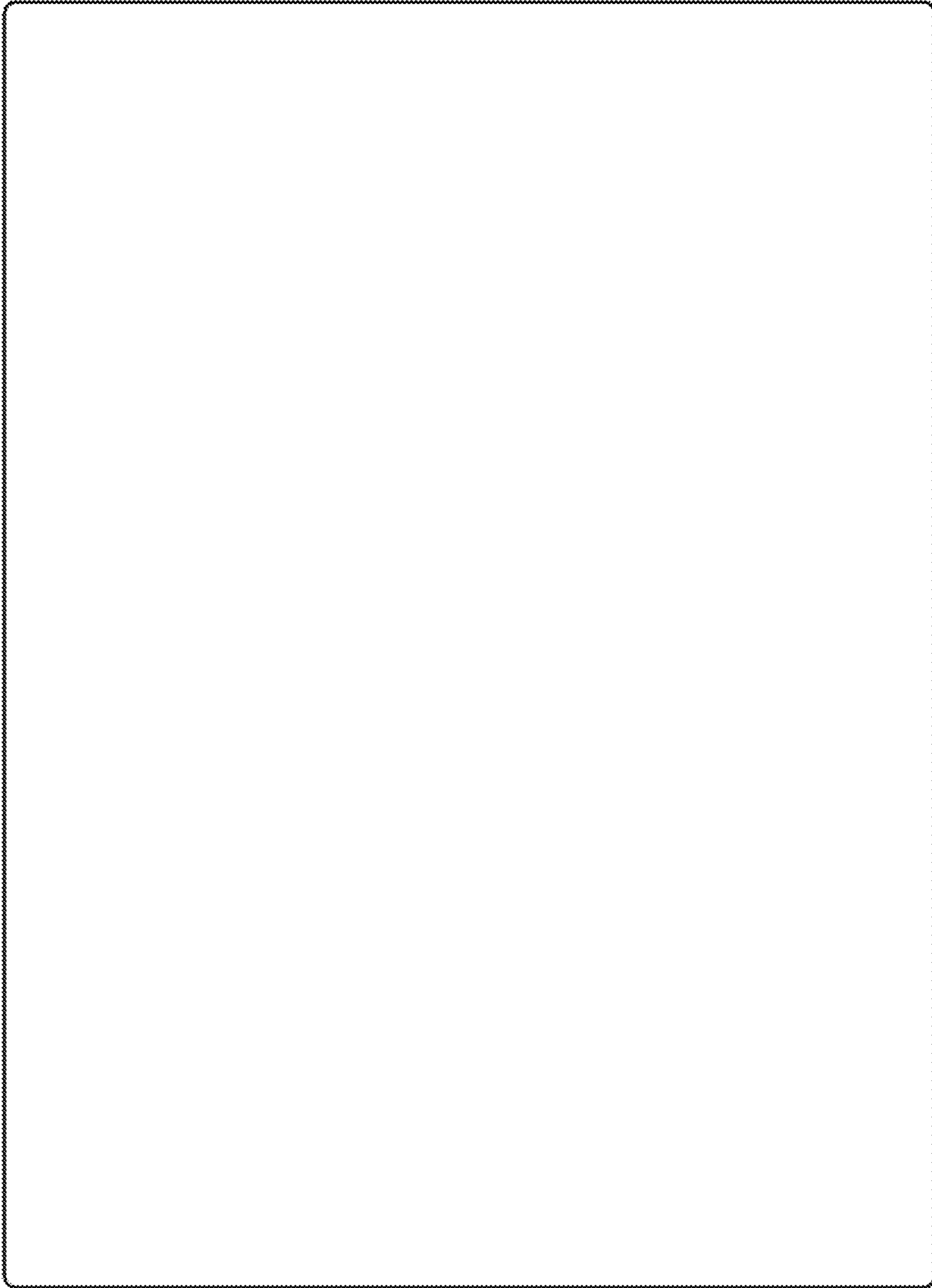
1.1



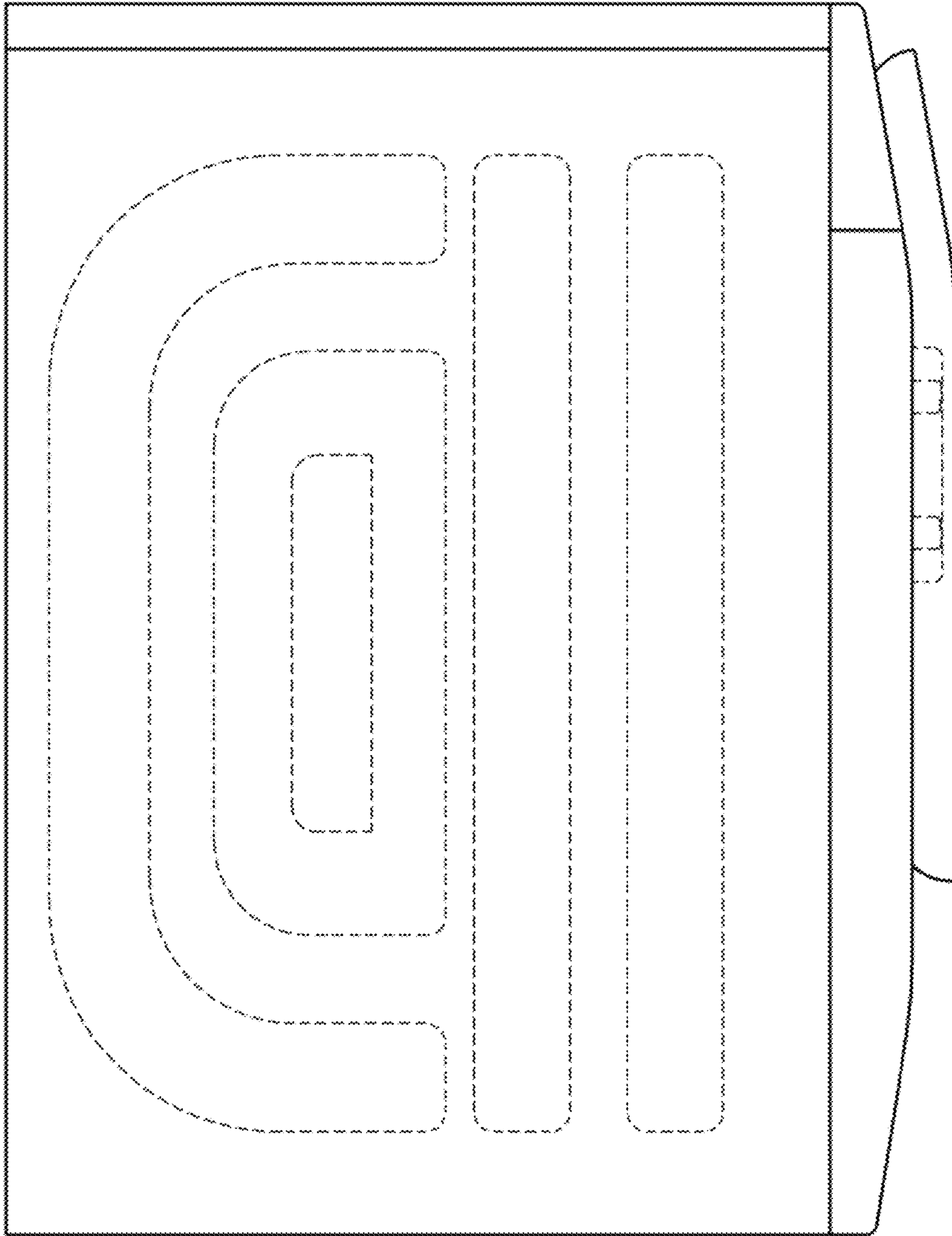
1.2



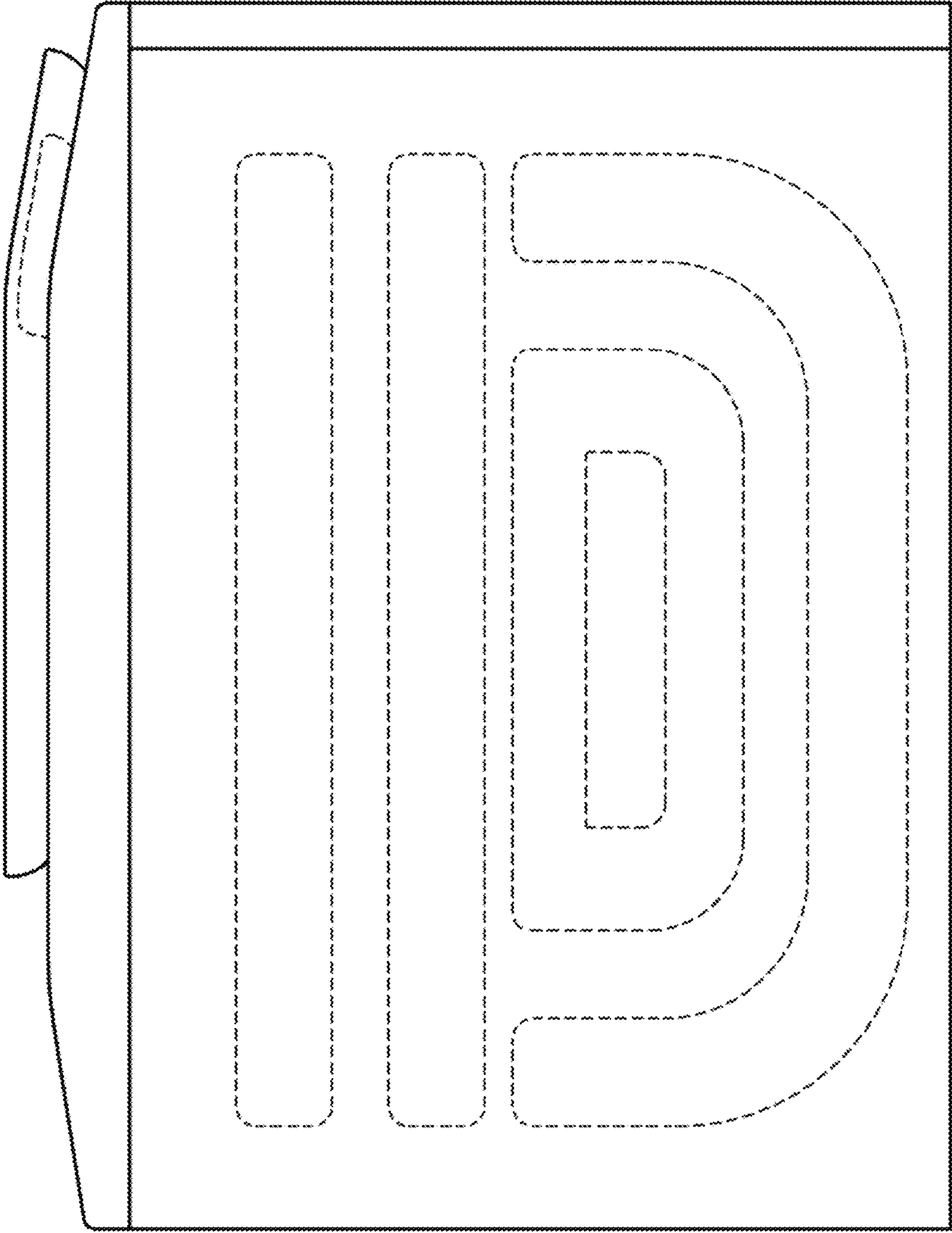
1.3



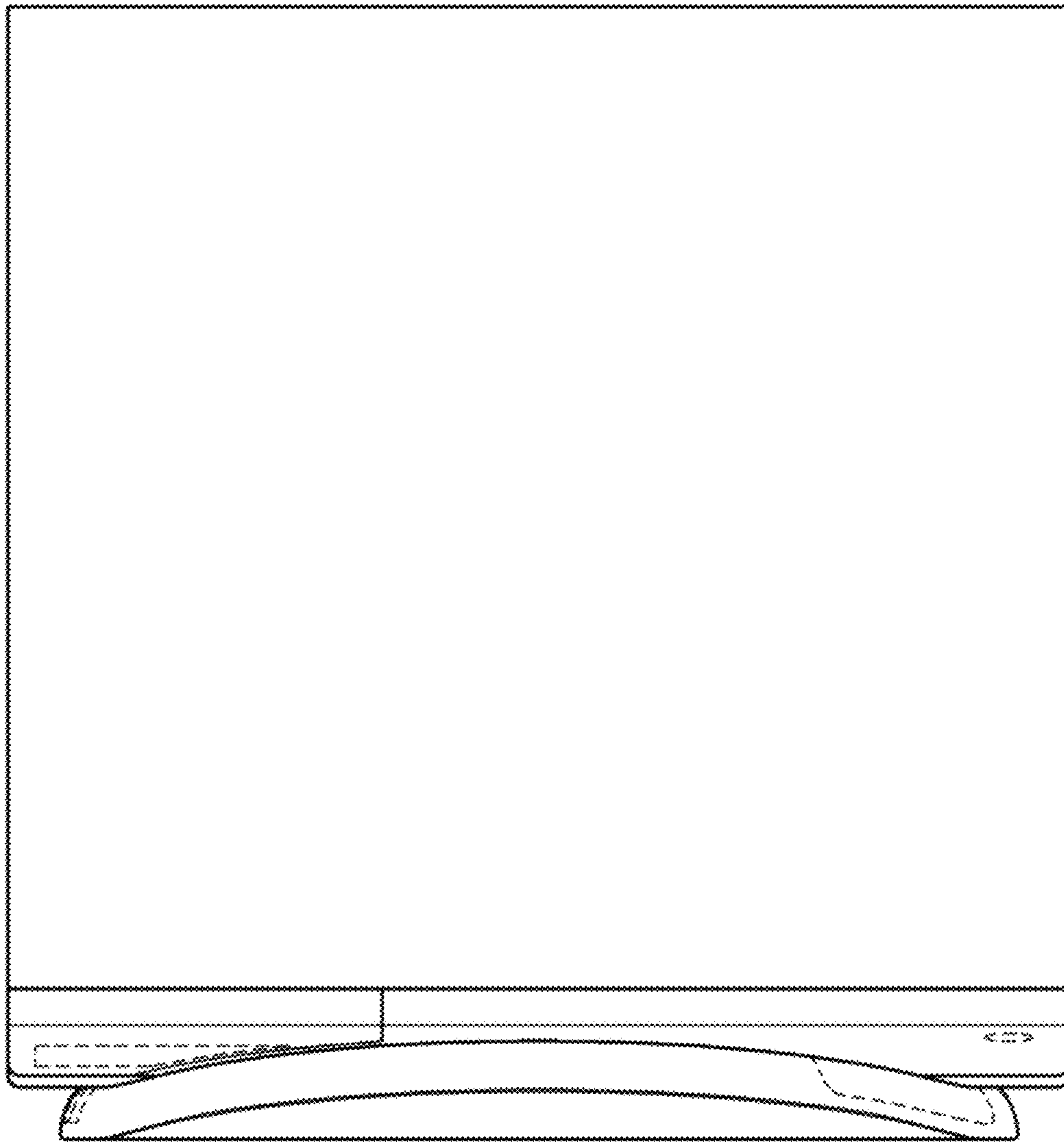
1.4



1.5



1.6



1.7

