



US00D808092S

(12) **United States Design Patent**
Kim et al.

(10) **Patent No.:** **US D808,092 S**
(45) **Date of Patent:** **** *Jan. 16, 2018**

- (54) **WASHING MACHINE**
- (71) Applicant: **Samsung Electronics Co., Ltd.**,
Suwon-si (KR)
- (72) Inventors: **Kangdoo Kim**, Seoul (KR); **Minhyouk Bu**, Seoul (KR)
- (73) Assignee: **SAMSUNG ELECTRONICS CO., LTD.**, Gyeonggi-Do (KR)
- (*) Notice: This patent is subject to a terminal disclaimer.
- (**) Term: **15 Years**

- D527,151 S 8/2006 Jung et al.
- D558,010 S * 12/2007 Uglum D8/40
- D628,755 S 12/2010 Helot et al.
- D665,543 S 8/2012 Kim et al.
- D688,013 S 8/2013 Kim et al.
- D688,427 S 8/2013 Meda et al.
- D713,235 S * 9/2014 Lee D8/310
- D713,236 S * 9/2014 Park D8/310
- D722,259 S * 2/2015 Conner D8/300
- D735,425 S 7/2015 Choi et al.
- D736,589 S * 8/2015 Watson D8/310
- D747,575 S 1/2016 Choi et al.
- D758,825 S * 6/2016 Nesbitt D8/310
- D759,916 S 6/2016 Choi et al.
- D759,917 S 6/2016 Choi et al.
- D760,457 S 6/2016 Choi et al.
- D760,458 S 6/2016 Choi et al.

(Continued)

- (21) Appl. No.: **29/538,595**
- (22) Filed: **Sep. 4, 2015**

Primary Examiner — Michael A. Pratt
Assistant Examiner — Michelle E Wilson
(74) *Attorney, Agent, or Firm* — Cantor Colburn LLP

(30) **Foreign Application Priority Data**

Mar. 4, 2015 (KR) 30-2015-0011022

- (51) **LOC (11) Cl.** **15-05**
- (52) **U.S. Cl.**
USPC **D32/6**
- (58) **Field of Classification Search**
USPC D32/1-6, 8, 10, 25, 28
CPC A47B 96/00; D06F 39/022; D06F 39/14;
D06F 39/028; D06F 33/02; D06F 37/28;
D06F 58/00
See application file for complete search history.

(57) **CLAIM**

The ornamental design for a washing machine, as shown and described.

DESCRIPTION

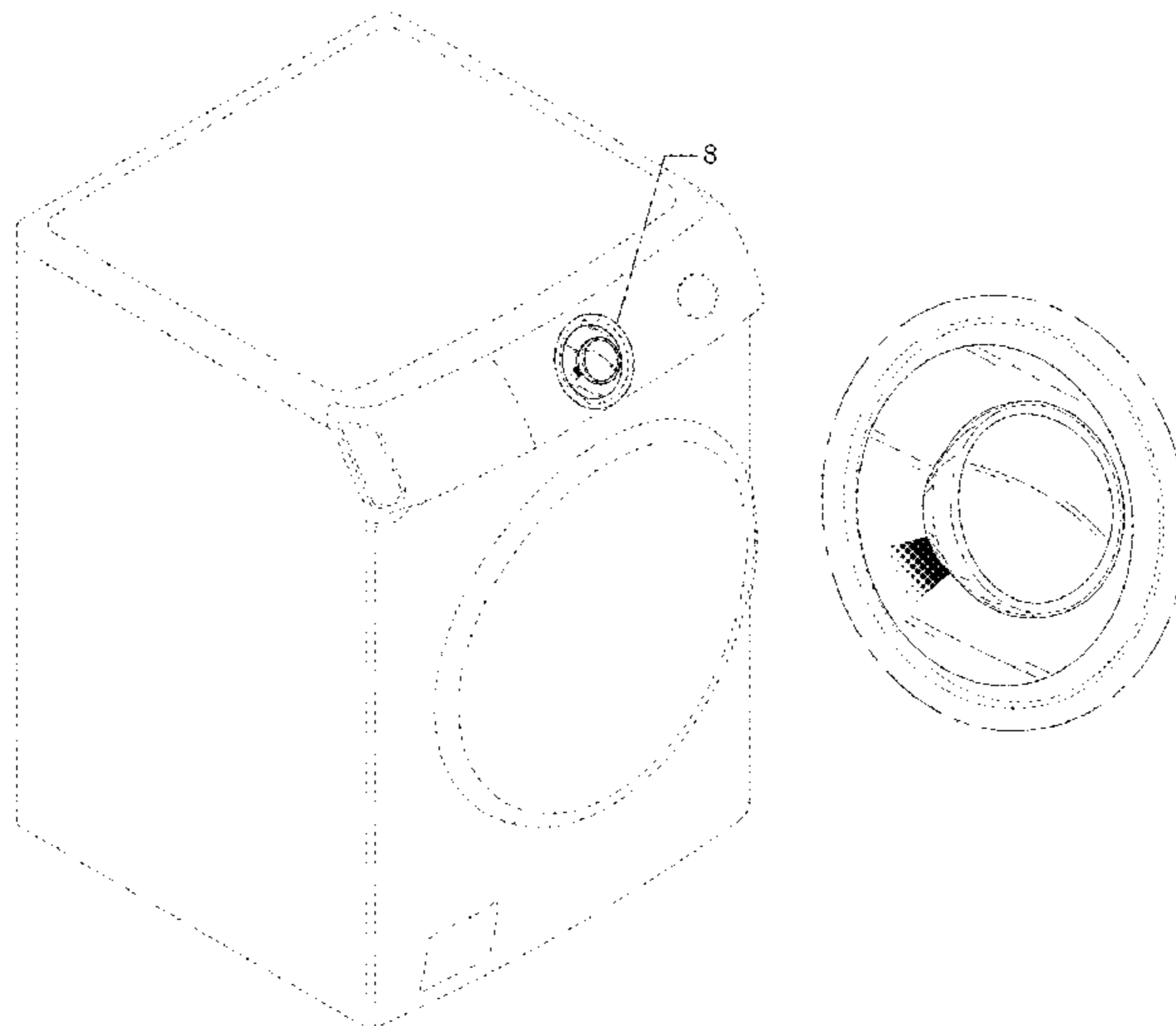
FIG. 1 is a perspective view of a Washing Machine, showing our new design;
FIG. 2 is a front view thereof;
FIG. 3 is a rear view thereof;
FIG. 4 is a side view thereof;
FIG. 5 is another side view thereof;
FIG. 6 is a top view thereof;
FIG. 7 is a bottom view thereof; and,
FIG. 8 is an enlarged view of the encircled portion thereof in FIG. 1.
The broken lines illustrating portions of the washing machine form no part of the claimed design.
The dot-dash broken lines encircling enlargement portions of the design form no part of the claimed design.

(56) **References Cited**

U.S. PATENT DOCUMENTS

- D291,053 S * 7/1987 Decursu D8/310
- D297,211 S * 8/1988 Rhoades D8/310
- D361,493 S * 8/1995 Chieda D8/310
- D431,512 S * 10/2000 Pink D12/197
- D517,255 S 3/2006 Kim et al.
- D521,197 S 5/2006 Kim et al.

1 Claim, 8 Drawing Sheets



(56)

References Cited

U.S. PATENT DOCUMENTS

D766,696	S *	9/2016	Kemker	D8/310
D772,037	S *	11/2016	Zimmer	D8/310
D776,509	S *	1/2017	Fagan	D8/300
D777,008	S *	1/2017	Nesbitt	D8/310
2006/0000698	A1 *	1/2006	Yoon	D06F 39/005 200/336
2009/0126417	A1	5/2009	Ripley et al.	
2009/0260248	A1	10/2009	Prajescu et al.	
2011/0221313	A1	9/2011	Stegerwald	
2014/0001934	A1	1/2014	Batur et al.	
2014/0082955	A1	3/2014	Park et al.	
2014/0102153	A1	4/2014	Lee et al.	
2014/0303783	A1	10/2014	Ha et al.	
2015/0107309	A1	4/2015	Favaro et al.	
2015/0107310	A1	4/2015	Del Pos et al.	
2015/0299926	A1	10/2015	Kim et al.	
2015/0315740	A1	11/2015	Buso et al.	
2016/0032517	A1	2/2016	Lee et al.	
2016/0053423	A1	2/2016	Lee et al.	
2016/0160426	A1	6/2016	Kim et al.	

* cited by examiner

FIG. 1

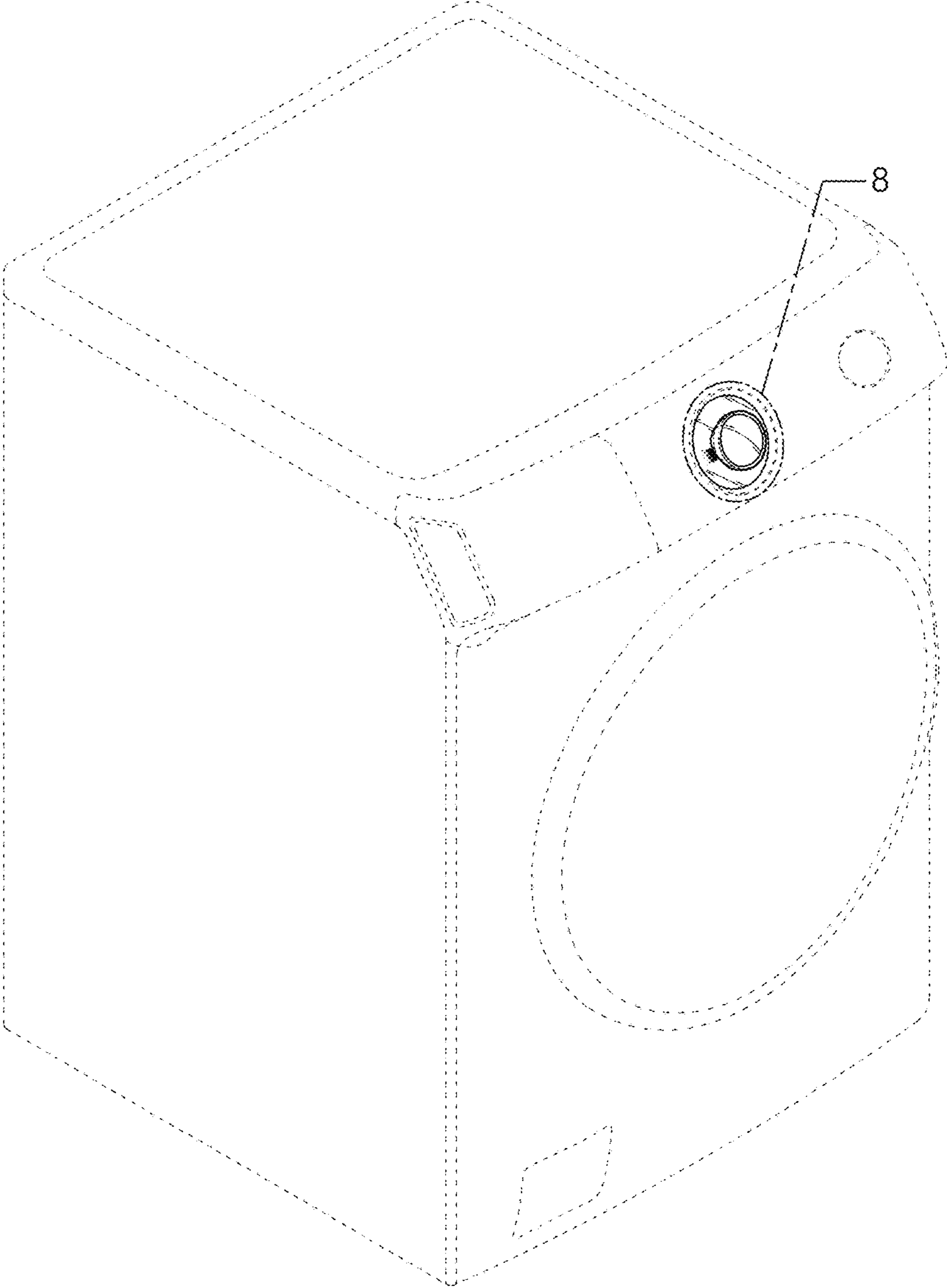


FIG. 2

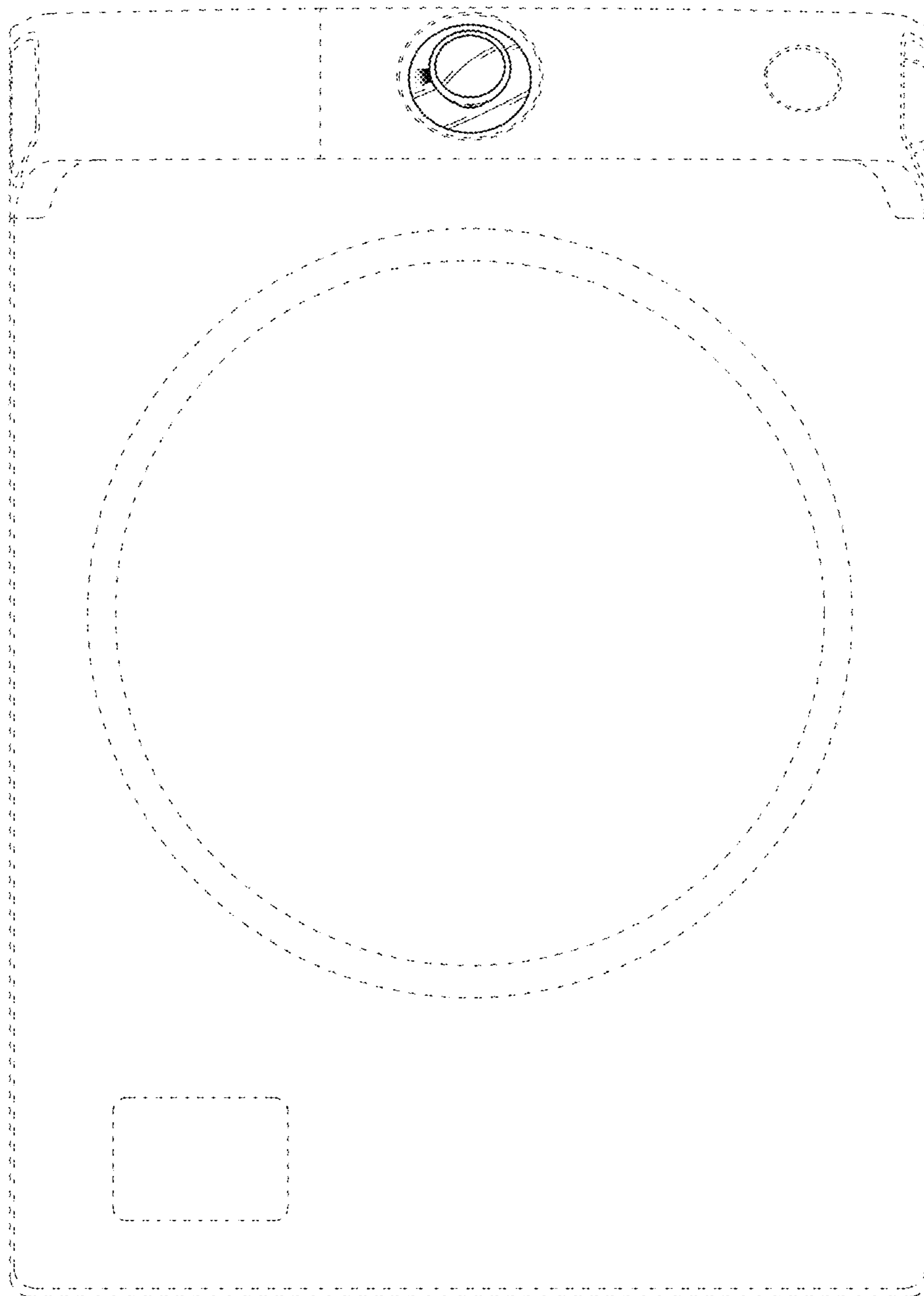


FIG. 3



FIG. 4

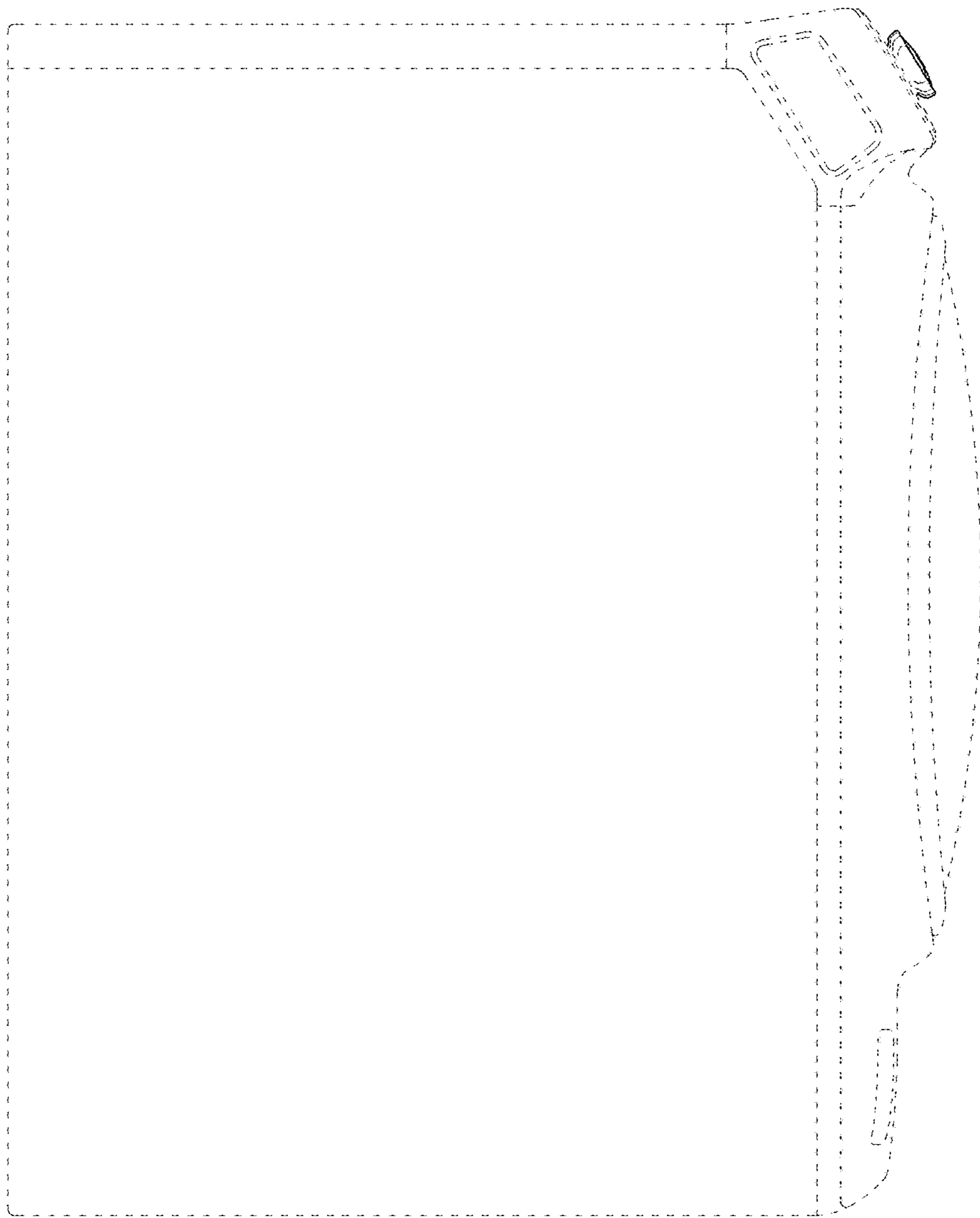


FIG. 5

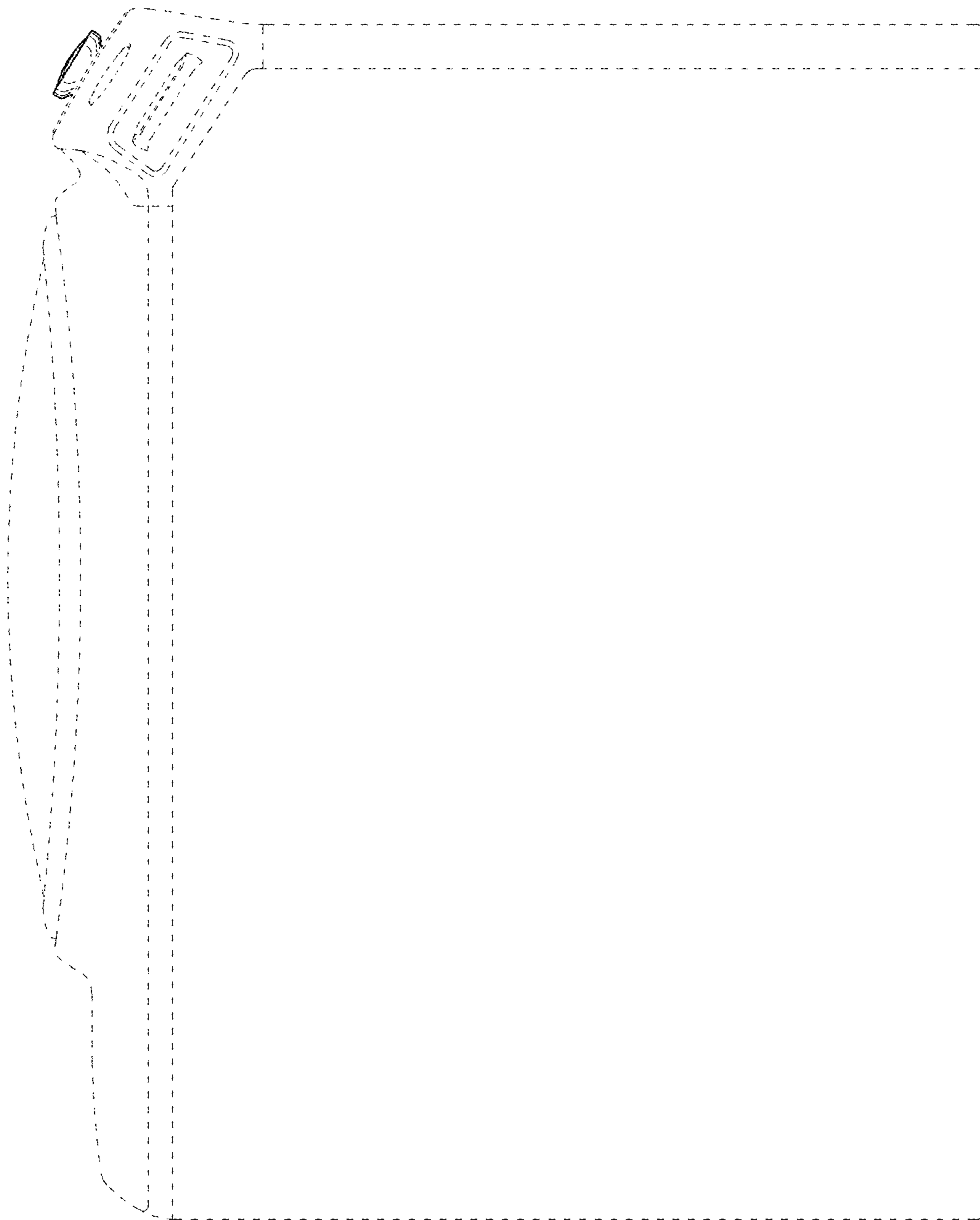


FIG. 6

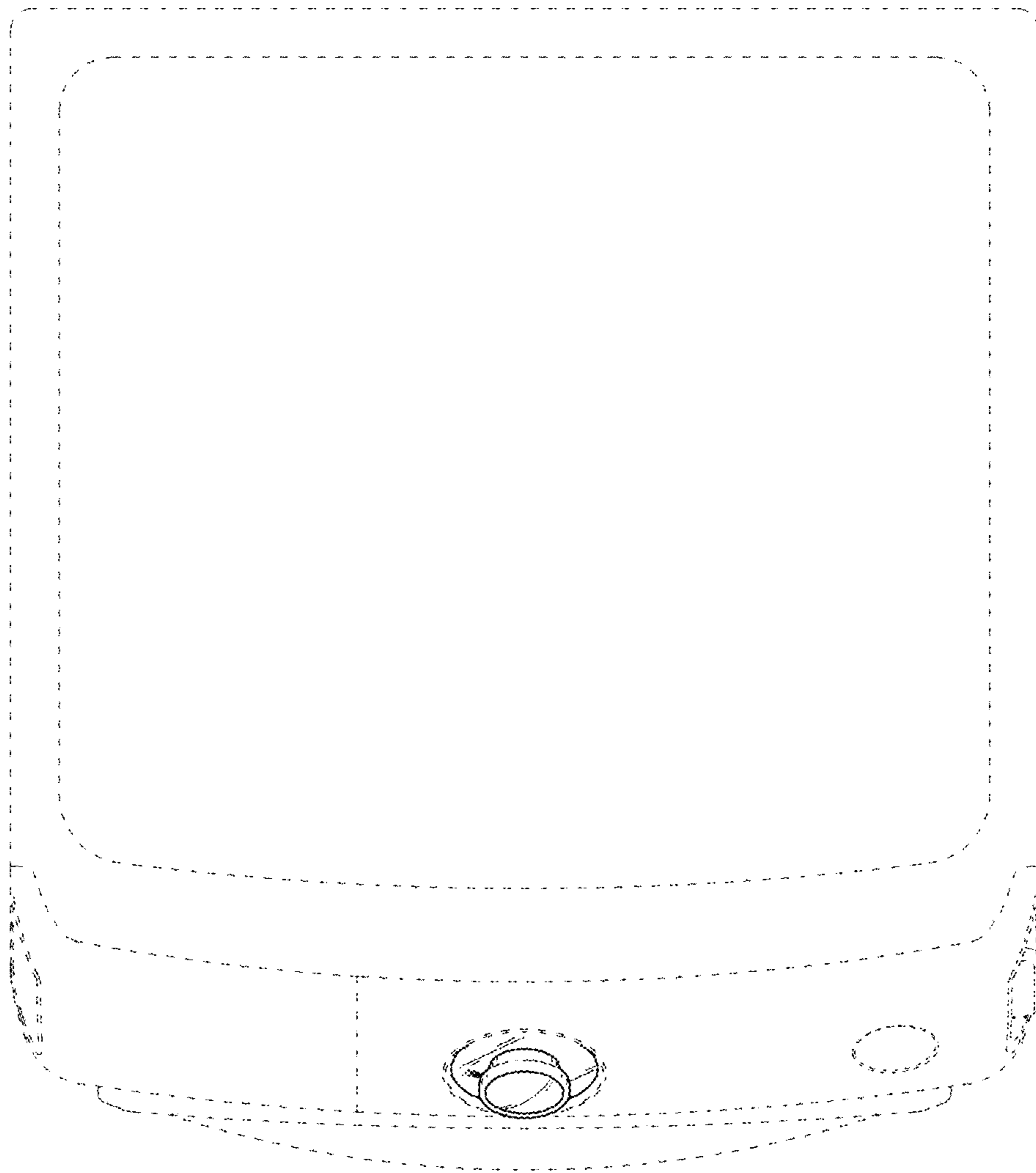


FIG. 7

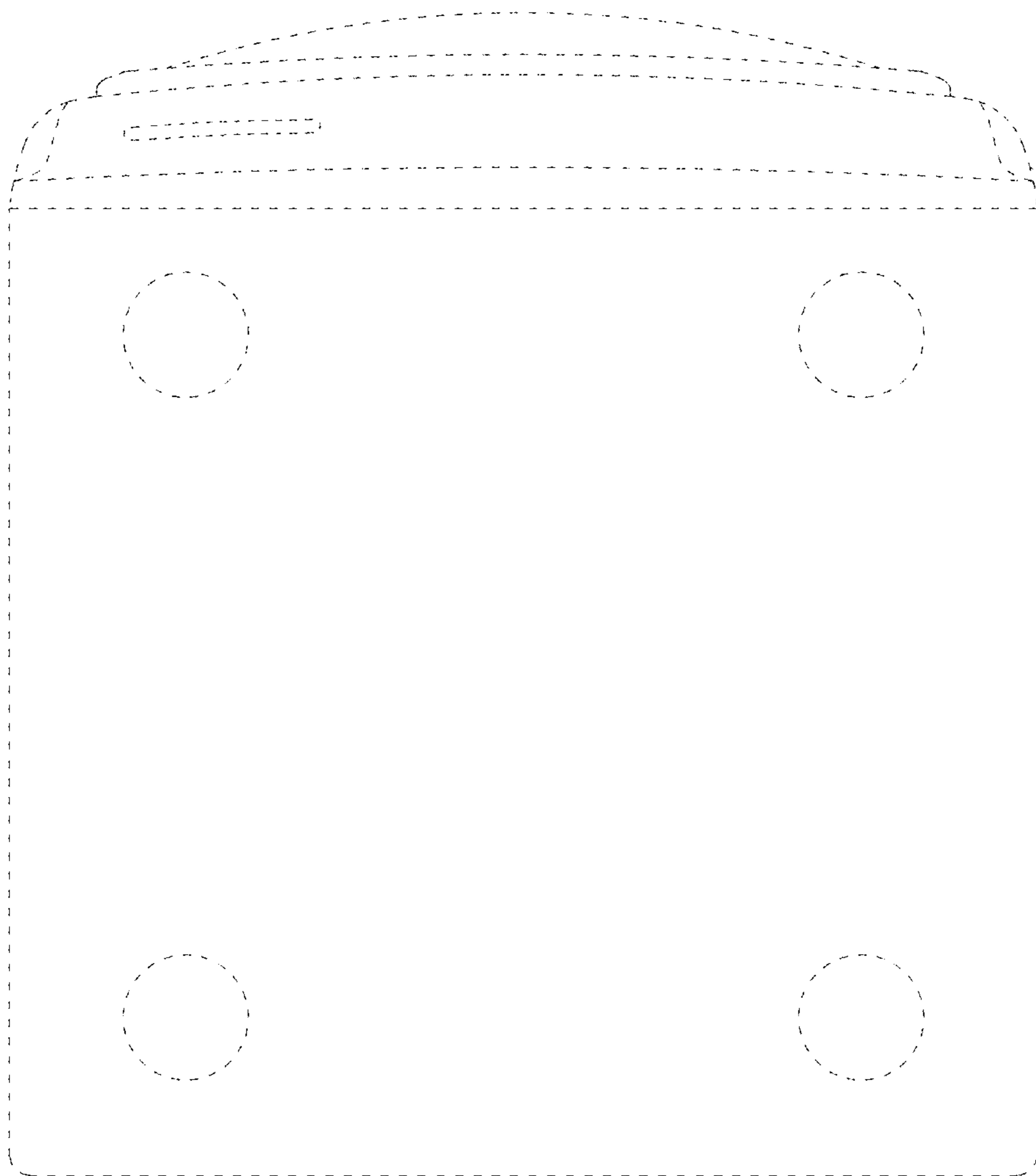


FIG. 8

