



US00D808090S

(12) **United States Design Patent**  
**Diehl**

(10) **Patent No.:** **US D808,090 S**

(45) **Date of Patent:** **\*\* Jan. 16, 2018**

(54) **PET WASTE SCOOPING TOOL**

(71) Applicant: **Russel Diehl**, San Bernadino, CA (US)

(72) Inventor: **Russel Diehl**, San Bernadino, CA (US)

(\*\*) Term: **15 Years**

(21) Appl. No.: **29/591,738**

(22) Filed: **Jan. 23, 2017**

(51) **LOC (11) Cl.** ..... **30-99**

(52) **U.S. Cl.**  
USPC ..... **D30/162**

(58) **Field of Classification Search**

USPC ..... D30/162, 161, 199; 119/867, 161, 166,  
119/174; D8/13, 10; D9/430, 420, 423,  
D9/426, 431, 432, 433, 761, 756;  
294/1.3-1.5, 19.1, 49, 50, 50.5, 55, 179,  
294/176, 180, 3, 7, 99.2, 177, 59, 57;  
209/418, 419; 15/257.1, 257.2, 1.7;  
210/464, 465, 470, 472; D7/692, 691;  
D21/532; D32/74; 426/129; 229/901,  
229/902, 114, 406, 407, 146;  
220/4.21-4.23, 4.27, 7, 326  
CPC ..... A01K 1/01; A01K 1/011; A01K 1/0128;  
A01K 1/0132; A01K 1/0114; A01K  
1/0125; E01H 1/12; E01H 1/1206; E01H  
2001/122; E01H 2001/1226; E01H  
2001/1233; E01H 2001/1246; E01H  
2001/126; E01H 2001/1266; E01H  
2001/1273; E01H 2001/128; E01H  
2001/124; B07B 1/00; B07B 1/005; B07B  
1/02; E04H 4/1609; F24B 15/08; B65D  
43/162-43/169; B65D 43/22; B65D  
5/6697; B65D 5/685; B65D 5/32; B65D  
2251/1025; B65D 2251/1033; B65D  
2251/1041; B65D 2251/1058; B65D  
2251/1091

See application file for complete search history.

(56) **References Cited**

U.S. PATENT DOCUMENTS

|           |     |         |         |       |                          |
|-----------|-----|---------|---------|-------|--------------------------|
| 2,819,008 | A * | 1/1958  | White   | ..... | B65D 5/4295<br>206/521.1 |
| 3,685,088 | A * | 8/1972  | Doherty | ..... | E01H 1/1206<br>15/257.6  |
| 3,929,363 | A * | 12/1975 | Kahan   | ..... | B65D 75/22<br>294/1.4    |
| 4,057,169 | A * | 11/1977 | Payne   | ..... | B65D 43/162<br>220/4.21  |
| 4,096,827 | A * | 6/1978  | Cotter  | ..... | A01K 1/0114<br>119/166   |
| 4,132,344 | A * | 1/1979  | Jewell  | ..... | B65D 43/021<br>206/519   |
| 4,148,510 | A * | 4/1979  | Brack   | ..... | E01H 1/1206<br>294/1.3   |
| 4,232,816 | A * | 11/1980 | Johnson | ..... | B65D 5/2047<br>206/831   |

(Continued)

*Primary Examiner* — Susan Moon Lee  
(74) *Attorney, Agent, or Firm* — QuickPatents, LLC;  
Kevin Prince

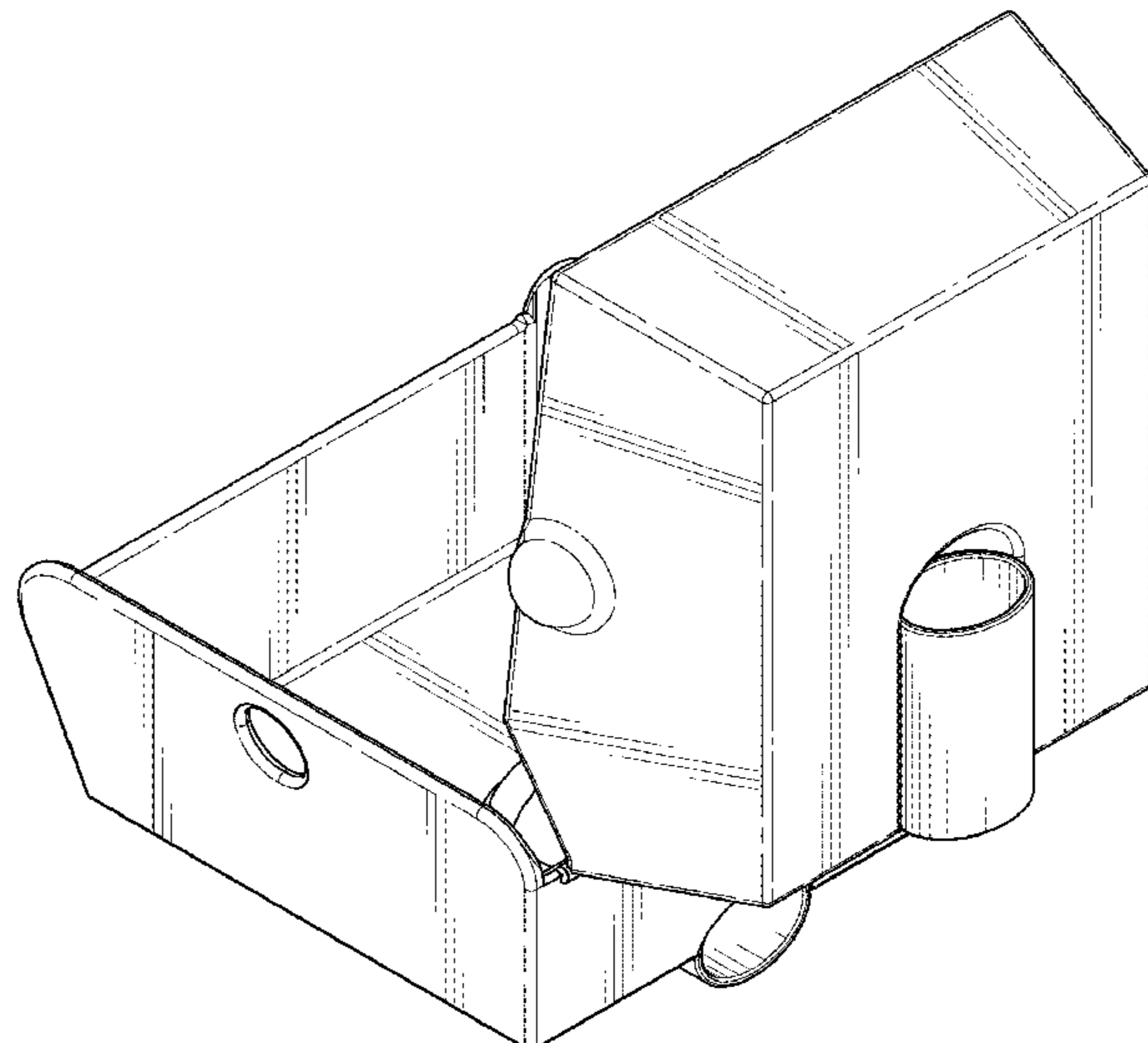
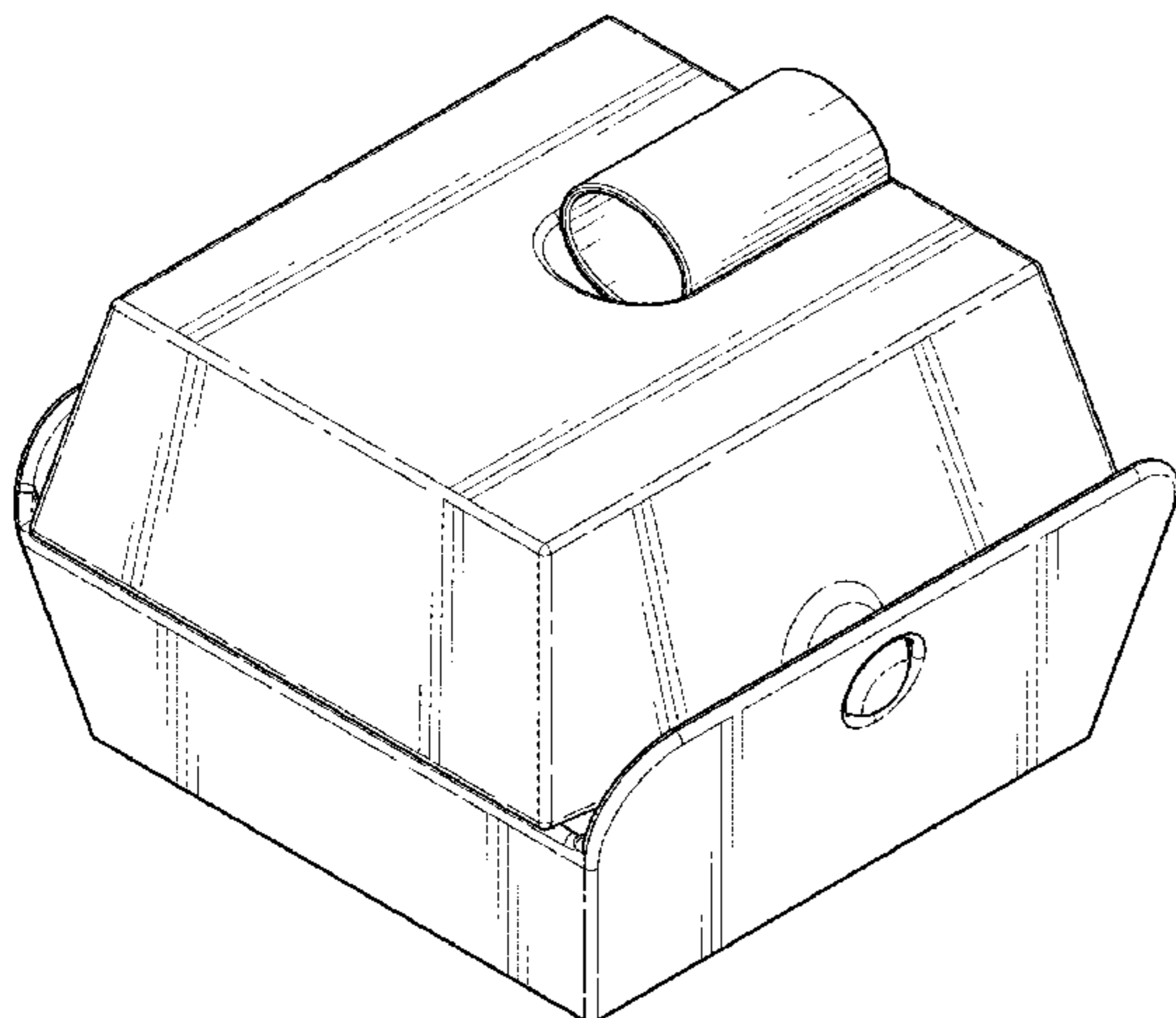
(57) **CLAIM**

I claim the ornamental design for a pet waste scooping tool, as shown and described.

**DESCRIPTION**

FIG. 1 is a front perspective view of a pet waste scooping tool, showing my new design in a partially open configuration;  
FIG. 2 is a front perspective view thereof, illustrated in a closed configuration;  
FIG. 3 is a rear perspective view of the pet waste scooping tool in its partially open configuration;  
FIG. 4 is a front elevational view thereof;  
FIG. 5 is a rear elevational view thereof;  
FIG. 6 is a left-side elevational view thereof;  
FIG. 7 is a right-side elevational view thereof;  
FIG. 8 is a top plan view thereof; and,  
FIG. 9 is a bottom plan view thereof.

**1 Claim, 9 Drawing Sheets**



(56)

References Cited

U.S. PATENT DOCUMENTS

D259,293 S \* 5/1981 Cooper ..... D30/162  
 4,289,491 A \* 9/1981 Collura ..... B31B 50/00  
 229/146  
 4,472,896 A \* 9/1984 Brauner ..... B65D 5/4216  
 206/459.1  
 4,787,552 A \* 11/1988 Natori ..... A45C 11/20  
 220/4.23  
 4,804,137 A \* 2/1989 Harby ..... B65D 5/2047  
 220/23.4  
 4,844,330 A \* 7/1989 Roosa ..... B65D 5/48024  
 206/568  
 4,877,178 A \* 10/1989 Eisman ..... B65D 5/667  
 229/114  
 4,955,527 A \* 9/1990 Blackman ..... B65D 5/667  
 229/114  
 5,058,803 A \* 10/1991 Gulliver ..... B65D 5/4216  
 229/120  
 D322,571 S \* 12/1991 Groves ..... D9/423  
 D334,255 S \* 3/1993 Nelson ..... D30/162  
 5,205,476 A \* 4/1993 Sorenson ..... B65D 5/667  
 229/114  
 5,332,147 A \* 7/1994 Sorenson ..... B65D 5/6626  
 229/114  
 5,359,840 A \* 11/1994 Costar ..... A01D 7/00  
 172/378  
 5,364,018 A \* 11/1994 Carlsson ..... B65D 11/188  
 229/114  
 D353,327 S \* 12/1994 Castner ..... D9/756  
 5,503,442 A \* 4/1996 Lee ..... E01H 1/1206  
 294/1.4  
 5,538,179 A \* 7/1996 Cai ..... B65D 5/32  
 206/457  
 5,826,784 A \* 10/1998 Wojcik ..... B65D 5/6697  
 229/114  
 5,947,321 A \* 9/1999 Vadney ..... B65D 51/1611  
 220/326  
 6,257,401 B1 \* 7/2001 Mangla ..... B65D 21/0223  
 206/204  
 D540,666 S \* 4/2007 Ramirez ..... D9/423

D541,649 S \* 5/2007 Ramirez ..... D9/425  
 7,862,094 B1 \* 1/2011 Lamont ..... E01H 1/12  
 294/1.3  
 8,146,743 B2 \* 4/2012 Stonehouse ..... B65D 5/667  
 206/459.1  
 8,235,006 B2 \* 8/2012 Lipscomb ..... A01K 1/0114  
 119/166  
 8,292,338 B1 \* 10/2012 Baghdasaryan ..... E01H 1/1206  
 294/1.3  
 8,490,808 B1 \* 7/2013 Snyder ..... B65D 5/667  
 220/4.22  
 8,523,049 B2 \* 9/2013 Fitzwater ..... B65D 5/4204  
 229/114  
 8,646,680 B2 \* 2/2014 Low ..... B65D 5/6691  
 229/145  
 8,662,548 B1 \* 3/2014 Viani ..... A01B 1/02  
 15/257.1  
 9,611,602 B1 \* 4/2017 Black ..... E01H 1/1206  
 2003/0041809 A1 \* 3/2003 Tsigrik ..... E01H 1/1206  
 119/161  
 2004/0216687 A1 \* 11/2004 Sage, Jr. ..... A01K 1/0107  
 119/166  
 2004/0222650 A1 \* 11/2004 Colesanti ..... E01H 1/1206  
 294/1.3  
 2009/0315349 A1 \* 12/2009 Black ..... E01H 1/1206  
 294/1.3  
 2011/0254297 A1 \* 10/2011 Hoffman ..... E01H 1/1206  
 294/1.3  
 2011/0289024 A1 \* 11/2011 Chongtoua ..... A01K 1/0125  
 705/500  
 2013/0036982 A1 \* 2/2013 Cameron ..... A01K 1/0114  
 119/166  
 2013/0221693 A1 \* 8/2013 Hoffman ..... E01H 1/006  
 294/1.3  
 2013/0269622 A1 \* 10/2013 Charette ..... A01K 1/0107  
 119/166  
 2014/0265381 A1 \* 9/2014 Joseph-de Saram . E01H 1/1206  
 294/1.3  
 2016/0244924 A1 \* 8/2016 Schneider ..... E01H 1/1206  
 2017/0251627 A1 \* 9/2017 Sage, Jr. ..... A01K 1/0114  
 2017/0275838 A1 \* 9/2017 Giallourakis ..... E01H 1/1206

\* cited by examiner



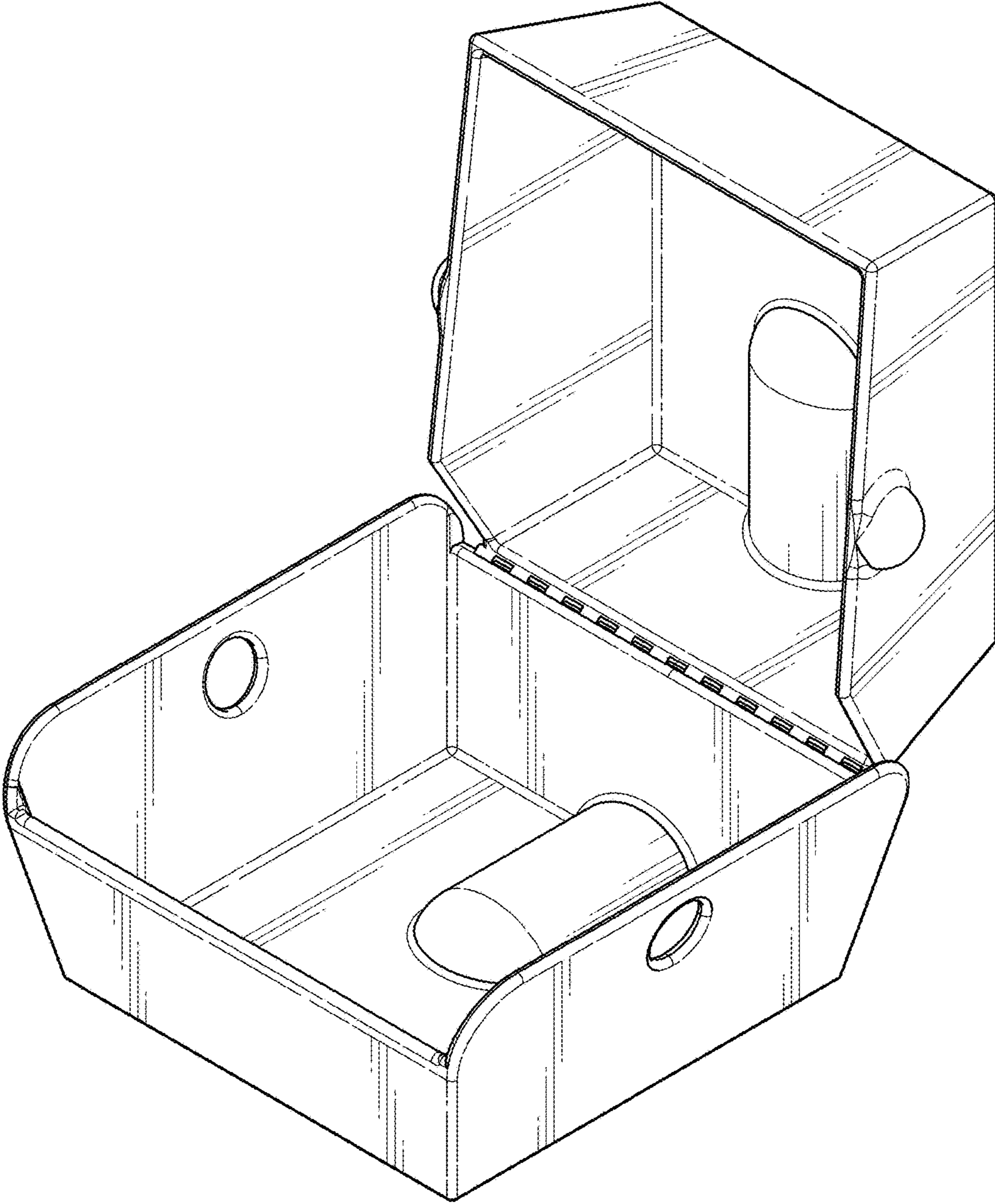


FIG. 1

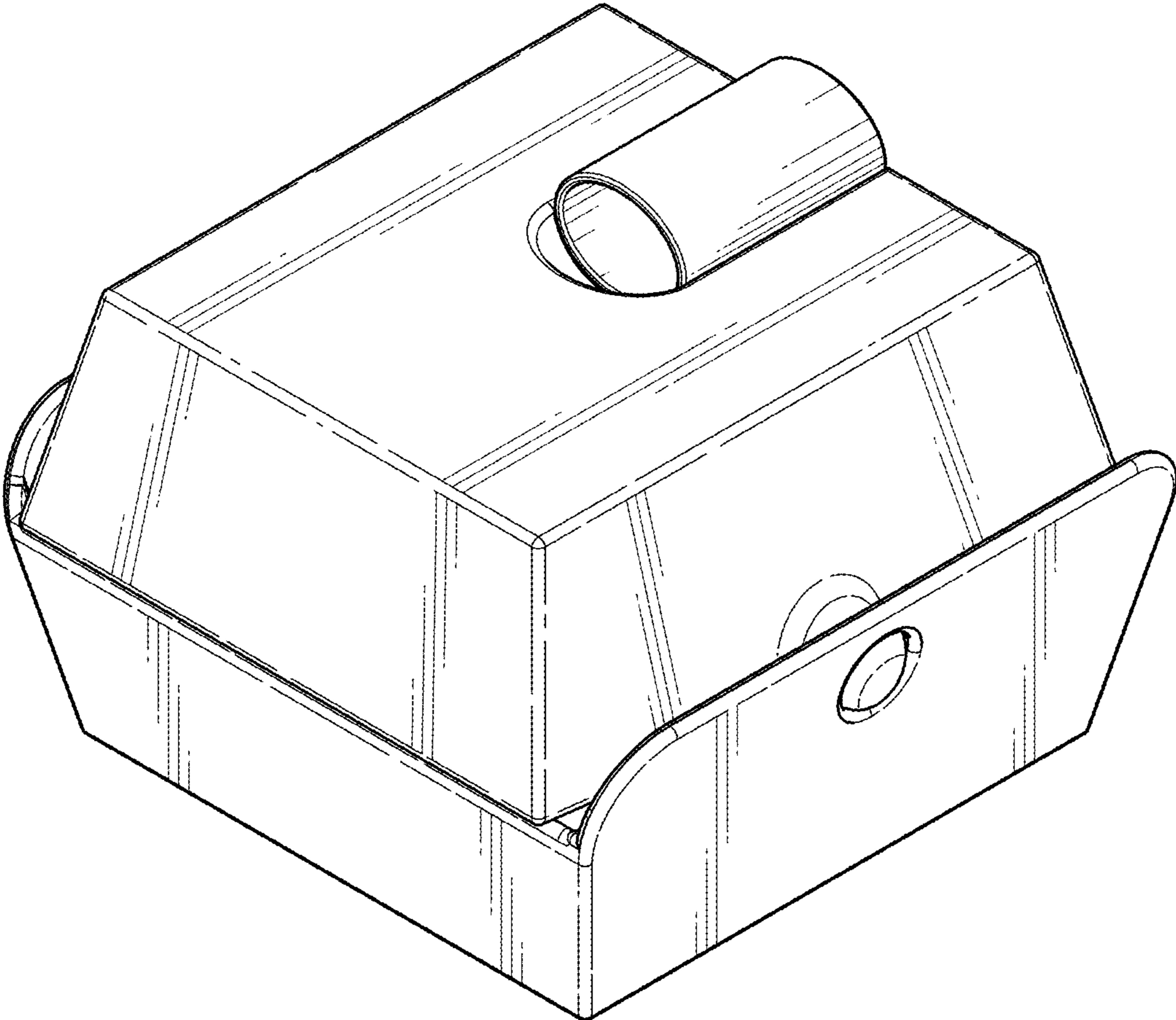


FIG. 2

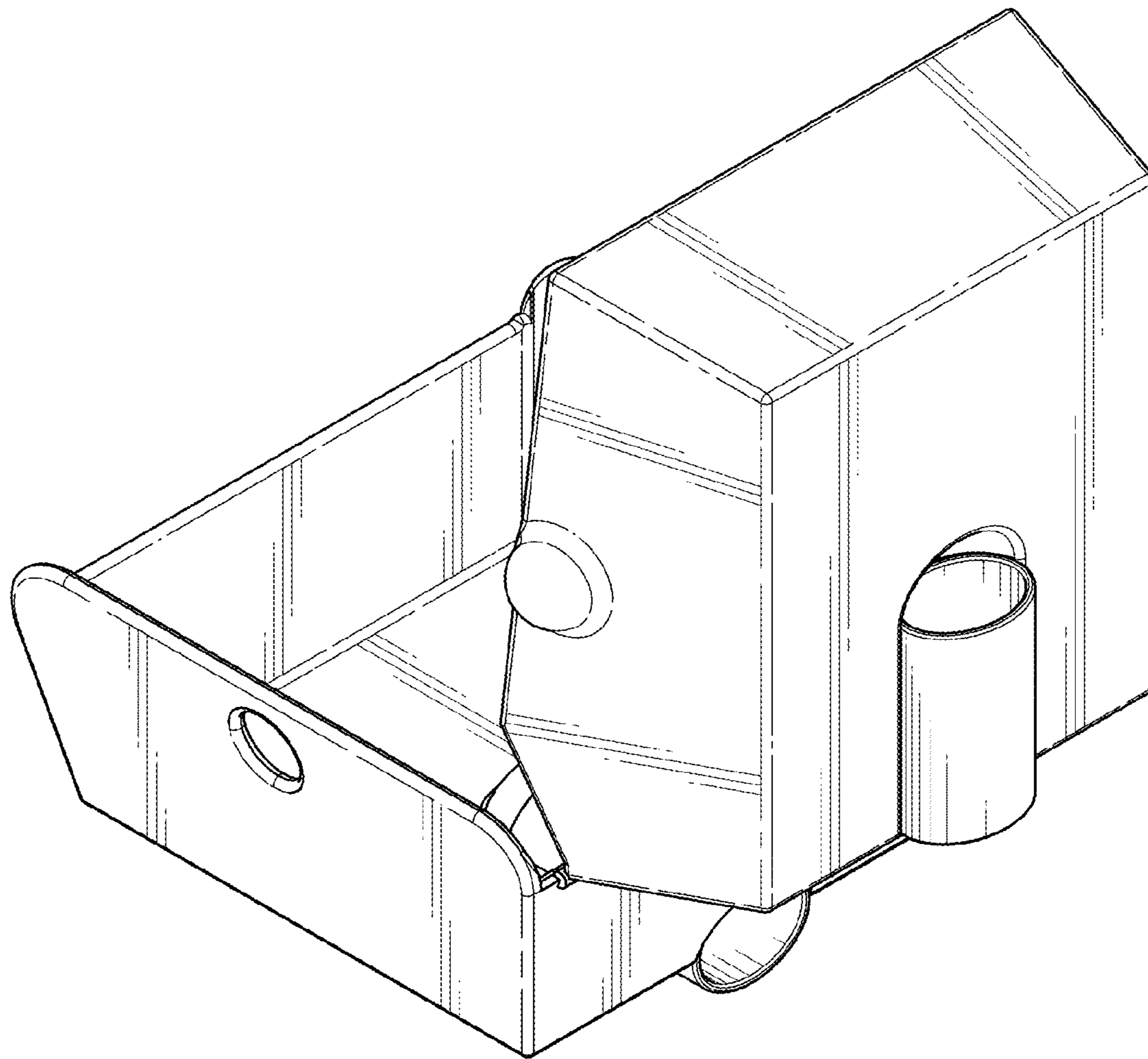


FIG. 3

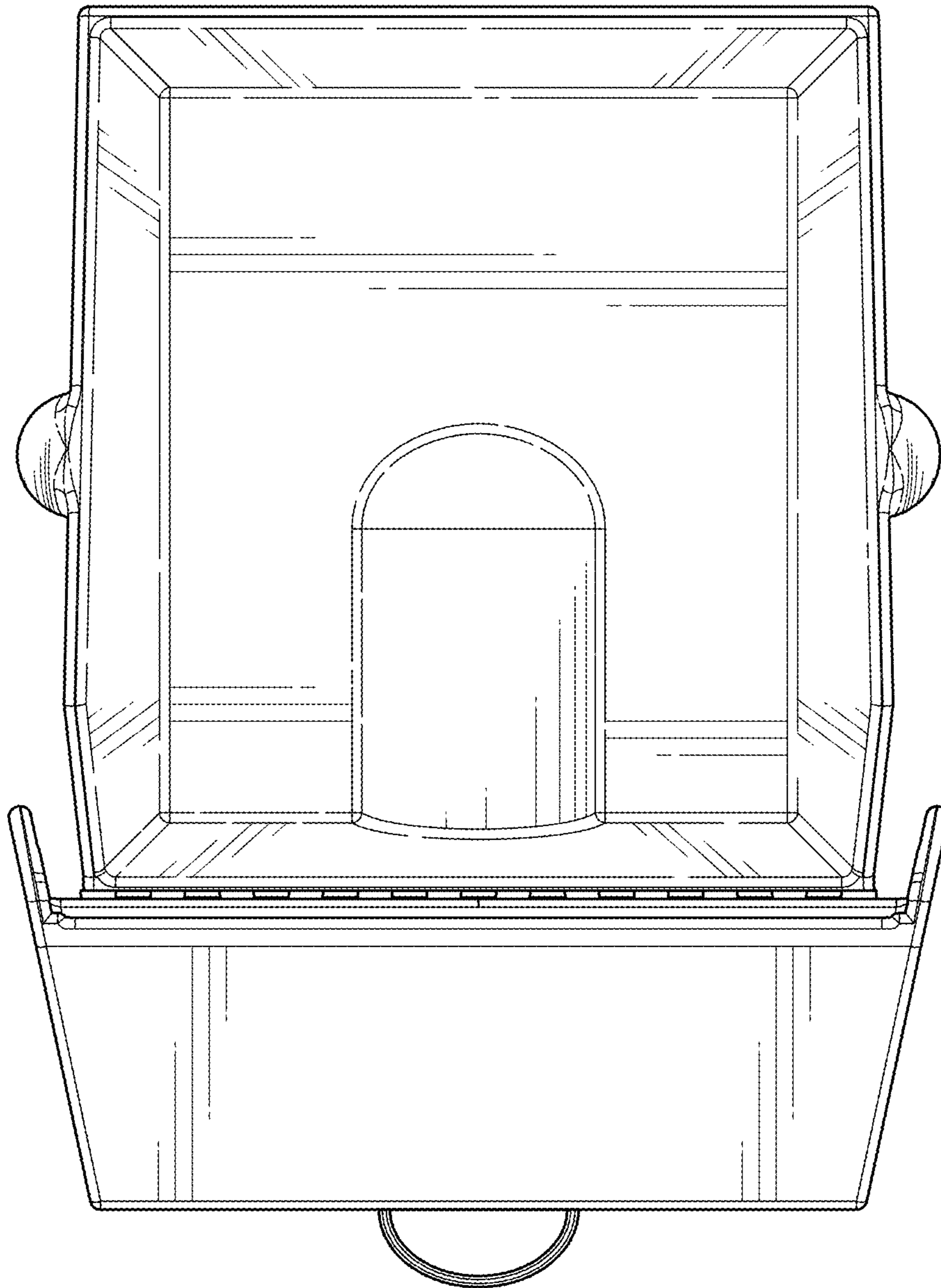


FIG. 4

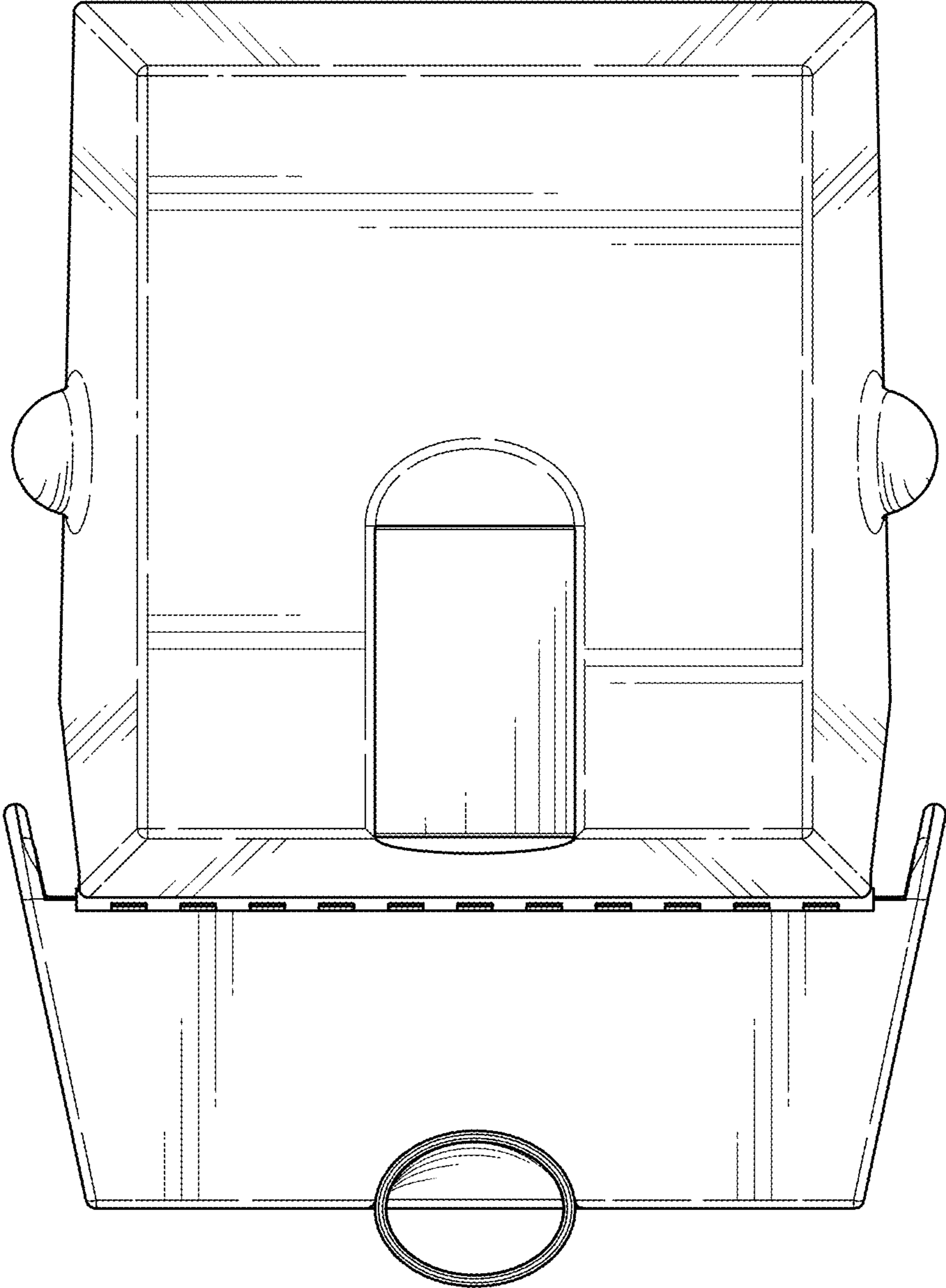


FIG. 5



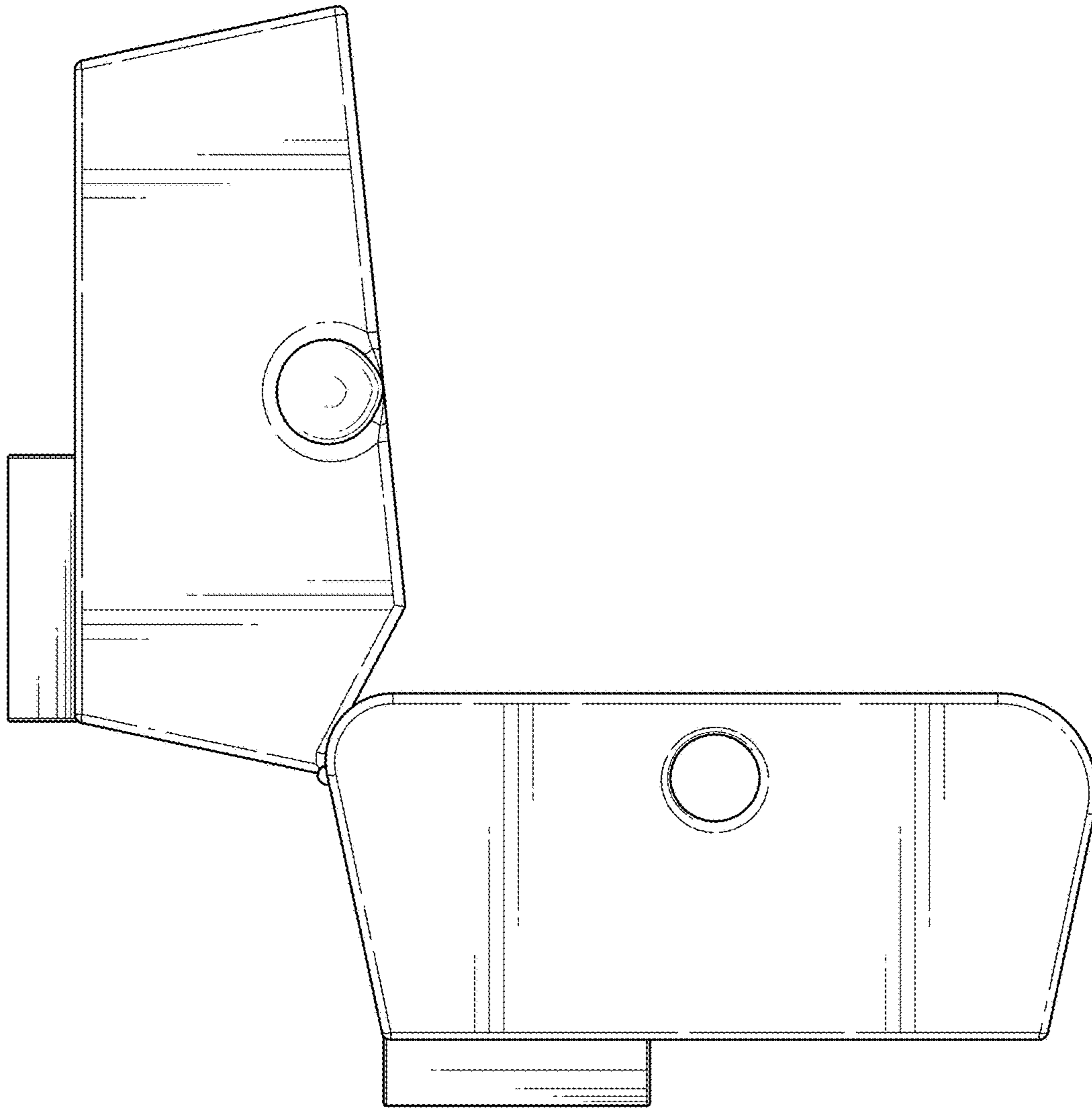


FIG. 6



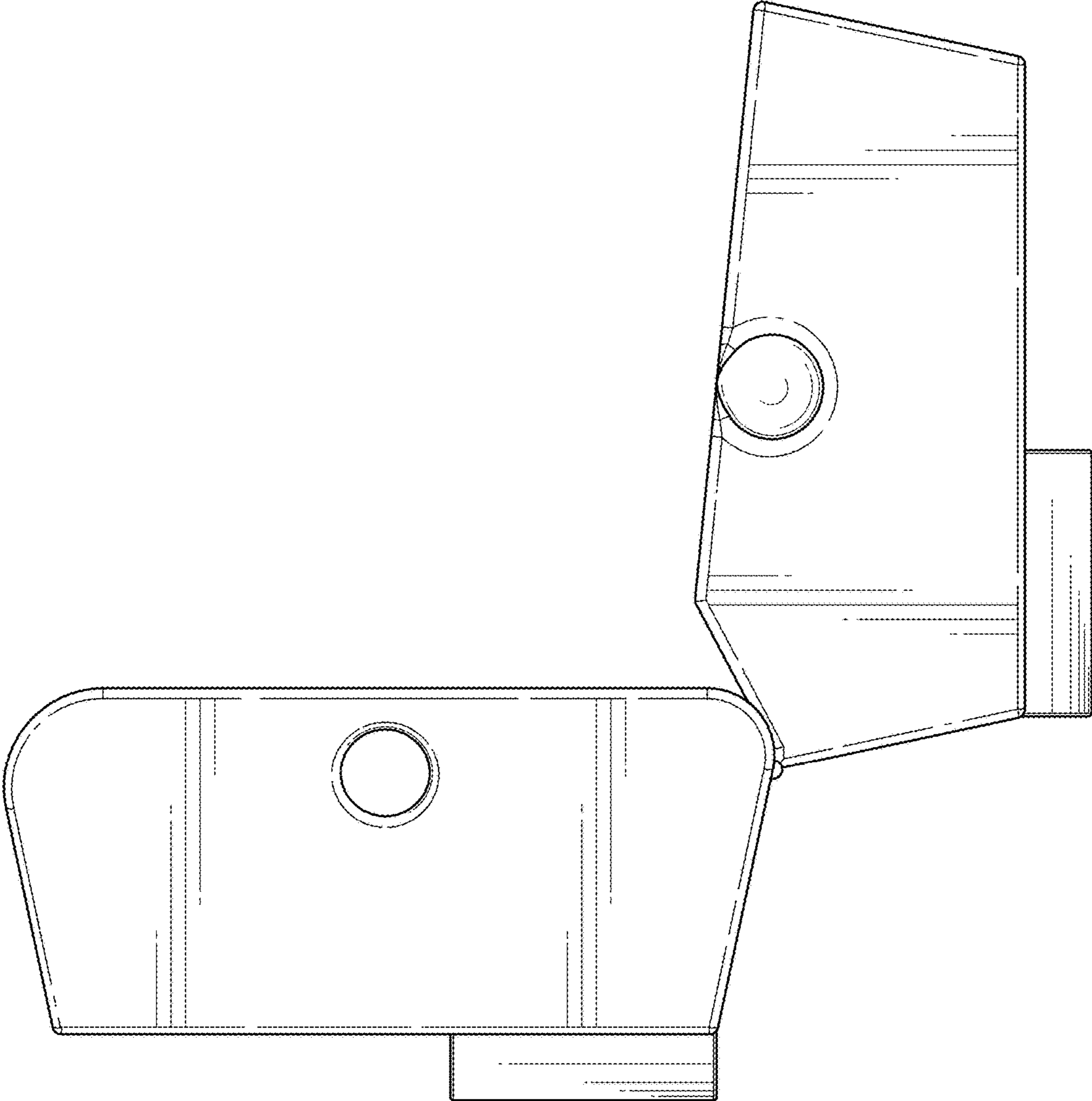


FIG. 7

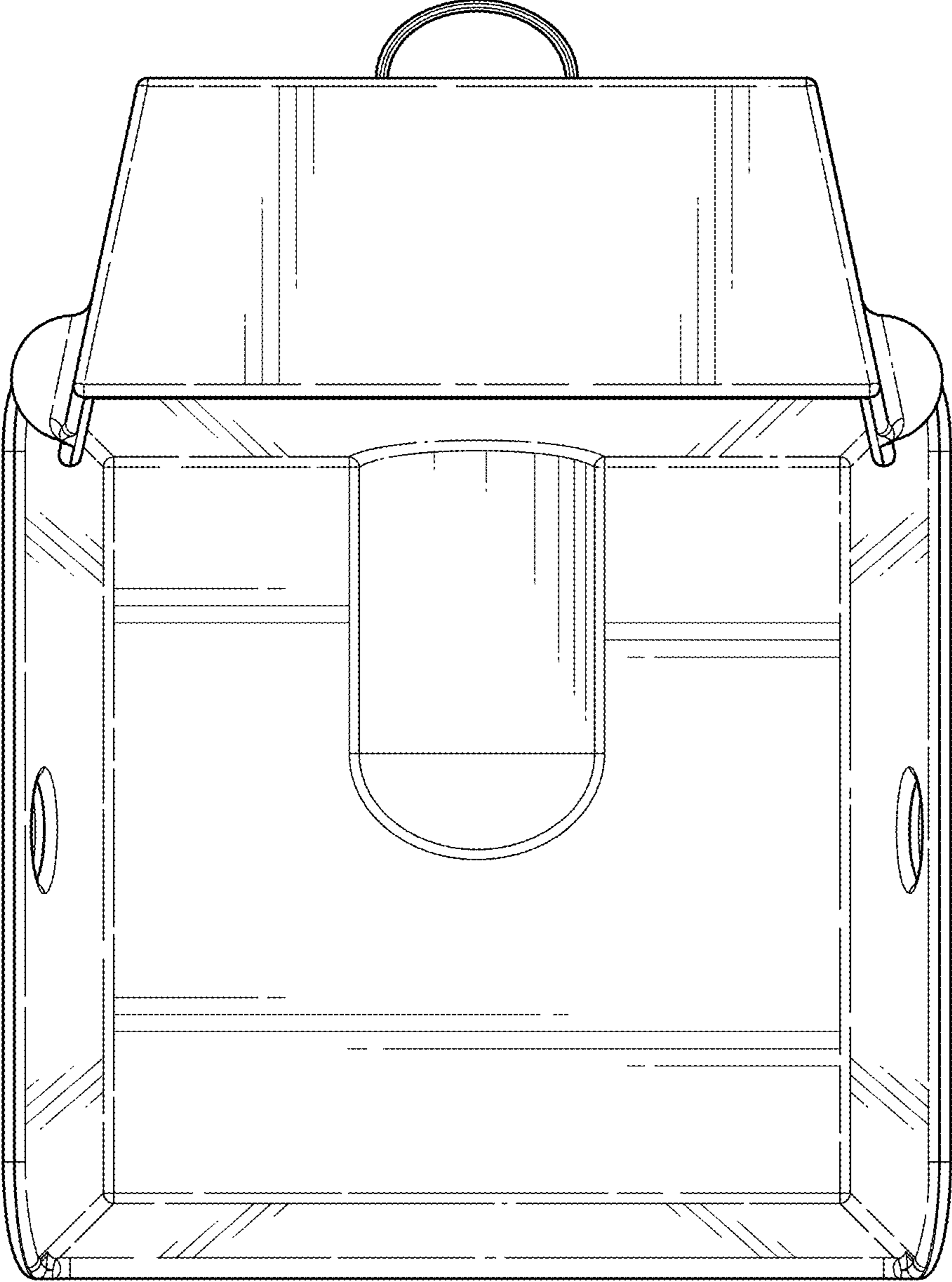


FIG. 8

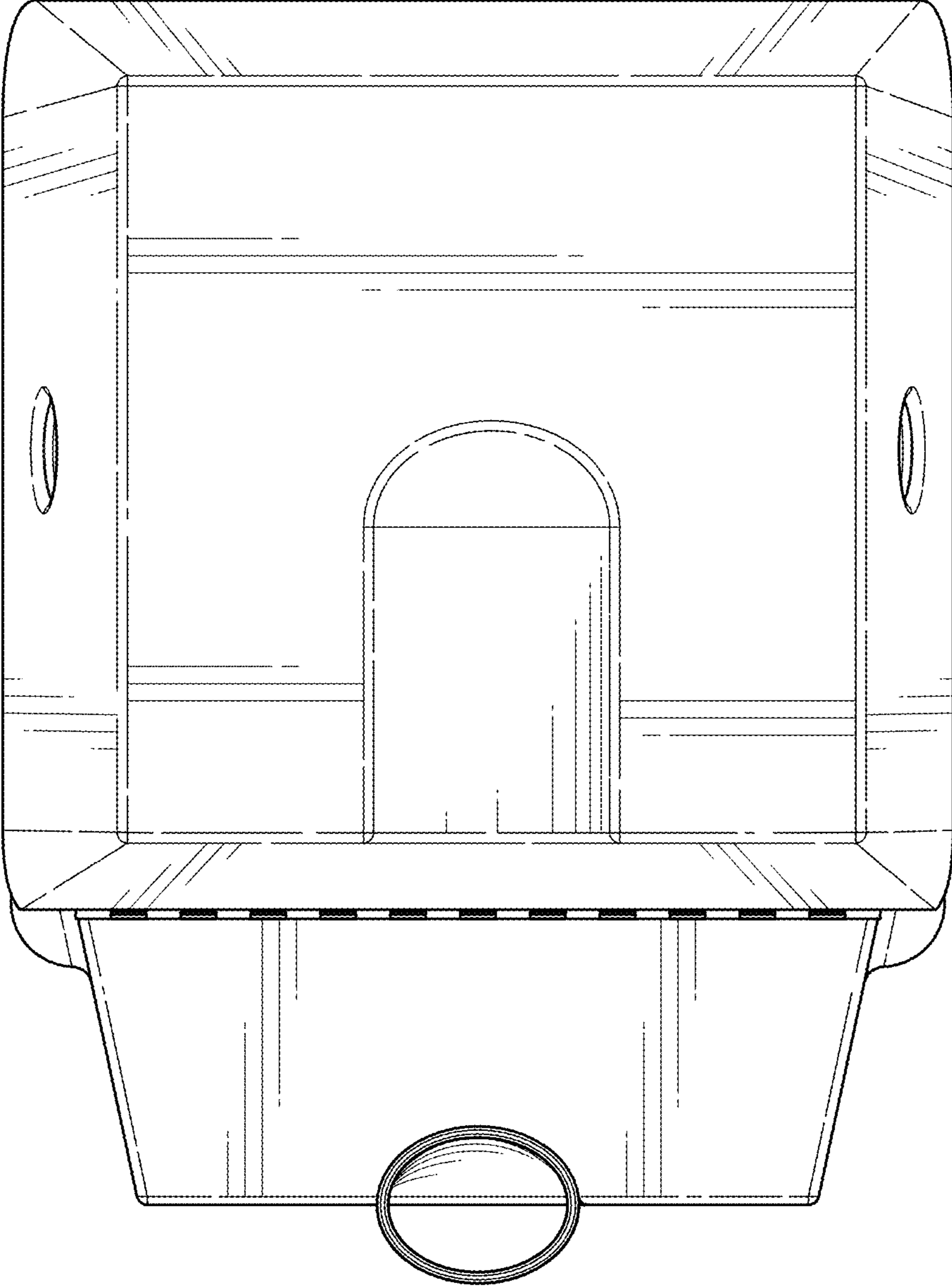


FIG. 9