



US00D808089S

(12) **United States Design Patent** (10) **Patent No.:** **US D808,089 S**  
**Wilson et al.** (45) **Date of Patent:** **\*\* Jan. 16, 2018**

(54) **PET TOY**

D264,359 S \* 5/1982 Grubb ..... D21/406  
D324,753 S \* 3/1992 Meyers, Jr. .... D1/106  
D329,731 S \* 9/1992 Adcock ..... D2/898

(71) Applicant: **Doskocil Manufacturing Company, Inc.**, Arlington, TX (US)

(Continued)

(72) Inventors: **Chris Wilson**, Plano, TX (US);  
**Nicholas Baker**, Fort Worth, TX (US);  
**Brittany Green**, Fort Worth, TX (US);  
**Ryan Wills**, Carrollton, TX (US)

*Primary Examiner* — Mary Ann Calabrese

*Assistant Examiner* — Mehri Bajoul

(74) *Attorney, Agent, or Firm* — Global IP Counselors, LLP

(73) Assignee: **DOSKOCIL MANUFACTURING COMPANY, INC.**, Arlington, TX (US)

(57) **CLAIM**

The ornamental design for a pet toy, as shown and described.

(\*\*) Term: **15 Years**

**DESCRIPTION**

(21) Appl. No.: **29/572,985**

(22) Filed: **Aug. 2, 2016**

(51) **LOC (11) Cl.** ..... **30-99**

(52) **U.S. Cl.**  
USPC ..... **D30/160**

(58) **Field of Classification Search**  
USPC ..... D30/160; D7/530, 539, 690; D21/398,  
D21/662, 682, 707; 119/709; D6/358;  
D1/106; D11/96; D24/199; 473/603  
CPC .... A01K 15/026; A63H 33/18; A63B 23/035;  
A63B 43/02

See application file for complete search history.

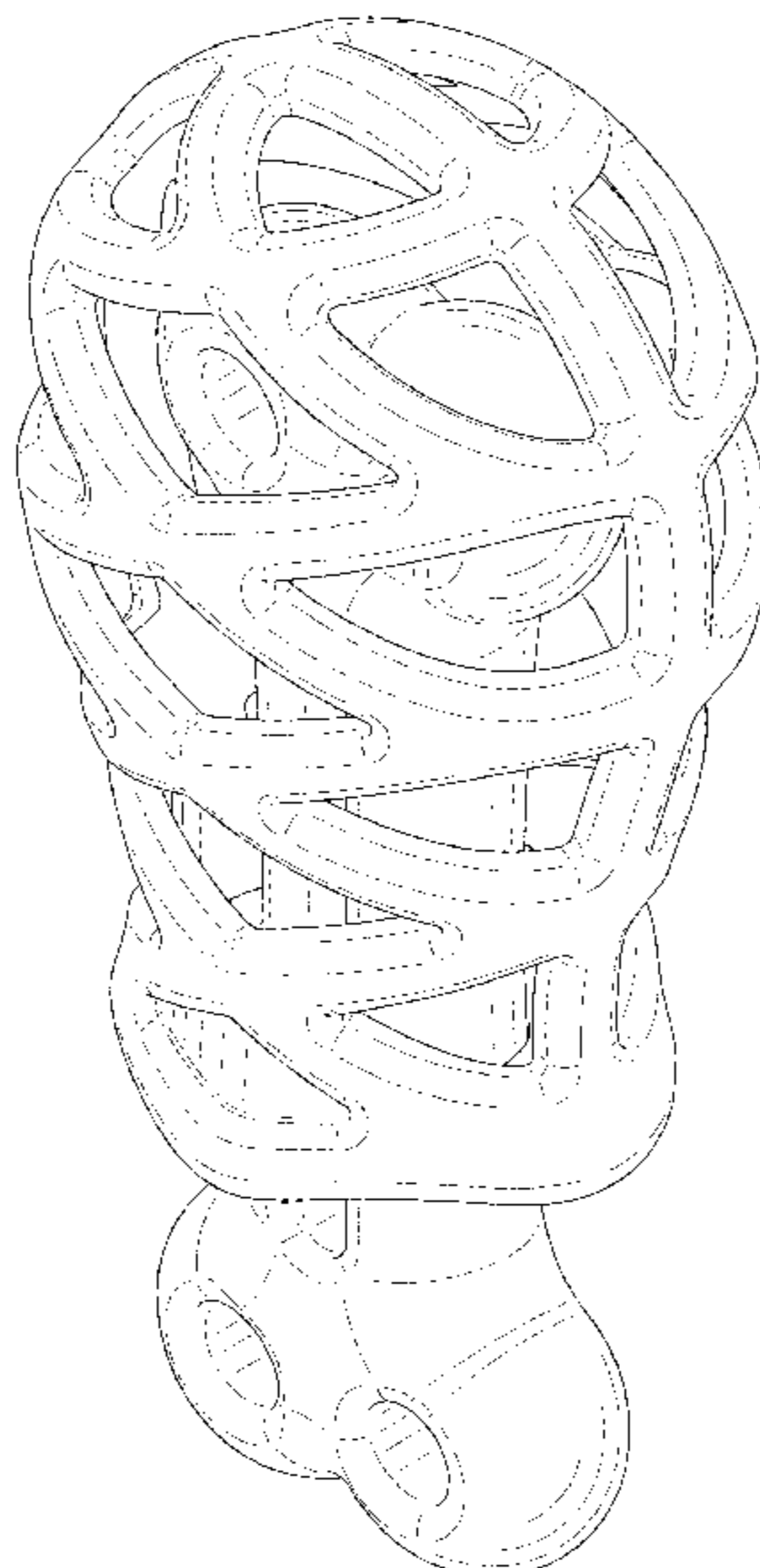
FIG. 1 is a front perspective view of a pet toy in accordance with our new design;  
FIG. 2 is a front view thereof;  
FIG. 3 is a back view thereof;  
FIG. 4 is a first side view thereof;  
FIG. 5 is a second side view thereof;  
FIG. 6 is a top view thereof;  
FIG. 7 is a bottom view thereof;  
FIG. 8 is a perspective view of the pet toy with the inner component removed and not shown for clarity of disclosure;  
FIG. 9 is a front view thereof;  
FIG. 10 is a back view thereof;  
FIG. 11 is a first side view thereof;  
FIG. 12 is a second side view thereof;  
FIG. 13 is a top view thereof;  
FIG. 14 is a bottom view thereof;  
FIG. 15 is a perspective view of the pet toy with the outer component removed and not shown for clarity of disclosure;  
FIG. 16 is a front view thereof;  
FIG. 17 is a back view thereof;  
FIG. 18 is a first side view thereof;  
FIG. 19 is a second side view thereof;  
FIG. 20 is a top view thereof; and,  
FIG. 21 is a bottom view thereof.

(56) **References Cited**

U.S. PATENT DOCUMENTS

3,026,209 A \* 3/1962 Niblack ..... B65D 77/00  
206/204  
3,889,950 A \* 6/1975 Kasravi ..... A63H 33/18  
190/1  
D251,756 S \* 5/1979 McCrary ..... D2/898  
D252,236 S \* 7/1979 McCrary ..... D2/978  
D254,717 S \* 4/1980 Mascia ..... D9/643  
4,200,040 A \* 4/1980 MacRae ..... A47J 43/18  
211/181.1

**1 Claim, 18 Drawing Sheets**



(56)

References Cited

U.S. PATENT DOCUMENTS

5,607,709 A \* 3/1997 Fritz ..... B65D 1/34  
206/459.5  
6,093,441 A \* 7/2000 Axelrod ..... A01K 15/026  
426/630  
6,098,571 A \* 8/2000 Axelrod ..... A01K 5/0114  
119/707  
D460,601 S \* 7/2002 Tenzer ..... D1/106  
D476,808 S \* 7/2003 Carr ..... D3/271.2  
D477,441 S \* 7/2003 Willinger ..... D21/713  
D489,494 S \* 5/2004 Silvergate ..... D21/713  
D495,593 S \* 9/2004 Graves ..... D8/378  
D496,518 S \* 9/2004 Tepper ..... D1/106  
D508,592 S \* 8/2005 Winkler ..... D11/131  
D515,253 S \* 2/2006 Viola ..... A01K 15/026  
D1/199  
D521,183 S \* 5/2006 Lin ..... D27/148  
D536,506 S \* 2/2007 Unlu ..... D1/106  
D541,601 S \* 5/2007 Fung ..... D7/690  
D552,634 S \* 10/2007 Janiszewski ..... D15/90  
D563,609 S \* 3/2008 Gick ..... D30/160  
D582,223 S \* 12/2008 Vendl ..... D7/690  
D588,044 S \* 3/2009 Cion ..... D11/82

D596,248 S \* 7/2009 Silvergate ..... D21/398  
D608,061 S \* 1/2010 Seager ..... D30/162  
D620,207 S \* 7/2010 Byrne ..... D30/160  
D627,935 S \* 11/2010 Rutherford ..... D21/603  
D635,685 S \* 4/2011 Hendricks ..... D24/199  
8,127,720 B2 \* 3/2012 Willinger ..... A01K 15/026  
119/709  
D678,813 S \* 3/2013 Akbik ..... D11/121  
D697,275 S \* 1/2014 Yerton ..... D1/106  
D702,405 S \* 4/2014 Yerton ..... D1/106  
8,753,235 B1 \* 6/2014 Daniel ..... A63B 41/00  
473/603  
D740,101 S \* 10/2015 Chance ..... D8/330  
D740,500 S \* 10/2015 Wickens ..... D30/160  
D749,375 S \* 2/2016 Makela ..... D7/688  
D779,001 S \* 2/2017 Nimes ..... D21/707  
D779,136 S \* 2/2017 Eisenbarth ..... D30/160  
2005/0275228 A1 \* 12/2005 Davis ..... E01H 1/1206  
294/1.3  
2009/0170643 A1 \* 7/2009 Silvergate ..... A63B 39/00  
473/567  
2011/0212798 A1 \* 9/2011 Zawitz ..... A63B 39/00  
473/570  
2014/0373788 A1 \* 12/2014 Ragonetti ..... A01K 15/025  
119/51.01

\* cited by examiner

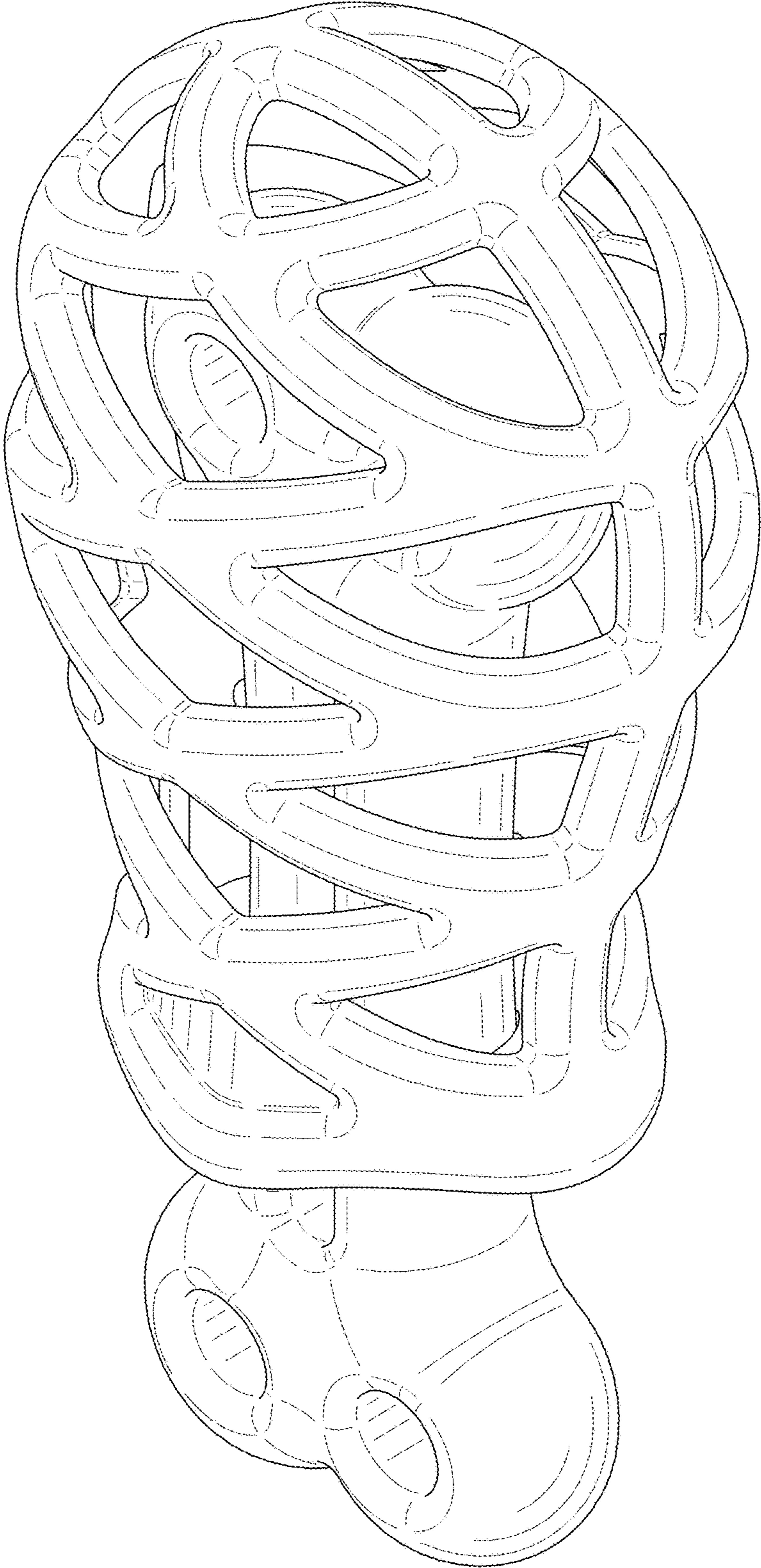


FIG. 1

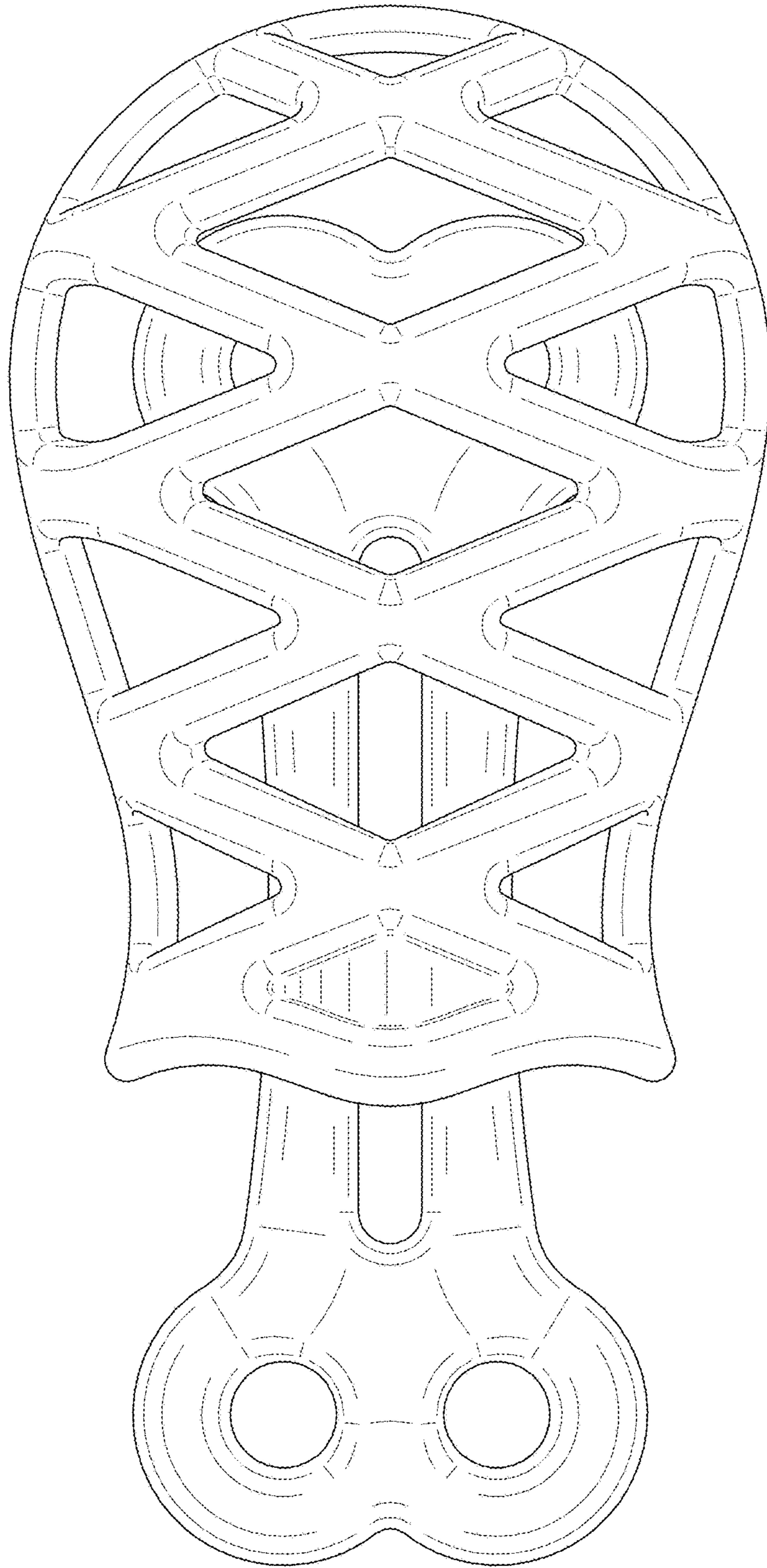


FIG. 2

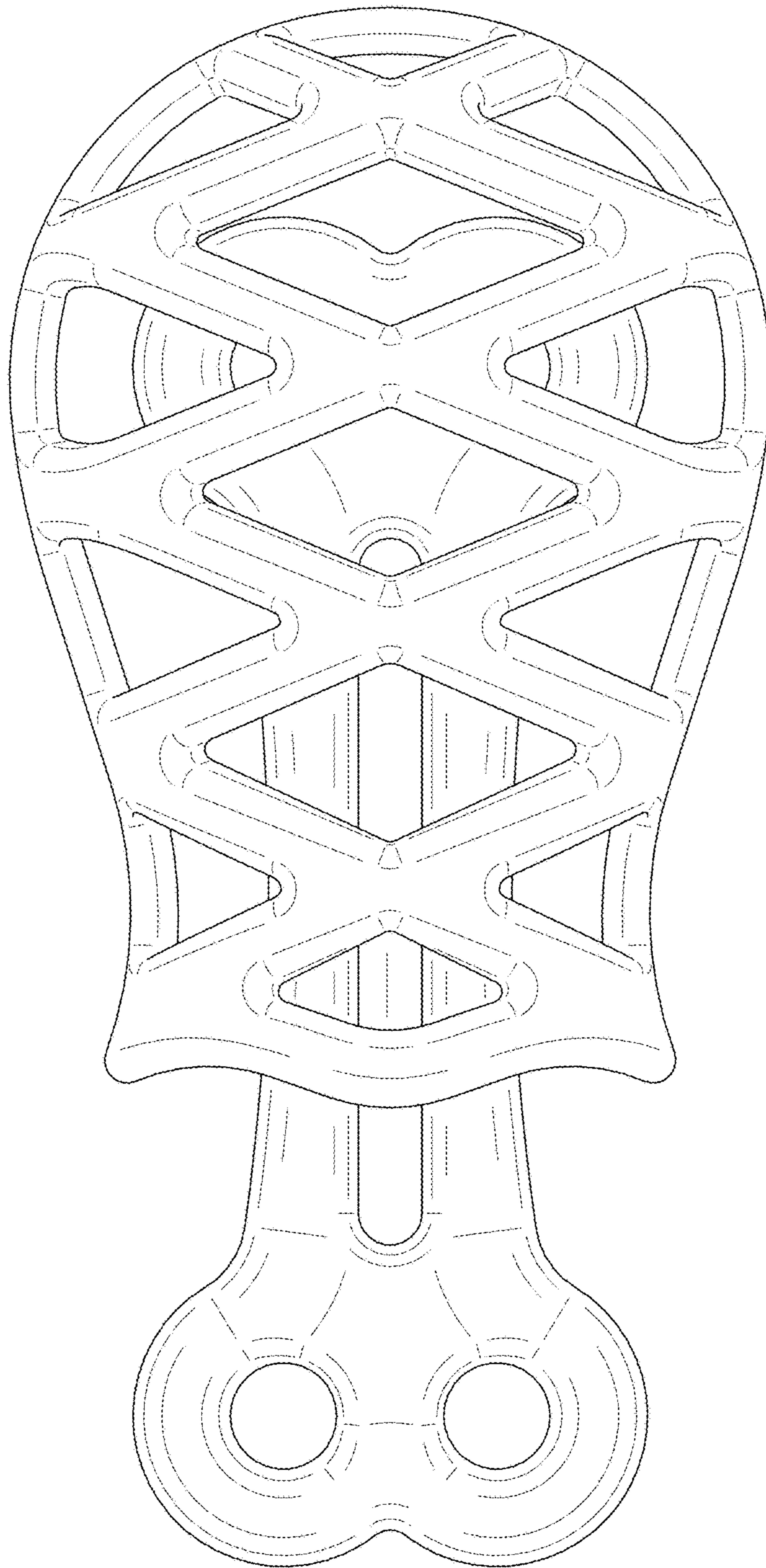


FIG. 3

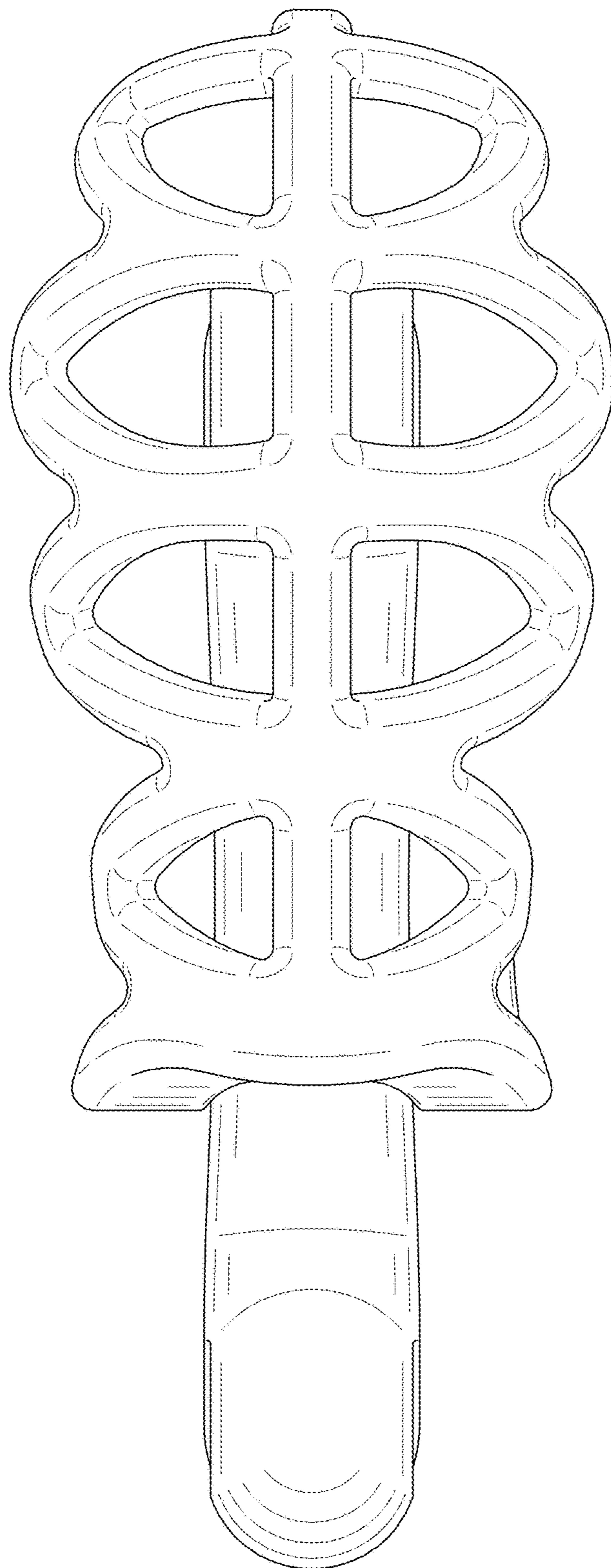


FIG. 4

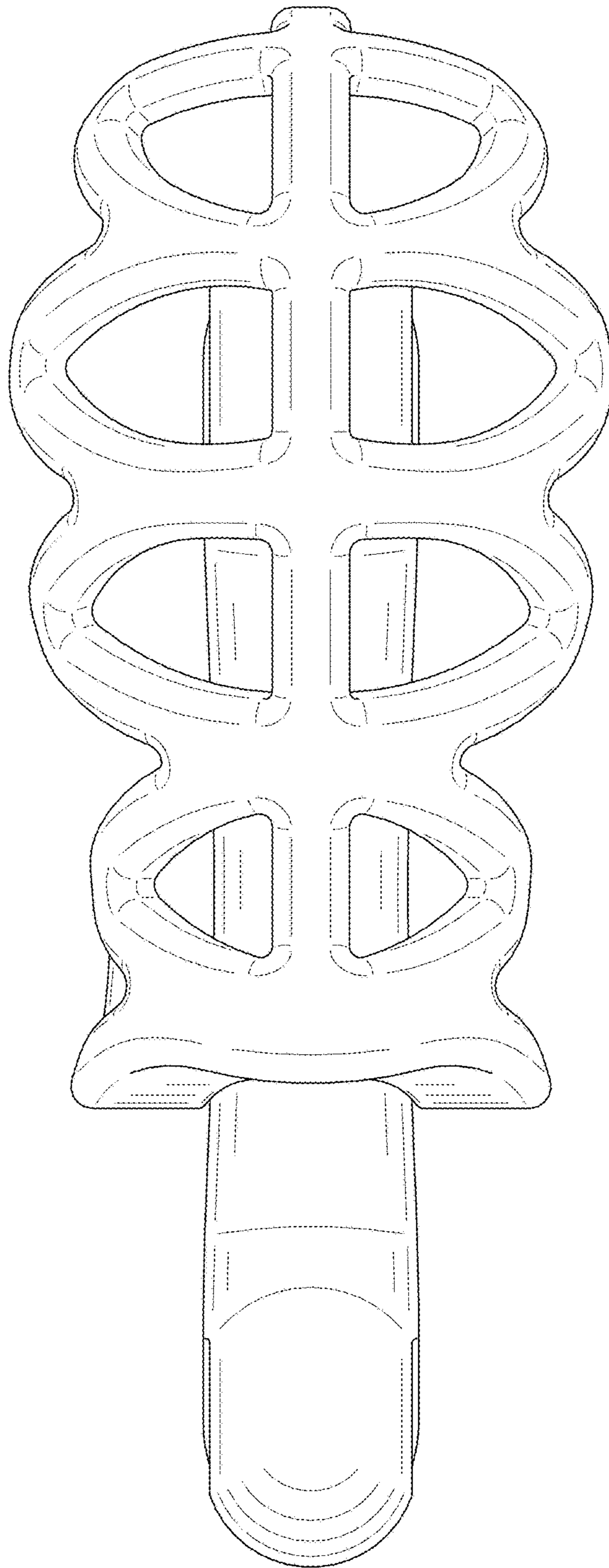


FIG. 5

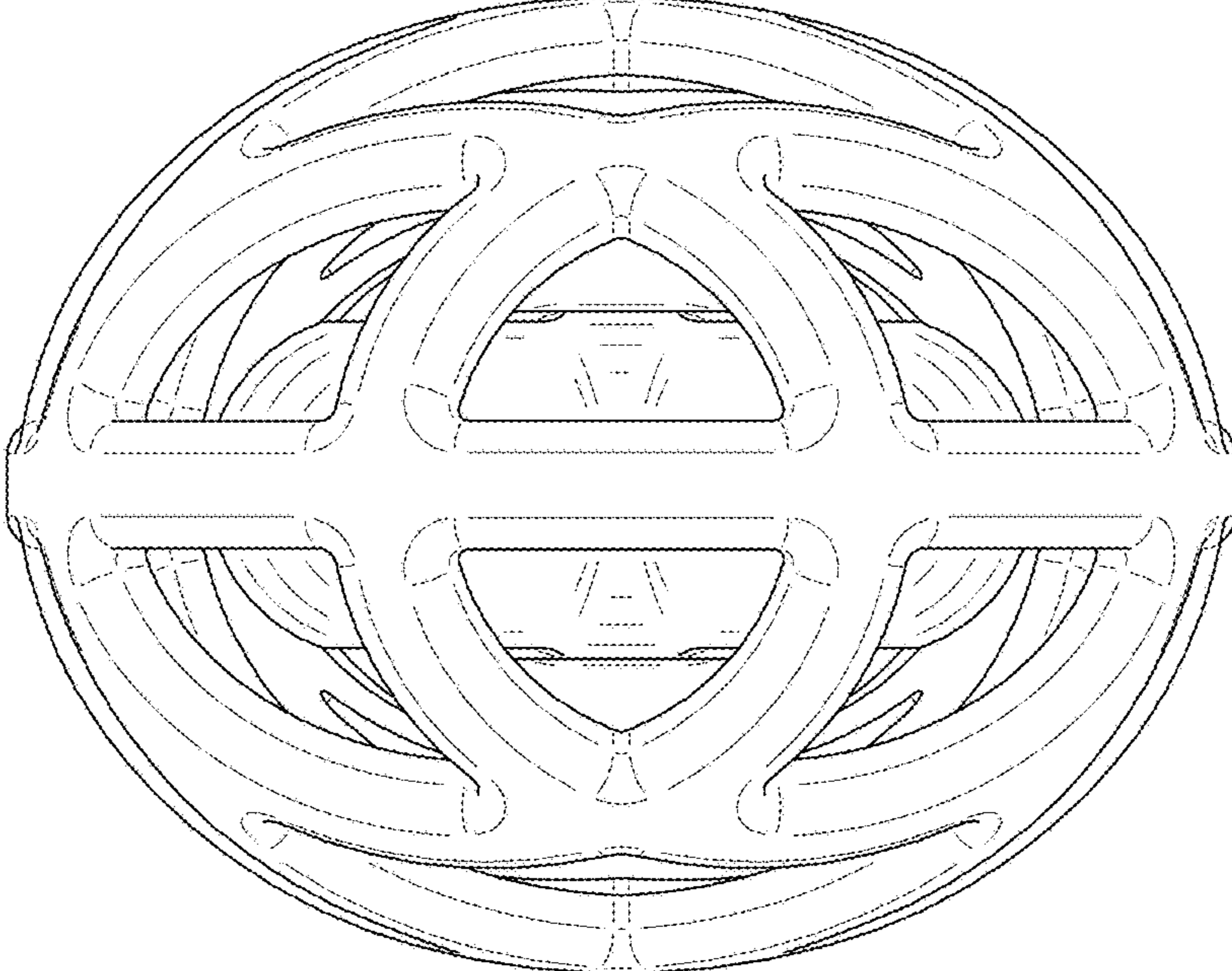


FIG. 6

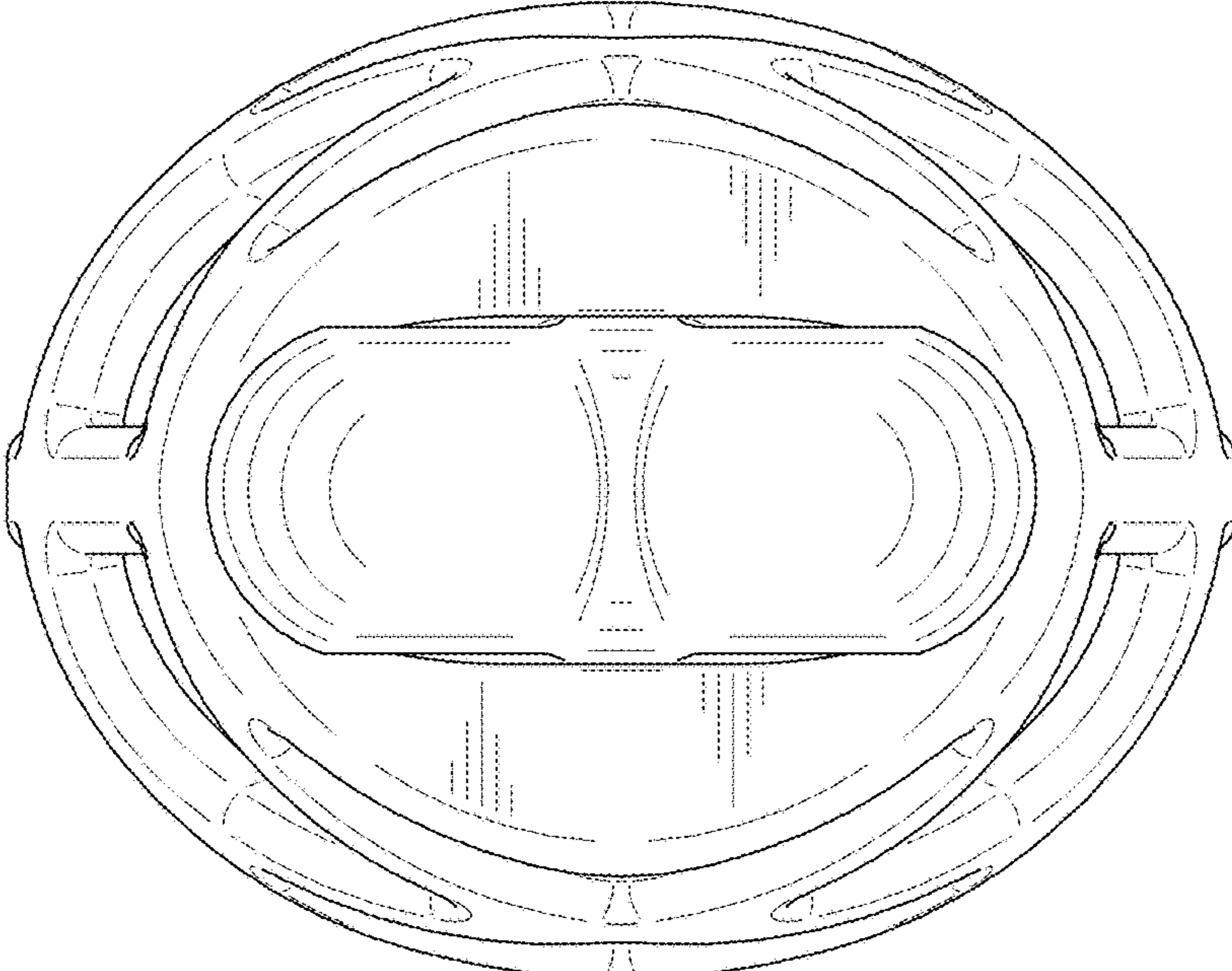


FIG. 7



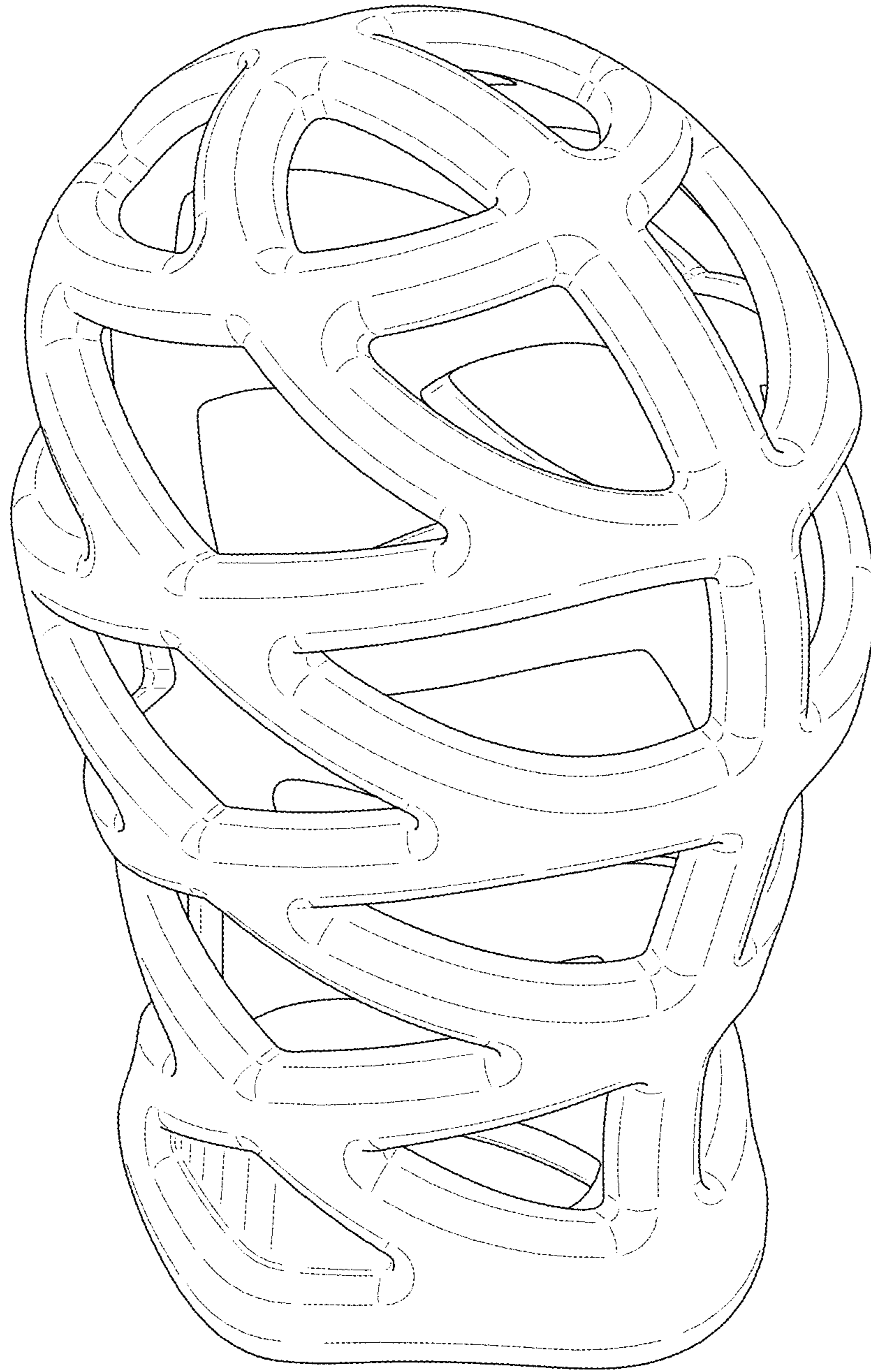


FIG. 8

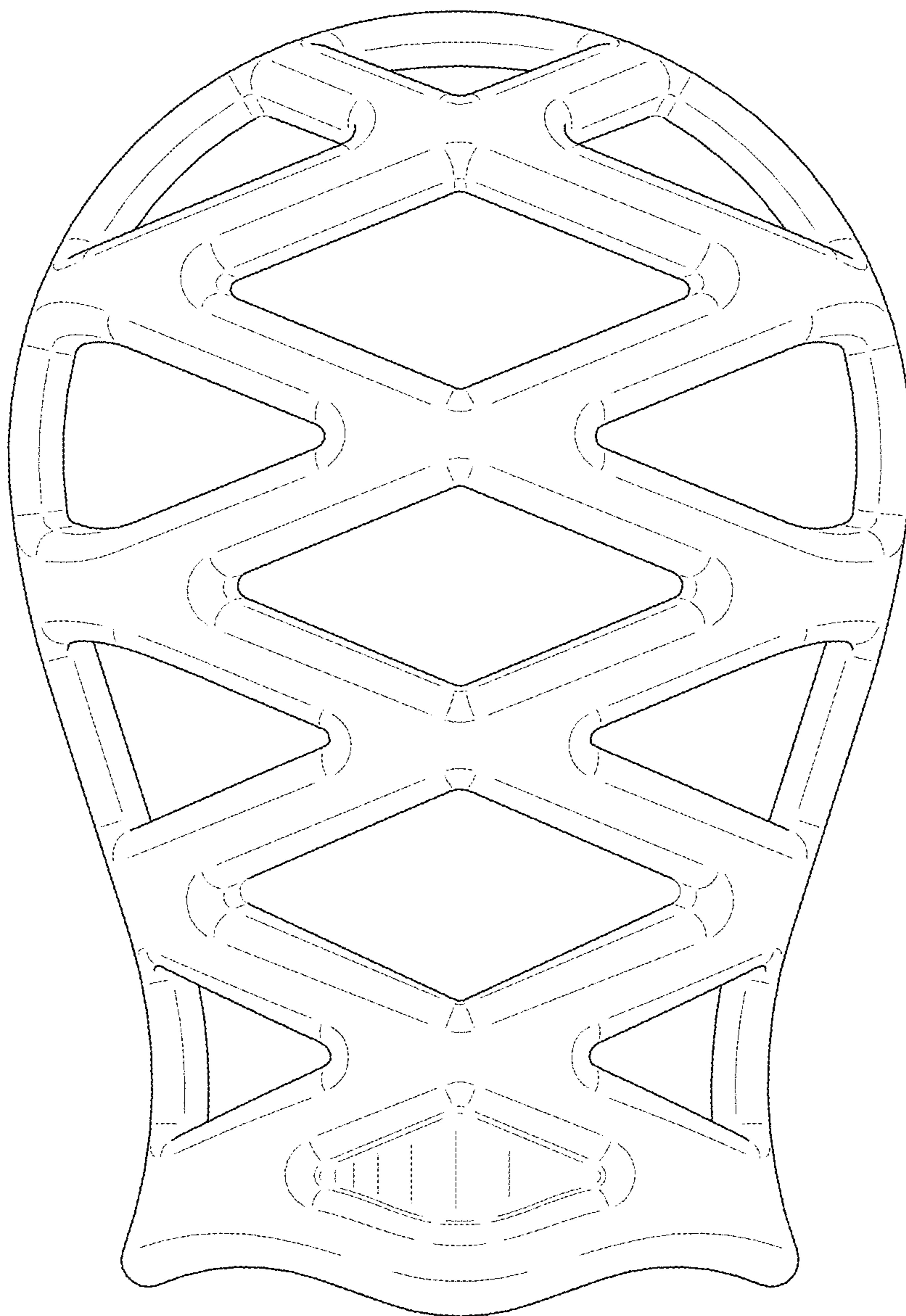


FIG. 9

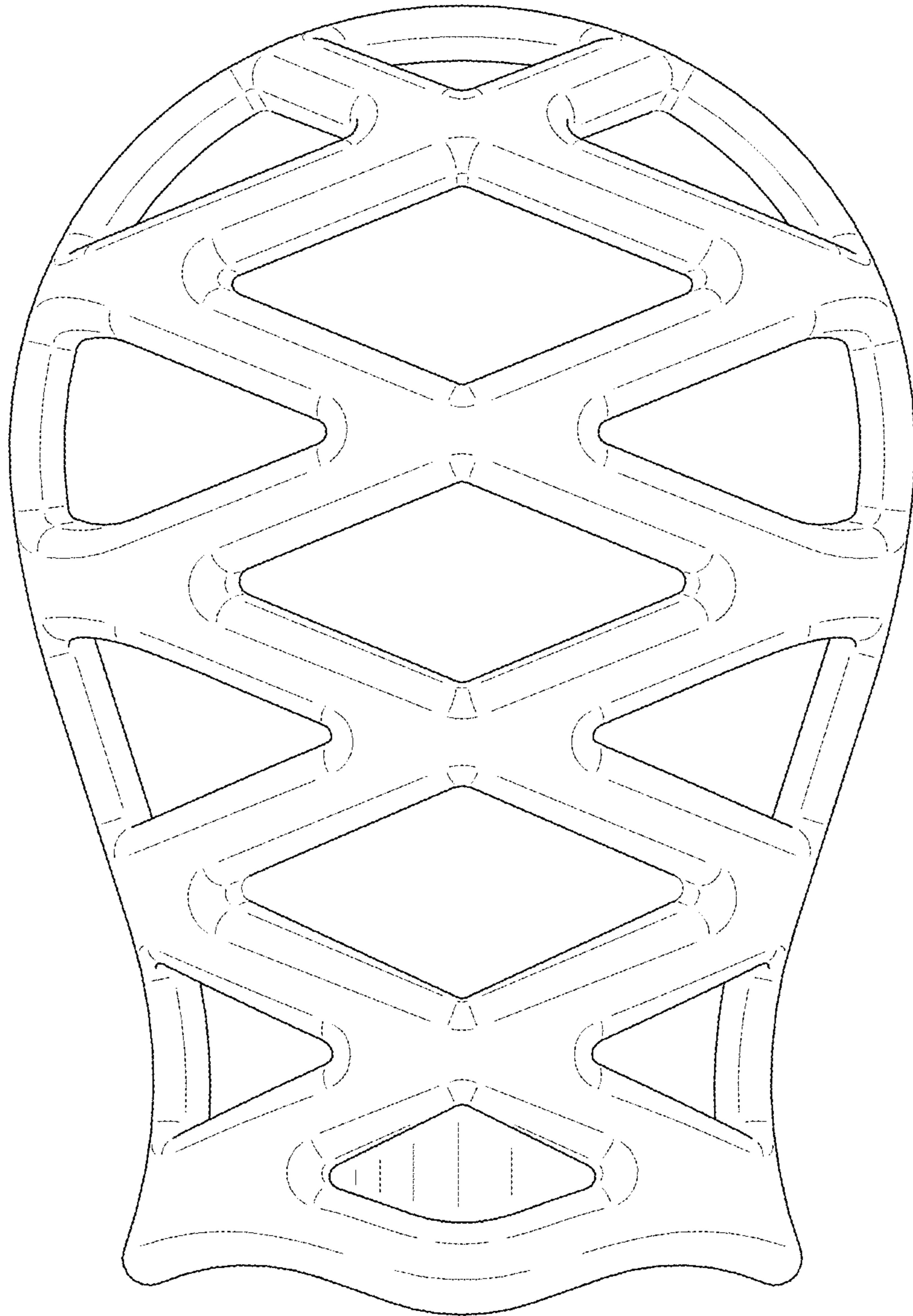


FIG. 10

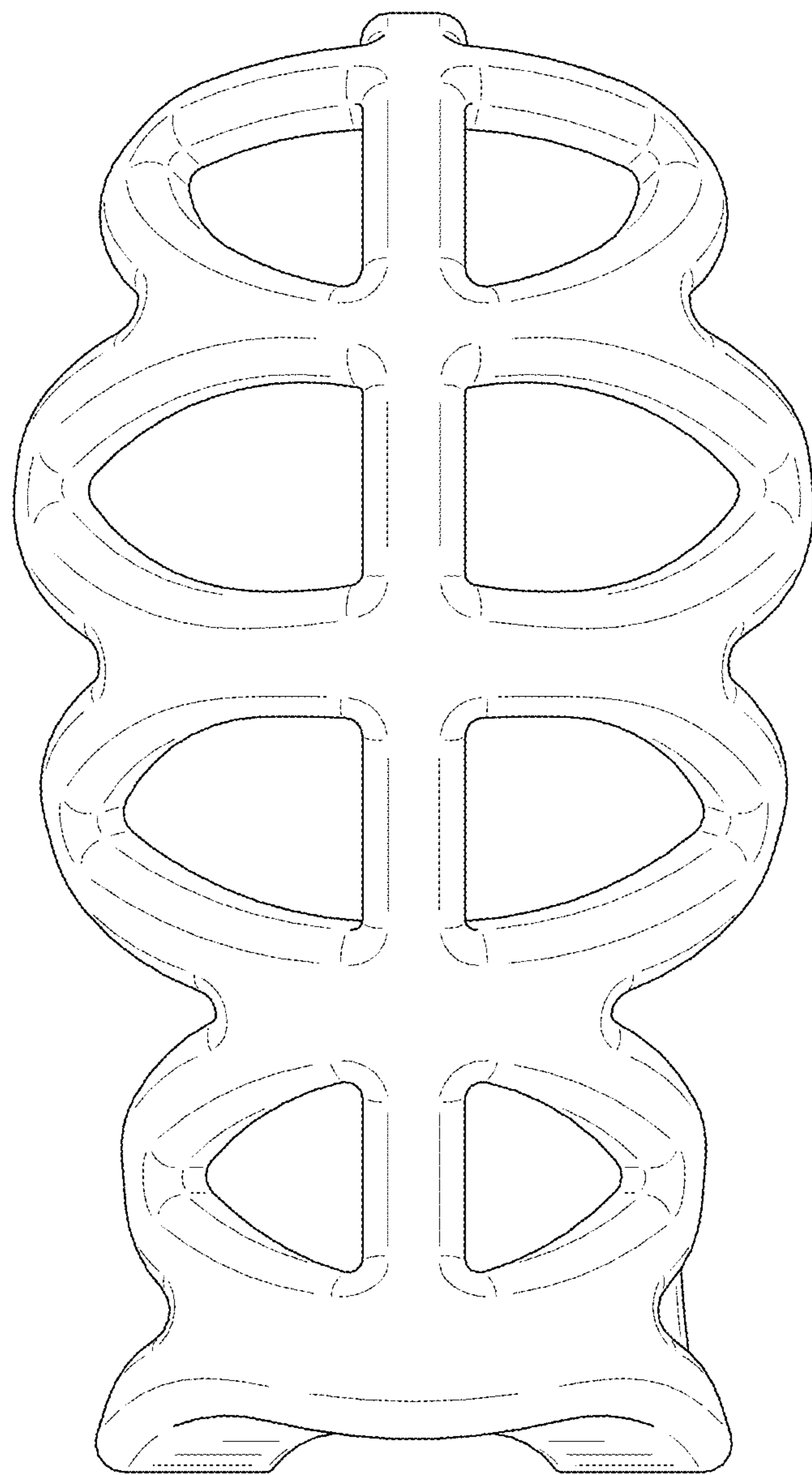


FIG. 11

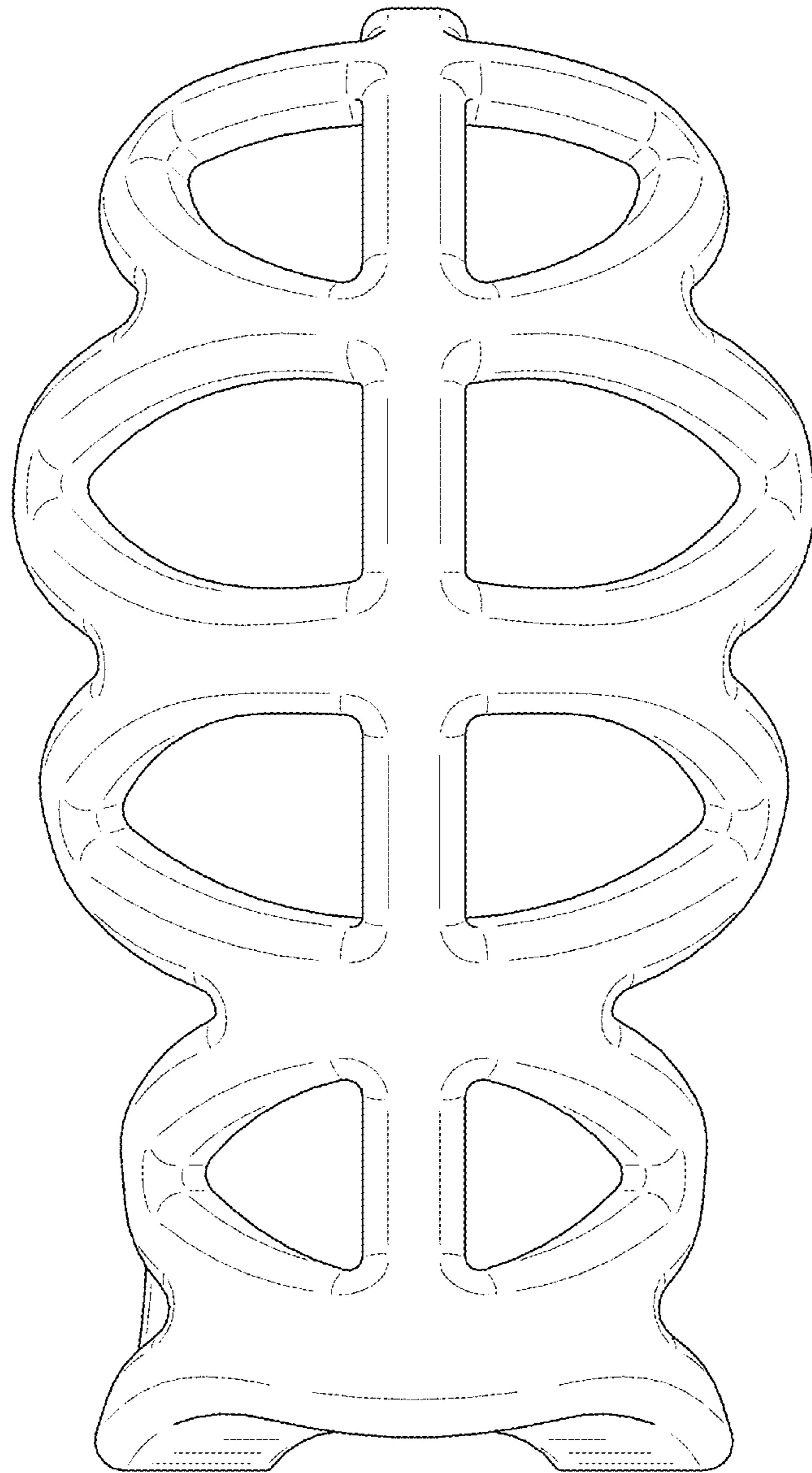


FIG. 12

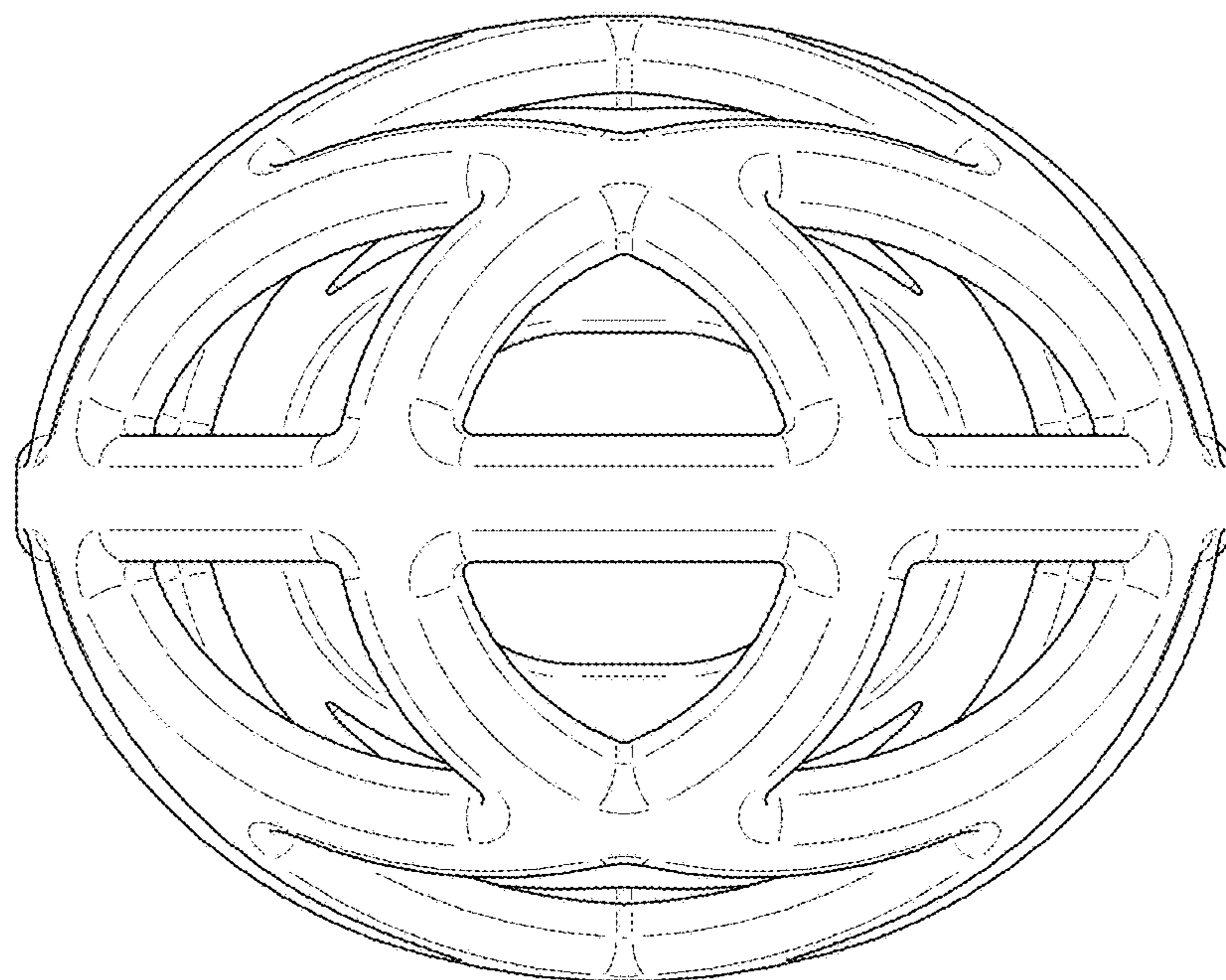


FIG. 13

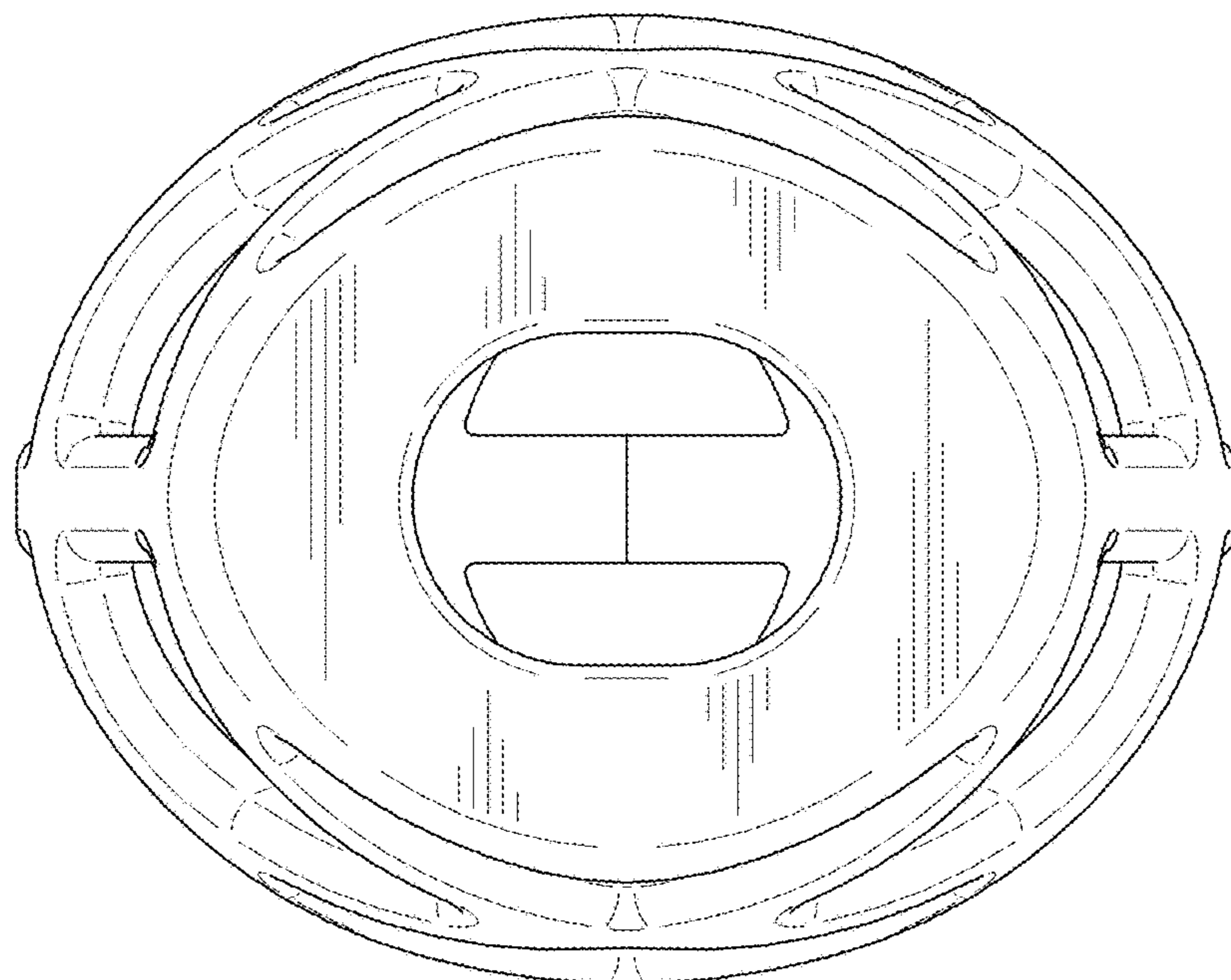


FIG. 14

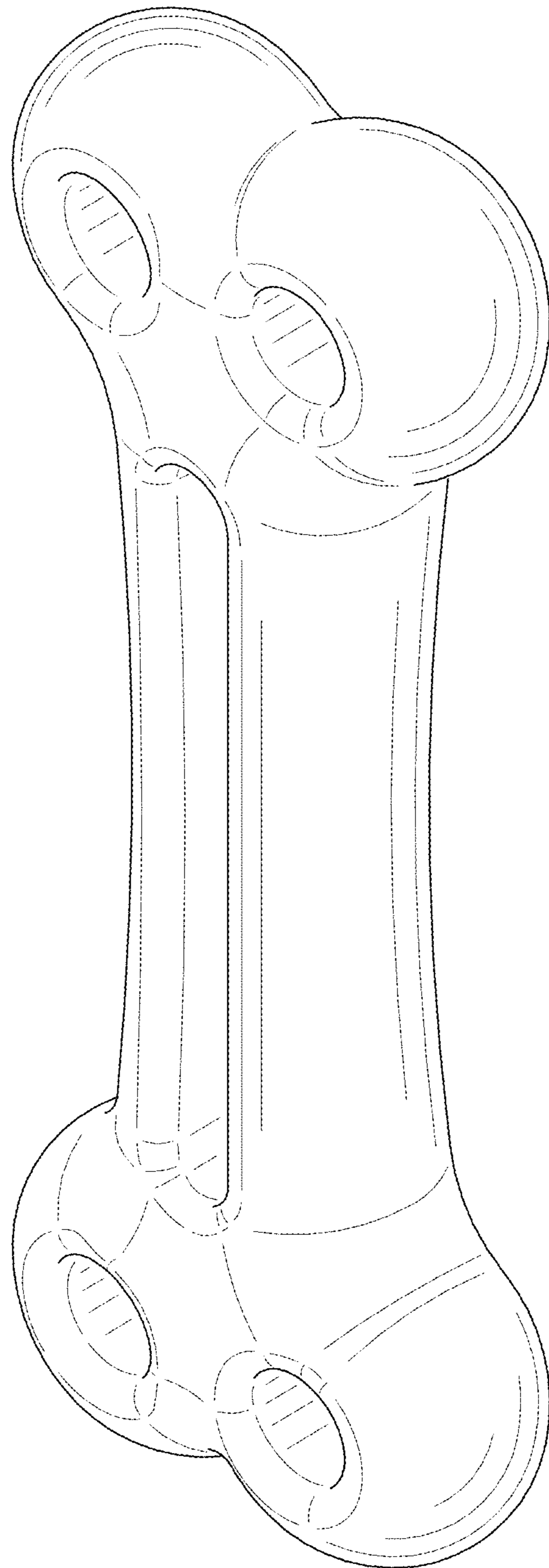


FIG. 15

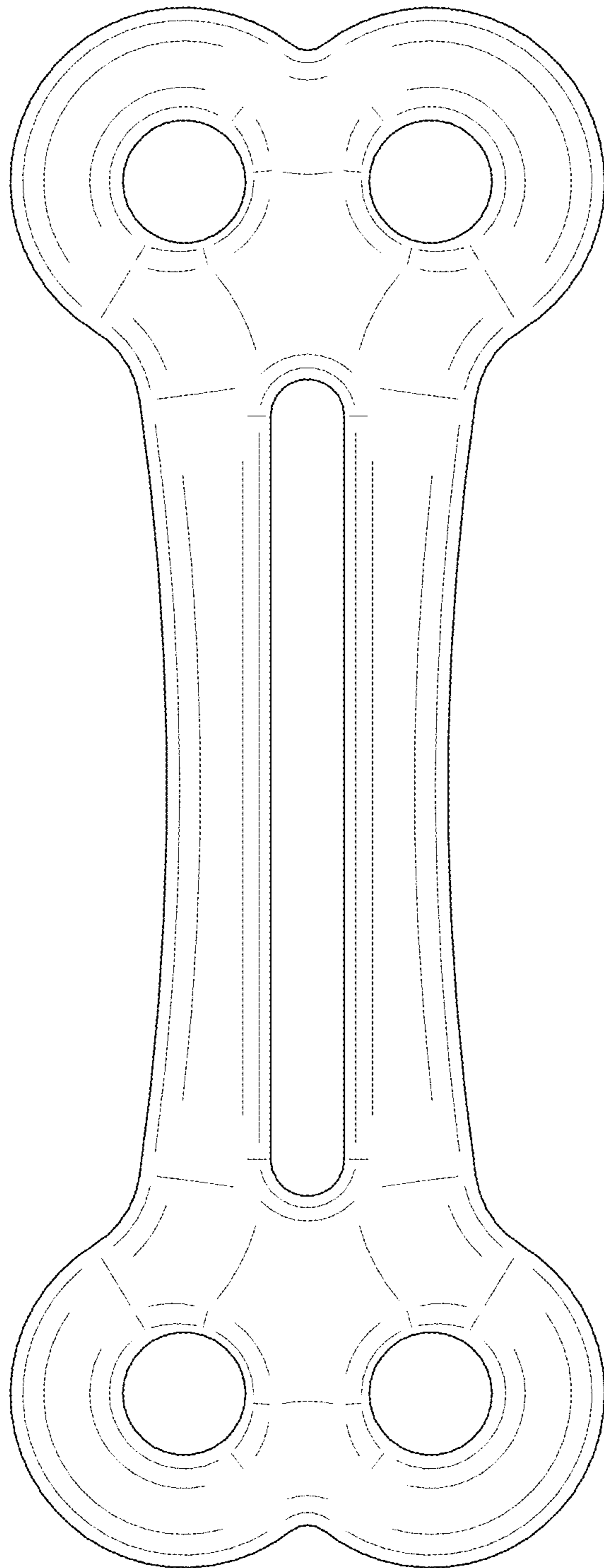


FIG. 16



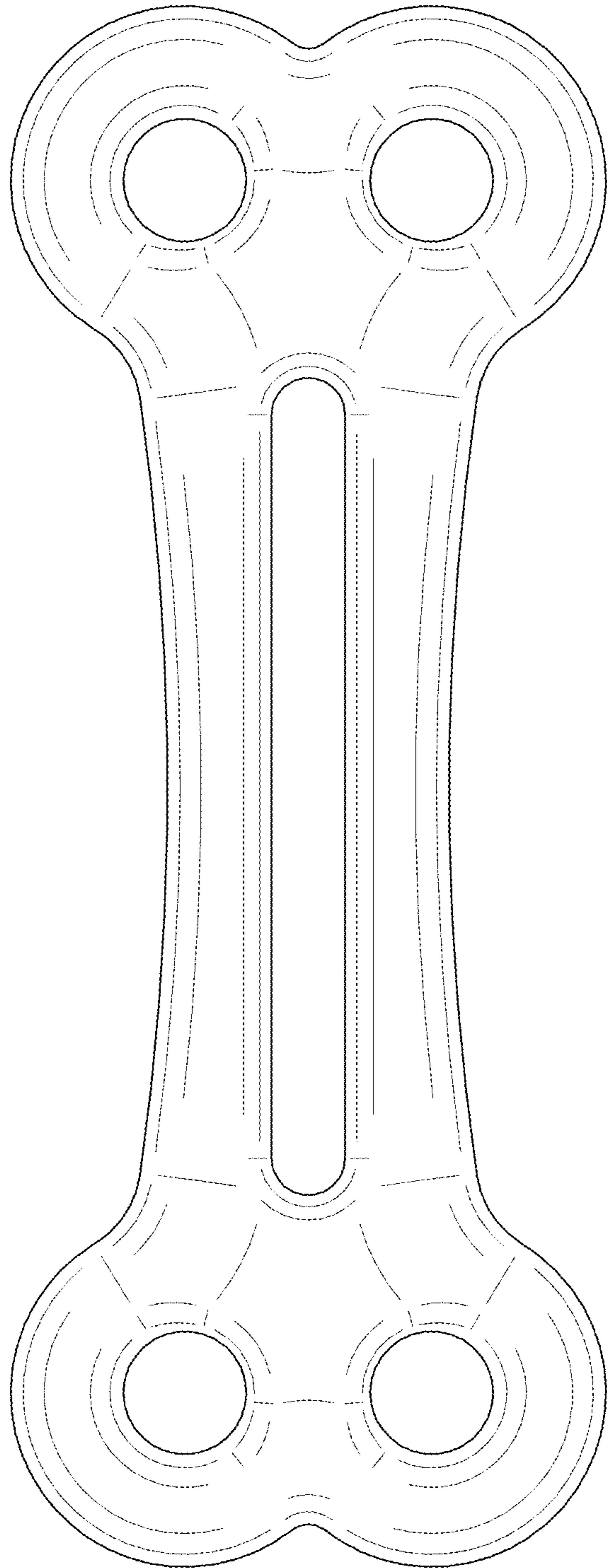


FIG. 17

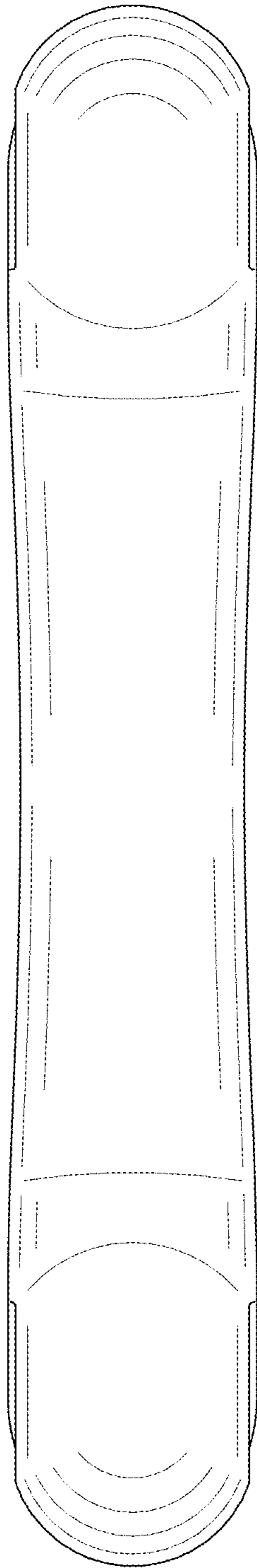


FIG. 18

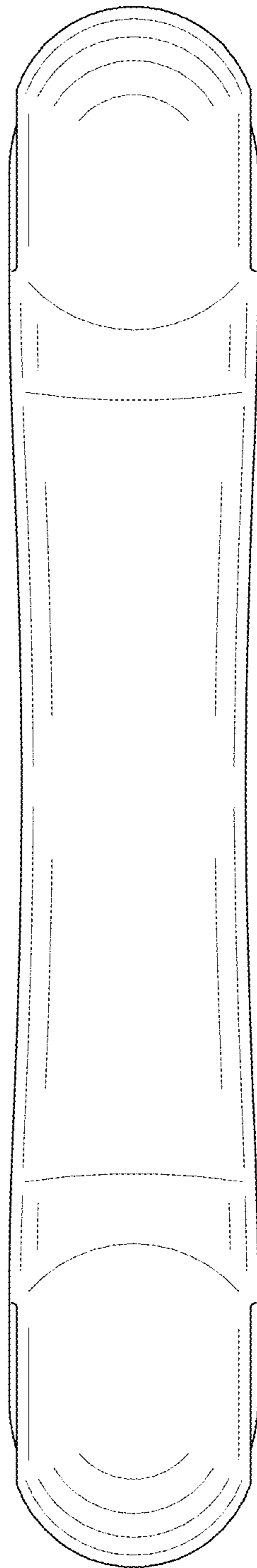


FIG. 19

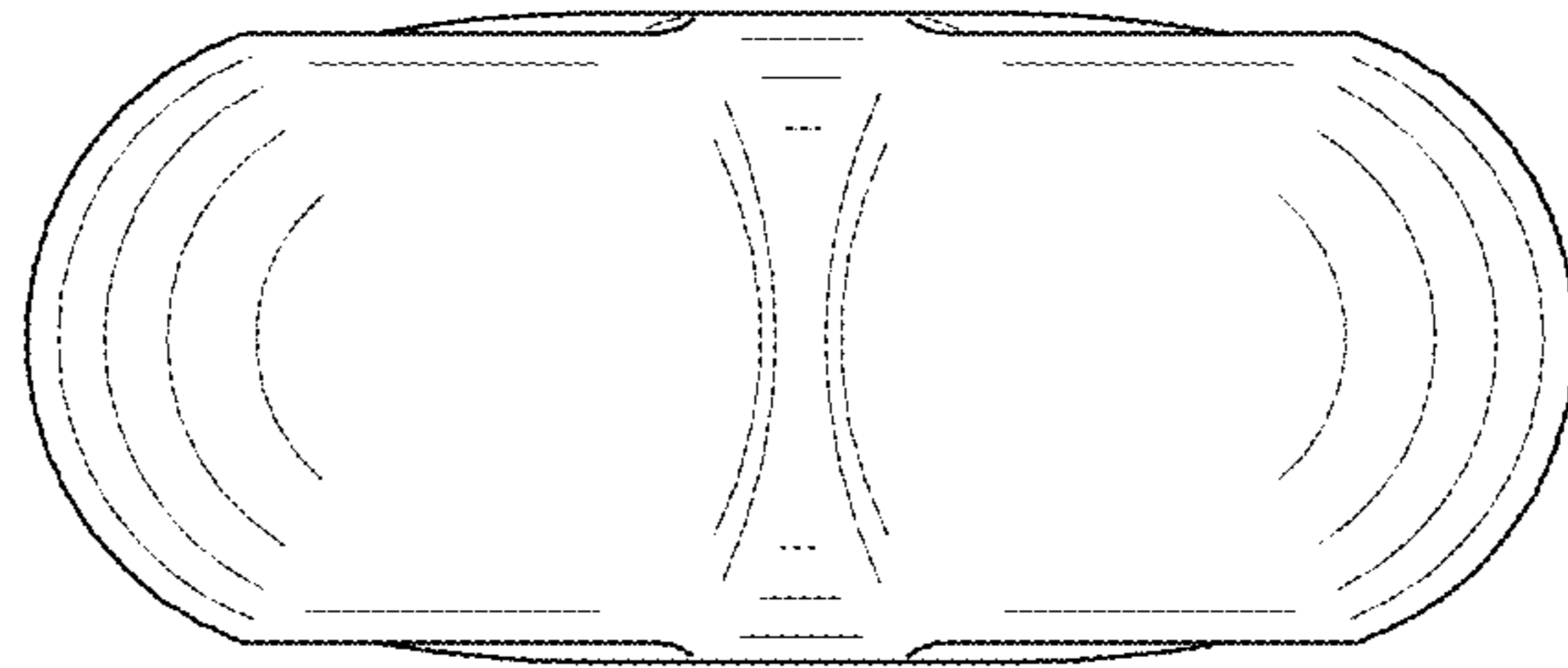


FIG. 20

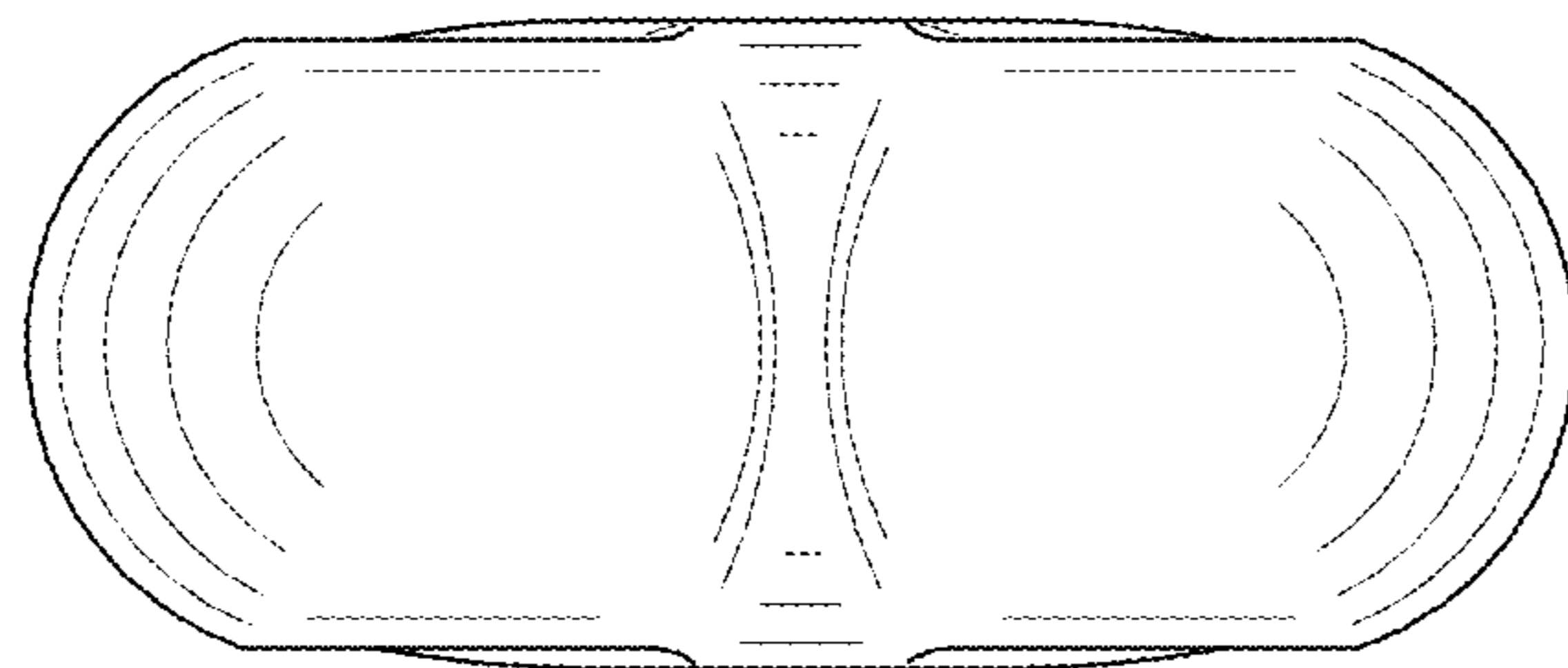


FIG. 21