



US00D808087S

(12) **United States Design Patent**  
**Floyd et al.**

(10) **Patent No.:** **US D808,087 S**  
(45) **Date of Patent:** **\*\* Jan. 16, 2018**

(54) **CAT SCRATCHER**

(71) Applicant: **Worldwise, Inc.**, Novato, CA (US)

(72) Inventors: **Charles Floyd**, Oakland, CA (US);  
**Michael Rizzo**, Napa, CA (US); **Aimee Diskin**, Napa, CA (US); **Hannah Rosenberg**, San Francisco, CA (US)

(73) Assignee: **Worldwise, Inc.**, Novato, CA (US)

(\*\*) Term: **15 Years**

(21) Appl. No.: **29/560,564**

(22) Filed: **Apr. 7, 2016**

**Related U.S. Application Data**

(63) Continuation of application No. 14/686,213, filed on Apr. 14, 2015.

(51) **LOC (11) Cl.** ..... **30-99**

(52) **U.S. Cl.**  
USPC ..... **D30/160**

(58) **Field of Classification Search**  
USPC ..... D30/160; D24/133, 215  
CPC .. A01K 15/024; A01K 15/025; A01K 15/026;  
A01K 15/027

See application file for complete search history.

(56) **References Cited**

**U.S. PATENT DOCUMENTS**

D406,678 S \* 3/1999 Rittenhouse ..... D30/108  
D444,600 S \* 7/2001 Spritzer ..... D30/160

D614,364 S \* 4/2010 Kellogg ..... D30/160  
8,327,806 B2 \* 12/2012 Haaf ..... A01K 15/024  
119/706  
8,336,501 B2 \* 12/2012 Haaf ..... A01K 15/025  
119/621  
D723,752 S \* 3/2015 Davis-David ..... D30/160

\* cited by examiner

*Primary Examiner* — Cathy Anne MacCormac

(74) *Attorney, Agent, or Firm* — Bay Area Technology Law Group PC

(57) **CLAIM**

The ornamental design for a cat scratcher, as shown and described.

**DESCRIPTION**

FIG. 1 is a perspective view of a cat scratcher showing our new design.

FIG. 2 is a front view of FIG. 1;

FIG. 3 is a hack plan view of FIG. 1;

FIG. 4 is a right side view of FIG. 1;

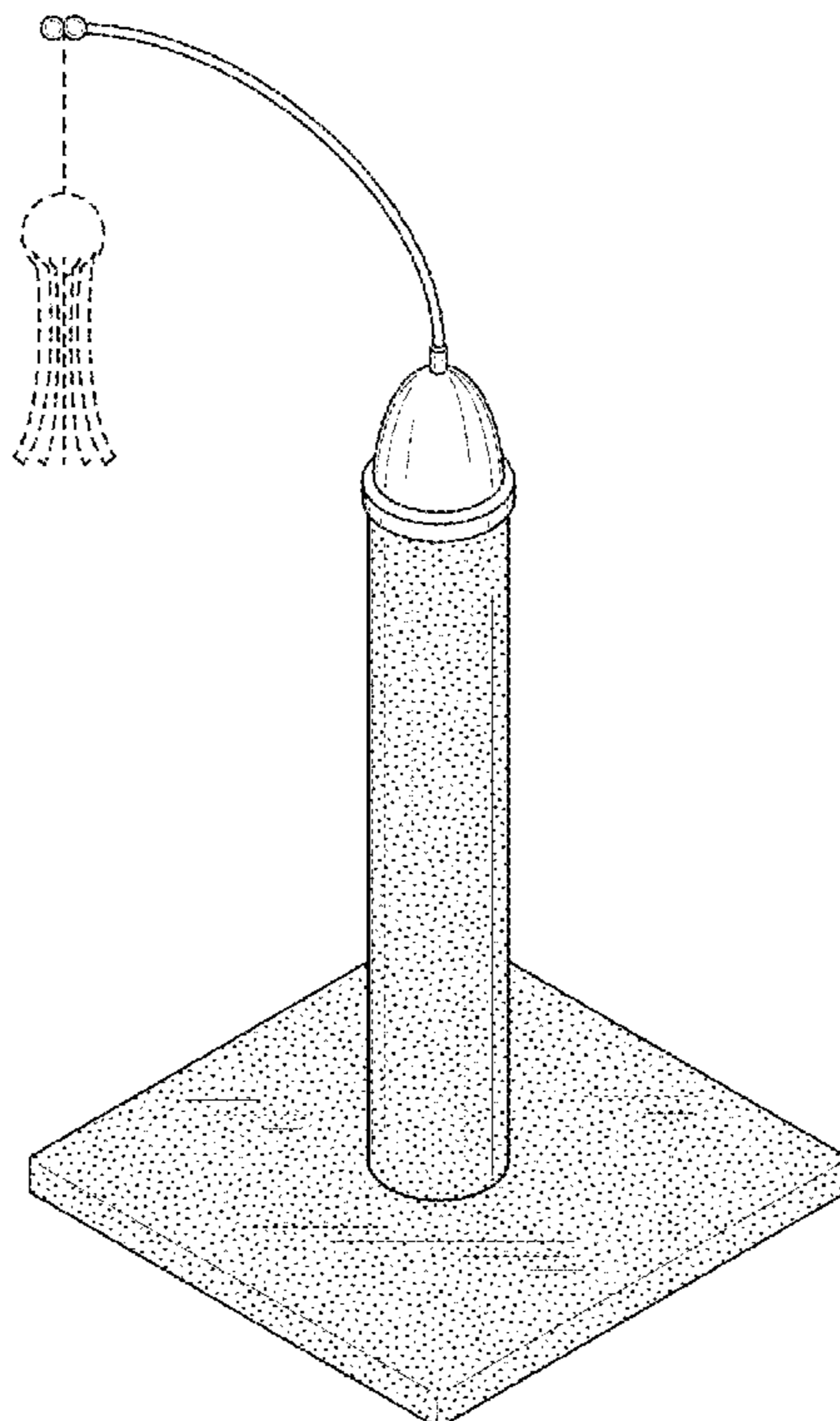
FIG. 5 is a left side view of FIG. 1;

FIG. 6 is a top view of FIG. 1; and,

FIG. 7 is a bottom view of FIG. 1.

The broken lines depict environmental subject matter and form no part of the claimed design.

**1 Claim, 4 Drawing Sheets**



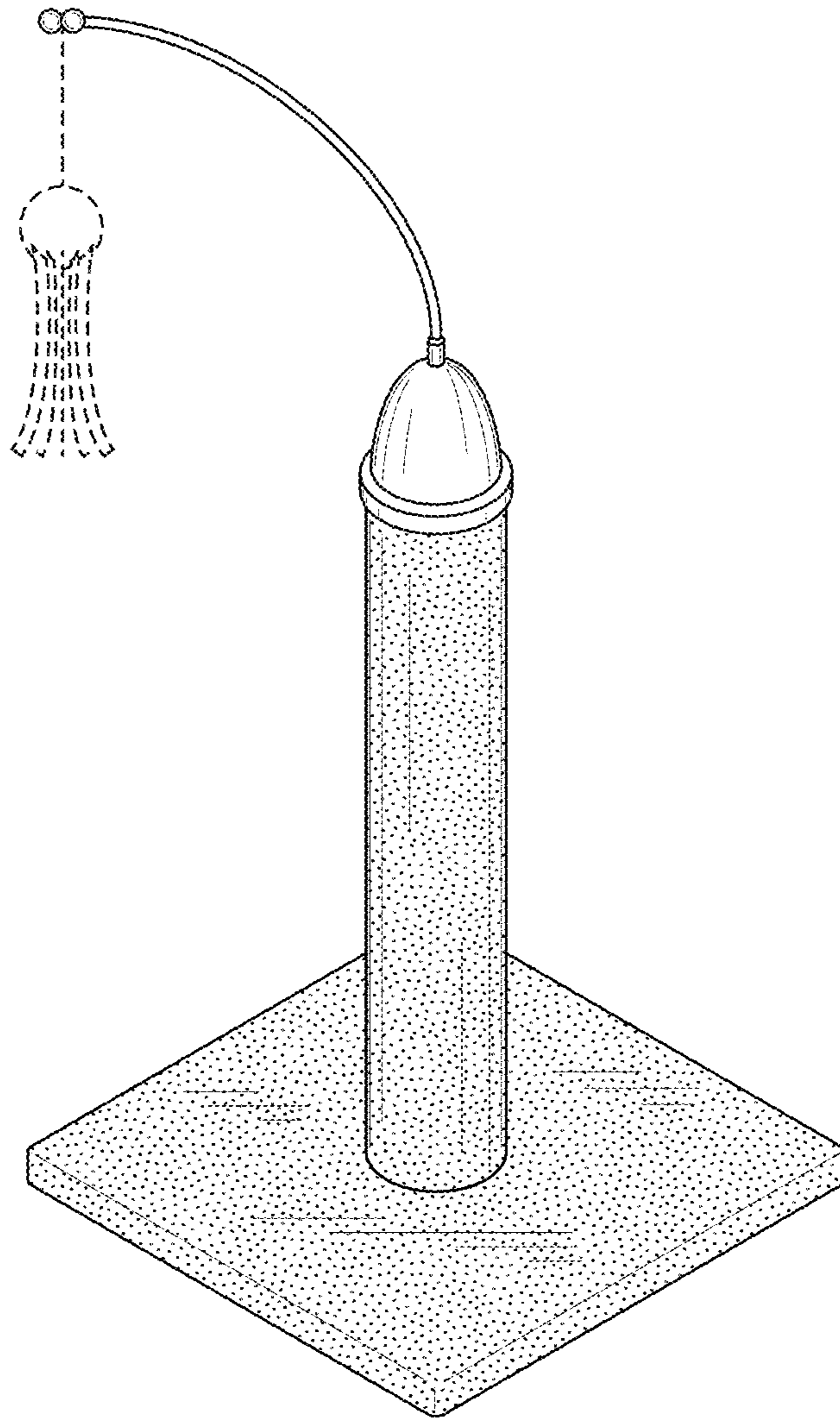


FIG. 1

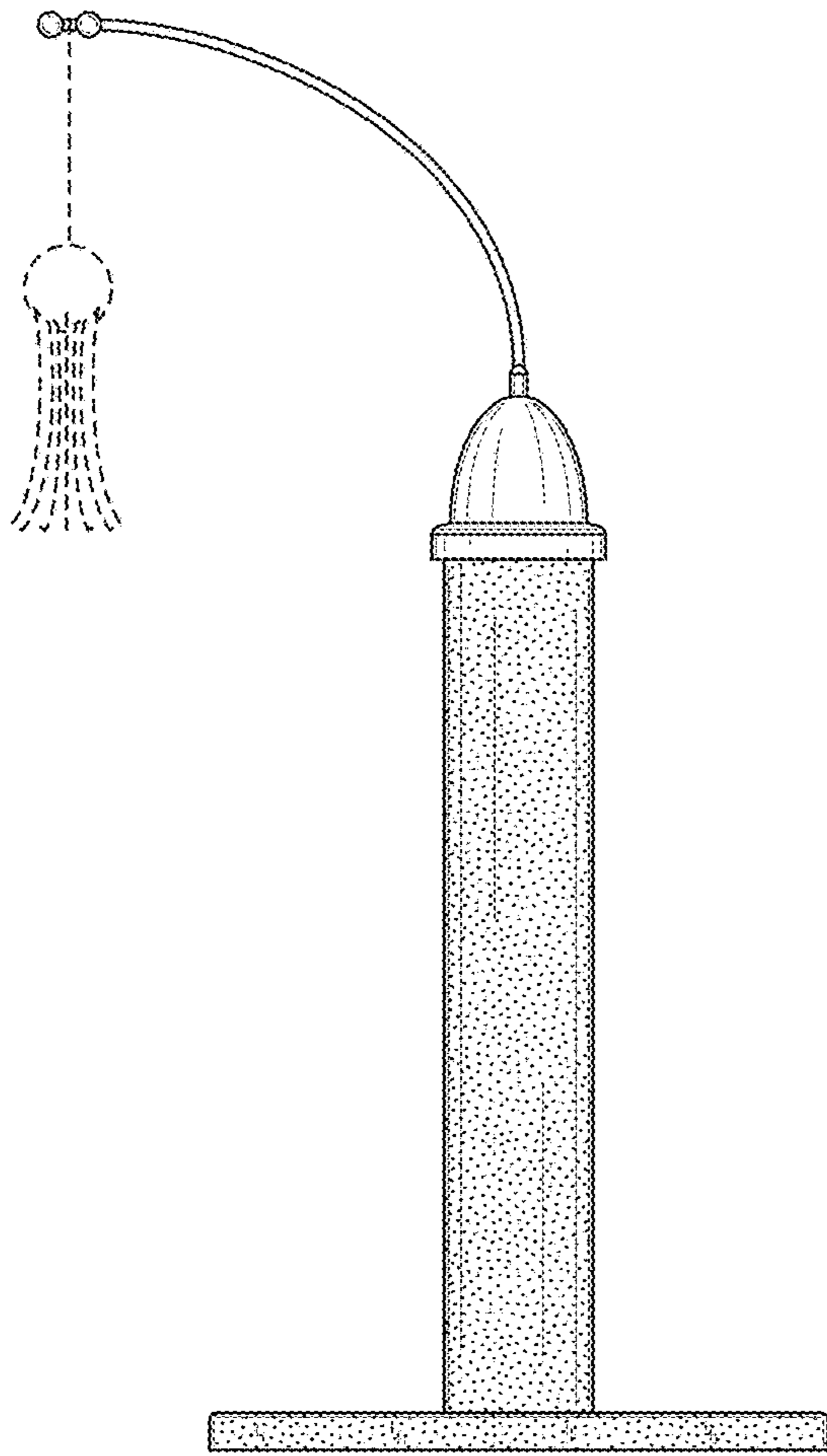


FIG. 2

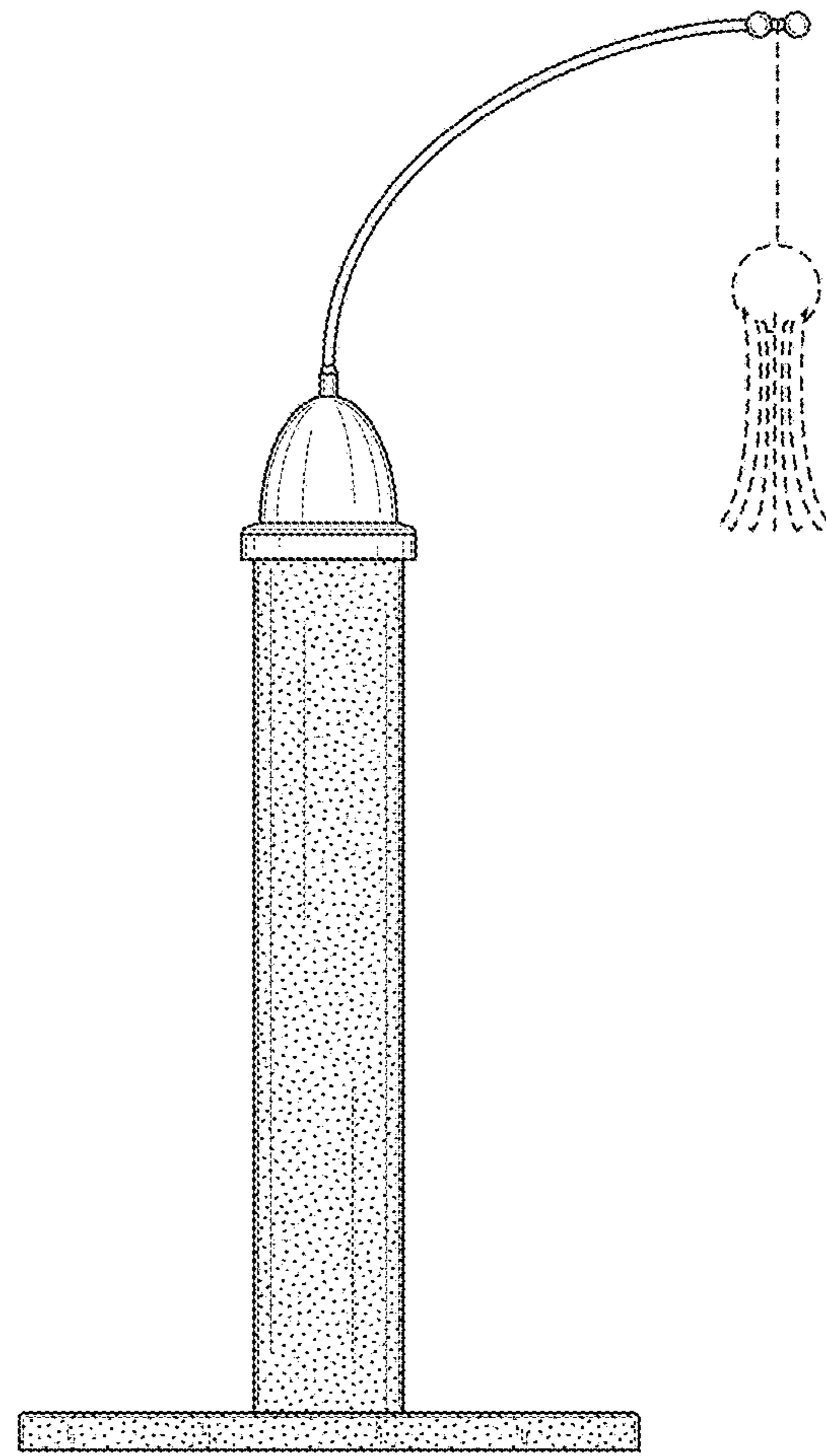


FIG. 3

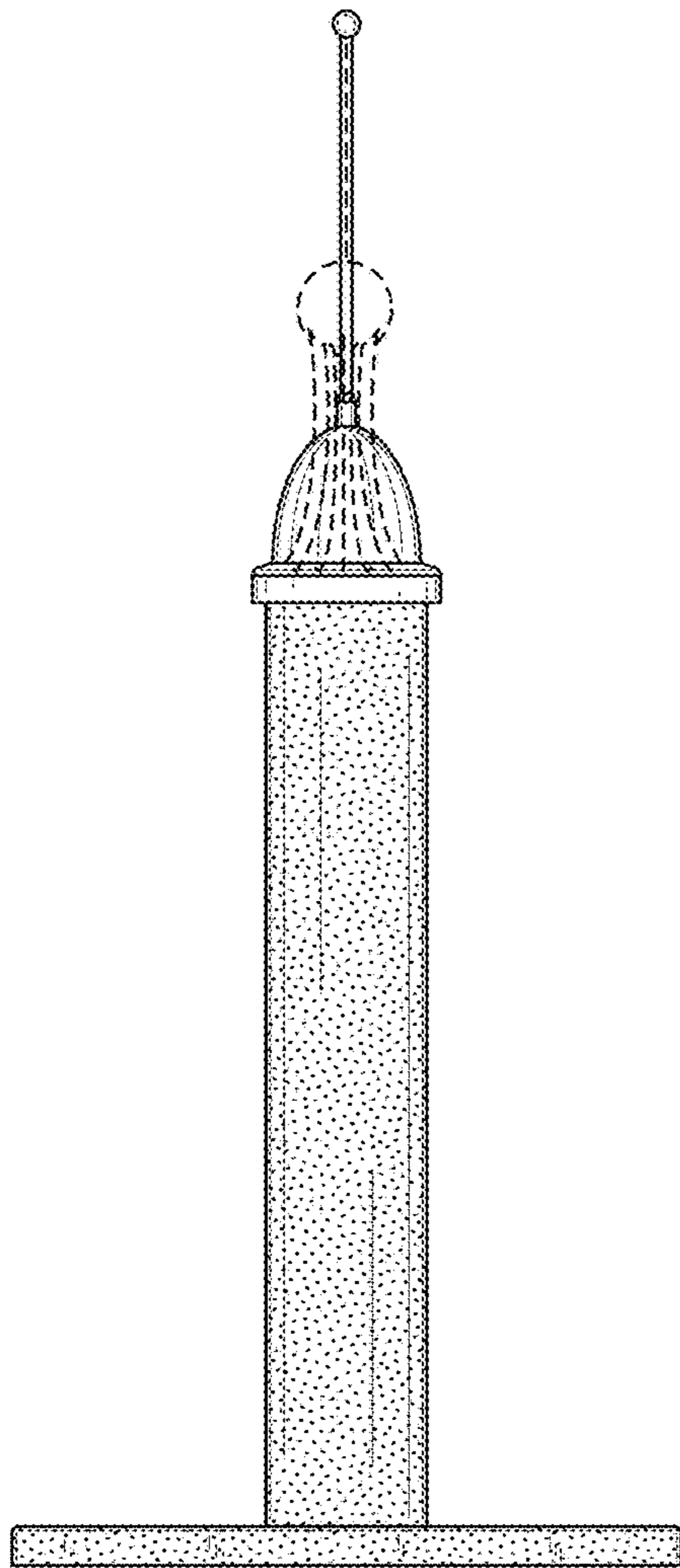


FIG. 4

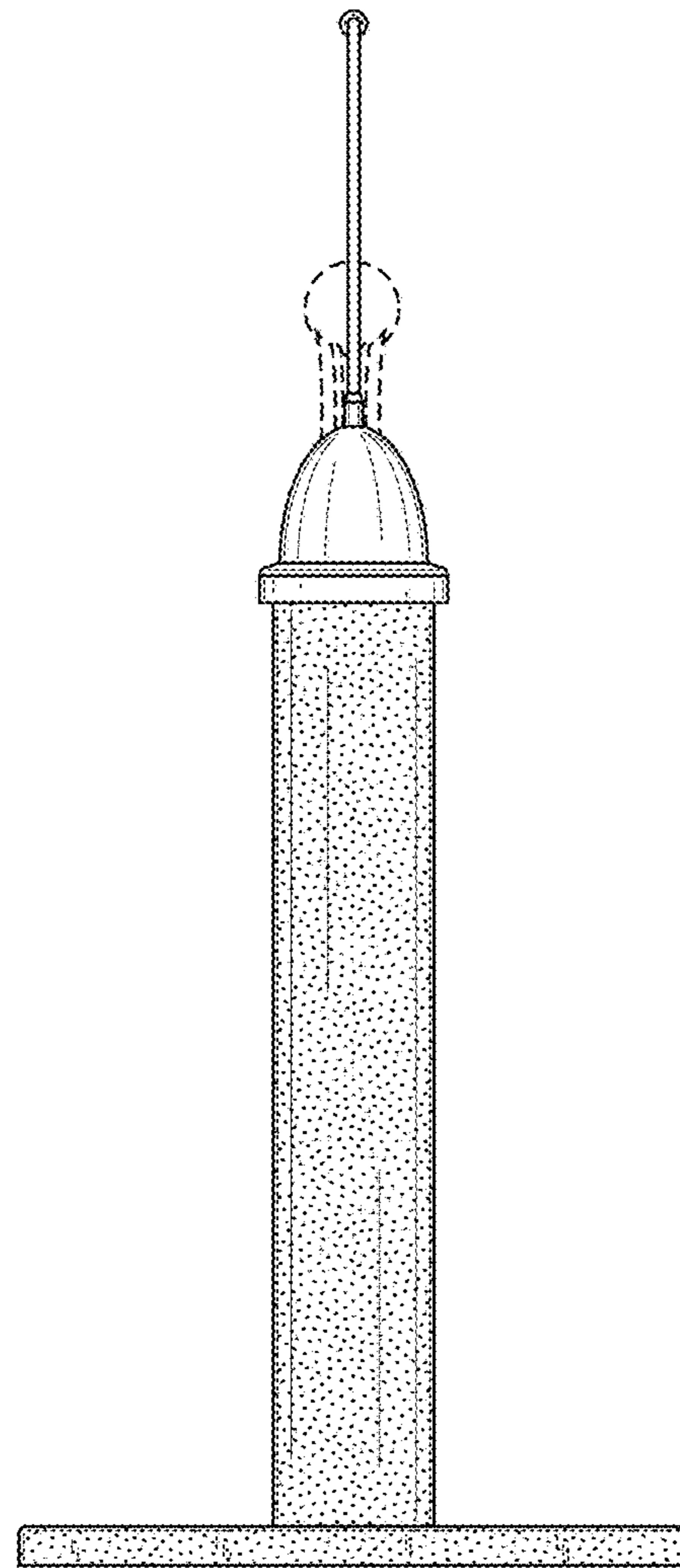


FIG. 5



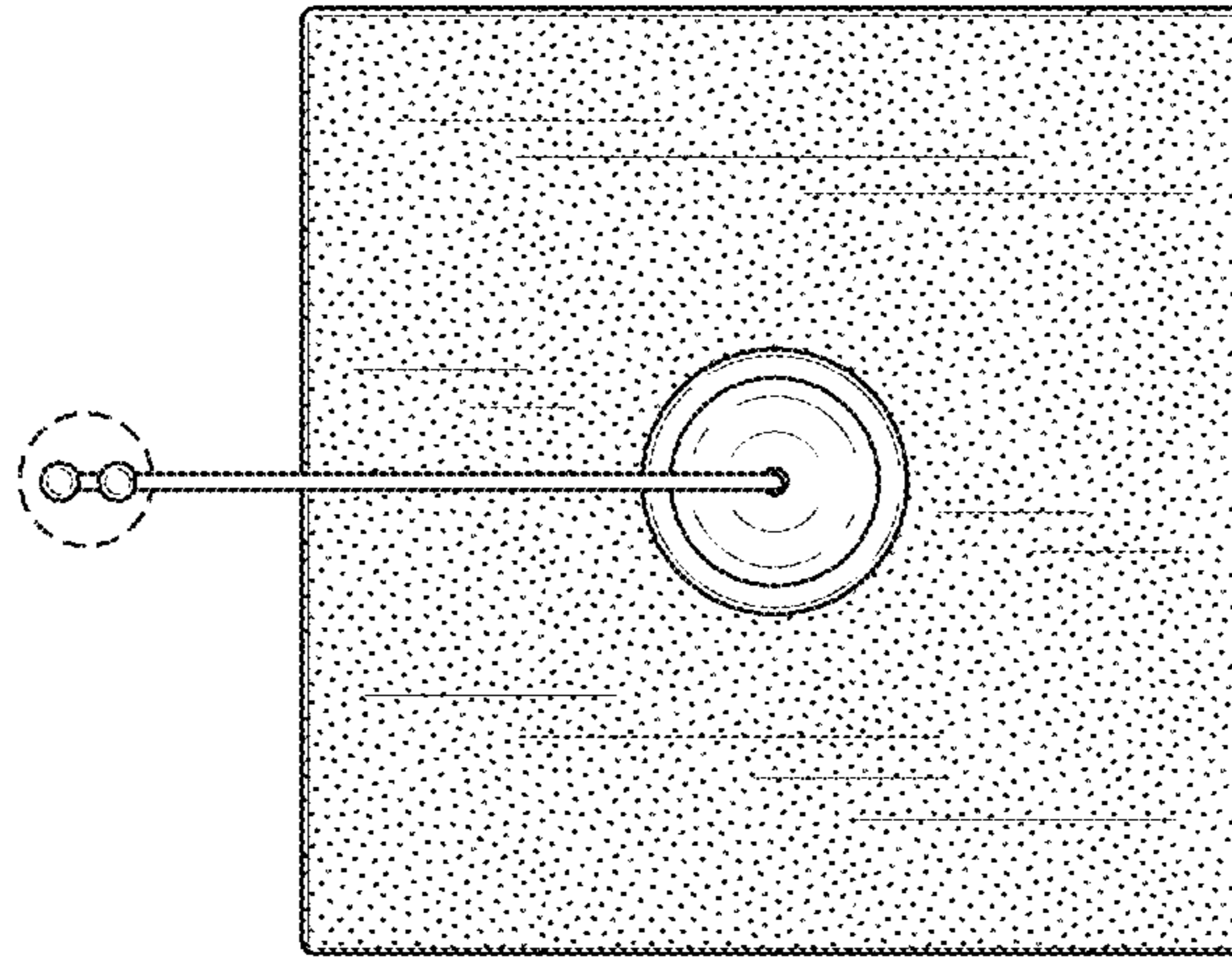


FIG. 6

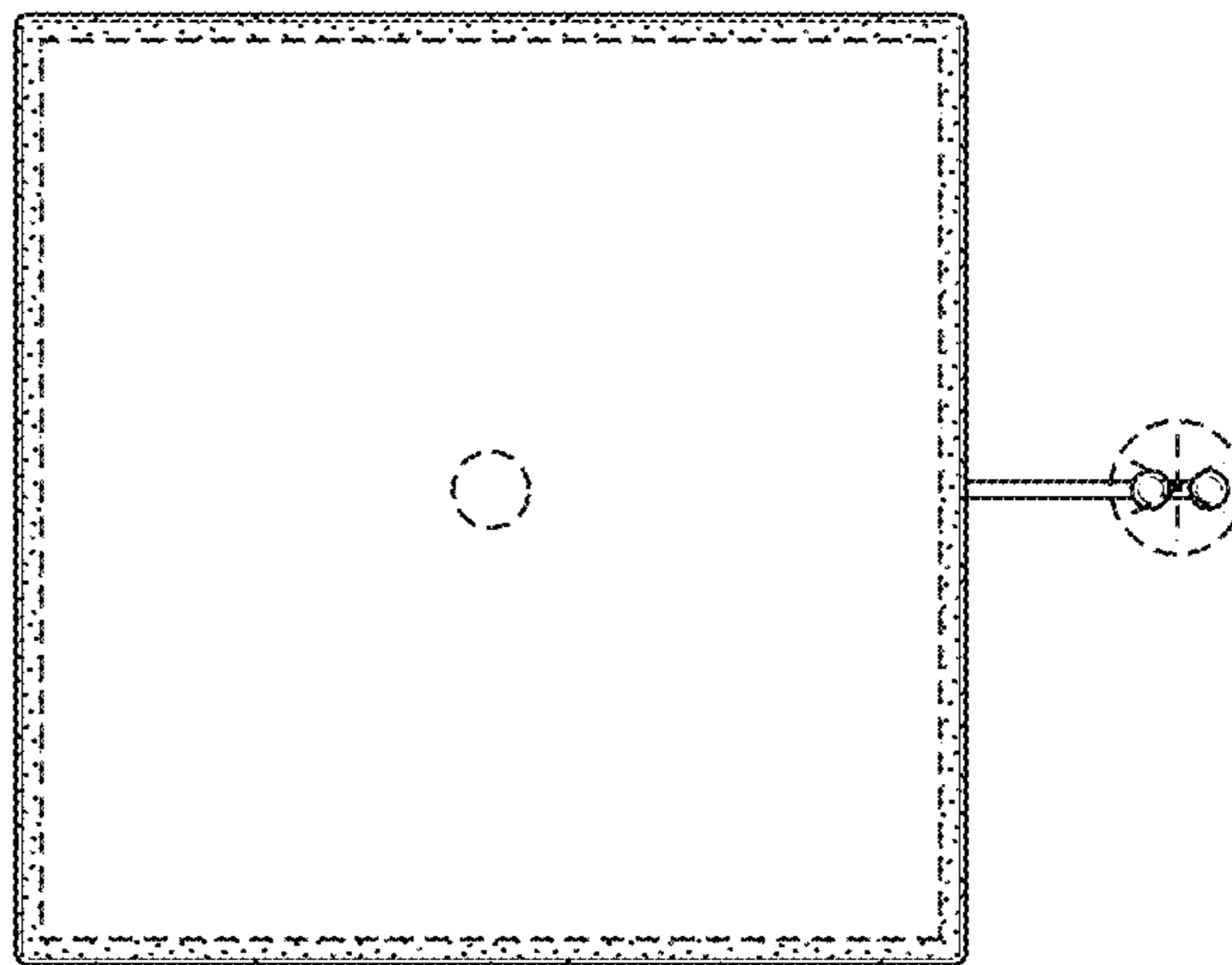


FIG. 7