



US00D808084S

(12) **United States Design Patent**
Lu

(10) **Patent No.:** **US D808,084 S**
(45) **Date of Patent:** **** Jan. 16, 2018**

(54) **PET CARRIER WITH EXPANSION CHAMBER**

(71) Applicant: **Kongzhi Lu**, Xiamen (CN)

(72) Inventor: **Kongzhi Lu**, Xiamen (CN)

(73) Assignee: **Xiamen Sunnypet Products Co., Ltd.**,
Xiamen (CN)

(**) Term: **14 Years**

(21) Appl. No.: **29/493,562**

(22) Filed: **Jun. 11, 2014**

(51) **LOC (11) Cl.** **30-02**

(52) **U.S. Cl.**
USPC **D30/109**

(58) **Field of Classification Search**
USPC D30/108-109, 112-117, 119;
119/428-436, 445, 452-453, 455, 459,
119/467, 472, 474-475, 481-482,
119/484-485, 496-503, 512-513;
D3/245-246, 273, 276, 289, 301, 303
CPC ... A01K 1/00; A01K 1/01; A01K 1/02; A01K
1/03; A01K 31/00; A01K 31/06; A01K
31/07; A01K 31/08; A01K 31/14; A01K
31/18; A01K 5/00; A01K 29/00; A47K
11/02; E04H 1/02

See application file for complete search history.

(56) **References Cited**

U.S. PATENT DOCUMENTS

RE25,826 E * 8/1965 Ward A45C 7/0063
190/108
D398,083 S * 9/1998 Martz D3/273
5,967,090 A * 10/1999 Hui A01K 1/0245
119/453
6,021,740 A * 2/2000 Martz A01K 1/0254
119/482
D424,248 S * 5/2000 Sommers D30/109

6,155,206 A * 12/2000 Godshaw A01K 1/0254
119/453
D444,271 S * 6/2001 Farrugia D3/273
6,286,462 B1 * 9/2001 Burns A01K 1/0254
119/497
D481,539 S * 11/2003 Martz D3/279
D523,995 S * 6/2006 Knittle D30/109
D524,995 S * 7/2006 Dudas D30/109
7,210,426 B2 * 5/2007 Yeung A01K 1/0254
119/497

(Continued)

OTHER PUBLICATIONS

<http://www.dogjaunt.com/2013/03/new-in-cabin-pet-carrier-smart-space-by-brinkmann-pet/>; Mar. 5, 2013 blog of Brinkmann Brinkmann Pet Carrier.*

(Continued)

Primary Examiner — Cathy Anne MacCormac

(74) *Attorney, Agent, or Firm* — Jen-Feng Lee, Esq.

(57)

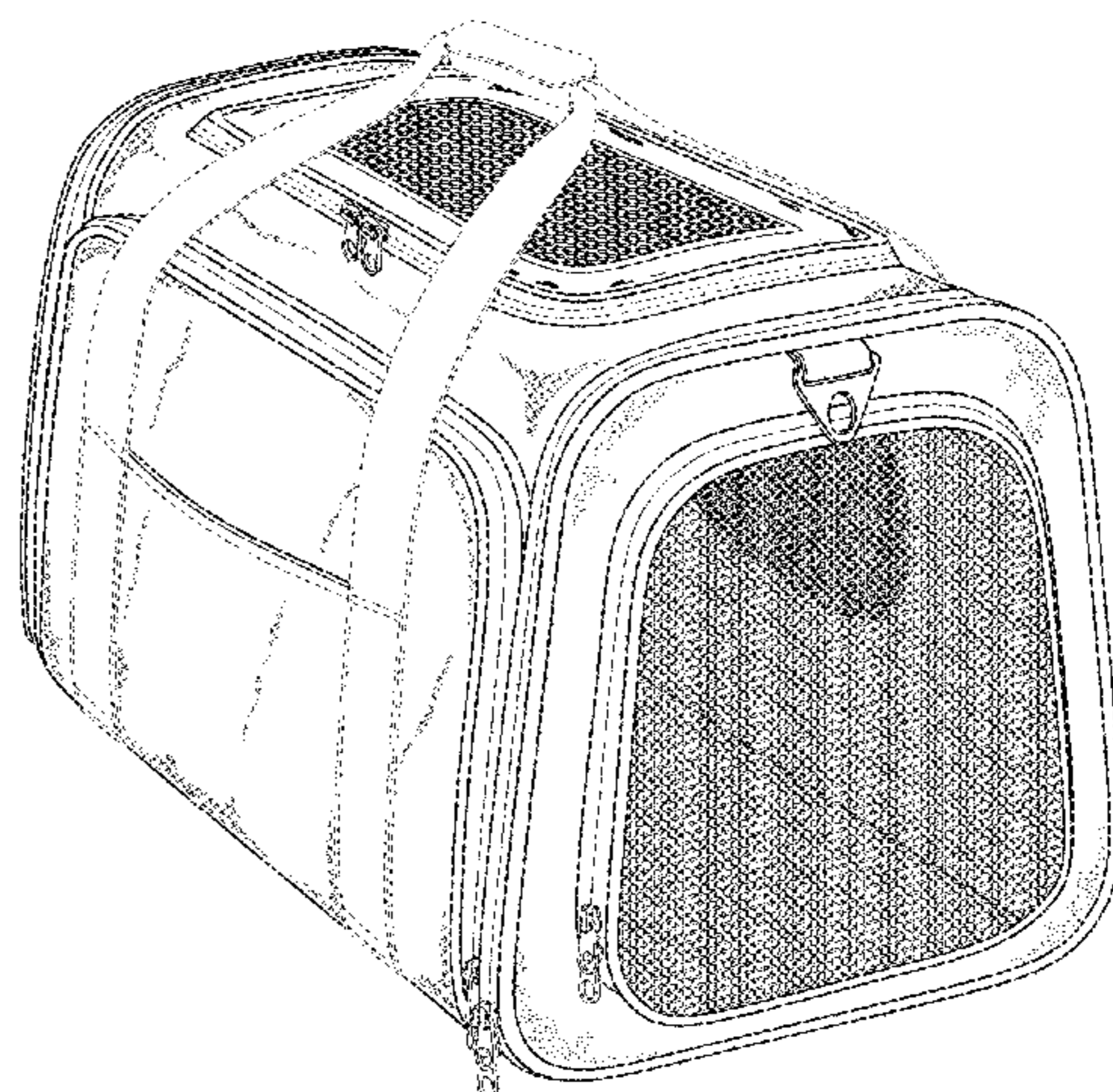
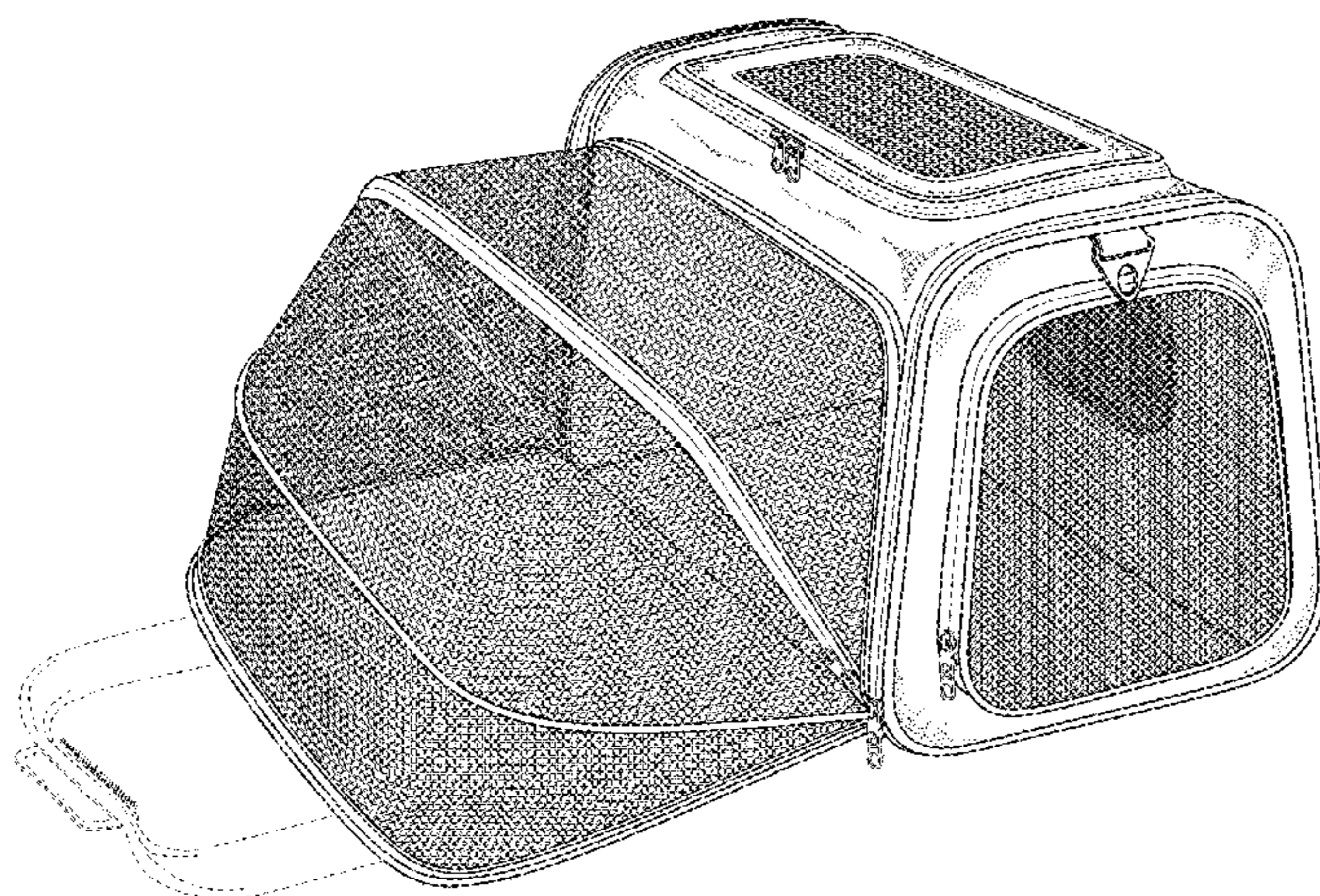
CLAIM

I claim the ornamental design for a pet carrier with expansion chamber, as shown and described.

DESCRIPTION

FIG. 1 is a front perspective view of the pet carrier with expansion chamber showing my new design, with expansion chamber unzipped and extended,
FIG. 2 is a front perspective view thereof, with expansion chamber zipped and closed,
FIG. 3 is a right side view of FIG. 2,
FIG. 4 is a left side view of FIG. 2,
FIG. 5 is a front view of FIG. 2,
FIG. 6 is a rear view of FIG. 2,
FIG. 7 is a top view of FIG. 2; and,
FIG. 8 is a bottom view of FIG. 2.
The broken lines depict environmental subject matter, are for illustration only and form no part of the claimed design.

1 Claim, 8 Drawing Sheets



(56)

References Cited

U.S. PATENT DOCUMENTS

D548,408 S * 8/2007 Martz D3/273
D548,966 S * 8/2007 Aliberti D3/283
D573,793 S * 7/2008 Bakker D3/283
7,665,421 B2 * 2/2010 Martz A01K 1/0254
119/497
7,789,044 B2 * 9/2010 McGrade A01K 1/0254
119/496
7,802,540 B2 * 9/2010 Jakubowski A01K 1/0254
119/497
8,171,888 B2 * 5/2012 Chou A01K 1/0254
119/497
D662,264 S * 6/2012 Chau D30/109
D717,502 S * 11/2014 Dixon D30/109
D724,792 S * 3/2015 Renforth D30/109
2010/0175633 A1 * 7/2010 Krauss A01K 1/0254
119/497

OTHER PUBLICATIONS

<http://www.pepperpom.com/2013/05/petmates-new-2013-travel-products.html> ; May 26, 2013 review of Petmate See & Extend Carrier.*

* cited by examiner

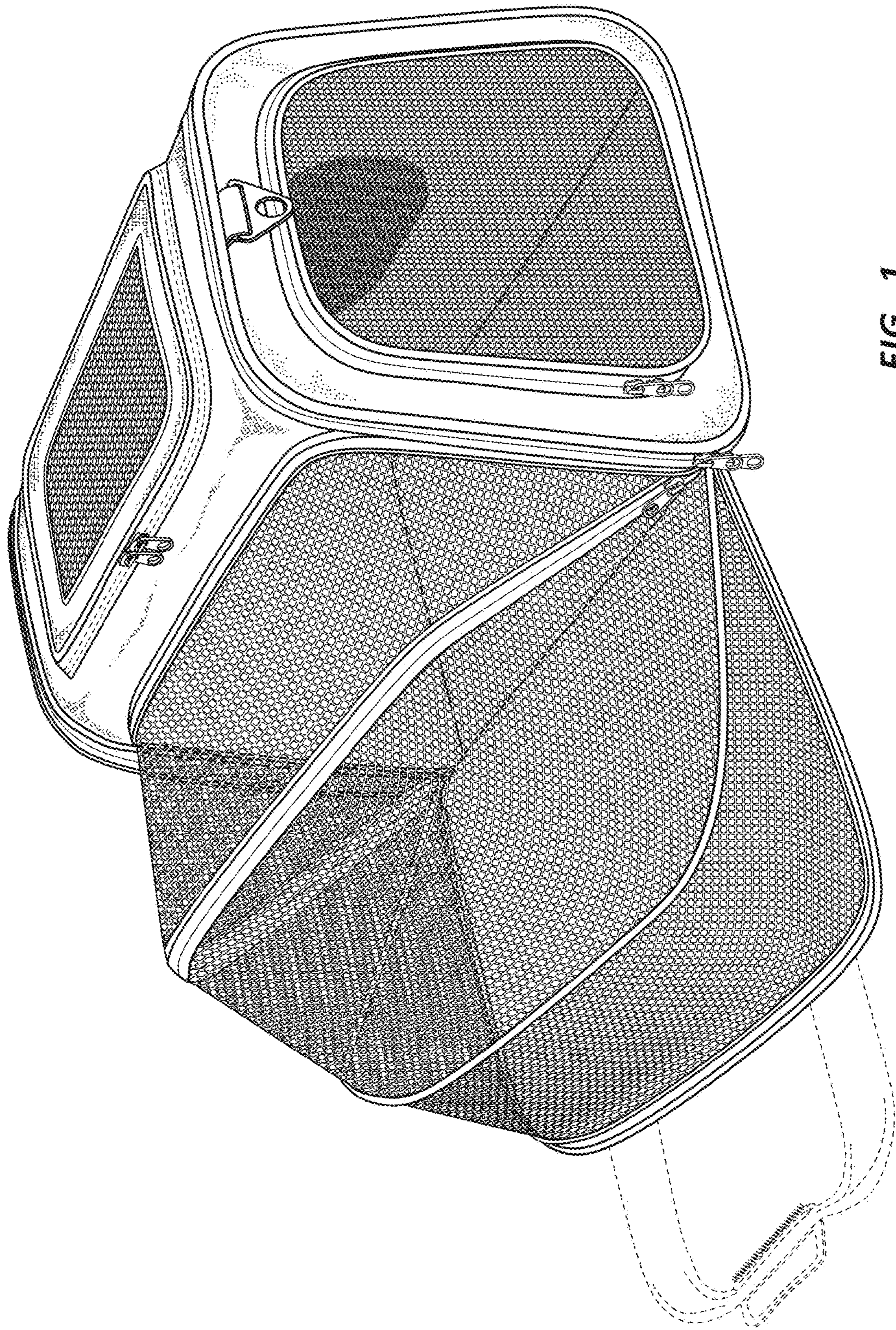


FIG. 1

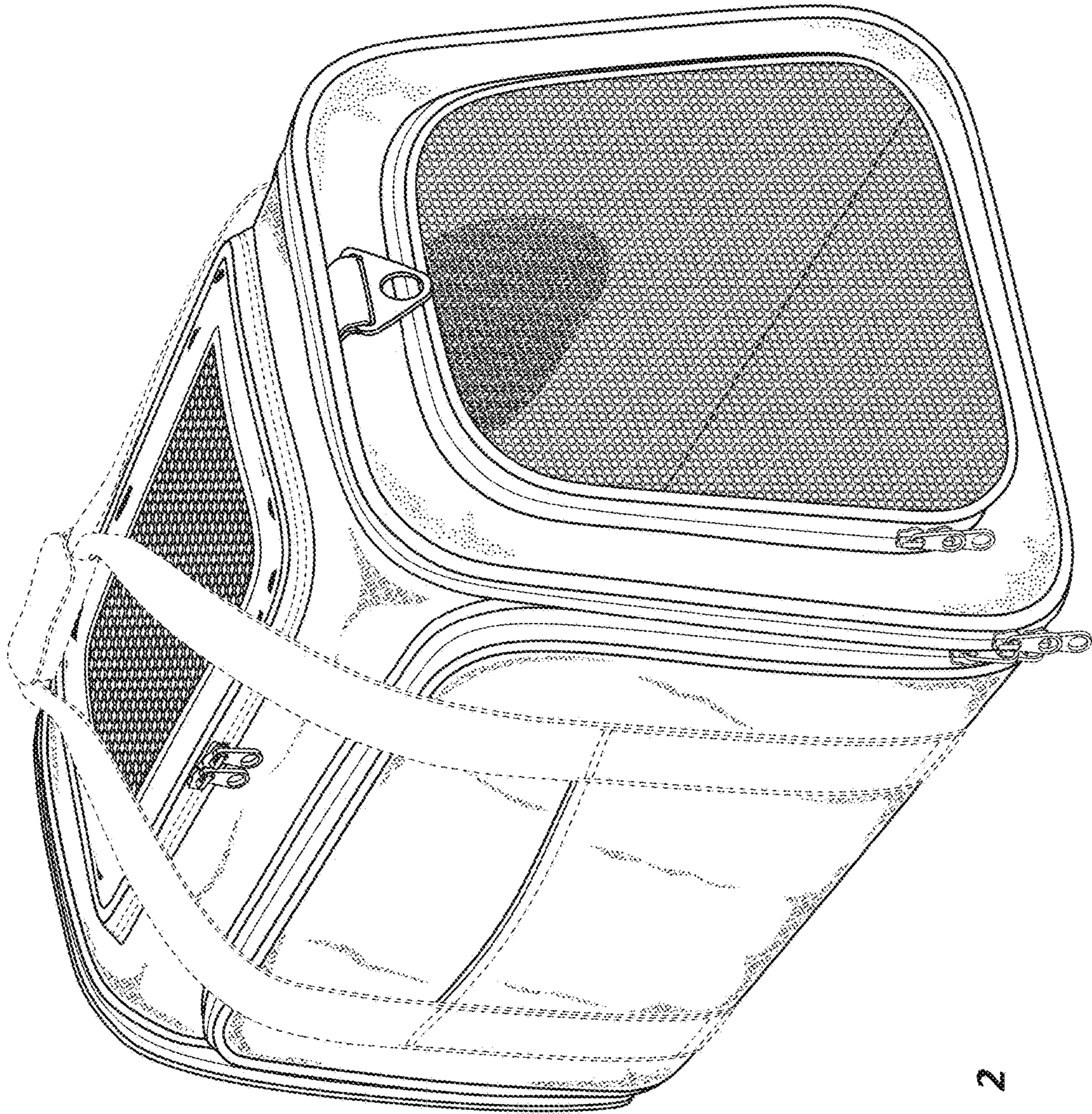


FIG. 2

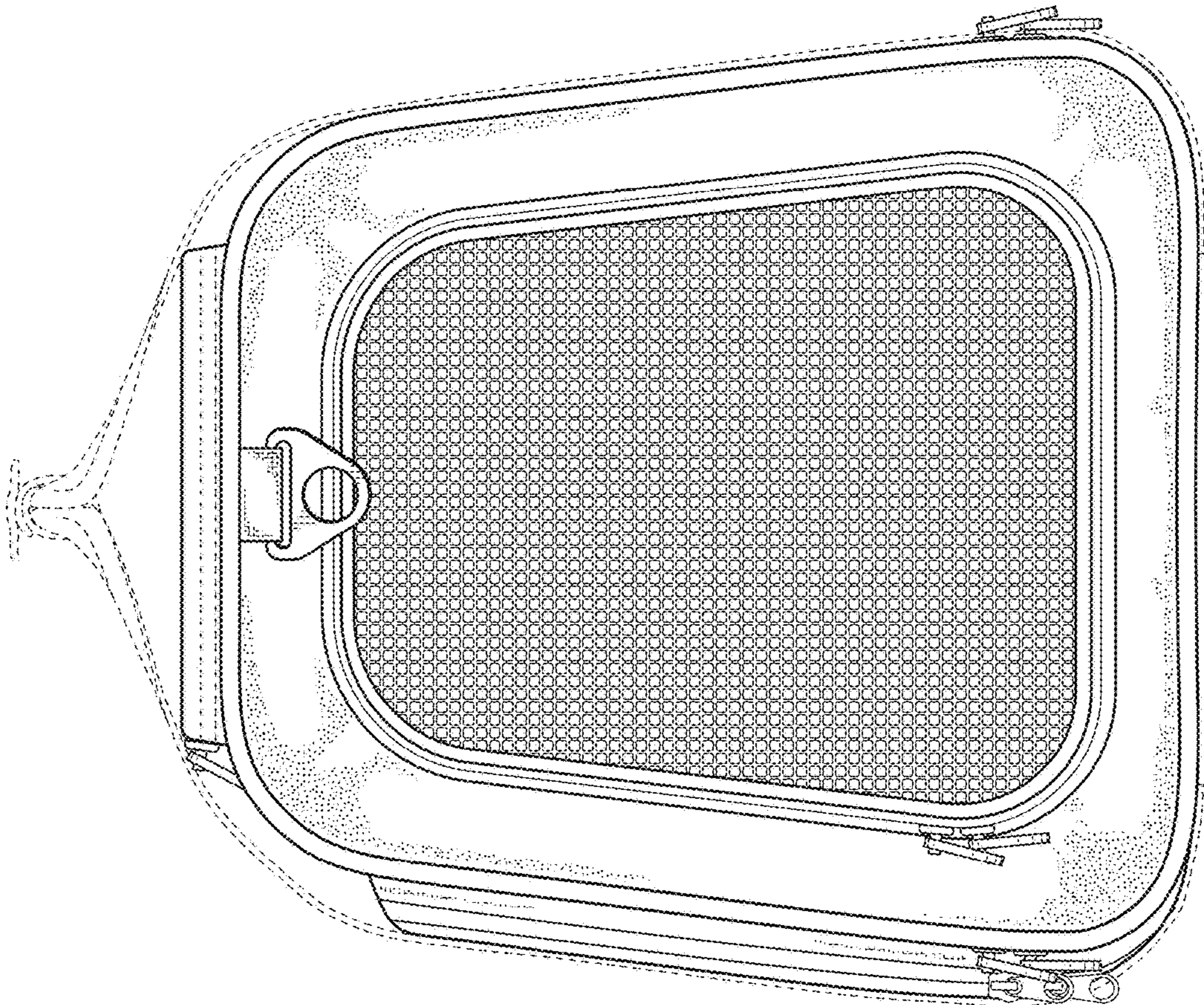


FIG. 3



FIG. 4

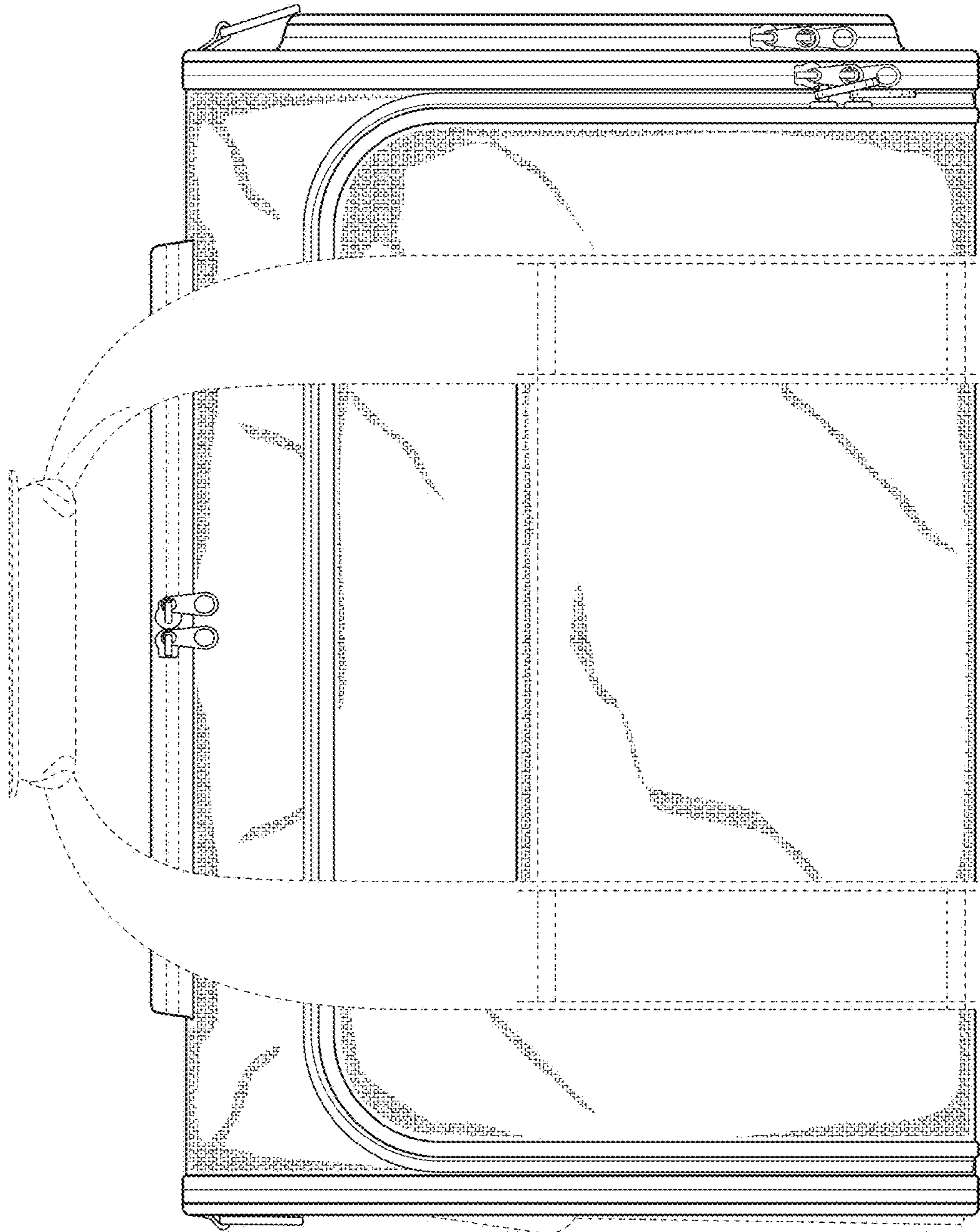


FIG. 5

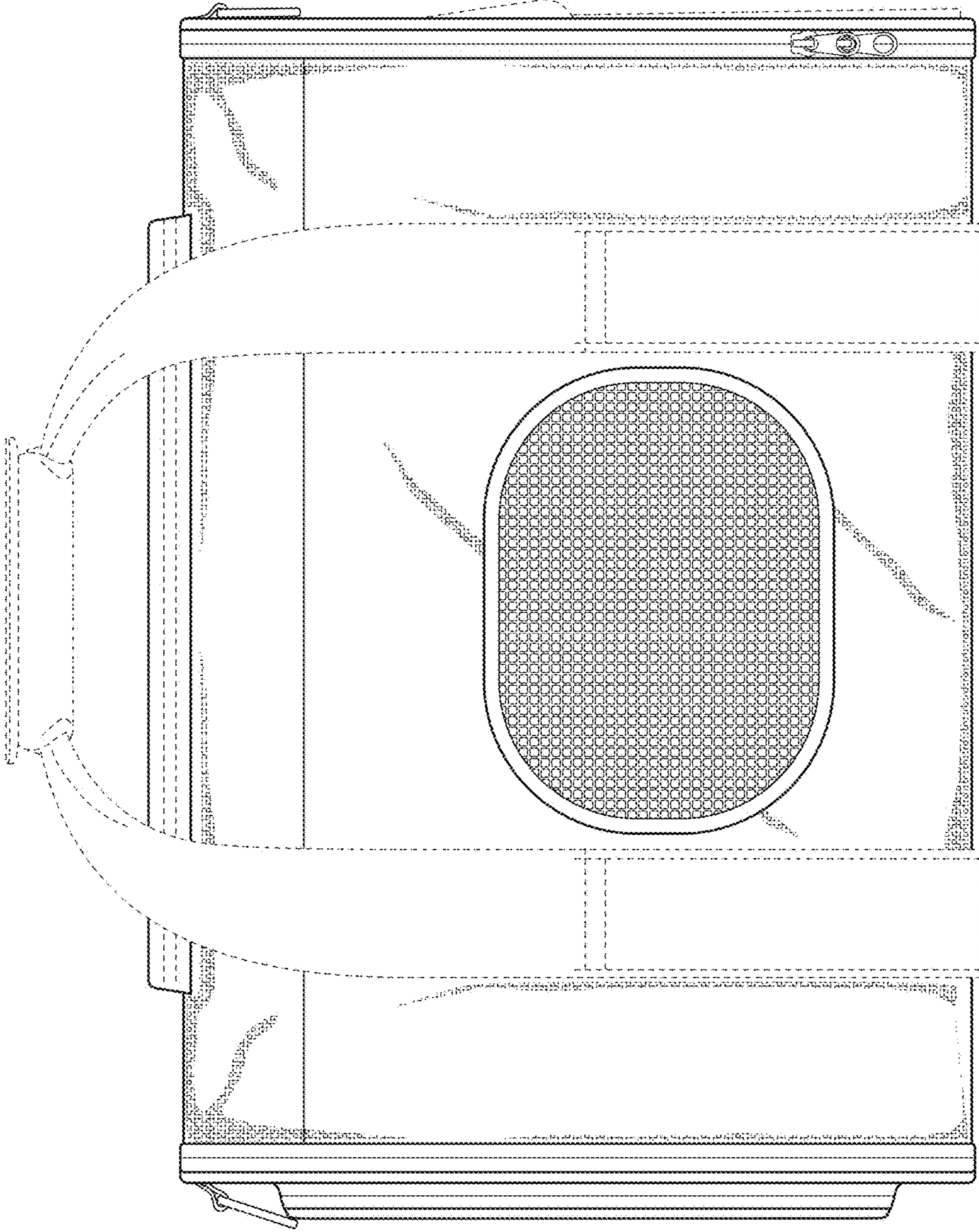


FIG. 6

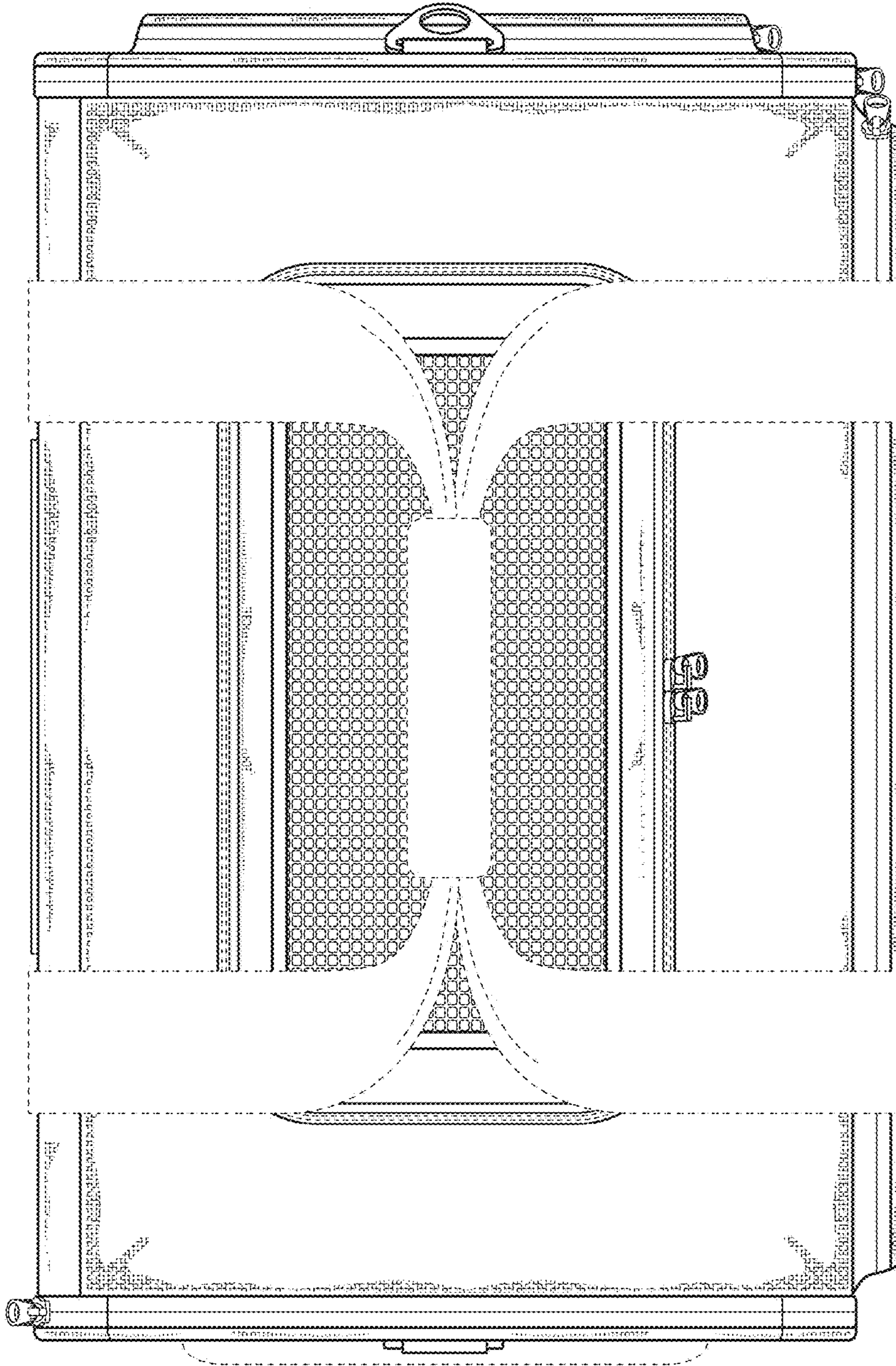


FIG. 7

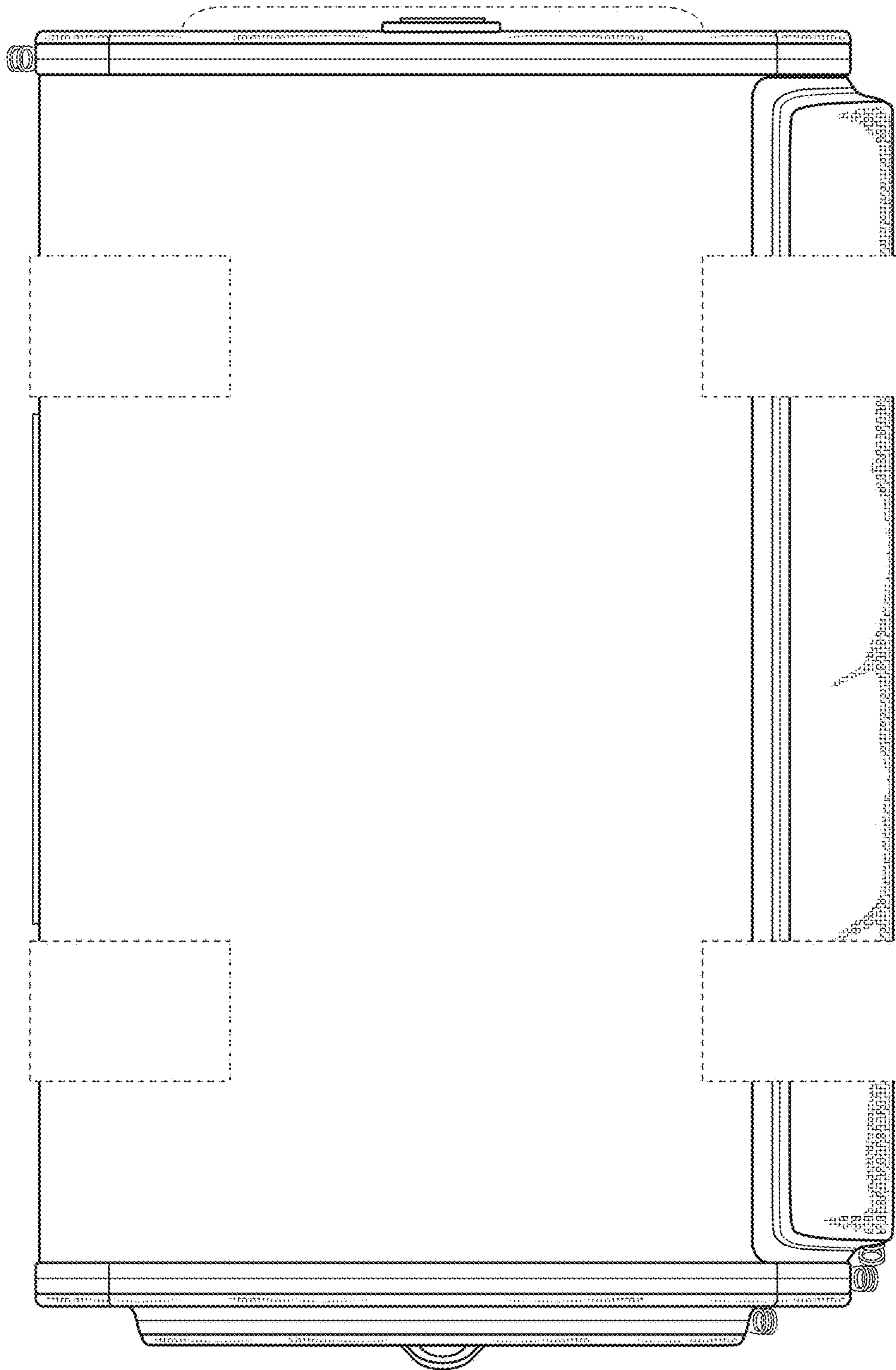


FIG. 8