



US00D808083S

(12) **United States Design Patent**
Durham et al.

(10) **Patent No.:** **US D808,083 S**
(45) **Date of Patent:** **** Jan. 16, 2018**

(54) **HELMET CHINBAR**

(71) Applicant: **Fox Head, Inc.**, Irvine, CA (US)

(72) Inventors: **David L. Durham**, San Clemente, CA (US); **Dennis Tan**, Long Beach, CA (US)

(73) Assignee: **Fox Head, Inc.**, Irvine, CA (US)

(**) Term: **15 Years**

(21) Appl. No.: **29/558,781**

(22) Filed: **Mar. 21, 2016**

(51) **LOC (11) Cl.** **09-03**

(52) **U.S. Cl.**
USPC **D29/122**

(58) **Field of Classification Search**
USPC D29/102-107, 122, 110
CPC A63B 71/10; A42B 3/166; A42B 3/222;
A42B 3/228; A42B 3/32; A42B 3/00;
A42B 3/322; A61F 9/06
See application file for complete search history.

(56) **References Cited**

U.S. PATENT DOCUMENTS

6,009,562	A *	1/2000	Bullock	A42B 3/16 2/12
6,332,228	B1 *	12/2001	Takahara	A42B 3/003 2/422
D489,491	S *	5/2004	Corser	D29/106
D498,882	S *	11/2004	Yi	D29/107
D545,502	S *	6/2007	Lee	D29/107
D549,883	S *	8/2007	Dion	D29/106
D621,550	S *	8/2010	Shida	D29/102
D621,551	S *	8/2010	Isobe	D29/107
D622,005	S *	8/2010	Shida	D29/107
D626,291	S *	10/2010	Lee	D29/102
D636,536	S *	4/2011	Lee	D29/106
D669,226	S *	10/2012	Byron	D29/105
D670,445	S *	11/2012	Kimura	D29/104

(Continued)

OTHER PUBLICATIONS

Bell Super 2R MIPS-Equipped Mountain Bike Helmet, <https://www.bellhelmets.com/cycling/helmets/super-2f-mips-equipped>, retrieved Mar. 23, 2016.

(Continued)

Primary Examiner — Ruth McInroy

(74) *Attorney, Agent, or Firm* — Mintz, Levin, Cohn, Ferris, Glovsky and Popeo PC

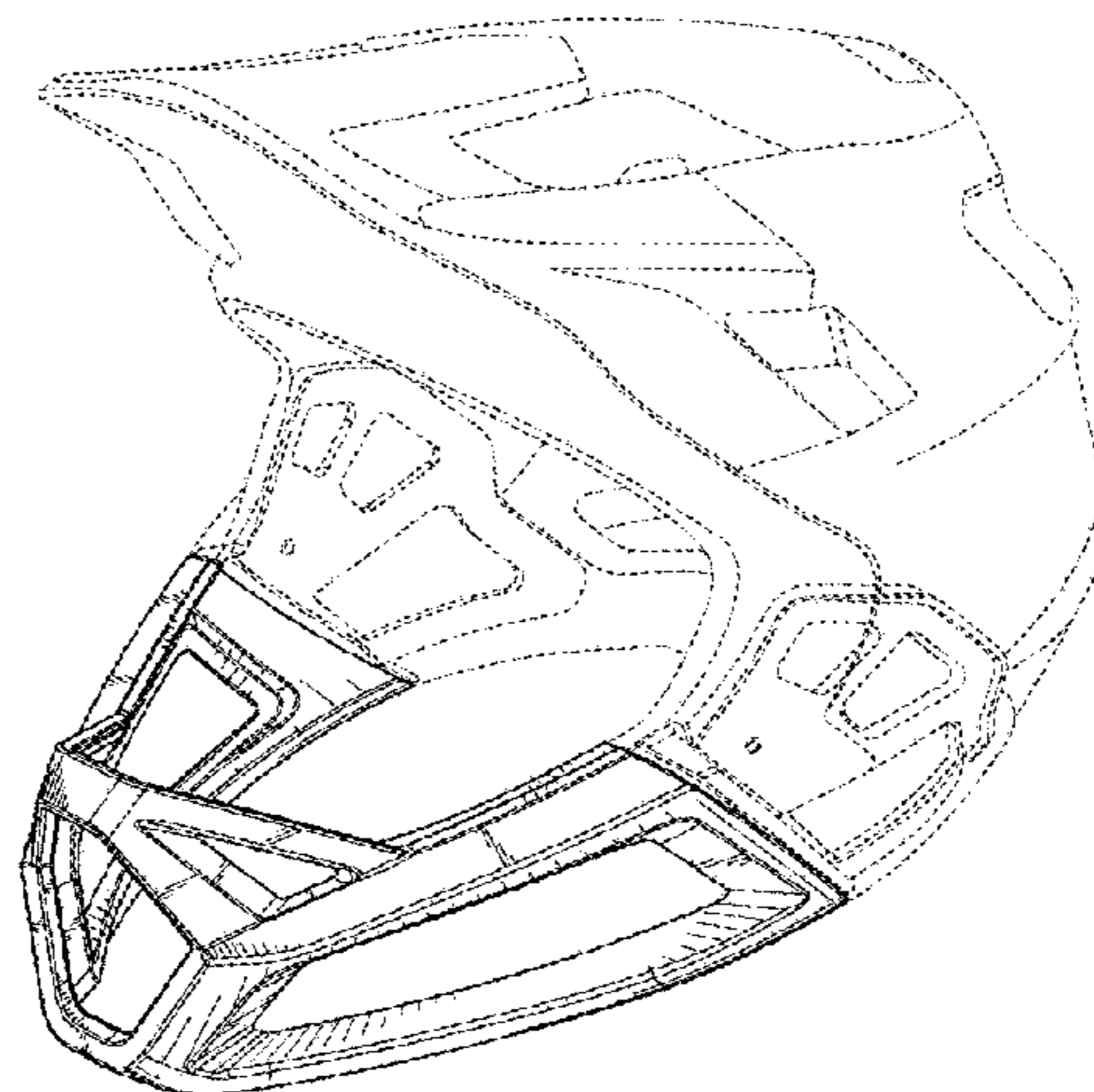
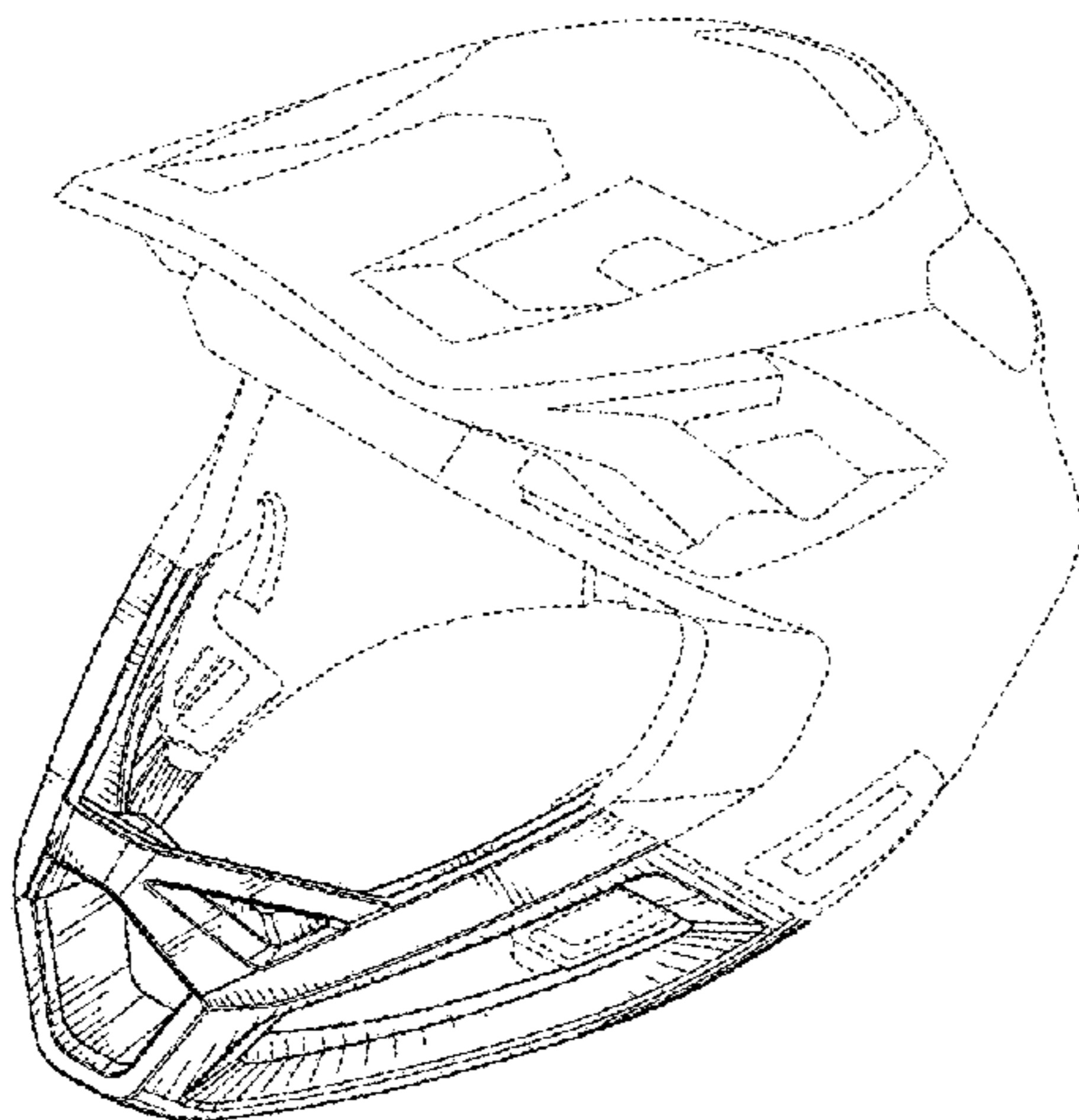
(57) **CLAIM**

We claim the ornamental design for a helmet chinbar, as shown and described.

DESCRIPTION

FIG. 1 is a front, top and left side perspective view showing our new design;
FIG. 2 is a front view of the claimed design of FIG. 1;
FIG. 3 is a rear view of the claimed design of FIG. 1;
FIG. 4 is a left view of the claimed design of FIG. 1;
FIG. 5 is a right view of the claimed design of FIG. 1;
FIG. 6 is a top view of the claimed design of FIG. 1;
FIG. 7 is a bottom view of the claimed design of FIG. 1;
FIG. 8 is a front, top and left side perspective view of a second embodiment thereof;
FIG. 9 is a front, top, left perspective view of the claimed design of FIG. 8;
FIG. 10 is a front view of the claimed design of FIG. 8;
FIG. 11 is a rear view of the claimed design of FIG. 8;
FIG. 12 is a left view of the claimed design of FIG. 8;
FIG. 13 is a right view of the claimed design of FIG. 8;
FIG. 14 is a top view of the claimed design of FIG. 8; and,
FIG. 15 is a bottom view of the claimed design of FIG. 8.
The details shown in broken lines form no part of the claimed design.

1 Claim, 8 Drawing Sheets



(56)

References Cited

U.S. PATENT DOCUMENTS

D680,694 S *	4/2013	Hwang	D29/107
D703,387 S *	4/2014	Janisse	D29/105
D743,631 S *	11/2015	Tomas Gonzalez	D29/105
D747,555 S *	1/2016	Warmouth	D29/106
D767,828 S *	9/2016	Vos	D29/106
D776,361 S *	1/2017	Occhipinti	D29/107

OTHER PUBLICATIONS

IXS Xult Helmet, <http://products.ixs-sportsdivision.com/en/general/helmets/xult-helm.html>, retrieved Mar. 23, 2016.

MET Parachute Helmet, http://www.met-helmets.com/index.php?option=com_virtuemart&view=productdetails@virtuemart_product_id=136&itemid=900, retrieved Mar. 23, 2016.

* cited by examiner

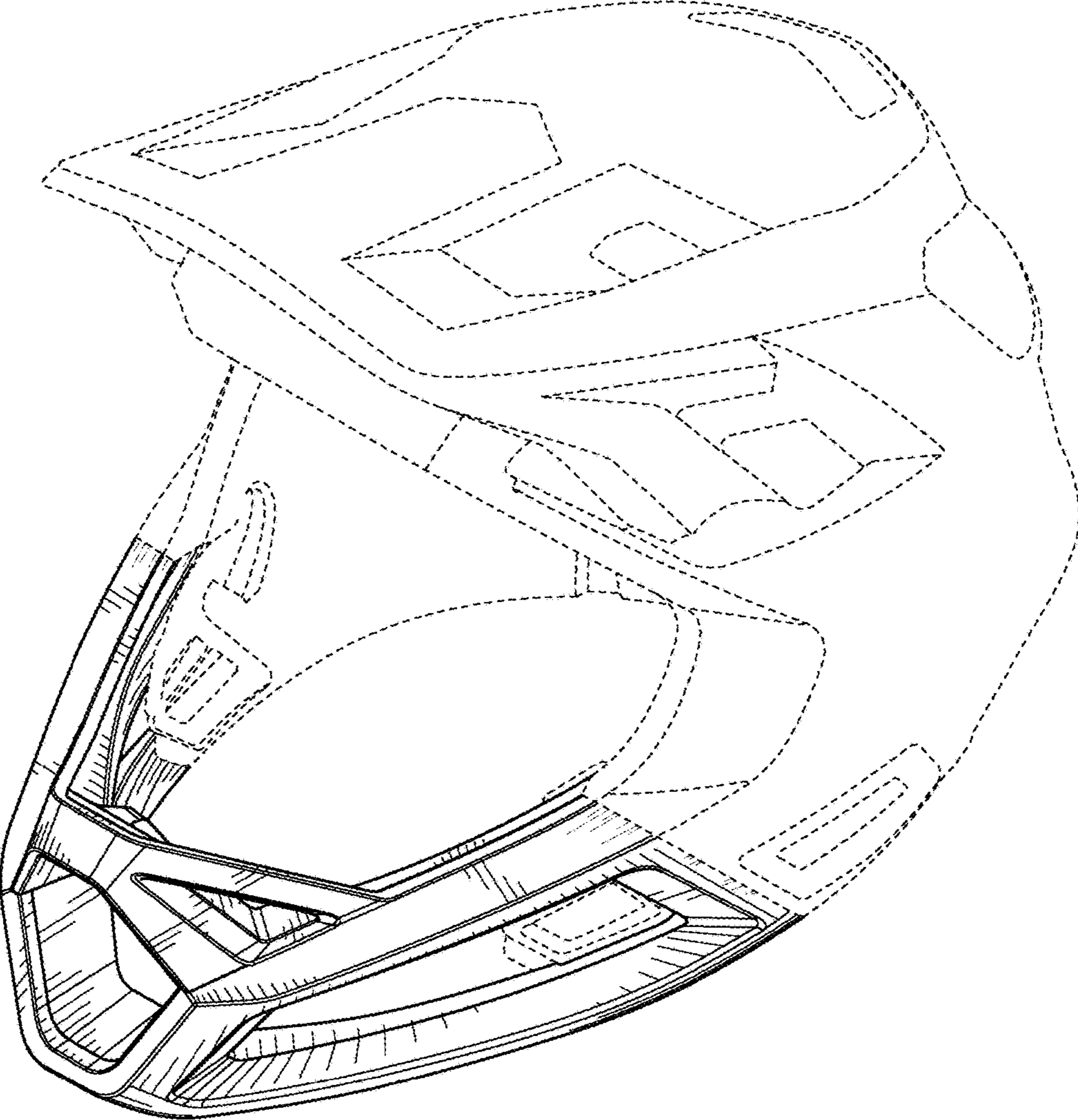


FIG. 1

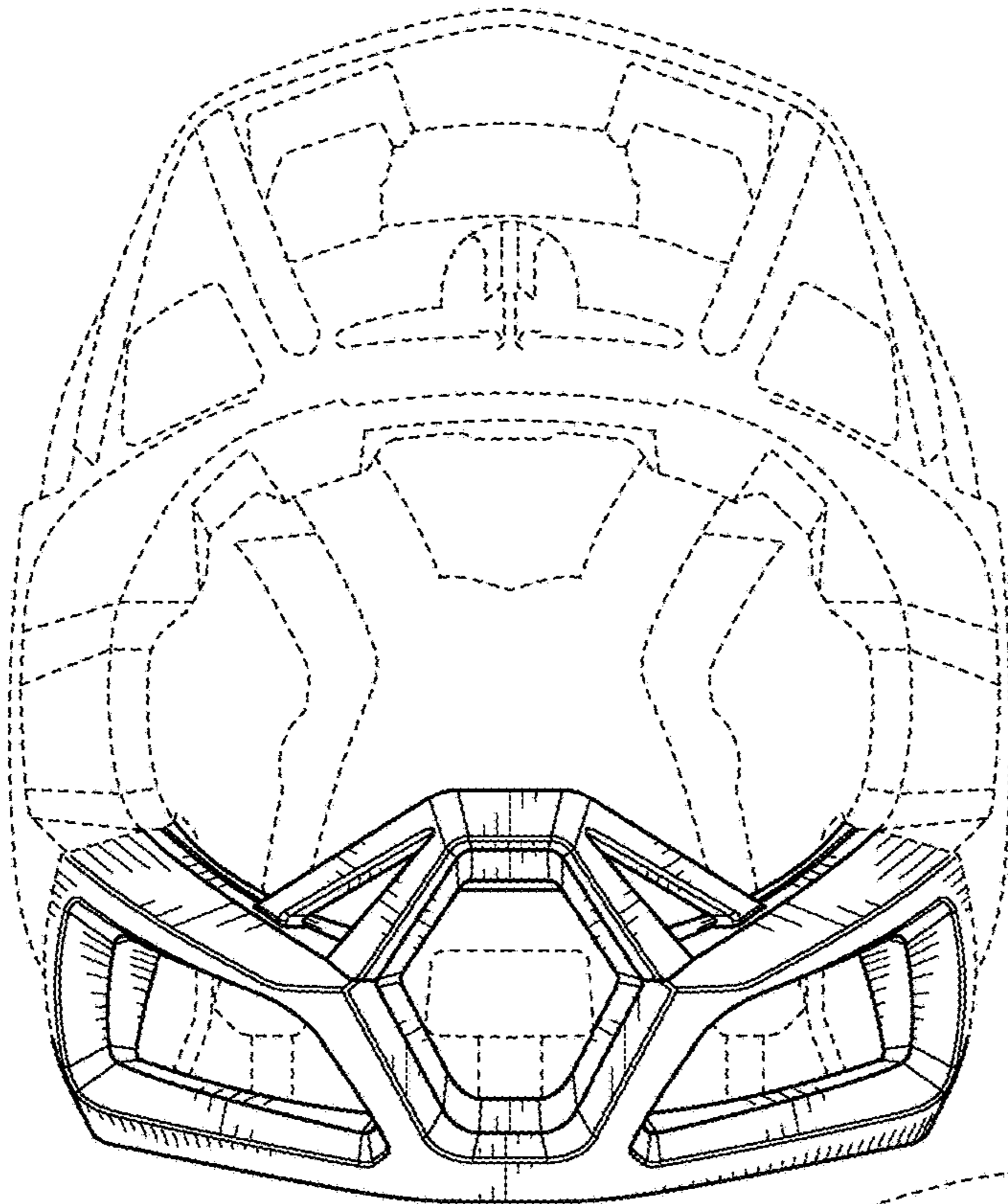


FIG. 2

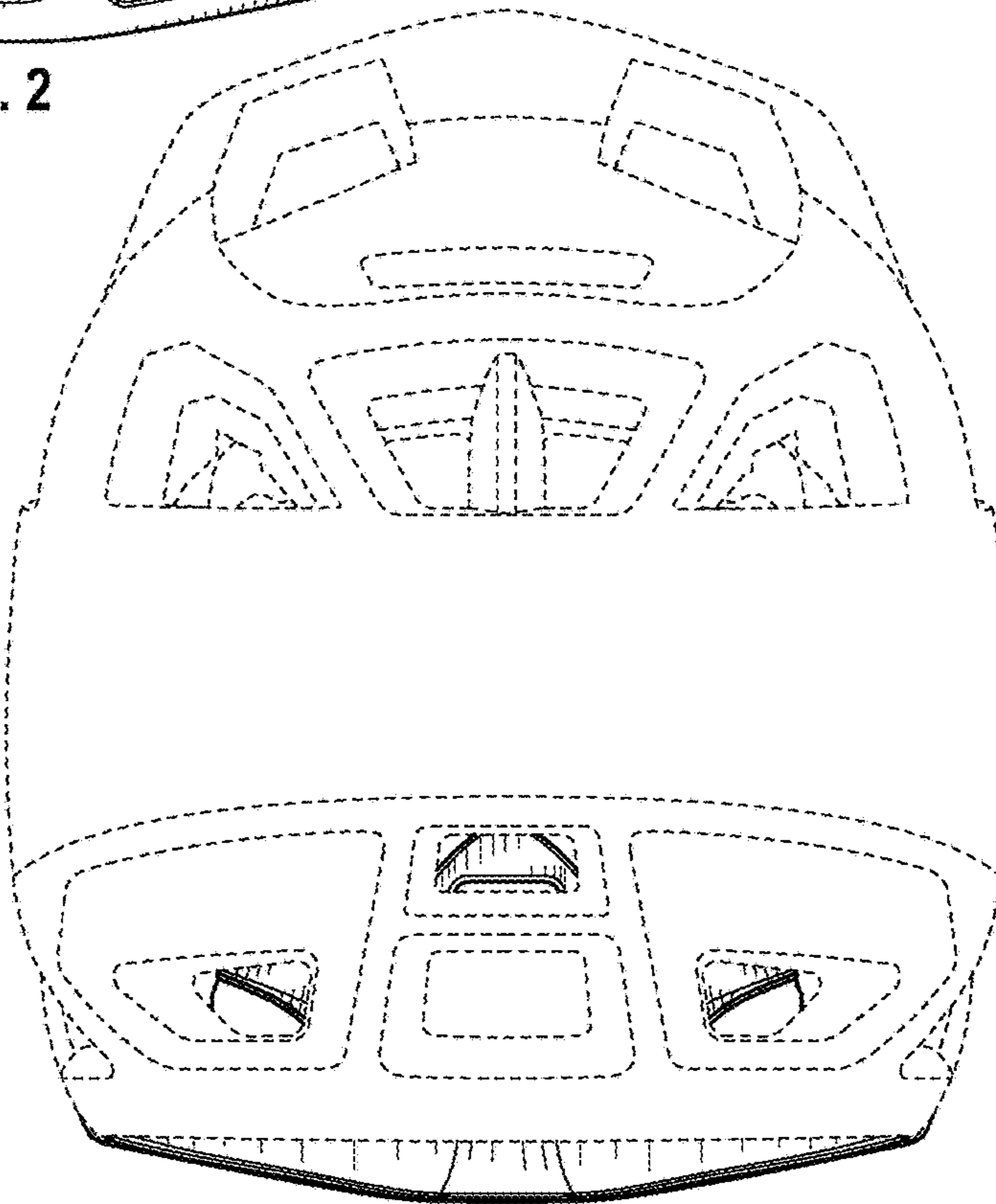


FIG. 3

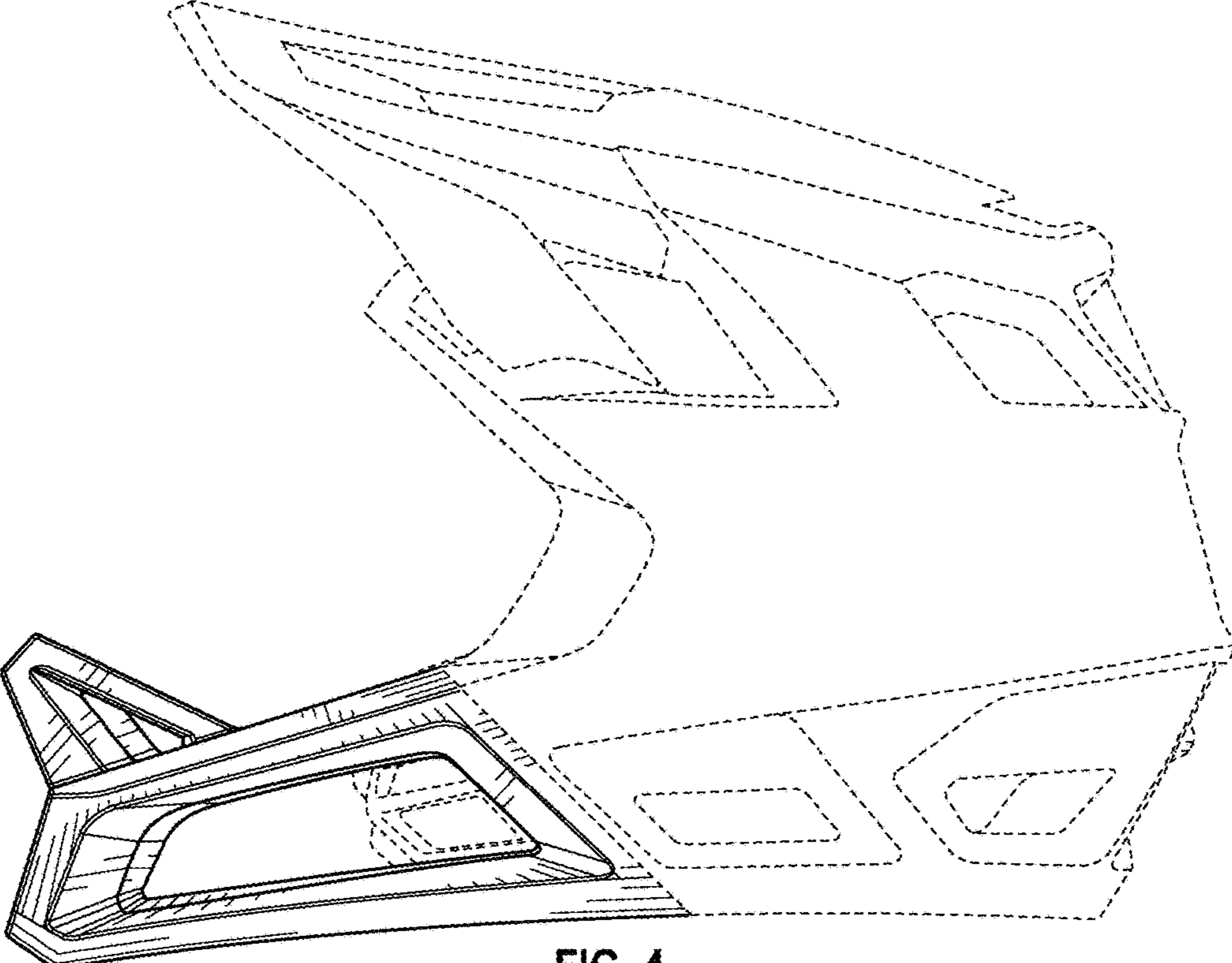


FIG. 4

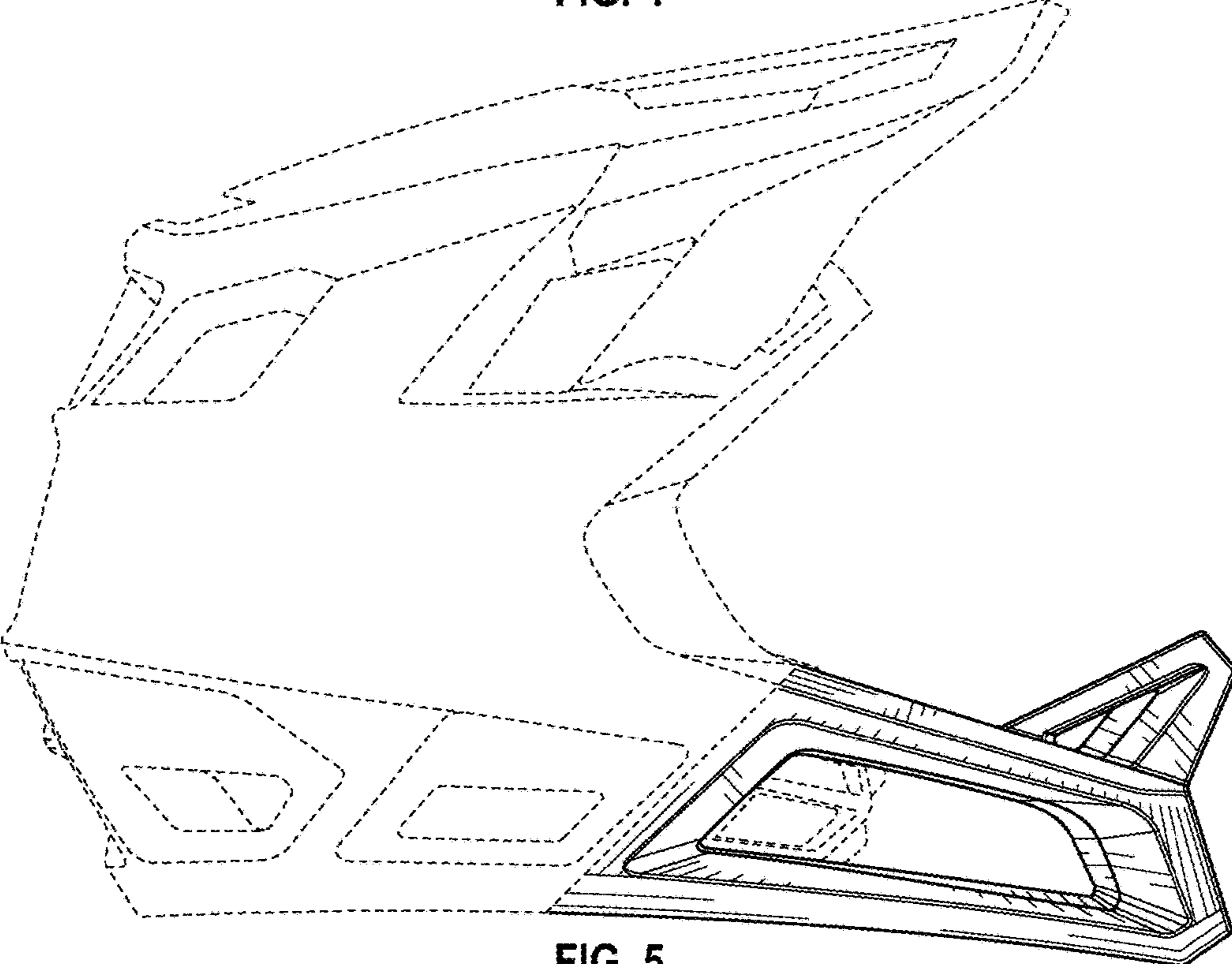


FIG. 5

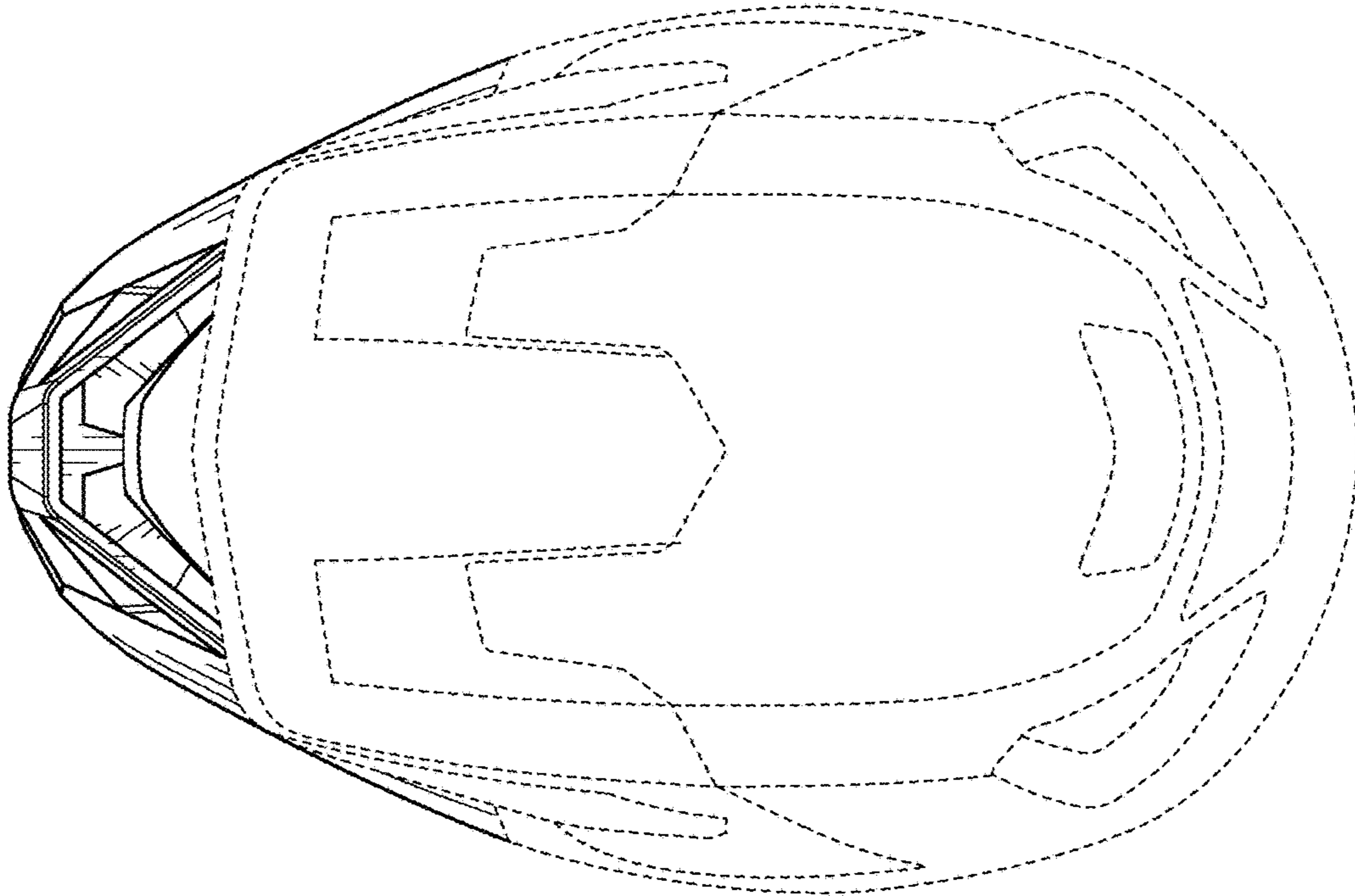


FIG. 6

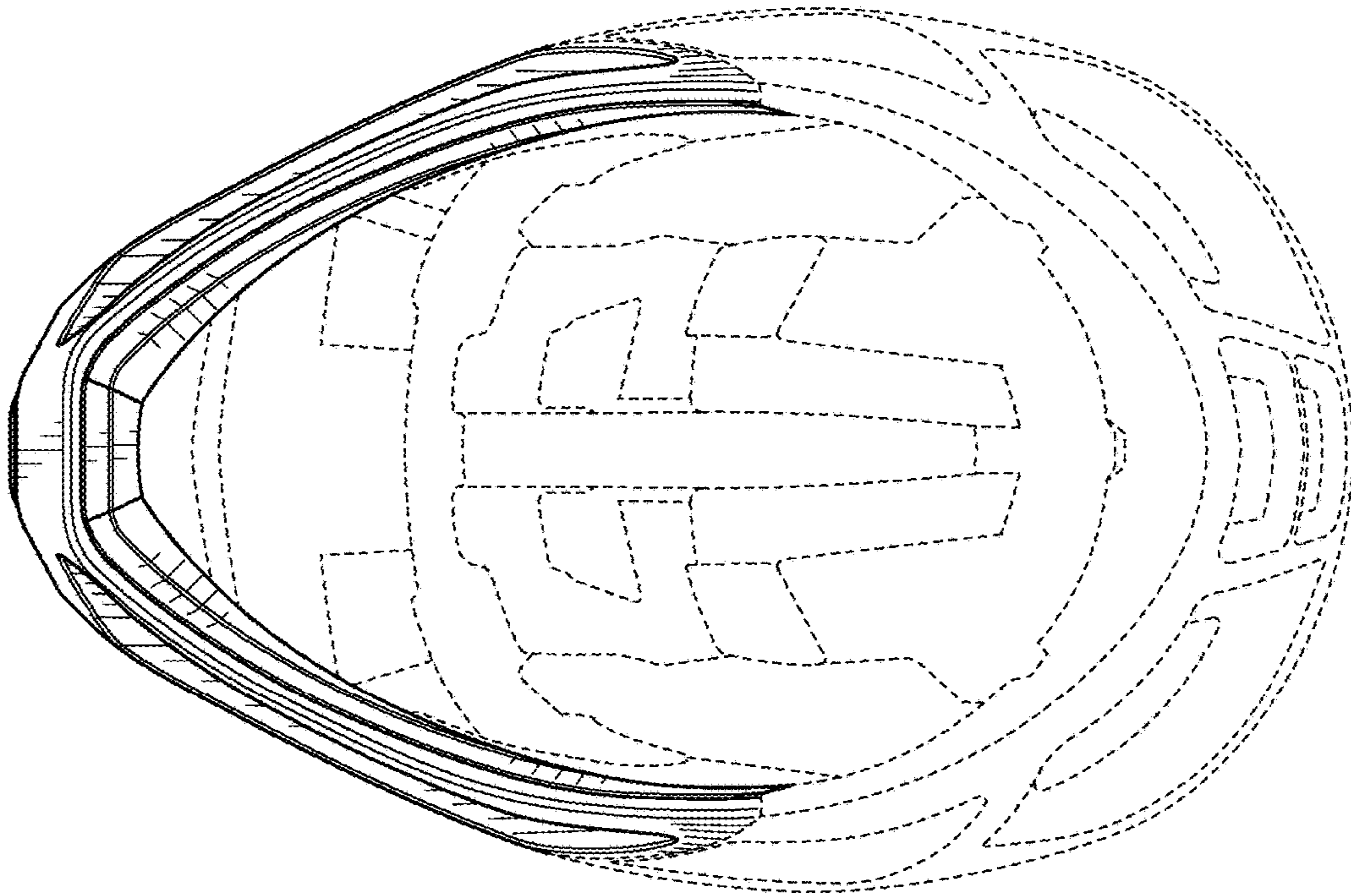


FIG. 7

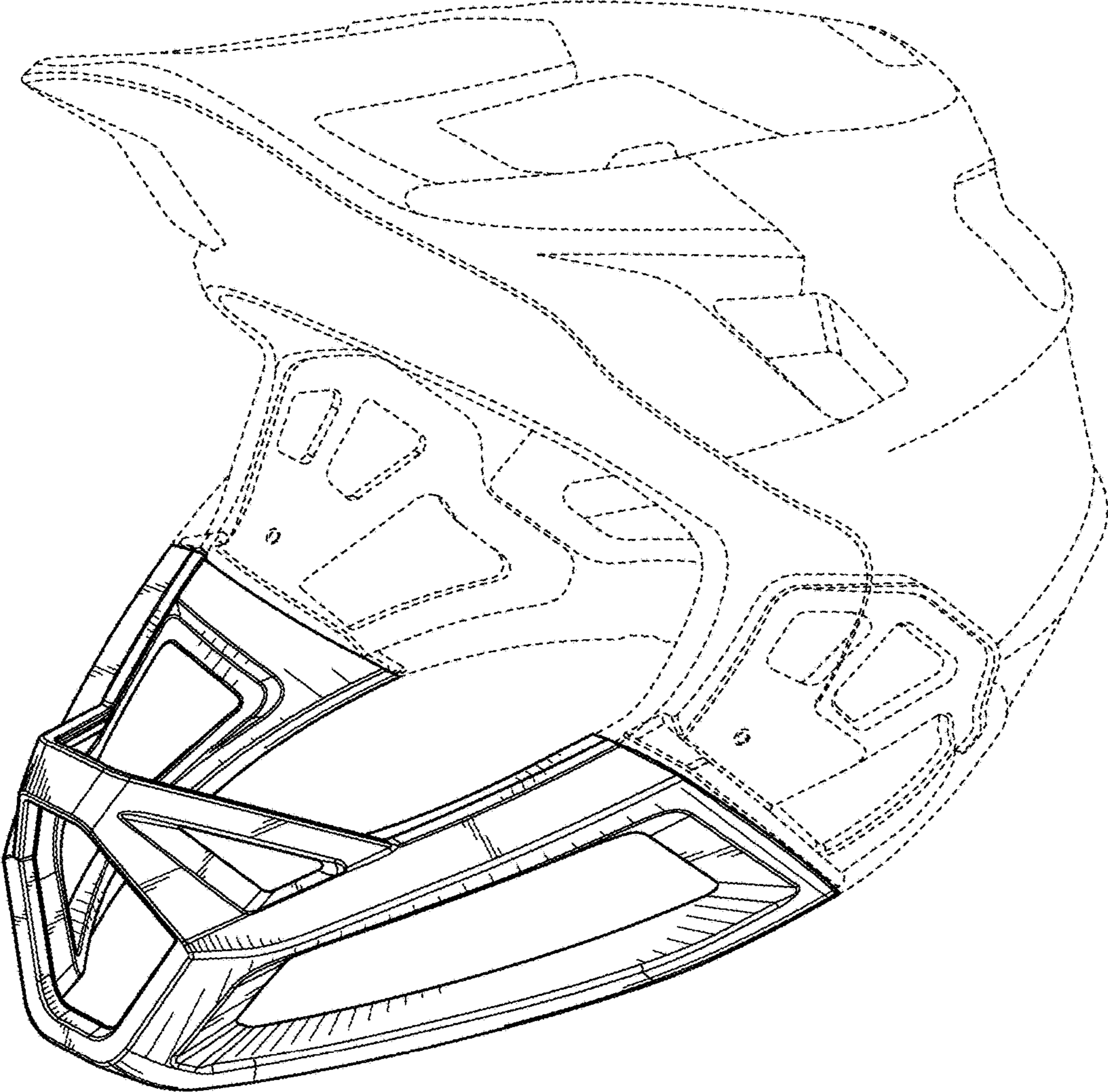


FIG. 8

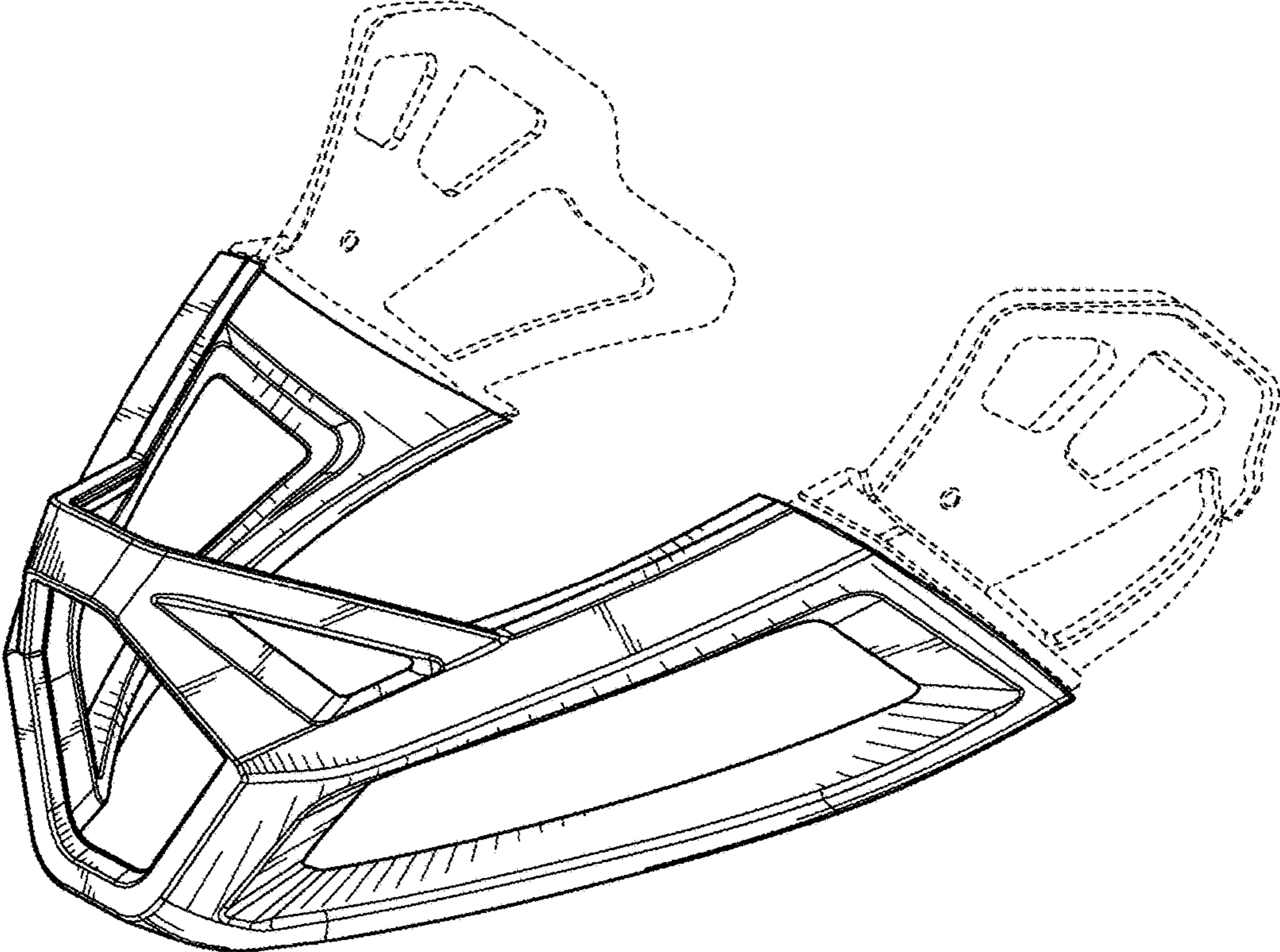


FIG. 9

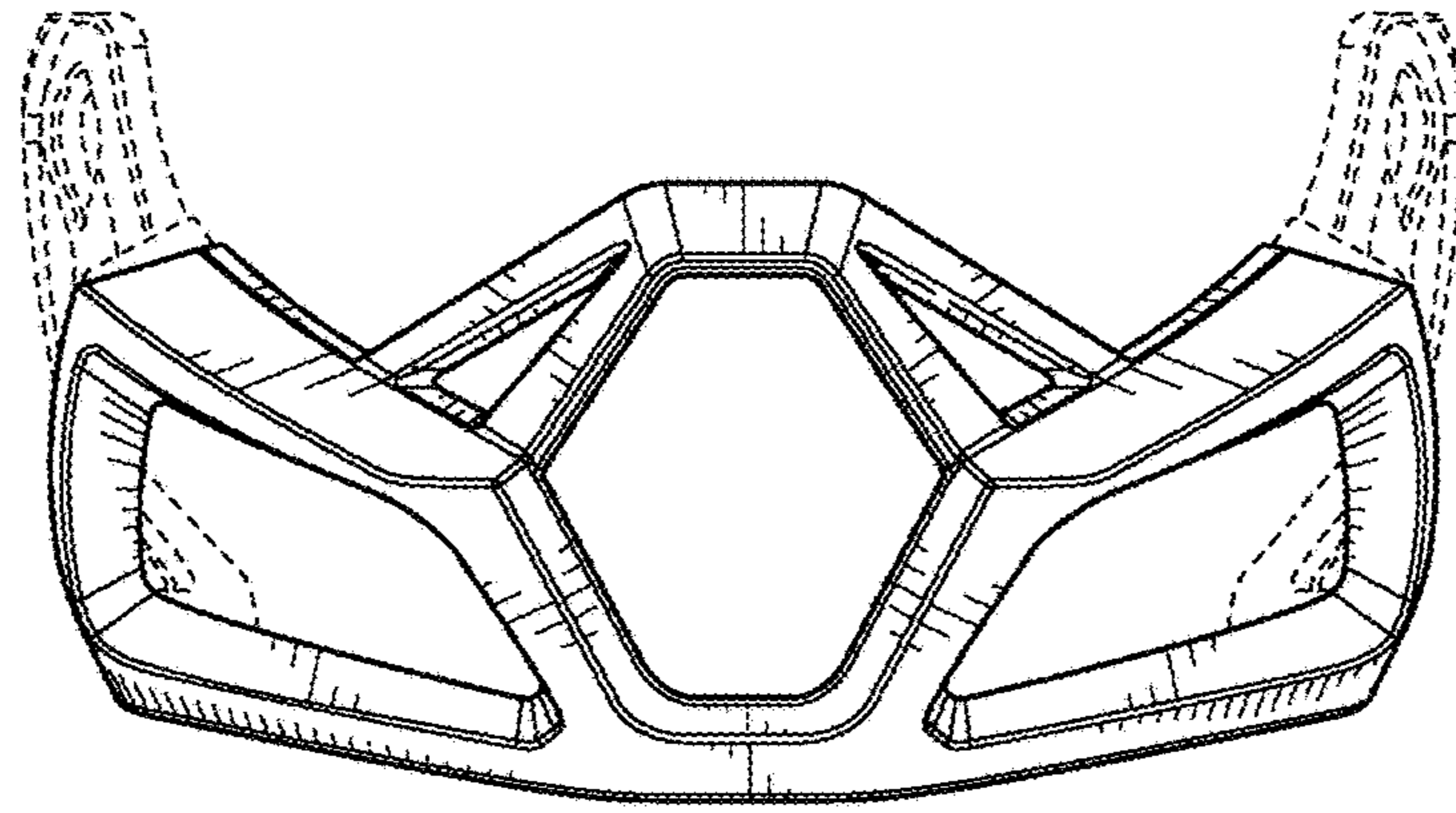


FIG. 10

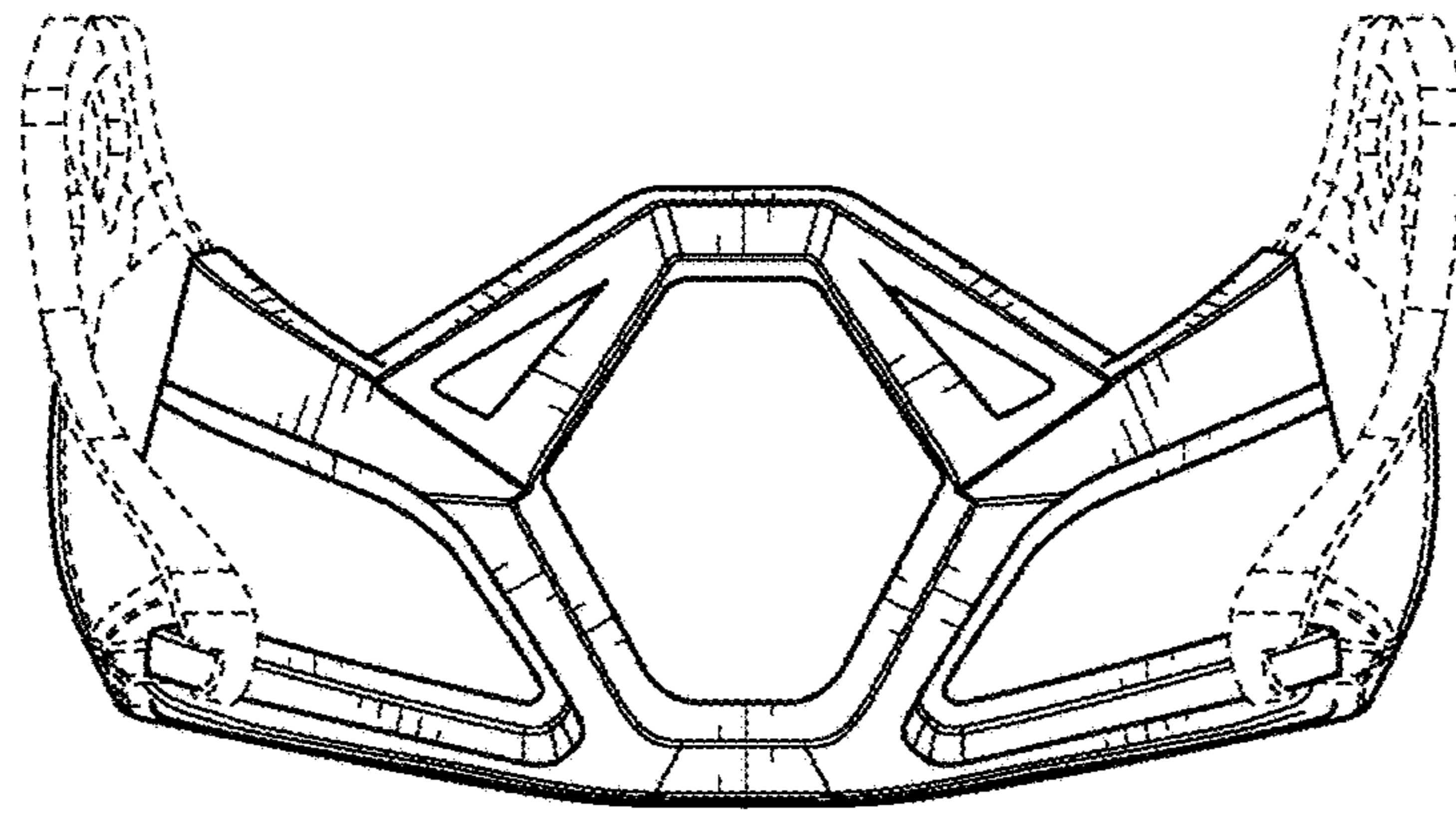


FIG. 11

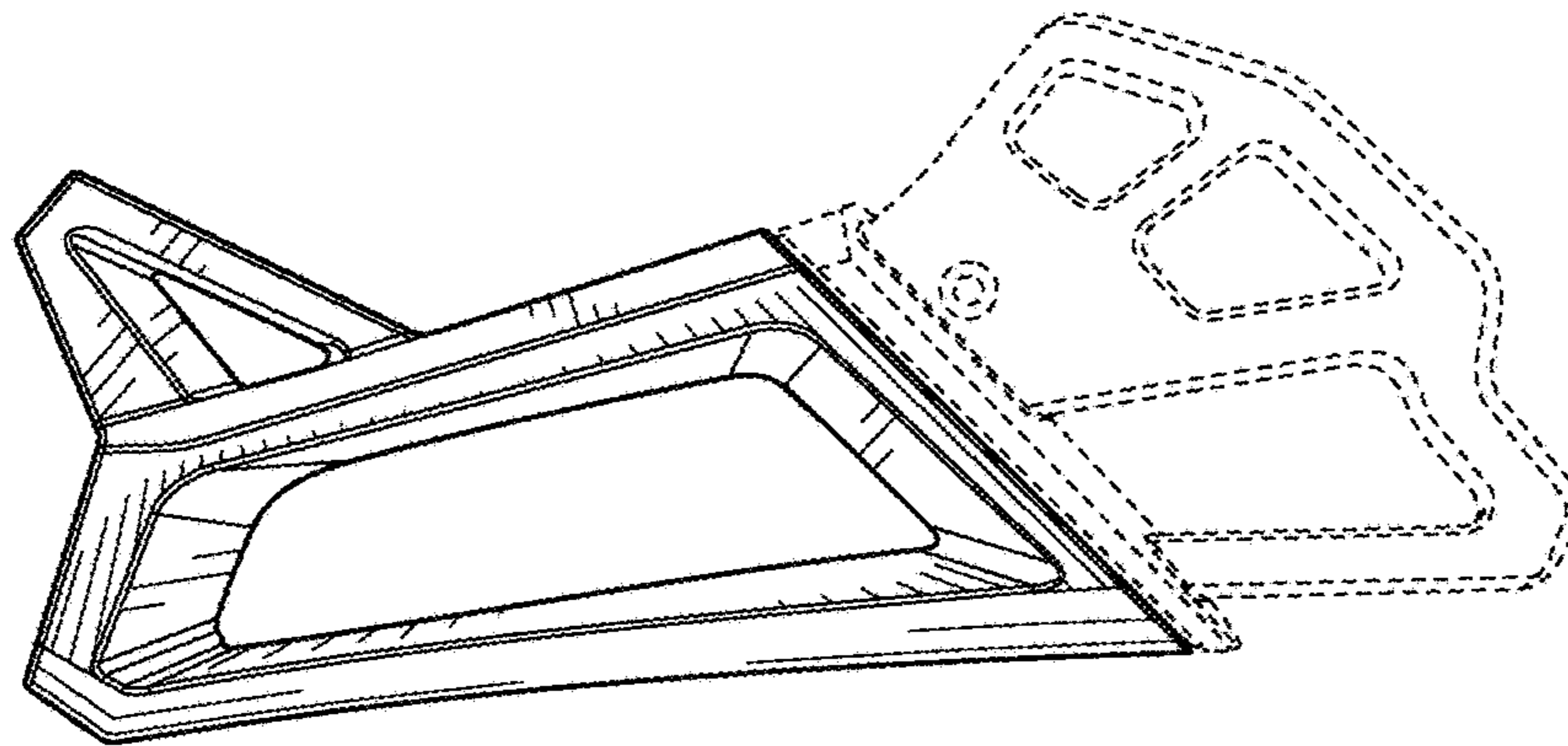


FIG. 12

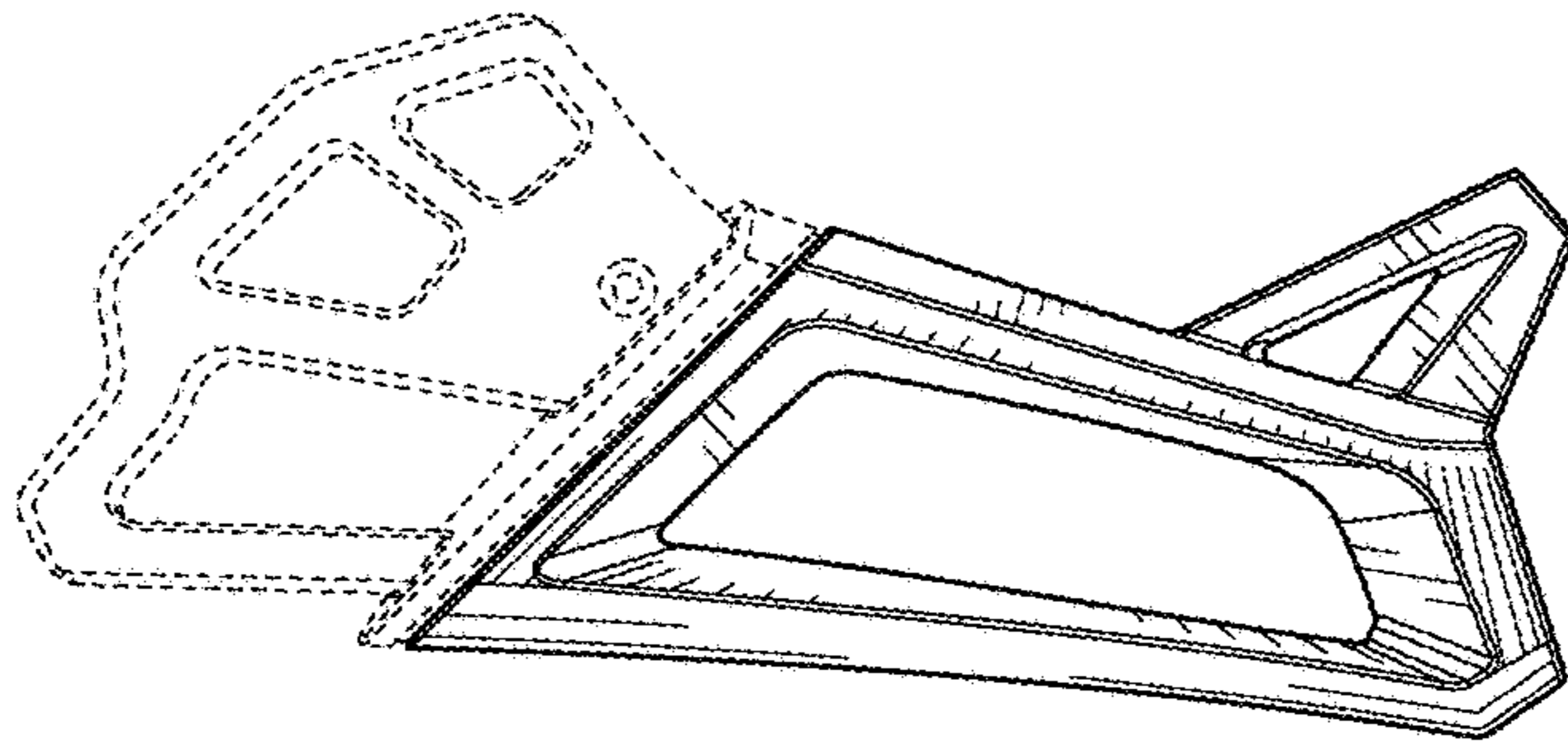


FIG. 13

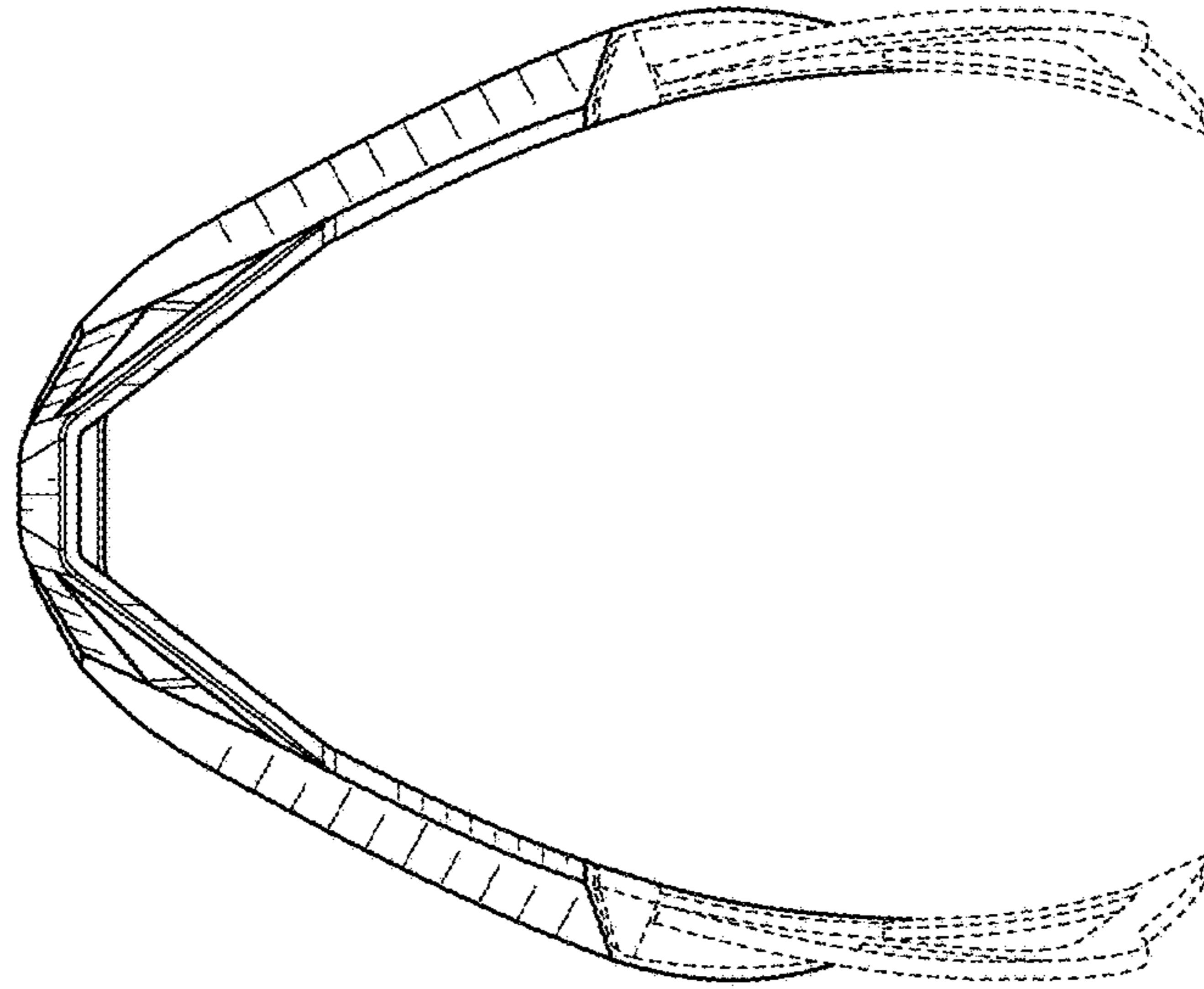


FIG. 14

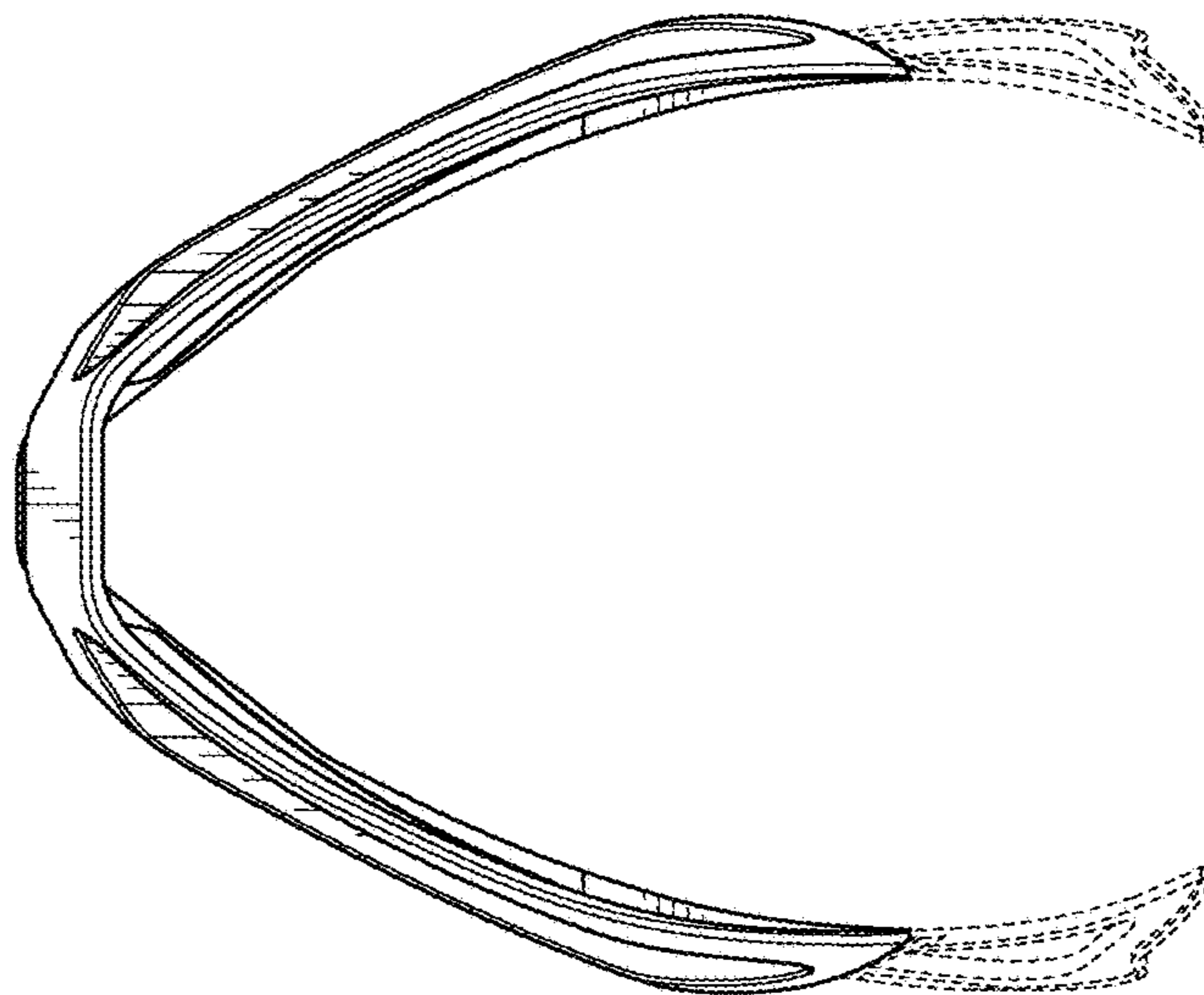


FIG. 15