



US00D808080S

(12) **United States Design Patent**
Corey et al.

(10) **Patent No.:** **US D808,080 S**
(45) **Date of Patent:** **** Jan. 16, 2018**

(54) **COSMETIC CONTAINER**

FOREIGN PATENT DOCUMENTS

(71) Applicant: **The Mentholatum Company**, Orchard Park, NY (US)

CL 2008-00214 7/2009
CL 2008-01867 7/2009

(Continued)

(72) Inventors: **Christopher A. Corey**, Orchard Park, NY (US); **Kevin J. Aylsworth**, Orchard Park, NY (US); **Shinjan Xie**, Torrance, CA (US); **Charles M. Smith**, East Aurora, NY (US); **Katherine Tocheff**, Orchard Park, NY (US); **D'Anna Farrar**, Williamsville, NY (US); **Raymond L. Lewis, Jr.**, Belchertown, MA (US)

OTHER PUBLICATIONS

Amazon.com. "Cube Cosmetic Container 50g/6 pcs" First available on amazon.com on Jul. 2, 2014. (http://www.amazon.com/gp/product/B00LGI57LW?ref_=pd_ybh_2). Accessed by US PTO on Aug. 12, 2015.

(Continued)

(73) Assignee: **THE MENTHOLATUM COMPANY**, Orchard Park, NY (US)

Primary Examiner — Marianne Pandozzi

Assistant Examiner — Jae Liang

(74) *Attorney, Agent, or Firm* — Pearne & Gordon LLP

(**) Term: **15 Years**

(57) **CLAIM**

The ornamental design for a cosmetic container, as shown and described.

(21) Appl. No.: **29/540,503**

(22) Filed: **Sep. 25, 2015**

DESCRIPTION

Related U.S. Application Data

(62) Division of application No. 29/469,065, filed on Oct. 7, 2013, now Pat. No. Des. 742,593.

(51) **LOC (11) Cl.** **28-03**

(52) **U.S. Cl.**

USPC **D28/85**; D28/83; D9/432; D9/726

(58) **Field of Classification Search**

USPC ... D28/85, 76, 86, 87, 88, 89, 90, 77, 7, 83; 132/317, 320, 318; 206/581, 823;

(Continued)

(56) **References Cited**

U.S. PATENT DOCUMENTS

1,636,251 A 7/1927 Shields
D85,363 S 10/1931 Betts

(Continued)

FIG. 1 is a perspective view of a first embodiment of a cosmetic container showing our new design;

FIG. 2 is a left-side view thereof;

FIG. 3 is a right-side view thereof;

FIG. 4 is a front view thereof;

FIG. 5 is a rear view thereof;

FIG. 6 is a top view thereof;

FIG. 7 is a bottom view thereof;

FIG. 8 is a perspective view of the second embodiment of the cosmetic container;

FIG. 9 is a left-side view of thereof;

FIG. 10 is a right-side view of thereof;

FIG. 11 is a front view thereof;

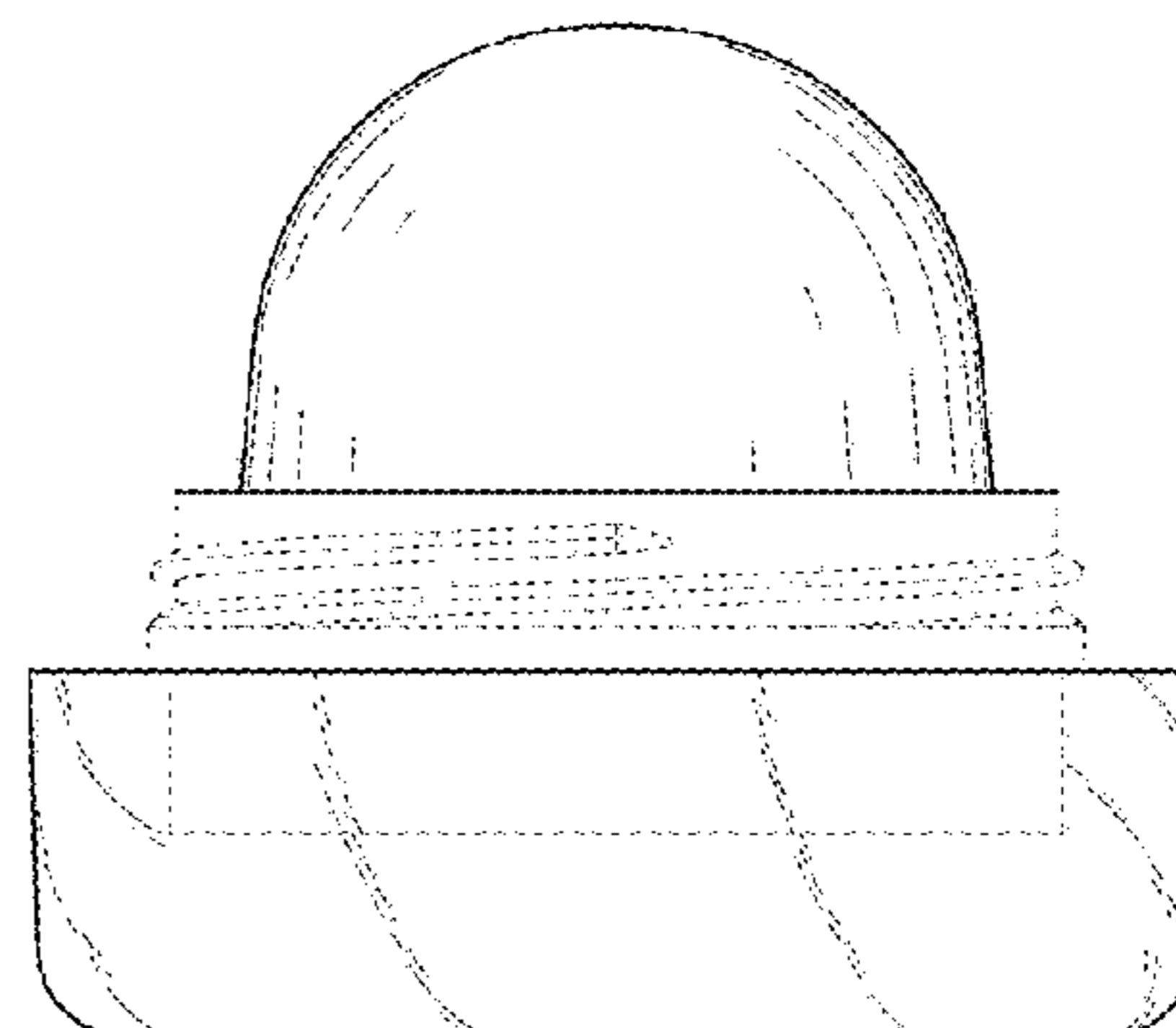
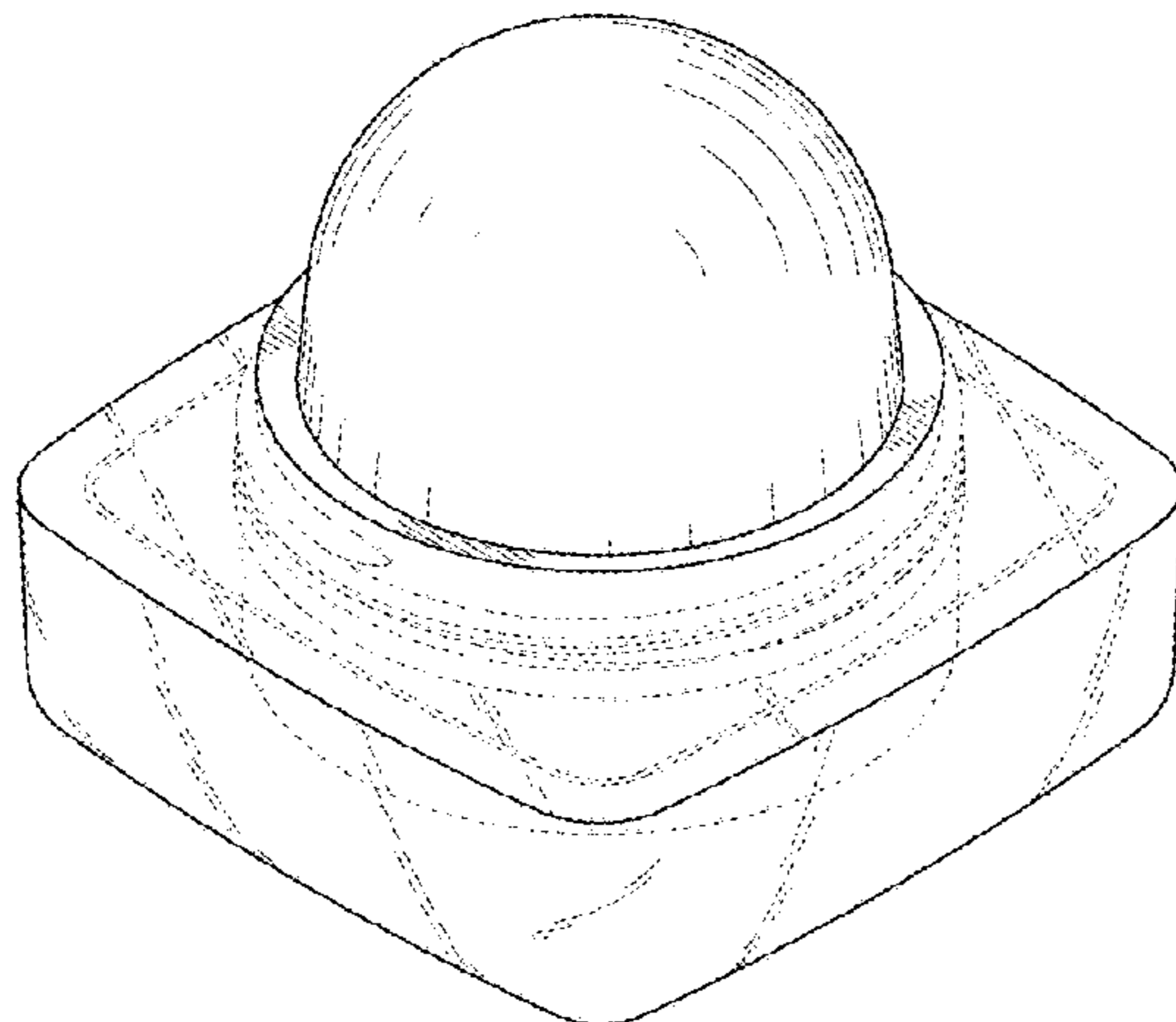
FIG. 12 is a rear view thereof;

FIG. 13 is a top view thereof; and,

FIG. 14 is a bottom view thereof.

The broken lines in the drawing depict portions of the cosmetic container that form no part of the claimed design.

1 Claim, 8 Drawing Sheets



(58) **Field of Classification Search**
 USPC 401/68, 88, 98, 126–130; D9/726, 503,
 D9/504, 770, 432; D3/279, 901, 529,
 D3/424, 432, 273, 903, 203.1, 203.2,
 D3/203.5, 203.6, 203.7, 203.8, 207, 211,
 D3/270, 304
 CPC A45D 34/04; A45D 34/041; A45D 40/26;
 A45D 40/261; A45D 33/12; A45D 34/06
 See application file for complete search history.

(56) **References Cited**

U.S. PATENT DOCUMENTS

1,852,455 A	4/1932	Friedman	D505,517 S	5/2005	Baresi et al.
3,351,186 A	11/1967	Betts	D506,867 S	7/2005	Galan
D241,013 S	8/1976	Dekker	D507,177 S	7/2005	Weissman
D243,069 S	1/1977	Igelman	6,923,347 B2	8/2005	Winckels
D244,085 S	4/1977	Giddings et al.	D510,700 S	10/2005	Au
D246,129 S	10/1977	Klamer	6,988,630 B2	1/2006	Matsumoto
D247,104 S	1/1978	Noval	D518,857 S	4/2006	Miller
D259,398 S	6/1981	Shiffman	7,025,520 B2	4/2006	Petit
D259,399 S	6/1981	Shiffman	7,047,983 B2	5/2006	Manougian et al.
D269,467 S	6/1983	Mann	D532,937 S	11/2006	Noh
D271,180 S	11/1983	Runyon	D537,201 S	2/2007	McLeish et al.
D272,605 S	2/1984	Pelletier	D540,689 S	4/2007	Dorfmueller
4,765,501 A	8/1988	Kao	D543,453 S	5/2007	Fu et al.
4,811,726 A	3/1989	Goncalves et al.	D552,633 S	10/2007	Volkan
D306,694 S	3/1990	Beier-Rosetti	D555,835 S	11/2007	Song
D306,933 S	4/1990	Holewinski	D558,486 S	1/2008	Hoang et al.
D306,973 S	4/1990	Kaplan	D562,699 S	2/2008	Green et al.
D308,939 S	7/1990	Desgripps	D567,667 S	4/2008	Kikuchi
D317,717 S	6/1991	Carol	D582,291 S	12/2008	de Baschmakoff
D320,933 S	10/1991	Courtiere et al.	D584,950 S	1/2009	Courtaigne
D324,172 S	2/1992	Mederer	D592,502 S	5/2009	Cassebasse
D327,423 S	6/1992	Turner-Adams	D595,577 S	7/2009	Uneno
5,326,185 A	7/1994	Dombusch et al.	D604,605 S	11/2009	Chung et al.
D349,976 S	8/1994	Connell	7,614,405 B2	11/2009	Allen et al.
5,396,913 A	3/1995	Wallschlaeger	D608,840 S	1/2010	Crutchfield
5,496,122 A	3/1996	Fattori	D610,458 S	2/2010	Martin
D368,430 S	4/1996	Herzog	D615,868 S	5/2010	Rodriguez et al.
5,542,561 A	8/1996	Slink et al.	D620,368 S	7/2010	Pedersen
5,547,072 A	8/1996	Kaiser	D625,469 S	10/2010	Dubitsky et al.
D377,757 S	2/1997	Bertolini et al.	D630,514 S	1/2011	Niikura et al.
5,598,929 A	2/1997	Jensen et al.	D631,204 S	1/2011	Dubitsky et al.
5,609,430 A	3/1997	Mazzola et al.	D639,702 S	6/2011	Jean-Denis
5,738,123 A	4/1998	Szekely	D644,108 S	8/2011	Vila Calvo
5,826,741 A	10/1998	Dumler et al.	D644,939 S *	9/2011	Teller D9/726
5,875,795 A	3/1999	Bouix	D649,449 S	11/2011	Akana et al.
5,875,918 A	3/1999	Sheffler et al.	D651,903 S	1/2012	Teller
5,888,004 A	3/1999	Bouix	D656,598 S	3/2012	Motyliniski et al.
D408,738 S	4/1999	Wu	8,162,140 B2	4/2012	Hansen et al.
5,896,866 A	4/1999	Quennessen	D659,530 S	5/2012	Akana et al.
5,931,169 A	8/1999	Kervoalen	D663,524 S *	7/2012	Penttinen D3/273
D413,799 S	9/1999	Schlatter	8,210,347 B2	7/2012	McLaughlin
6,006,937 A	12/1999	Baravaglio et al.	8,226,311 B2	7/2012	Cronin
6,039,053 A	3/2000	Turrentine	D668,143 S	10/2012	Akana et al.
6,050,438 A	4/2000	Kovens et al.	D672,554 S	12/2012	Penttinen
6,102,209 A	8/2000	D'Andrea	D677,173 S	3/2013	D'Hollander
D436,532 S	1/2001	Richardson	D686,065 S	7/2013	Kuo et al.
D438,297 S	2/2001	Audebourg	D699,129 S	2/2014	Possell et al.
6,193,427 B1	2/2001	Benguigui	D702,547 S	4/2014	Akana et al.
6,293,721 B1	9/2001	Bow et al.	D706,643 S	6/2014	Akana et al.
D451,242 S	11/2001	Neergaard	D709,385 S	7/2014	Vural
6,367,640 B1	4/2002	Julian	D709,652 S *	7/2014	Teller D28/83
D467,038 S	12/2002	Restrepo	D711,236 S	8/2014	Friesen et al.
D468,869 S	1/2003	Thorpe	D713,286 S	9/2014	Malaspina
D477,227 S	7/2003	Goswell	D723,766 S	3/2015	Kamakura et al.
D478,513 S	8/2003	Canamasas	D726,028 S	4/2015	Thompson
D479,128 S	9/2003	Jowett	D732,240 S	6/2015	Brown
D484,646 S	12/2003	Ditrichstein	D734,550 S *	7/2015	Schlatter D28/83
D484,797 S	1/2004	Kipperman et al.	D734,895 S	7/2015	Liu
6,695,508 B2	2/2004	Gueret	D735,413 S	7/2015	Smith et al.
6,722,064 B2	4/2004	Knapp et al.	D735,415 S	7/2015	Thompson
D498,502 S	11/2004	Duke	D741,603 S *	10/2015	Mehta D4/116
6,820,744 B2	11/2004	Hoffman	D786,078 S *	5/2017	Futagami D28/8
6,843,611 B2	1/2005	Biondeel et al.	2002/0038661 A1	4/2002	Gueret
			2002/0127046 A1	9/2002	Gueret
			2004/0069677 A1	4/2004	Baudin
			2004/0074805 A1	4/2004	Petit
			2004/0237996 A1	12/2004	Fischer et al.
			2005/0002724 A1	1/2005	Biondeel et al.
			2005/0011895 A1	1/2005	Lin
			2005/0082180 A1	4/2005	Smouha
			2005/0167307 A1	8/2005	Cheng
			2005/0218560 A1	10/2005	Booth
			2005/0257805 A1	11/2005	Williams
			2006/0005853 A1	1/2006	Shen
			2006/0186075 A1	8/2006	Rainey et al.
			2006/0201838 A1	9/2006	Sasaki
			2006/0254945 A1	11/2006	Green et al.
			2006/0272671 A1	12/2006	Dobler et al.
			2007/0017915 A1	1/2007	Weder et al.

(56)

References Cited

U.S. PATENT DOCUMENTS

2007/0204876	A1	9/2007	Allen et al.	
2007/0295619	A1	12/2007	Lee	
2009/0022541	A1	1/2009	De Laforcade	
2009/0032424	A1	2/2009	McLaughlin	
2010/0175704	A1	7/2010	Gueret	
2010/0322693	A1	12/2010	Mallardi, III	
2011/0024316	A1	2/2011	Ginsburg	
2011/0135377	A1	6/2011	Teller	
2013/0302080	A1	11/2013	Teller	
2013/0308993	A1	11/2013	Teller	
2013/0322950	A1	12/2013	Teller	
2013/0341832	A1	12/2013	Teller	
2013/0341833	A1	12/2013	Teller	
2014/0013712	A1	1/2014	Teller	
2015/0096919	A1	4/2015	Thompson	
2016/0022005	A1*	1/2016	Suzuki	A45D 33/006 401/126

FOREIGN PATENT DOCUMENTS

CL	2009-01526	8/2010
CL	2012-00483	10/2012
CL	201301766	2/2014
EM	001149918-0001	2/2009
EM	001598350-0001	5/2009
GB	3007936	10/2002

GB	3009382	12/2002
JP	D1488404	12/2013
JP	D1488405	12/2013
KR	30-0588936	11/2010
KR	30-0608676	8/2011
PH	3-2001-000516	4/2003
PH	3-2007-000071	5/2007
PH	3-2010-000473	8/2010
PH	3-2011-000307	10/2011
TW	D113013	9/2006
TW	D144113	12/2011

OTHER PUBLICATIONS

Google image search. "capsule toy", date restricted to show results prior to May 8, 2013. Accessed by US PTO on Aug. 13, 2015.

Google image search. "clear lip pot", date restricted to show results prior to May 8, 2013. Accessed by US PTO on Aug. 13, 2015.

Makeup Morsels Blog. "A Tale of Two Eyedrops". Posted on Oct. 16, 2010. Accessed by US PTO on Aug. 13, 2015. (<https://makeupmorsels.wordpress.com/2010/10/16/a-tale-of-two-eyedrops/>).

Photographs of "Mentholatum Water Lip Massage Therapy" product and cosmetic container on sale in Vietnam since 2007.

Photographs of "Water Replenish" cosmetic container on sale in China from 2005 to 2011.

* cited by examiner

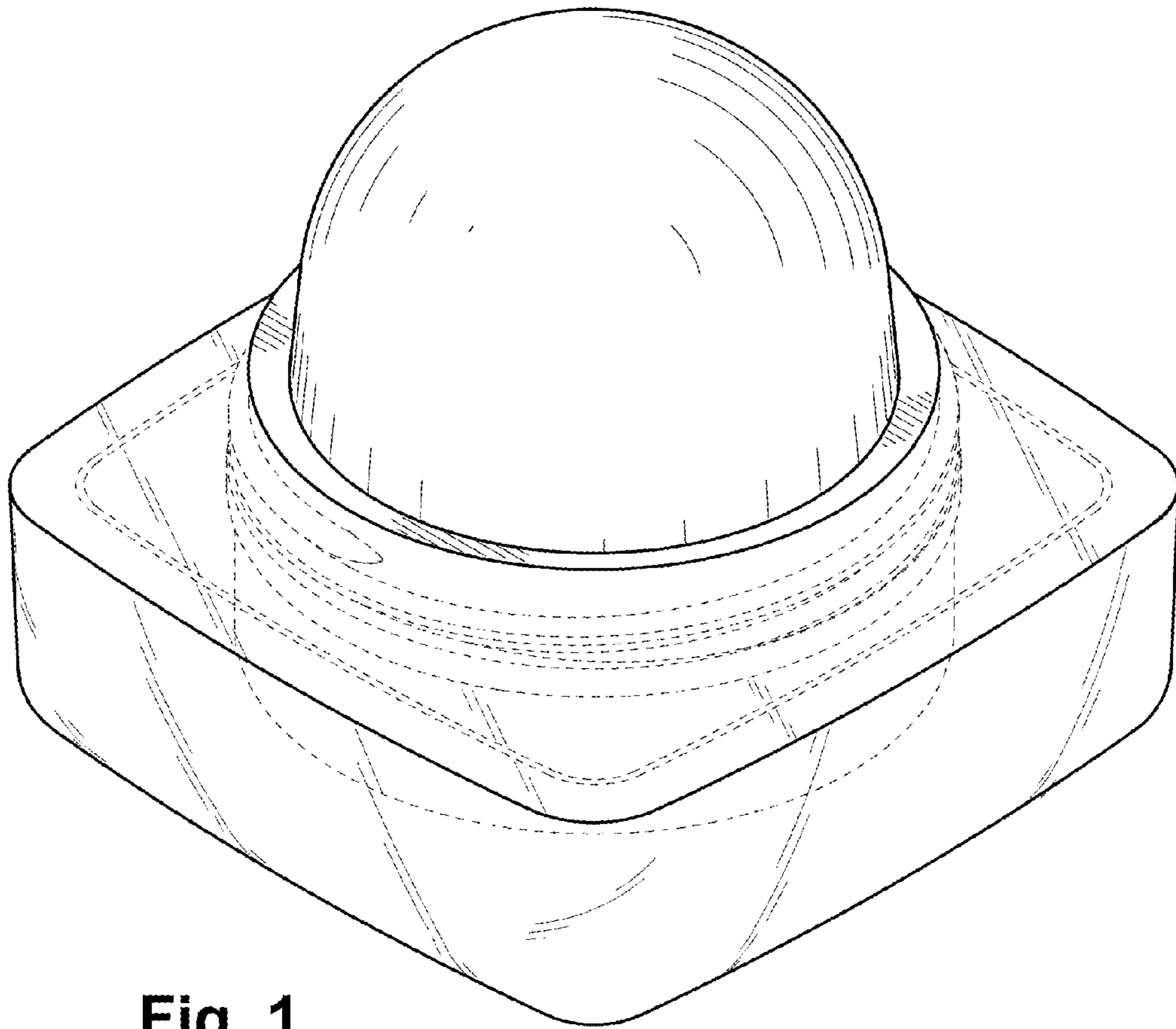


Fig. 1

Fig. 2

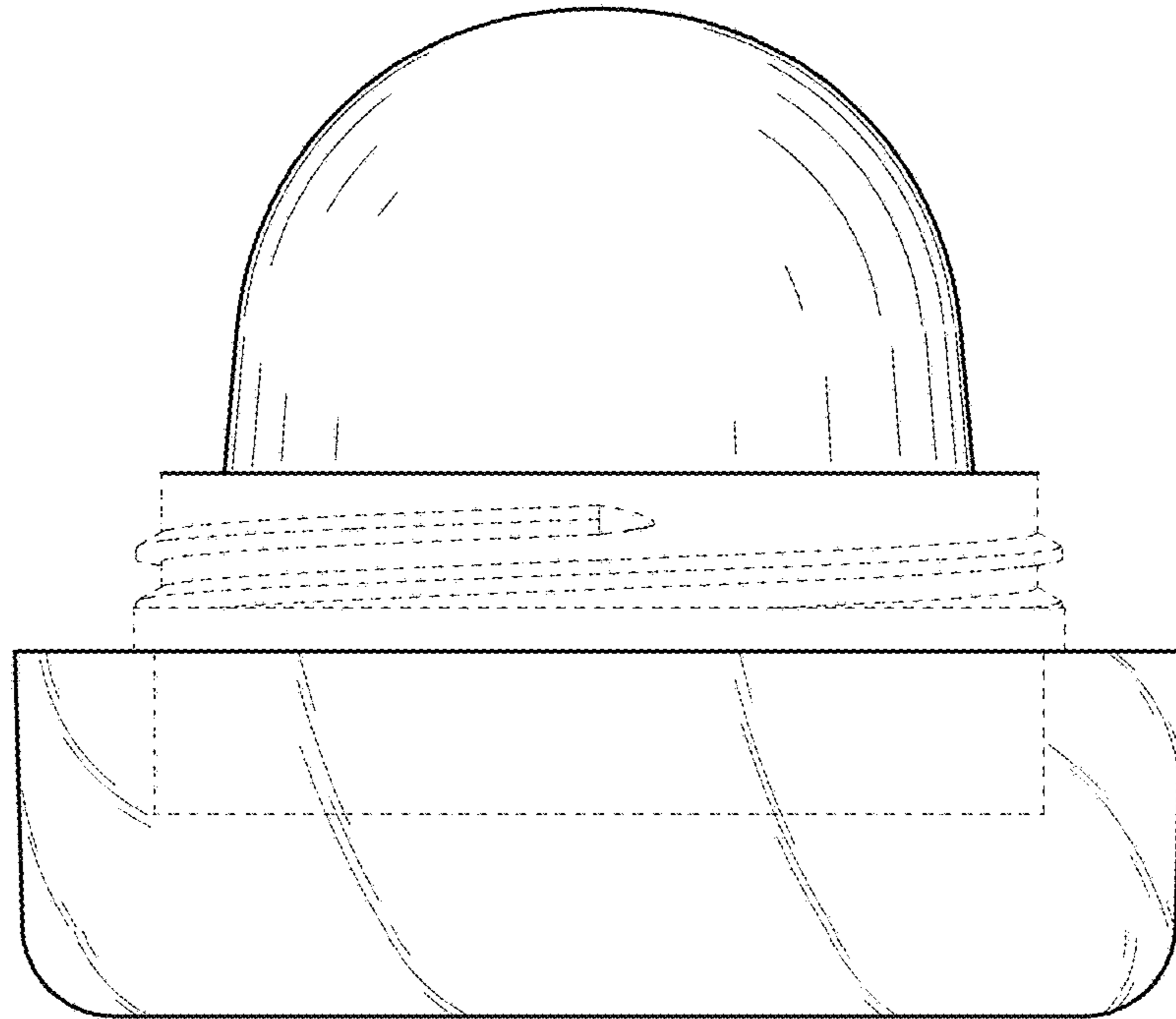


Fig. 3

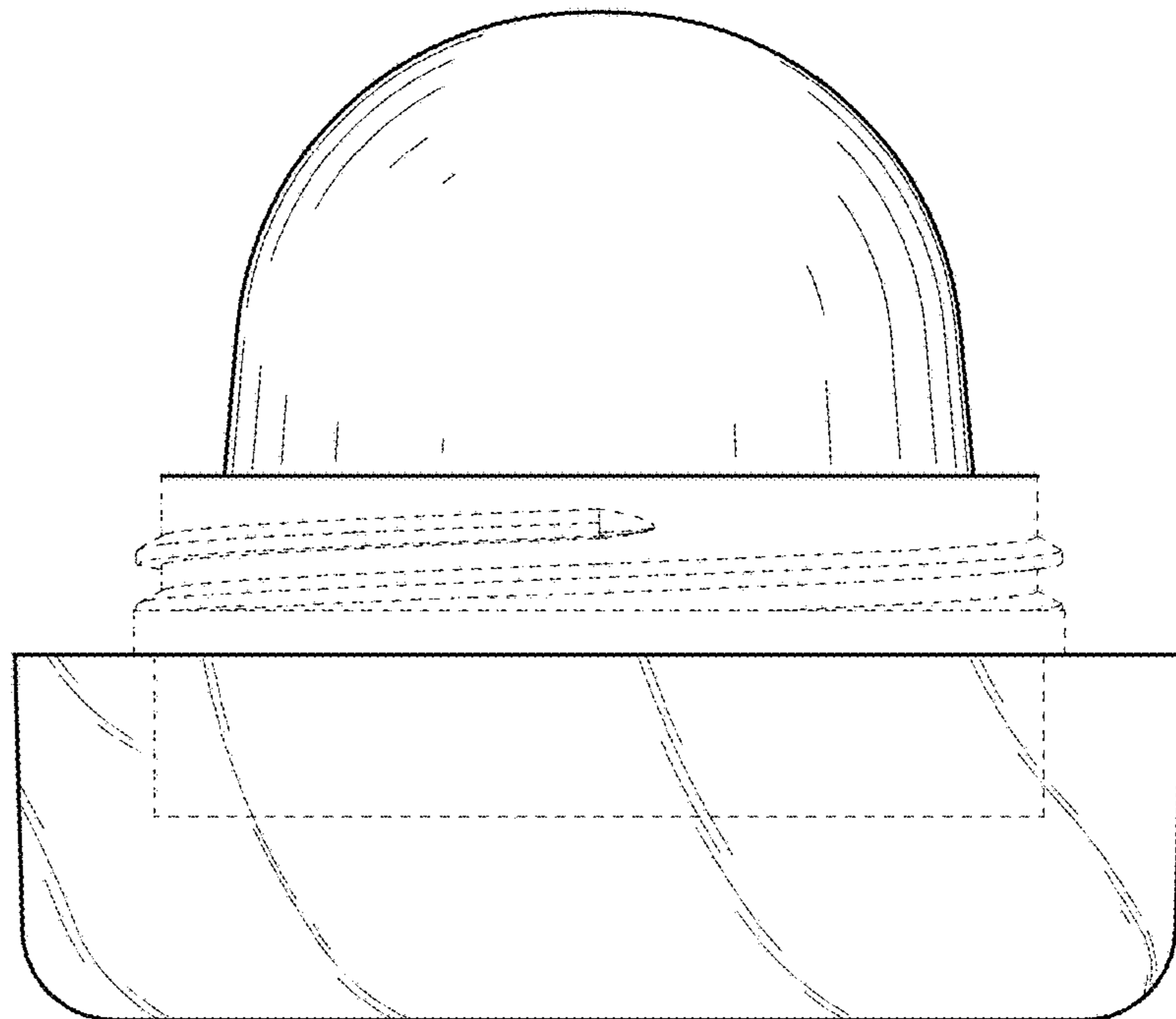


Fig. 4

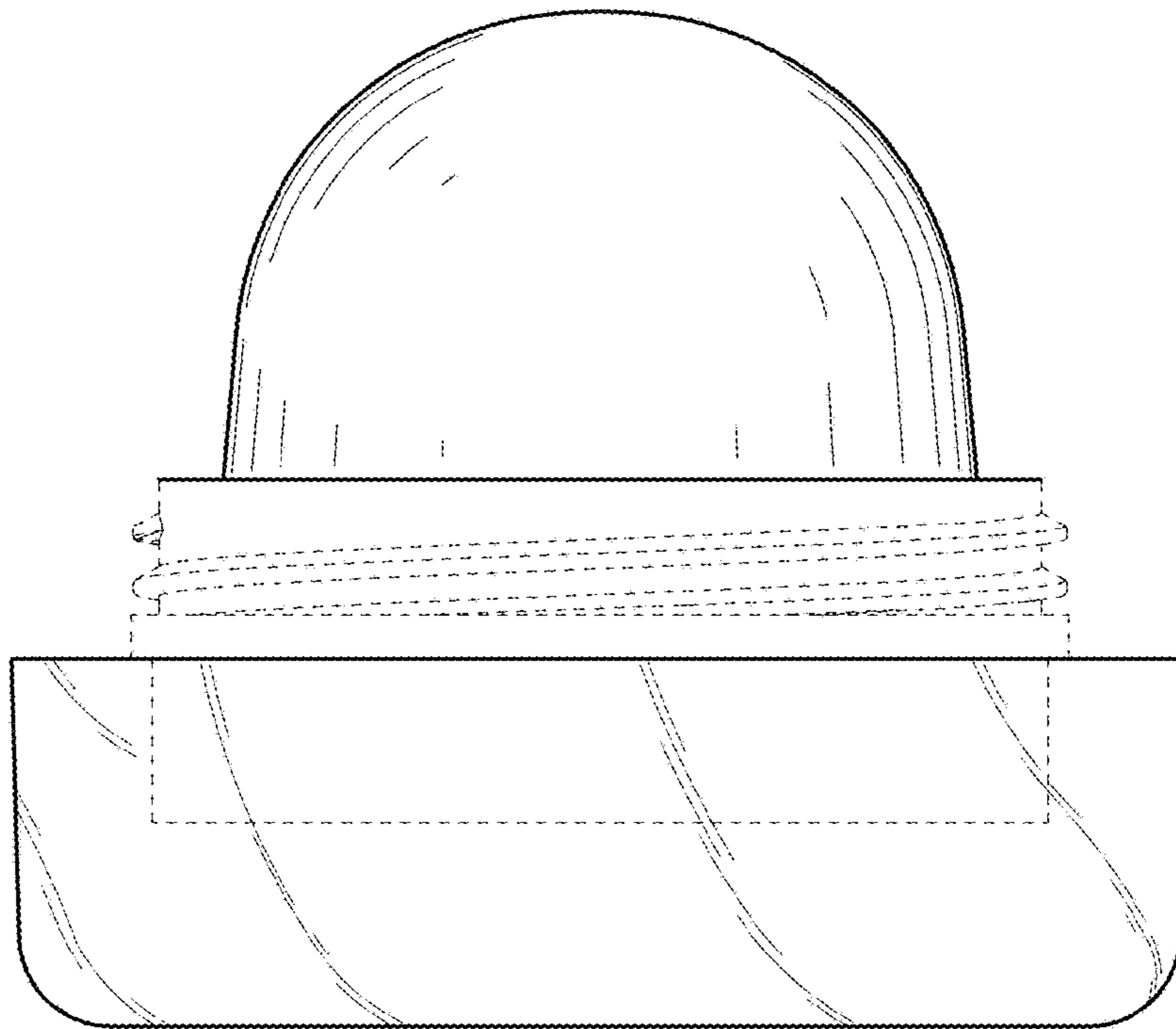


Fig. 5

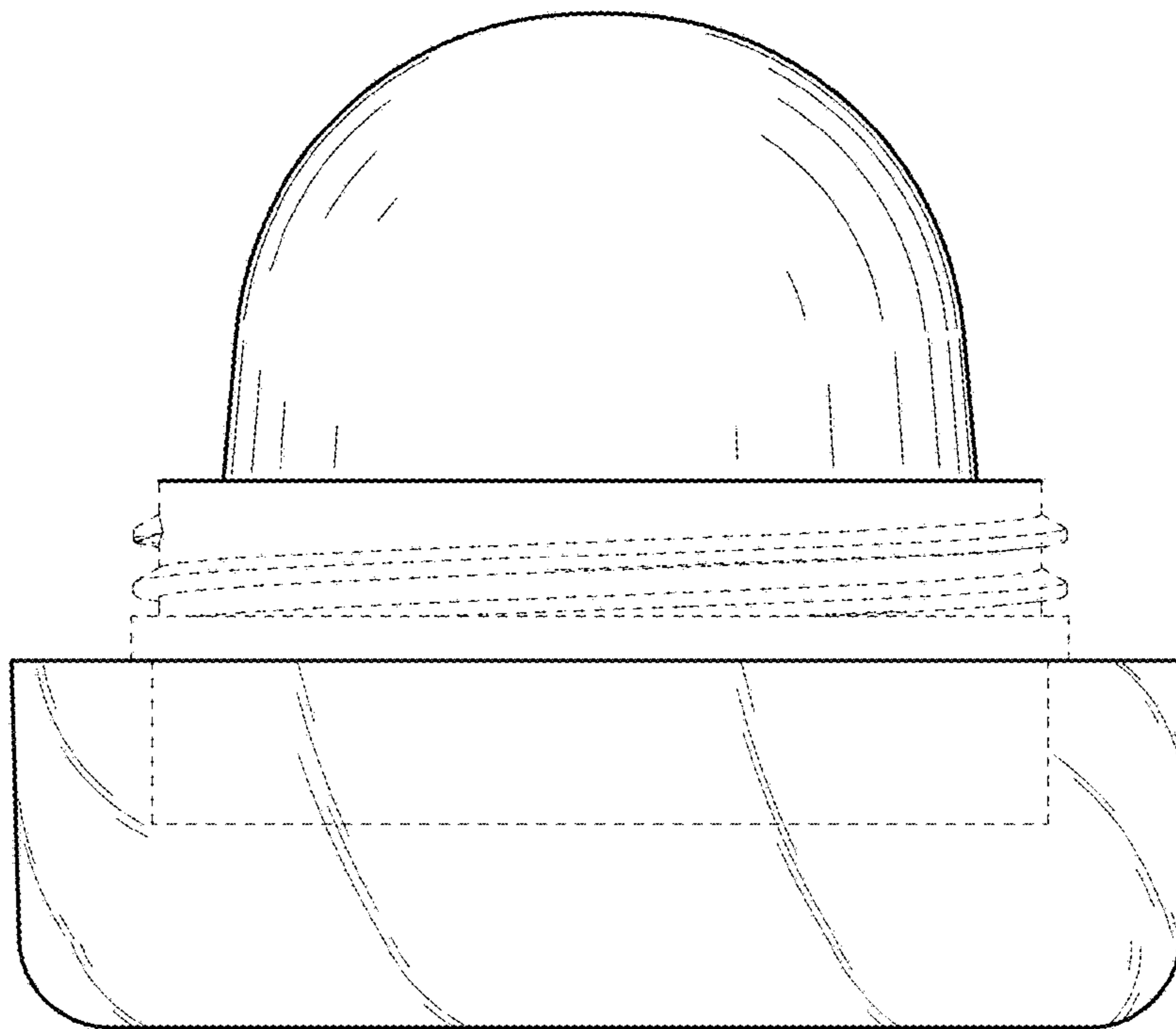


Fig. 6

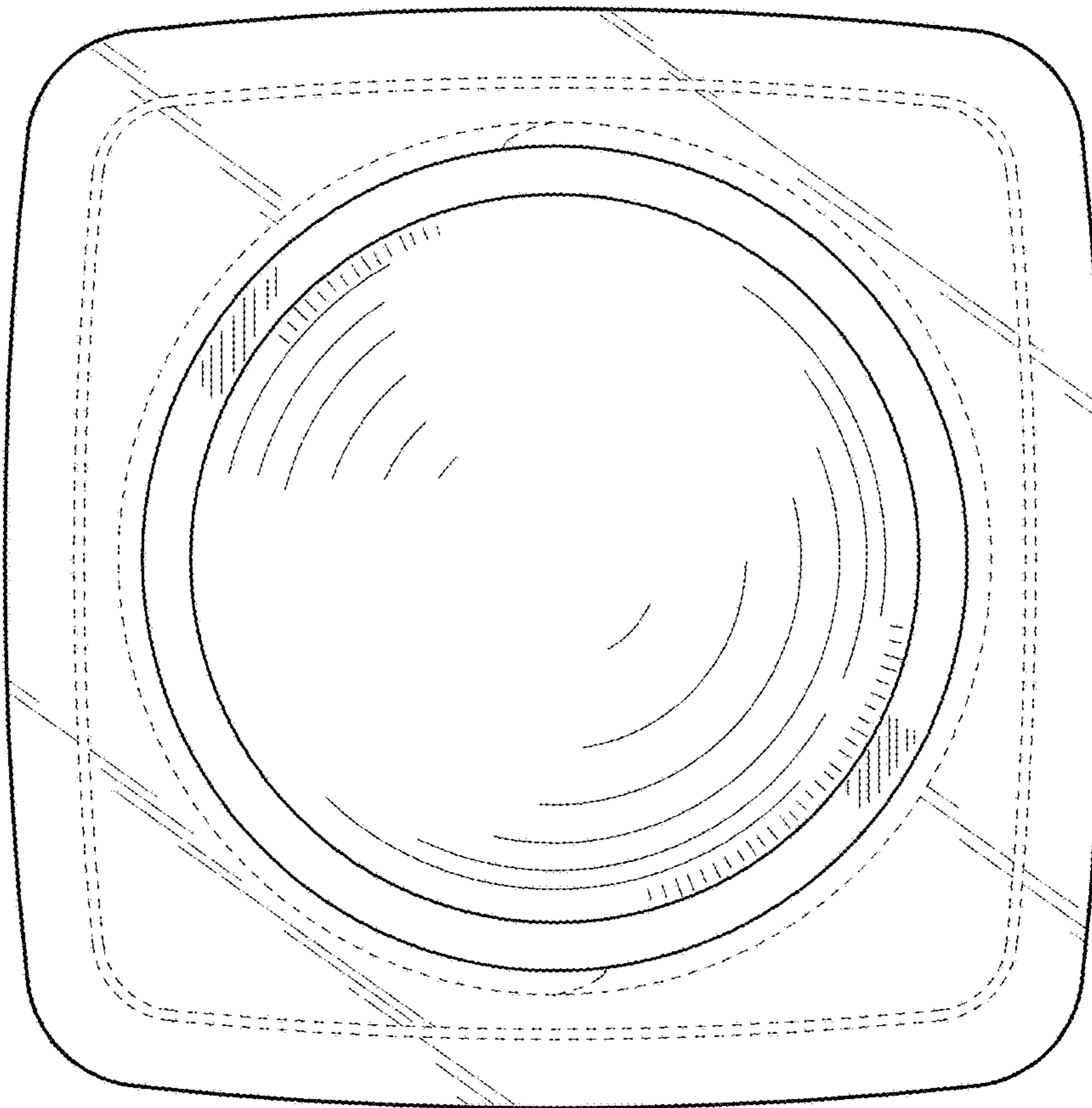
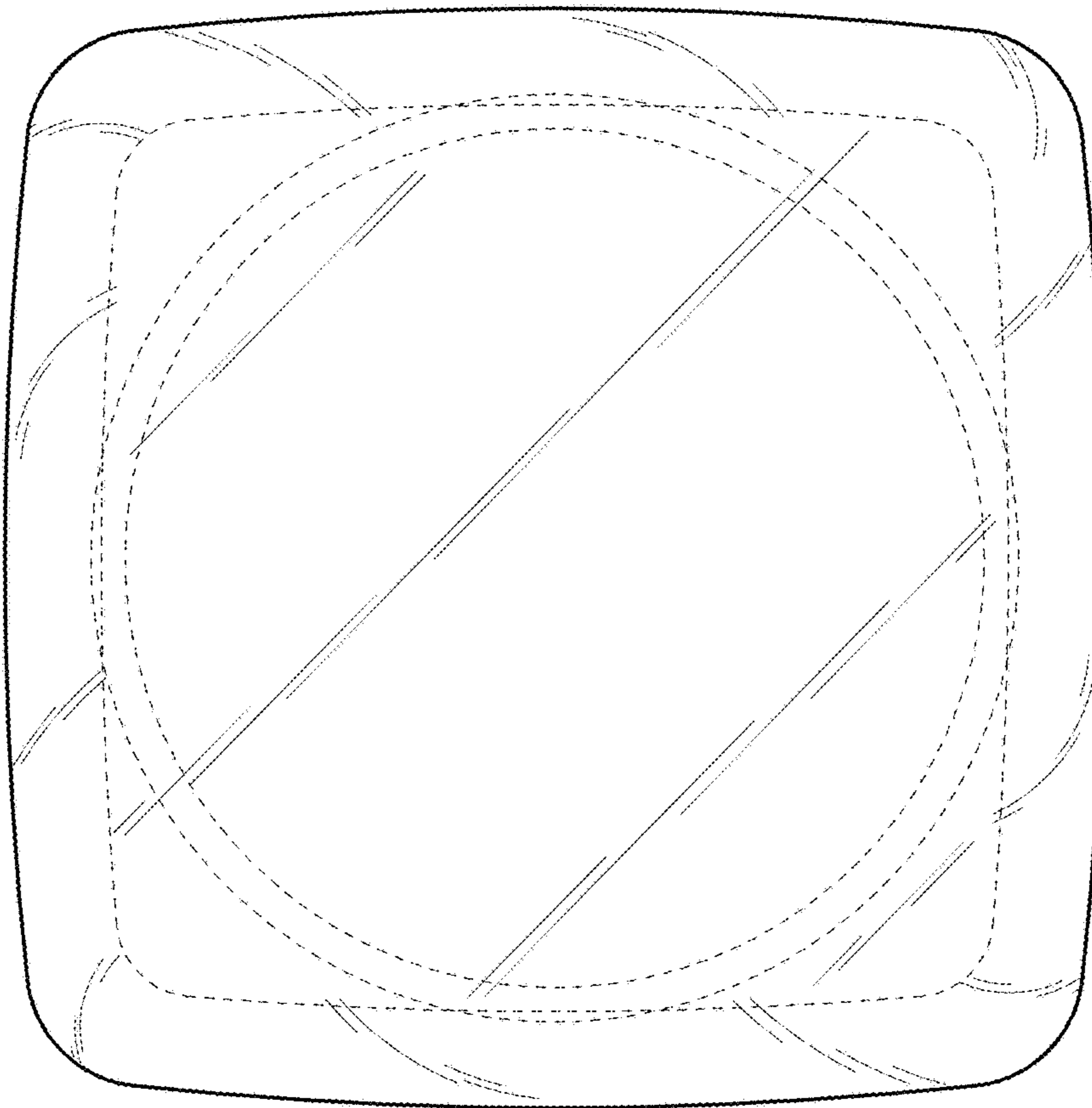


Fig. 7



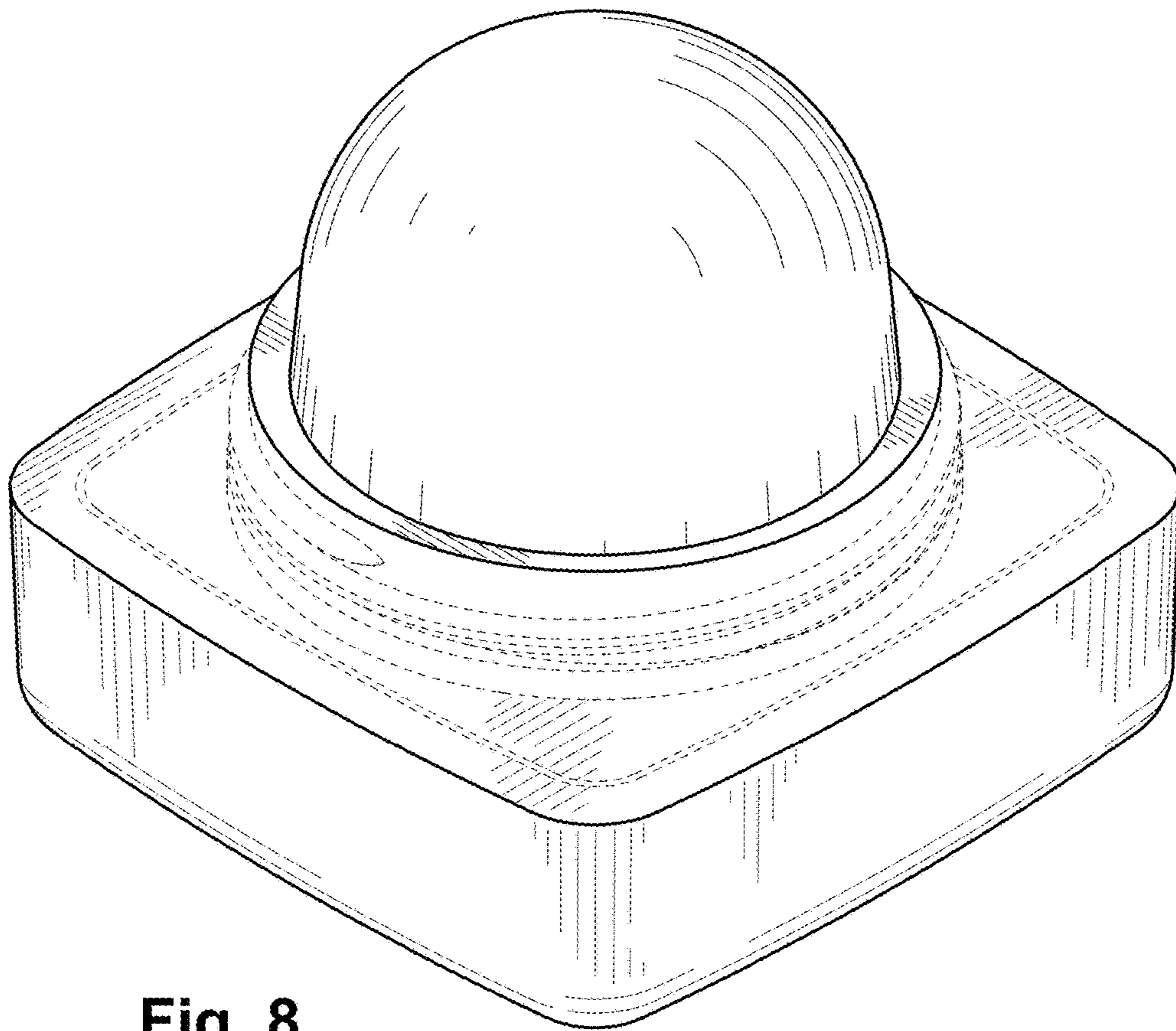


Fig. 8

Fig. 9

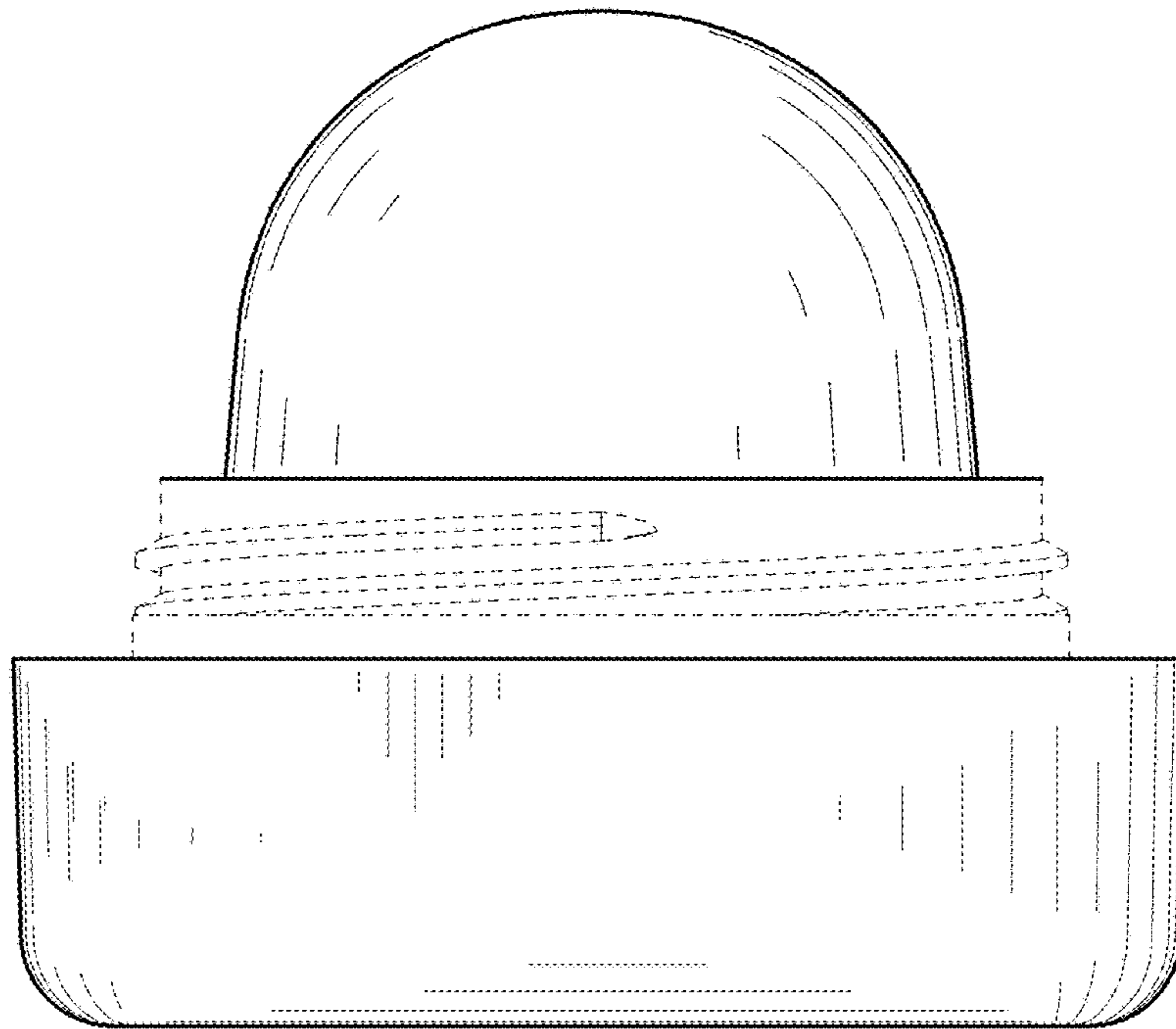


Fig. 10

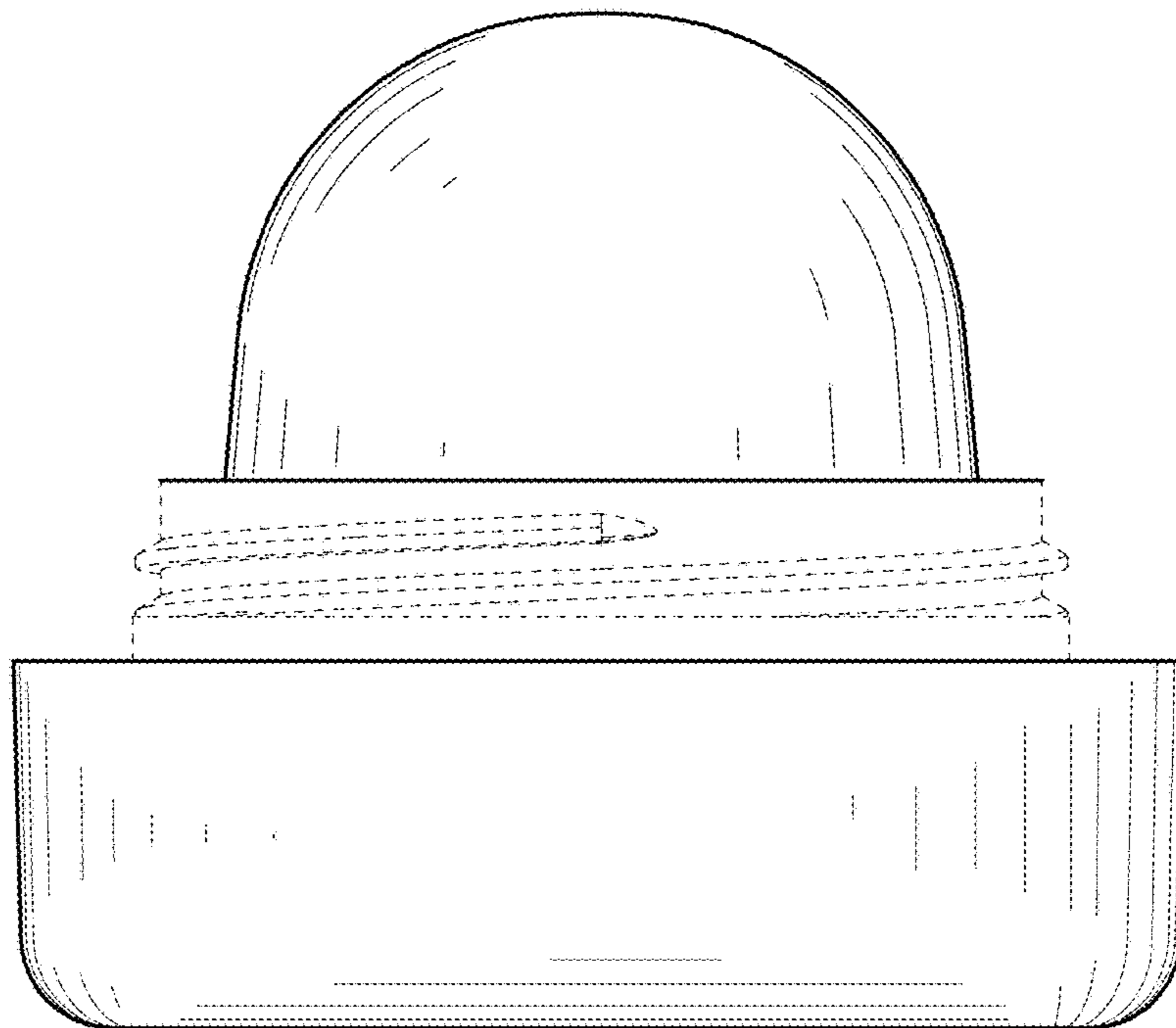


Fig. 11

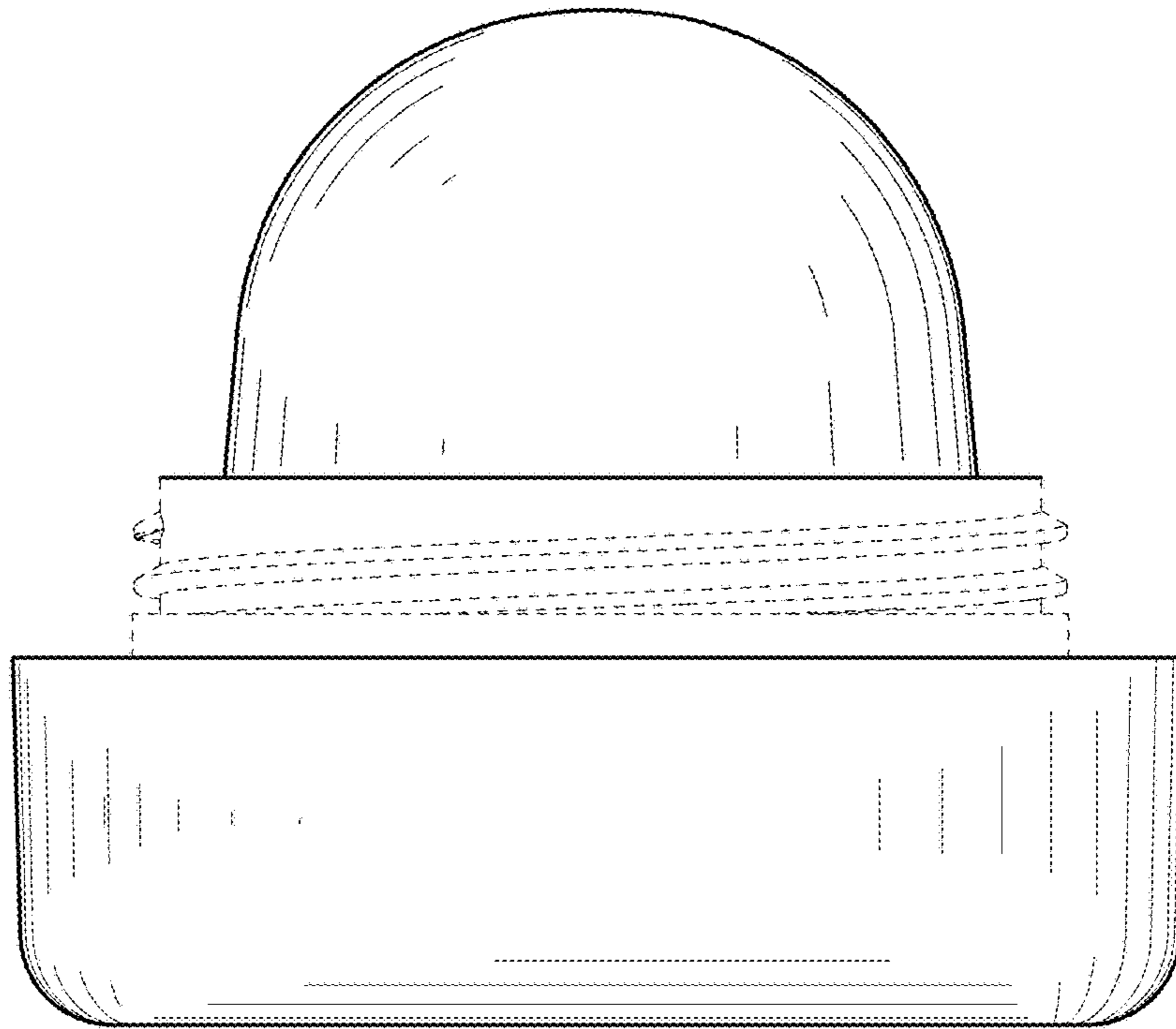


Fig. 12

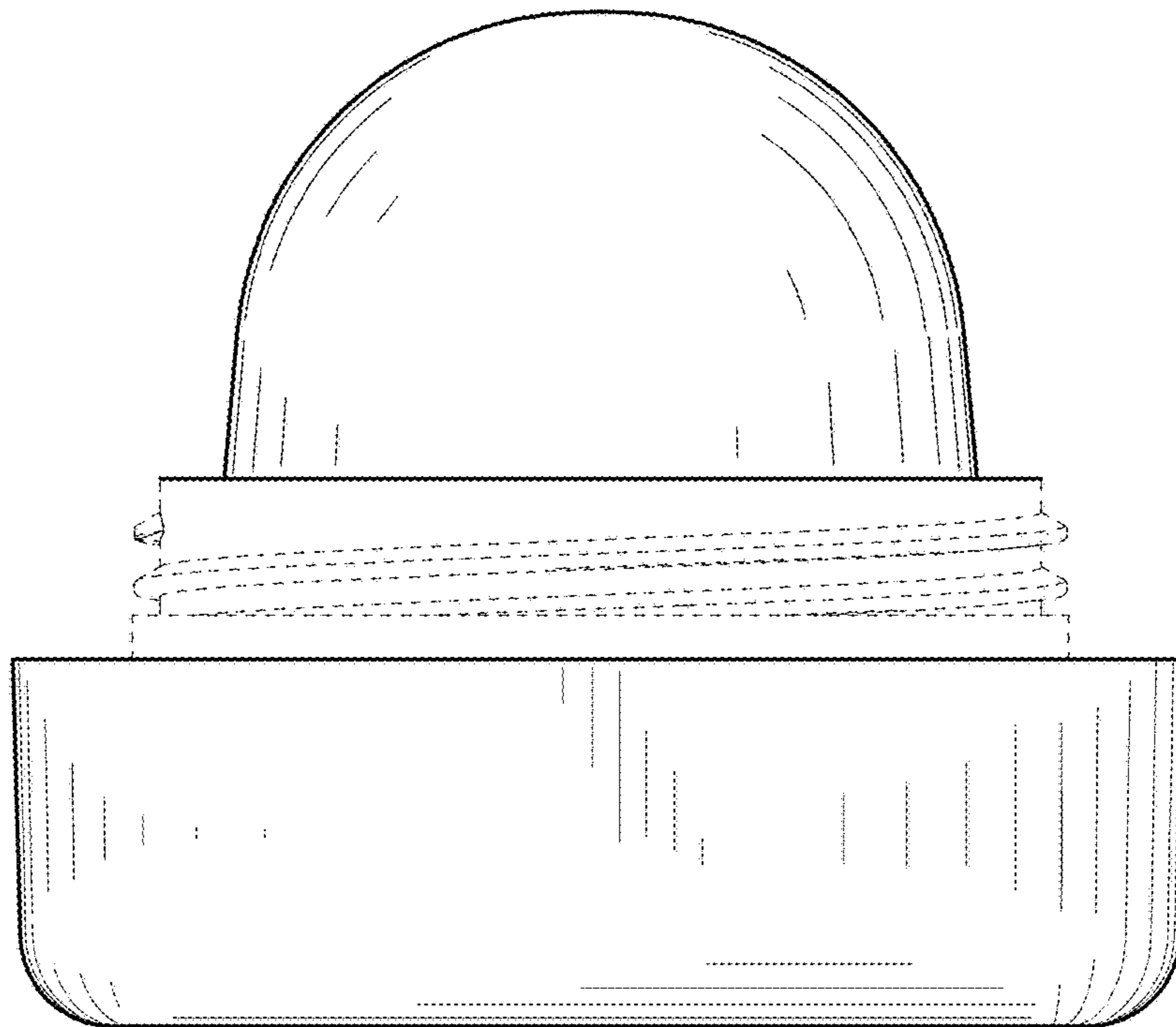


Fig. 13

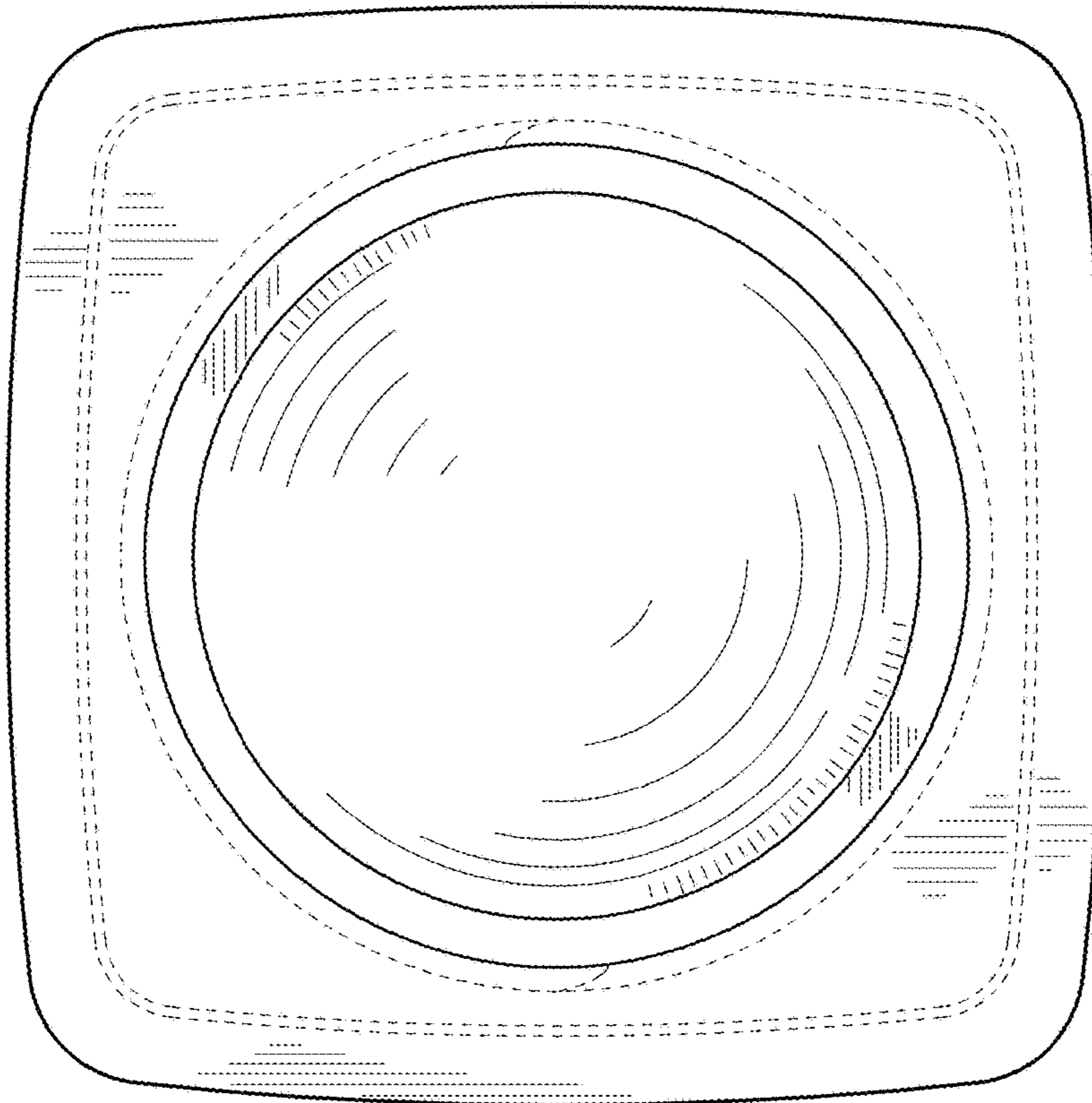


Fig. 14

