



US00D808077S

(12) **United States Design Patent** (10) **Patent No.:** **US D808,077 S**
Boulanger (45) **Date of Patent:** **** Jan. 16, 2018**

(54) **THREE HEAD DRY SHAVER**

(56) **References Cited**

(71) Applicant: **KONINKLIJKE PHILIPS N.V.**,
Eindhoven (NL)

U.S. PATENT DOCUMENTS

(72) Inventor: **Florian Jeremy Fabrice Boulanger**,
Eindhoven (NL)

D651,746	S	*	1/2012	Prat-Pfister	D28/50
D654,223	S	*	2/2012	Aulwes	D28/50
D758,014	S	*	5/2016	Smith	D28/50
D758,015	S	*	5/2016	Prat-Pfister	D28/50
D758,659	S	*	6/2016	Smith	D28/50
D776,348	S	*	1/2017	Frankel	D28/50
D777,376	S	*	1/2017	Frankel	D28/50
2016/0199987	A1	*	7/2016	Brada	B26B 19/14 30/43.6
2016/0236360	A1	*	8/2016	Veltman	B26B 19/388

(73) Assignee: **KONINKLIJKE PHILIPS N.V.**,
Eindhoven (NL)

(**) Term: **15 Years**

(21) Appl. No.: **35/501,164**

* cited by examiner

(22) Filed: **Jan. 7, 2016**

Primary Examiner — George D Kirschbaum

Assistant Examiner — Jennifer Watkins

(80) **Hague Agreement Data**

Int. Filing Date: **Jan. 7, 2016**

Int. Reg. No.: **DM/088936**

Int. Reg. Date: **Jan. 7, 2016**

Int. Reg. Pub. Date: **Jul. 8, 2016**

(57) **CLAIM**

The ornamental design for three head dry shaver, as shown and described.

(30) **Foreign Application Priority Data**

Aug. 17, 2015 (EM) 002755520-0001

(51) **LOC (11) Cl.** **28-03**

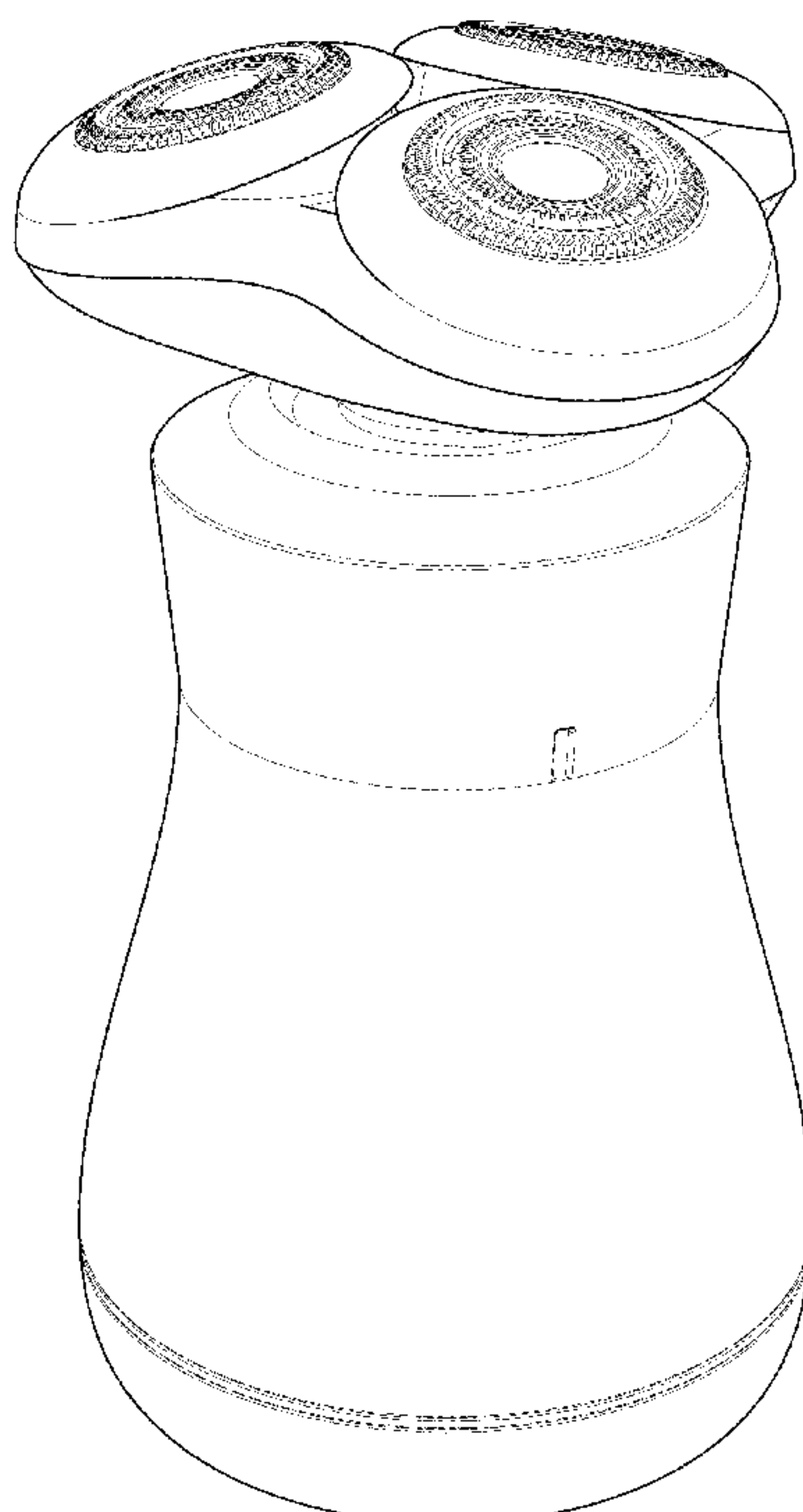
(52) **U.S. Cl.**
USPC **D28/50**

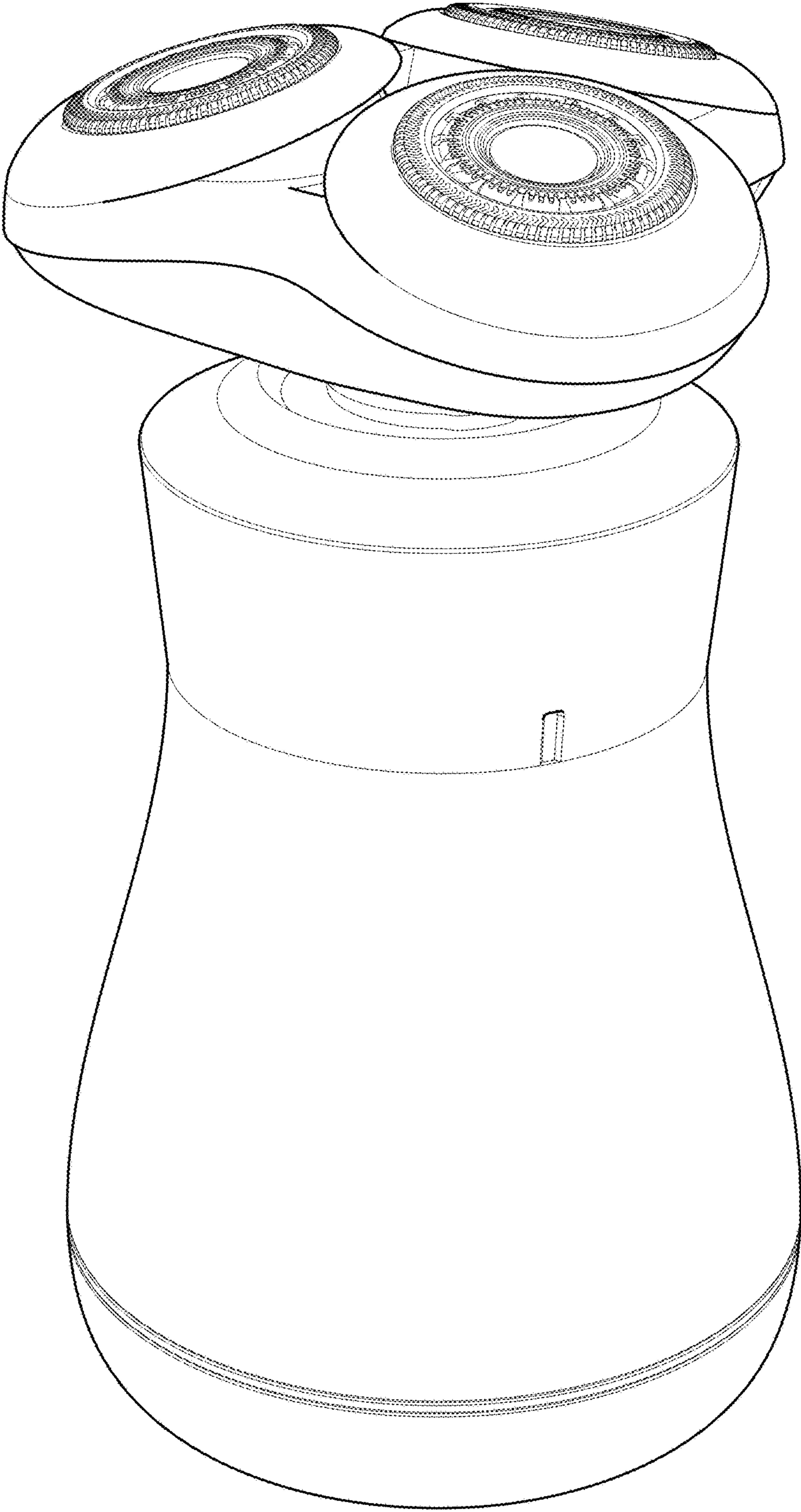
(58) **Field of Classification Search**
USPC D28/49-53
CPC B26B 19/06; B26B 19/20; B26B 19/3846;
B26B 19/28; B26B 19/3806; B26B
19/3813; B26B 19/3826; B26B 19/48
See application file for complete search history.

DESCRIPTION

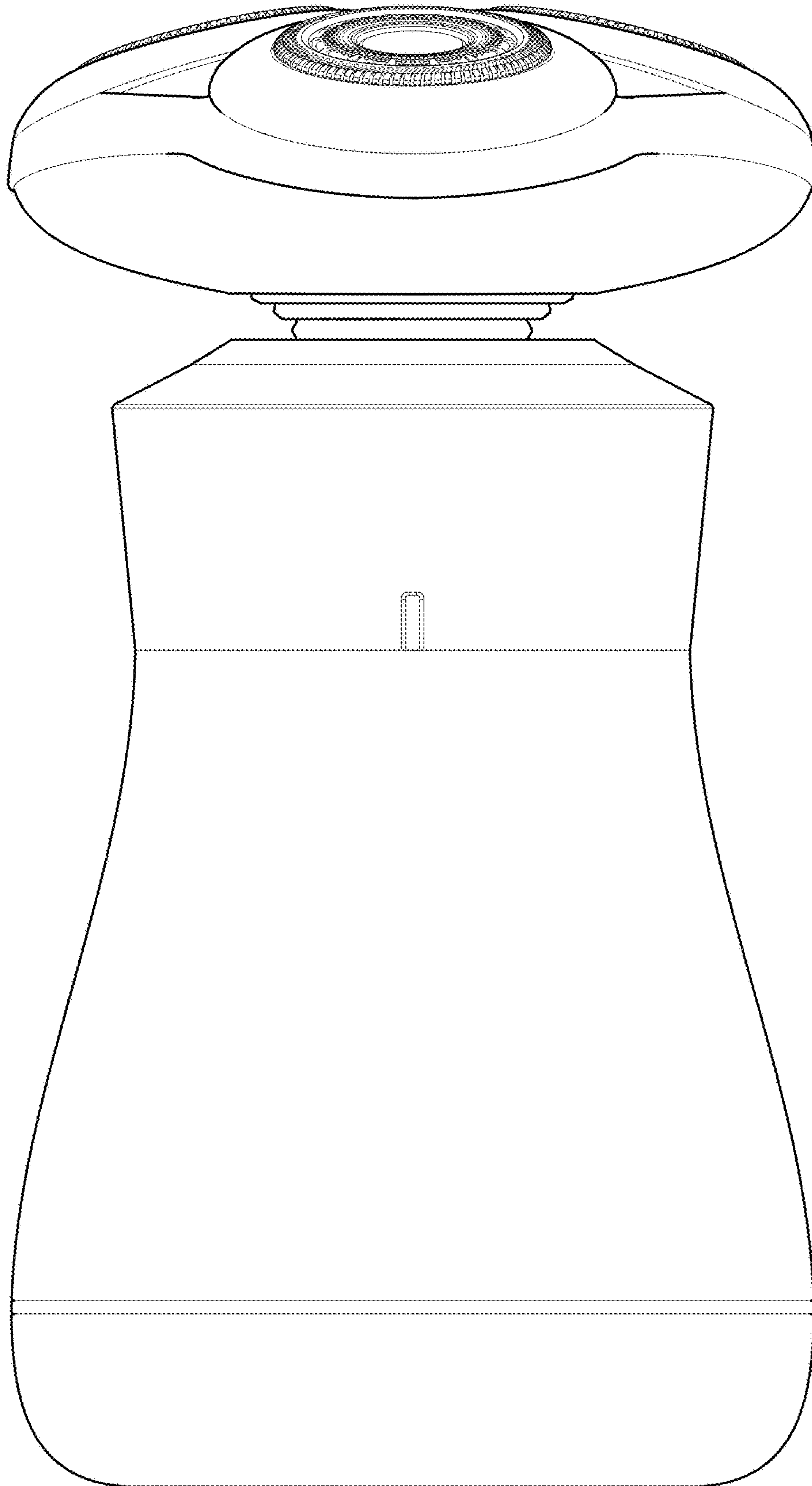
1. Three head dry shaver
- 1.1 is a perspective view showing the three head dry shaver my design;
- 1.2 is a front elevational view thereof;
- 1.3 is a rear elevational view thereof;
- 1.4 is a left side elevational view thereof;
- 1.5 is a right side elevational view thereof;
- 1.6 is a top plan view thereof; and
- 1.7 is a bottom plan view thereof.

1 Claim, 7 Drawing Sheets

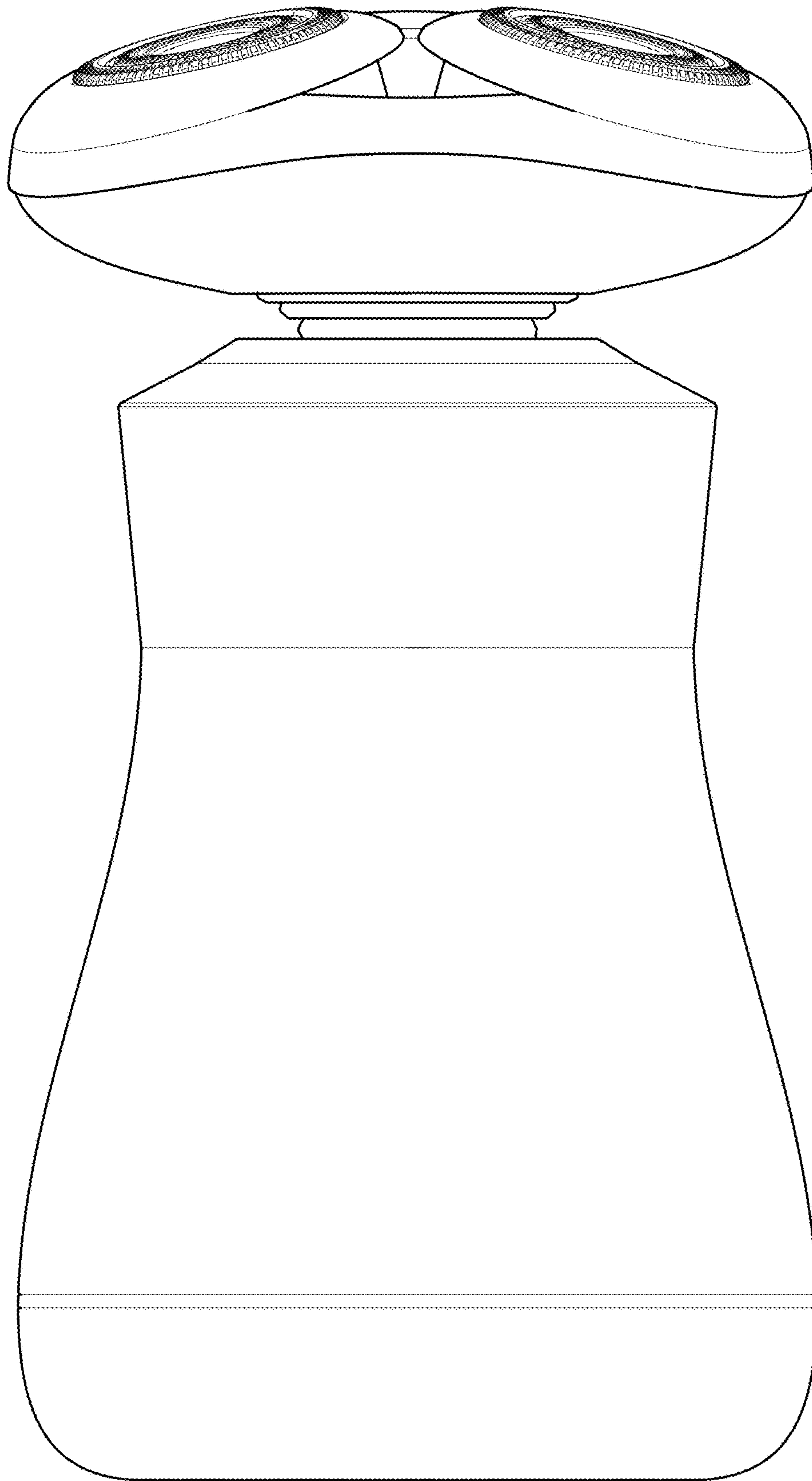




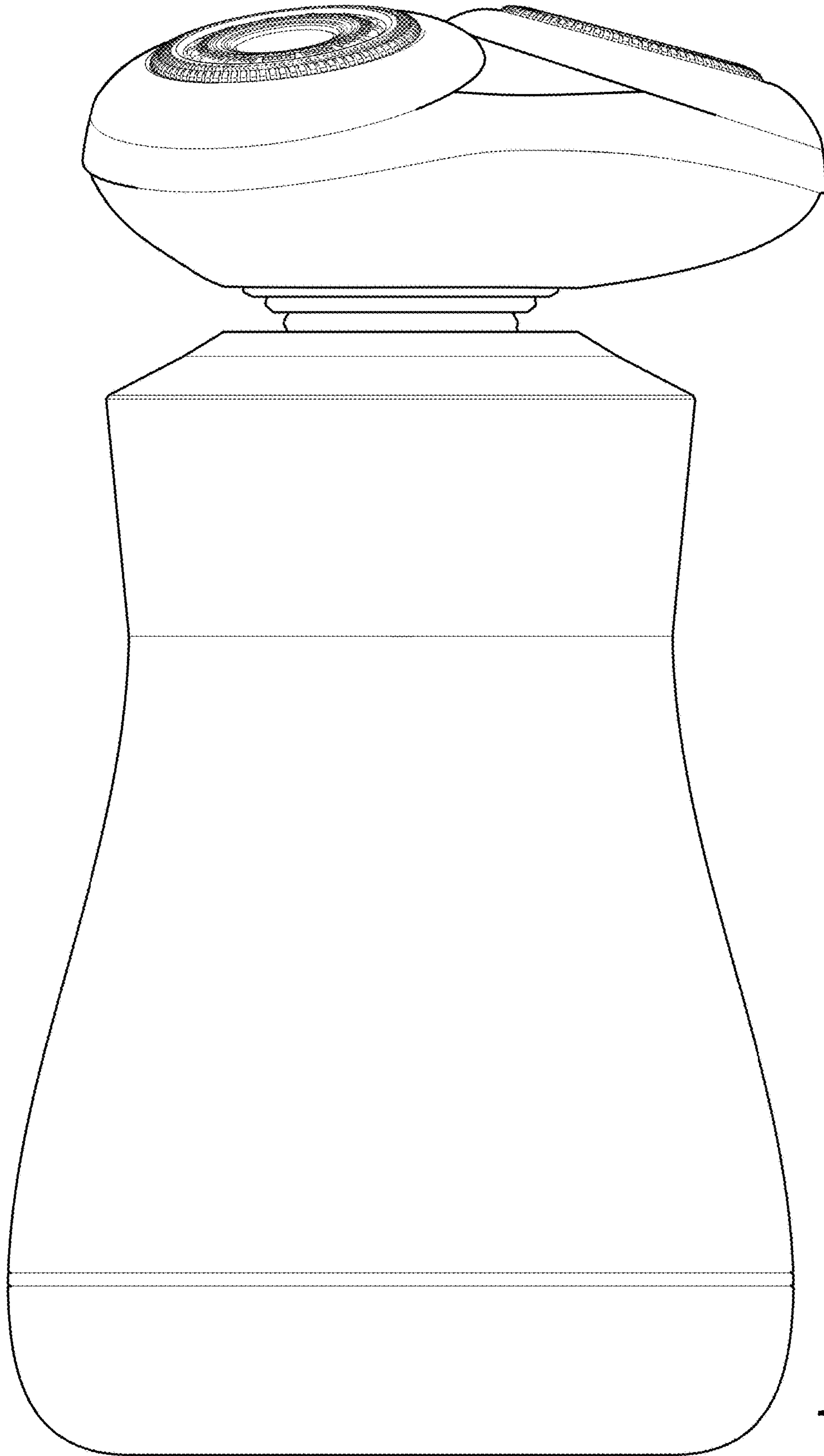
1.1



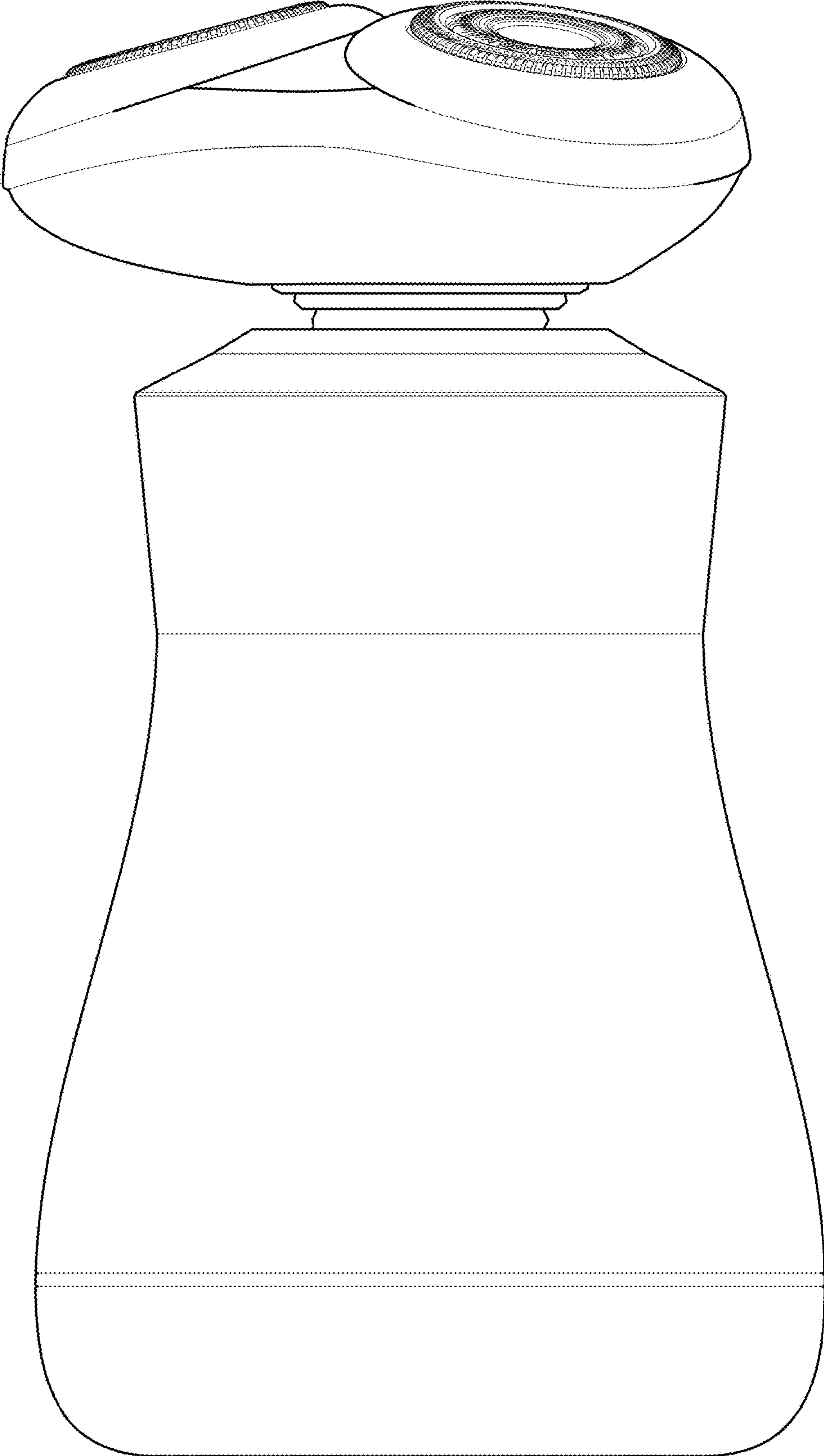
1.2



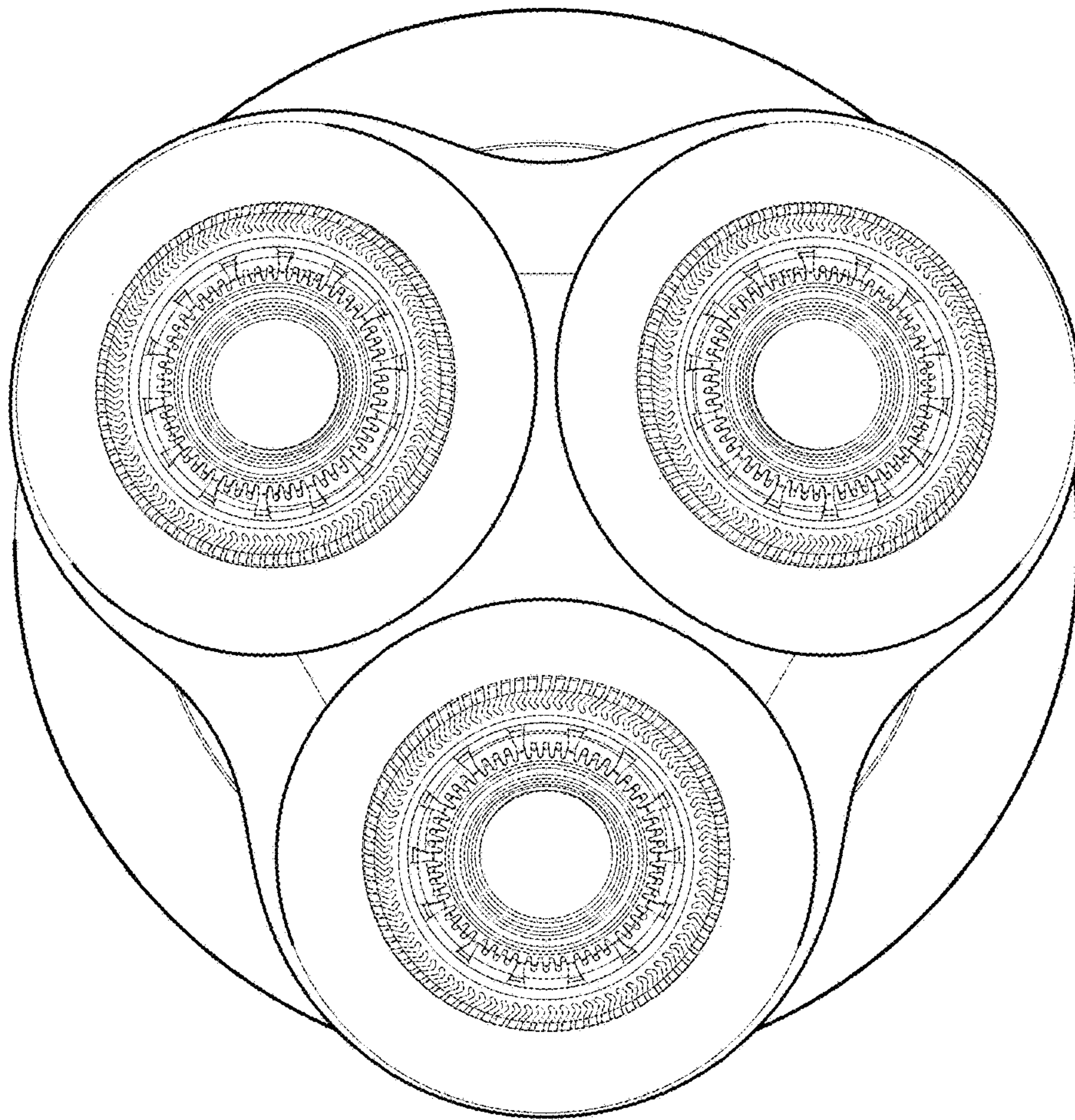
1.3



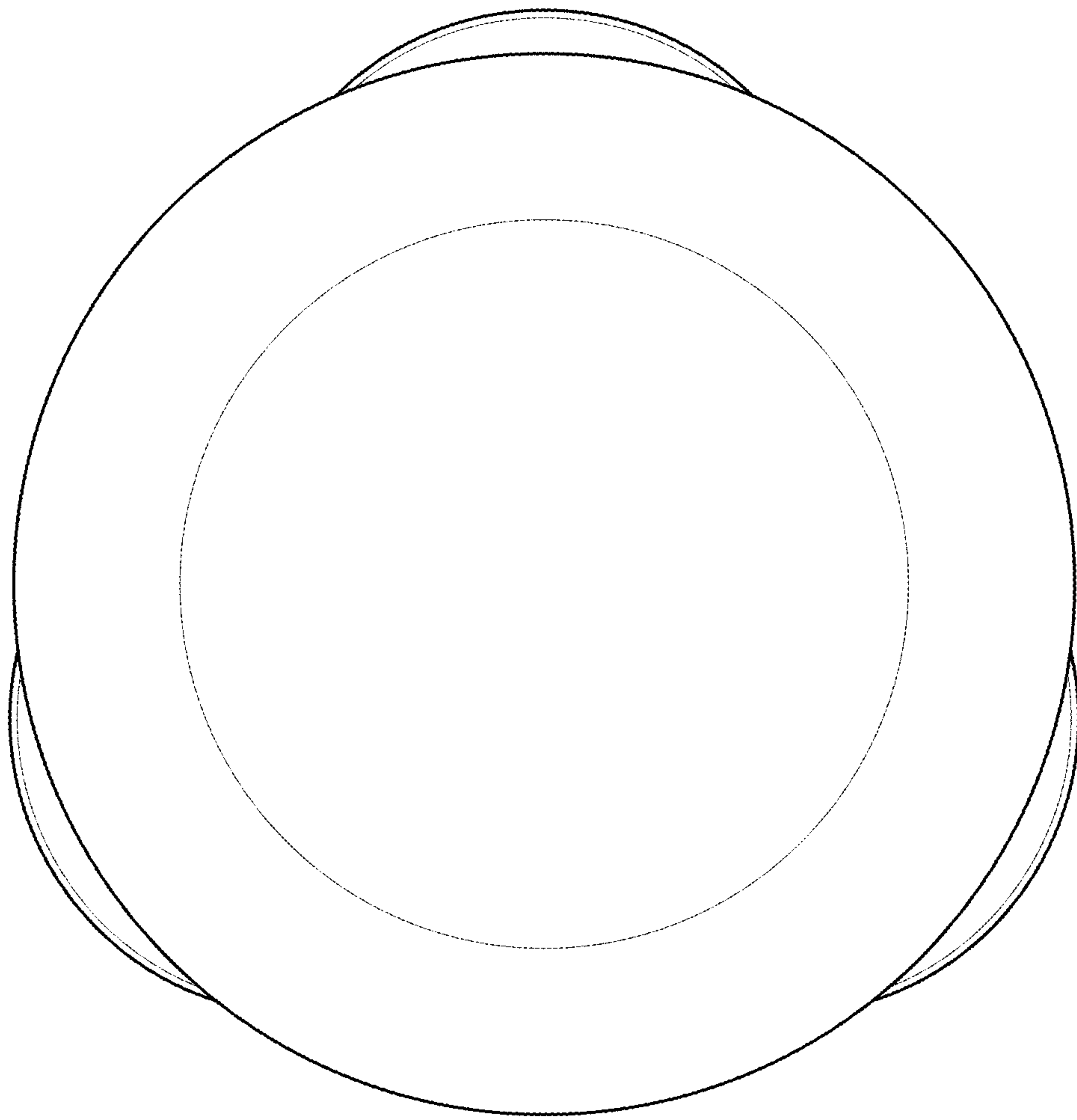
1.4



1.5



1.6



1.7