



US00D808073S

(12) **United States Design Patent**  
**Leidel**

(10) **Patent No.:** **US D808,073 S**

(45) **Date of Patent:** **\*\* Jan. 16, 2018**

- (54) **PERSONAL VAPORIZER**
- (71) Applicant: **The Hand Media, Inc.**, Miami, FL (US)
- (72) Inventor: **Brandon Leidel**, Miami, FL (US)
- (73) Assignee: **THE HAND MEDIA, INC.**, Miami, FL (US)
- (\*\*) Term: **15 Years**
- (21) Appl. No.: **29/596,362**
- (22) Filed: **Mar. 7, 2017**
- (51) **LOC (11) Cl.** ..... **27-02**
- (52) **U.S. Cl.**  
USPC ..... **D27/162**
- (58) **Field of Classification Search**  
USPC ..... D27/100, 101, 162, 163–169, 172, 175, D27/186, 189, 193, 194, 195, 136, 137, D27/138; D10/40, 49, 50; D14/191, D14/257; D23/360, 363, 366  
CPC .. A24F 47/008; A24F 5/00; A24F 7/02; A24F 3/00; A24F 47/002; A24F 15/12; A24F 15/18  
See application file for complete search history.

- 6,814,083 B2 \* 11/2004 Likness ..... A24F 47/00 131/330
- D529,227 S \* 9/2006 Smith ..... D27/143
- D537,930 S \* 3/2007 Nelson ..... D23/366
- D538,914 S \* 3/2007 Nelson ..... D23/366
- D547,440 S \* 7/2007 Louet-Feisser ..... D24/110

(Continued)

*Primary Examiner* — Robert M. Spear

*Assistant Examiner* — Marissa J Cash

(74) *Attorney, Agent, or Firm* — Frost Brown Todd LLC

(57) **CLAIM**

The ornamental design for a personal vaporizer, as shown and described.

**DESCRIPTION**

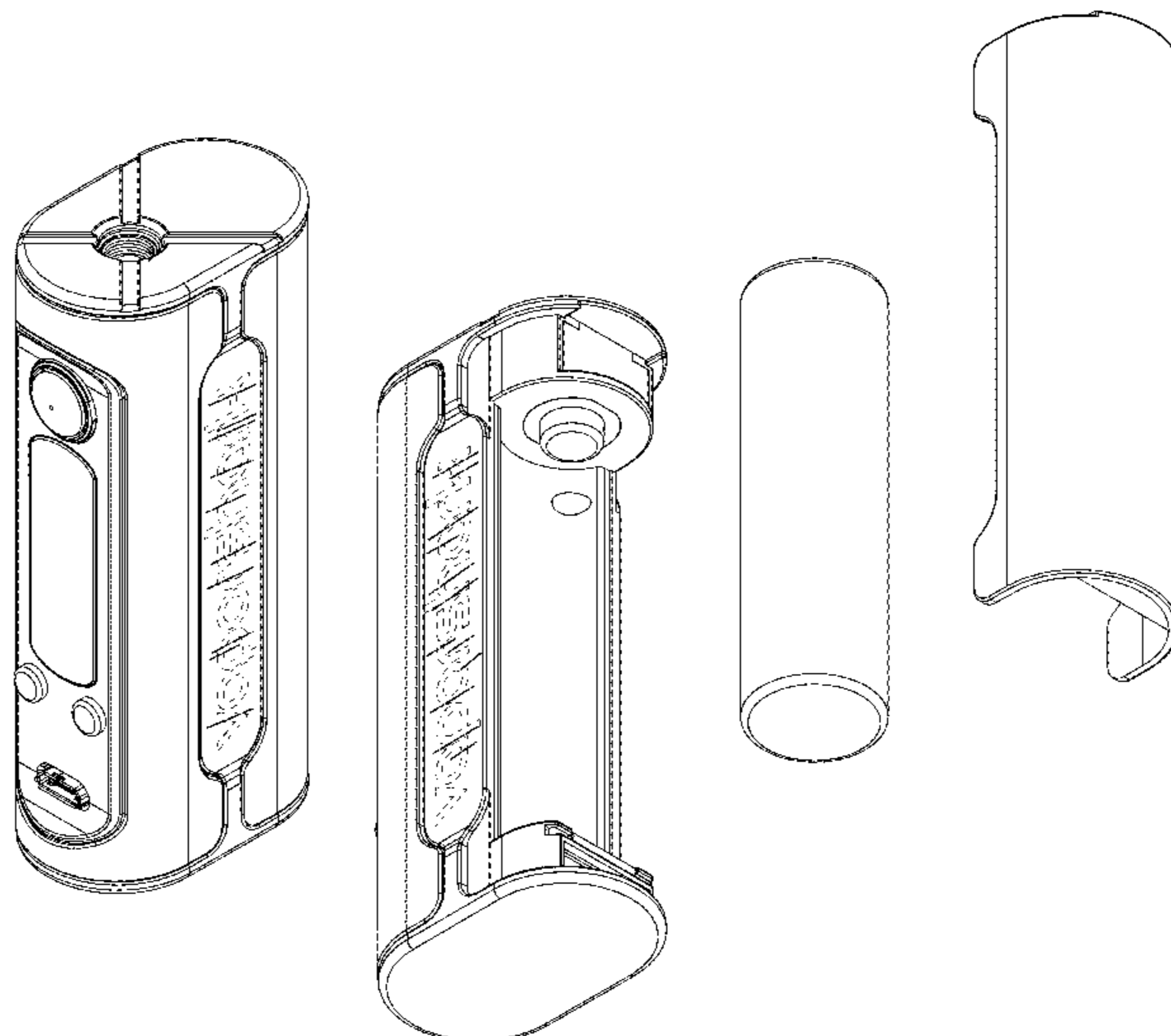
FIG. 1 shows a perspective view of a personal vaporizer. FIG. 2 shows an elevation view of the personal vaporizer. FIG. 3 shows an elevation view of the personal vaporizer. FIG. 4 shows an elevation view of the personal vaporizer. FIG. 5 shows a plan view of the personal vaporizer. FIG. 6 shows a plan view of the personal vaporizer. FIG. 7 shows a perspective view of the personal vaporizer. FIG. 8 shows a perspective view of the personal vaporizer. FIG. 9 shows a perspective view of the personal vaporizer. FIG. 10 shows an exploded elevation view of the personal vaporizer. FIG. 11 shows an exploded perspective view of the personal vaporizer. FIG. 12 shows an exploded perspective view of the personal vaporizer. FIG. 13 shows an exploded elevation view of the personal vaporizer. FIG. 14 shows an exploded perspective view of the personal vaporizer; and, FIG. 15 shows an exploded perspective view of the personal vaporizer. Broken lines in the drawings show environmental structure or boundaries that form no part of the claimed design.

(56) **References Cited**

**U.S. PATENT DOCUMENTS**

- D325,579 S \* 4/1992 Bouhuys ..... D14/191
- D346,878 S \* 5/1994 Gee
- D359,459 S \* 6/1995 Summa ..... D10/49
- D363,981 S \* 11/1995 Muderlak ..... D23/366
- D366,521 S \* 1/1996 Wijaranakula ..... D23/366
- D368,552 S \* 4/1996 Adams
- 5,934,289 A \* 8/1999 Watkins ..... A24F 47/008 128/202.21
- D421,150 S \* 2/2000 Wong ..... D27/141
- D433,532 S \* 11/2000 Higgins ..... D27/186
- D436,222 S \* 1/2001 Lim ..... D27/141

**1 Claim, 15 Drawing Sheets**



(56)

References Cited

U.S. PATENT DOCUMENTS

D577,150 S 9/2008 Bryman  
 D578,026 S \* 10/2008 Roher ..... D10/50  
 D644,725 S \* 9/2011 Kim ..... D23/366  
 D647,247 S 10/2011 Jones  
 D649,708 S 11/2011 Oneil  
 D654,160 S \* 2/2012 Yomtov ..... D23/360  
 D664,636 S \* 7/2012 Robinson ..... D23/360  
 D690,002 S 9/2013 Storey  
 D695,391 S \* 12/2013 Takemoto ..... D24/113  
 D708,727 S \* 7/2014 Postma ..... D23/360  
 D715,165 S \* 10/2014 Deligiannis ..... D10/50  
 D717,488 S \* 11/2014 Martin ..... D27/141  
 D724,263 S 3/2015 Malhi  
 D728,855 S 5/2015 Liu  
 D729,444 S 5/2015 Leidel  
 D729,445 S \* 5/2015 Leidel ..... D27/163  
 D730,572 S 5/2015 Leidel  
 D731,114 S \* 6/2015 Leidel ..... D27/163  
 D733,356 S 6/2015 Leidel  
 D742,062 S \* 10/2015 Almsberger ..... D27/143  
 D743,099 S 11/2015 Oglesby  
 D745,213 S \* 12/2015 Alima ..... D27/143

D748,325 S 1/2016 Leidel  
 D756,032 S \* 5/2016 Chen ..... D27/189  
 D758,004 S \* 5/2016 Freshwater ..... D27/163  
 D758,656 S 6/2016 Freshwater  
 D769,520 S \* 10/2016 Hua ..... D27/167  
 D770,678 S \* 11/2016 Shin ..... D27/163  
 D771,867 S \* 11/2016 Leidel ..... D27/163  
 D772,477 S \* 11/2016 Shin ..... D27/163  
 D773,114 S 11/2016 Leidel  
 D773,116 S \* 11/2016 Liu ..... D27/167  
 D785,862 S \* 5/2017 Wu ..... D27/167  
 2010/0313901 A1 \* 12/2010 Fernando ..... A24F 47/008  
 131/330  
 2012/0255546 A1 \* 10/2012 Goetz ..... A61M 11/041  
 128/202.21  
 2014/0014125 A1 \* 1/2014 Fernando ..... A24F 47/008  
 131/328  
 2014/0196732 A1 \* 7/2014 Liu ..... A24F 47/008  
 131/329  
 2014/0217085 A1 \* 8/2014 Alima ..... F23Q 7/16  
 219/474  
 2014/0283824 A1 \* 9/2014 Wheelock ..... A61M 11/041  
 128/202.21

\* cited by examiner

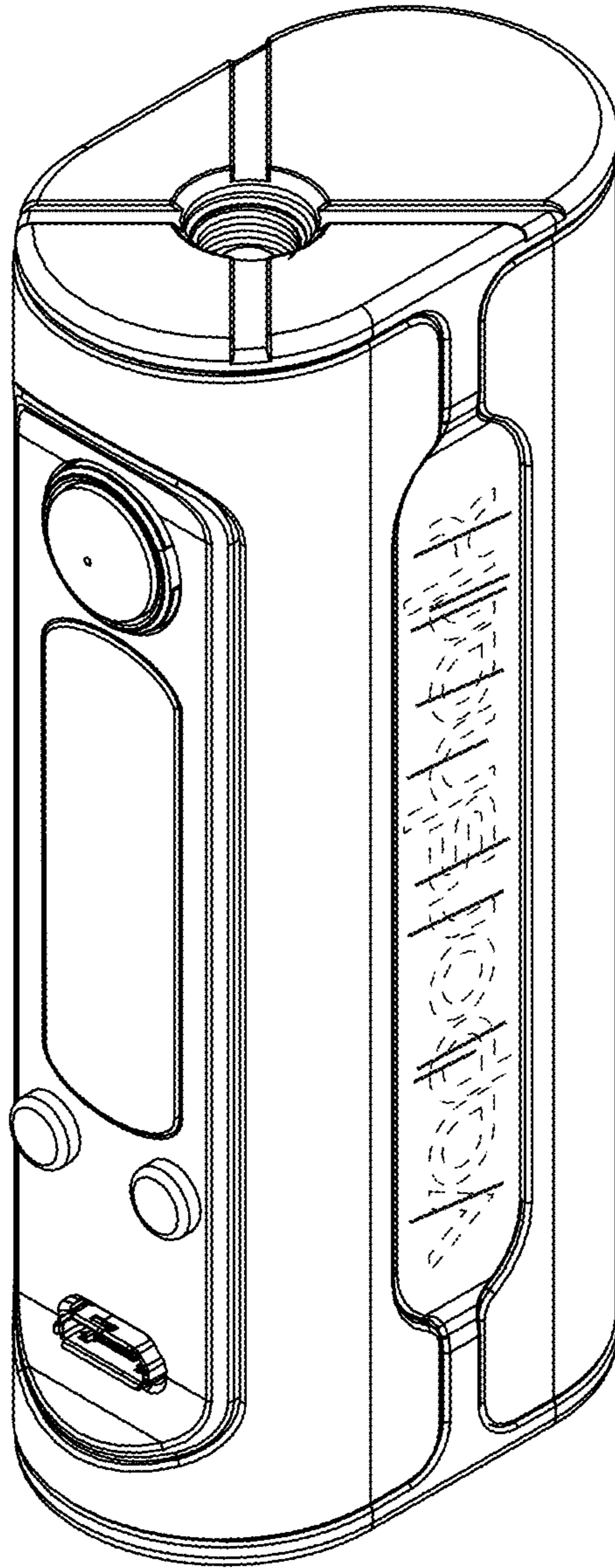


Figure 1

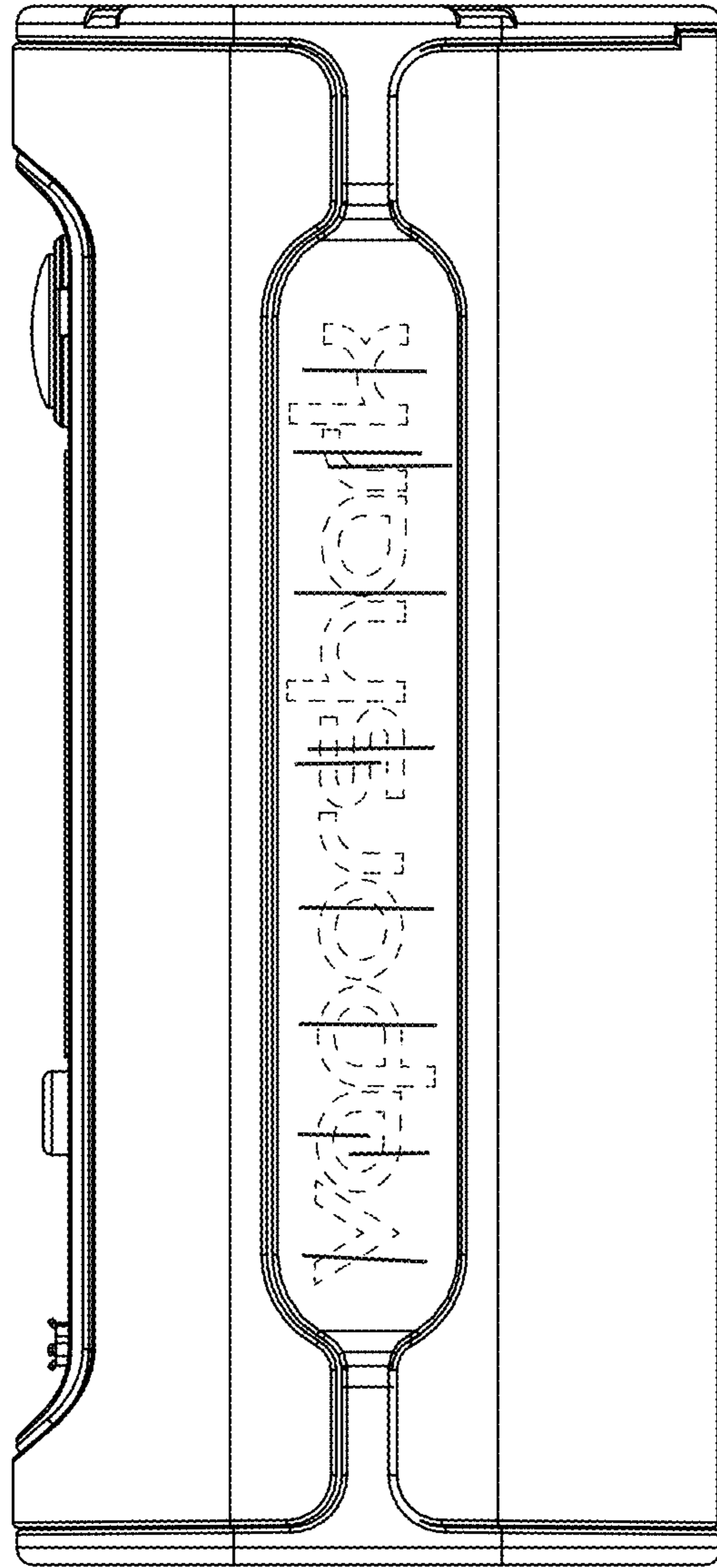


Figure 2



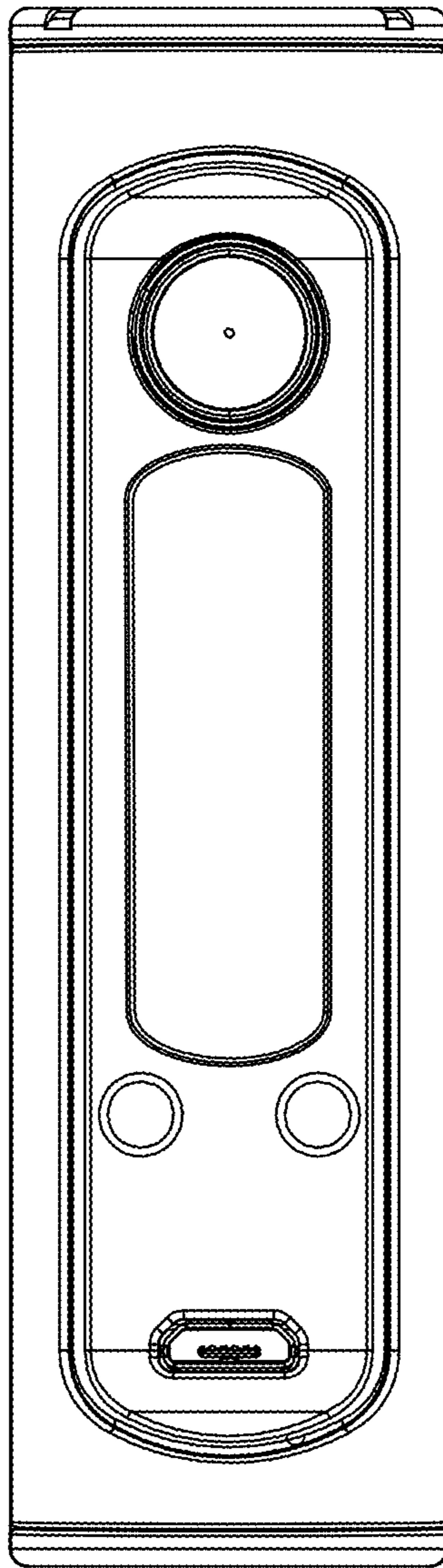


Figure 3

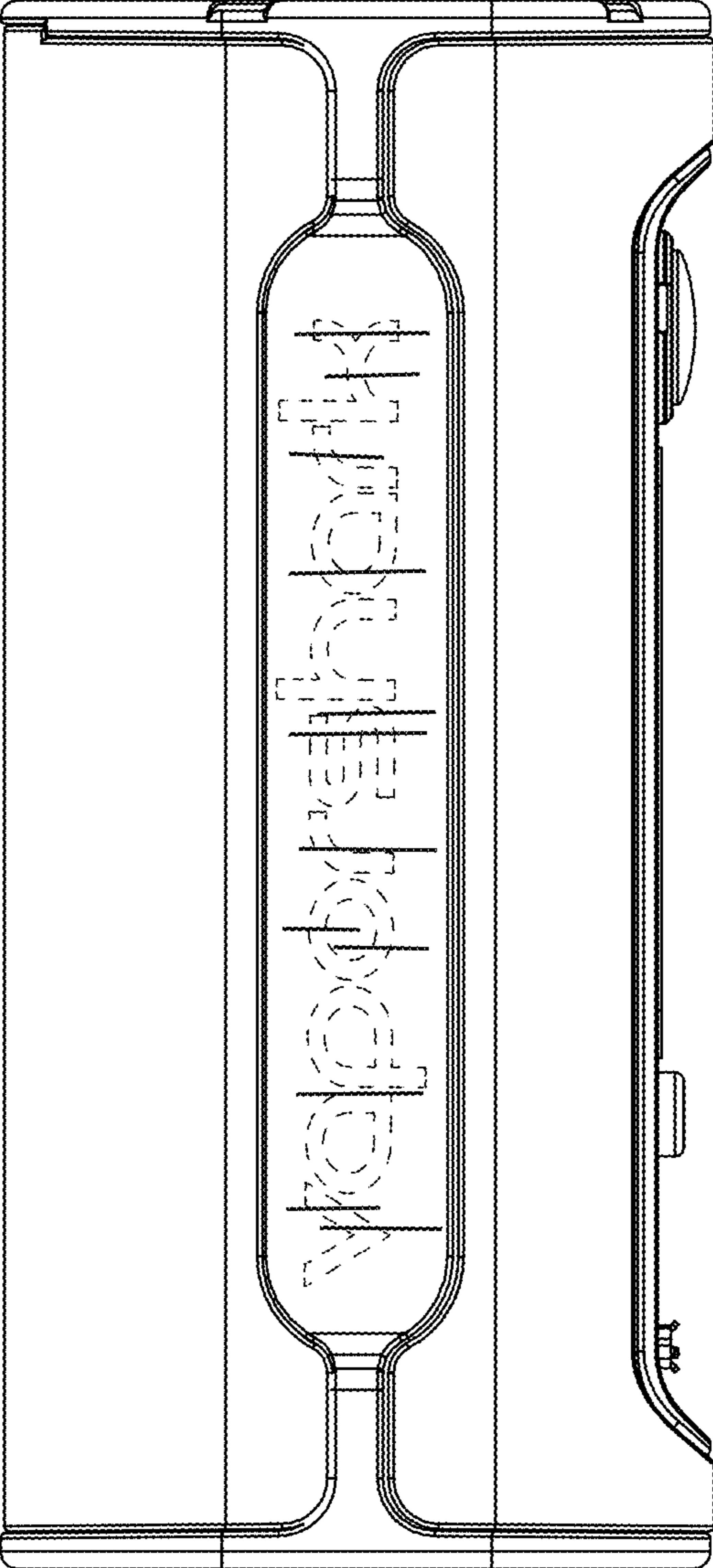


Figure 4

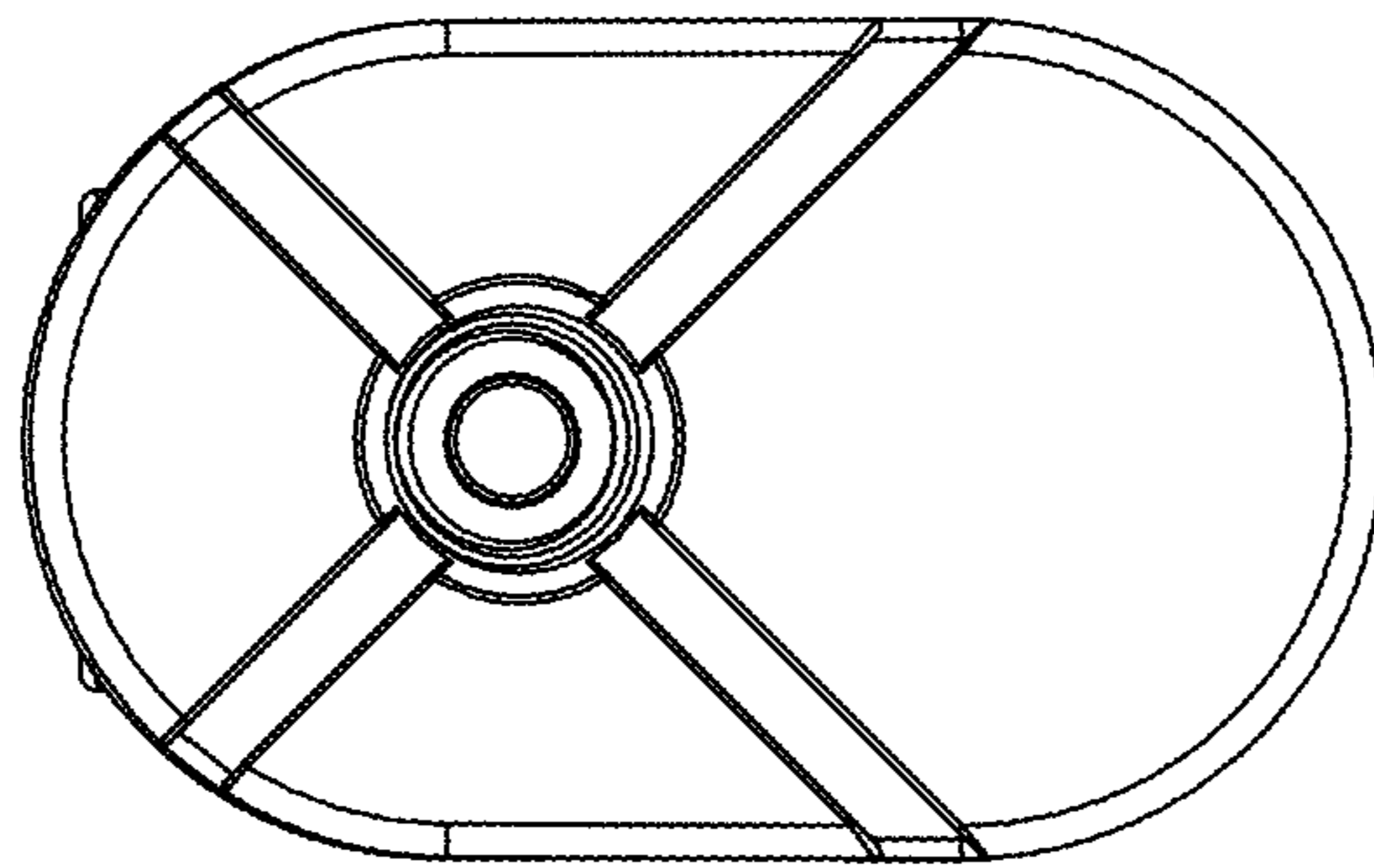


Figure 5

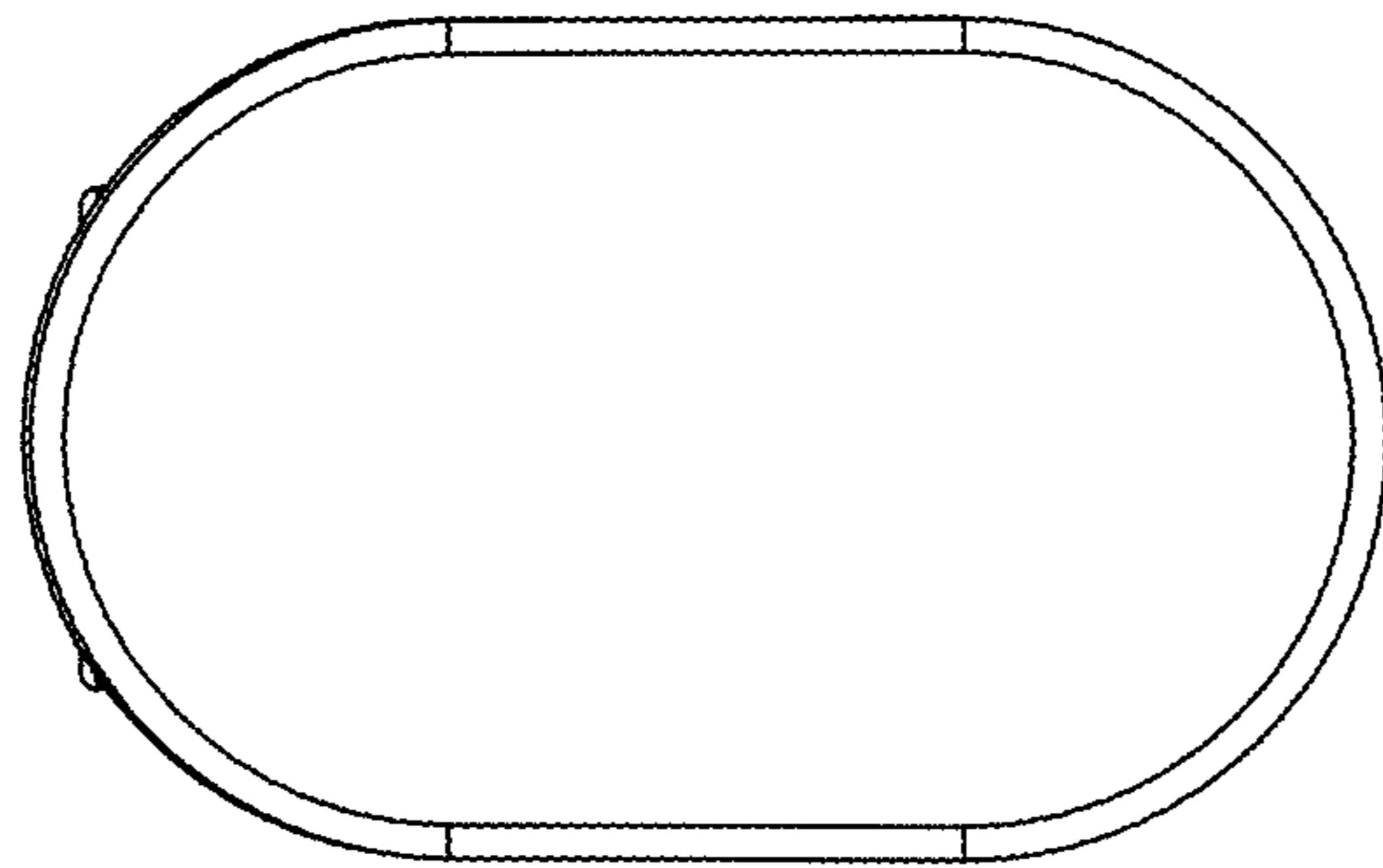


Figure 6



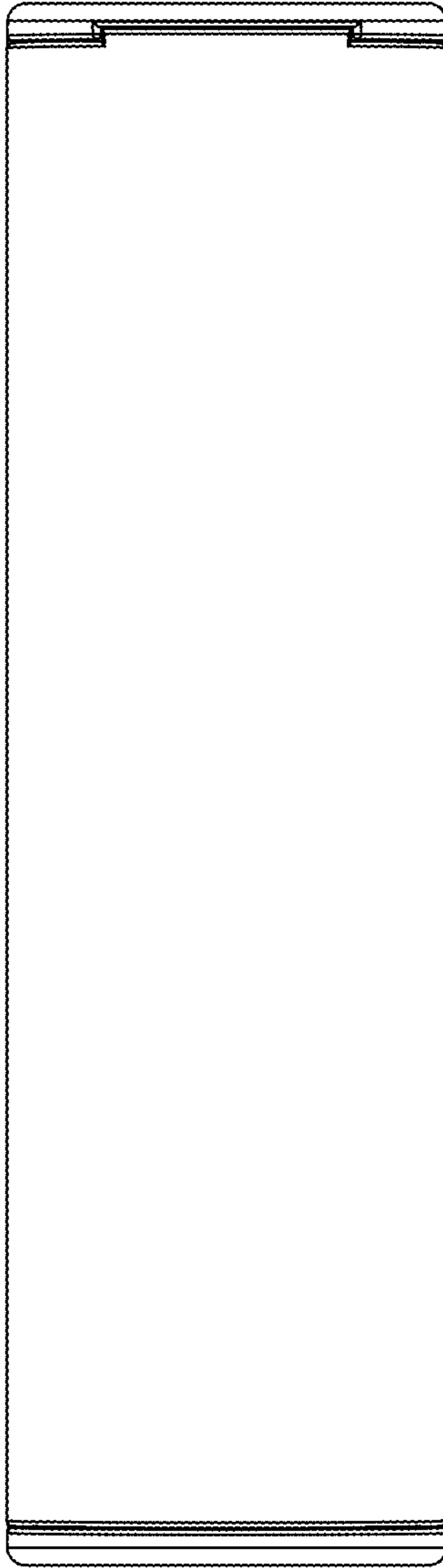


Figure 7

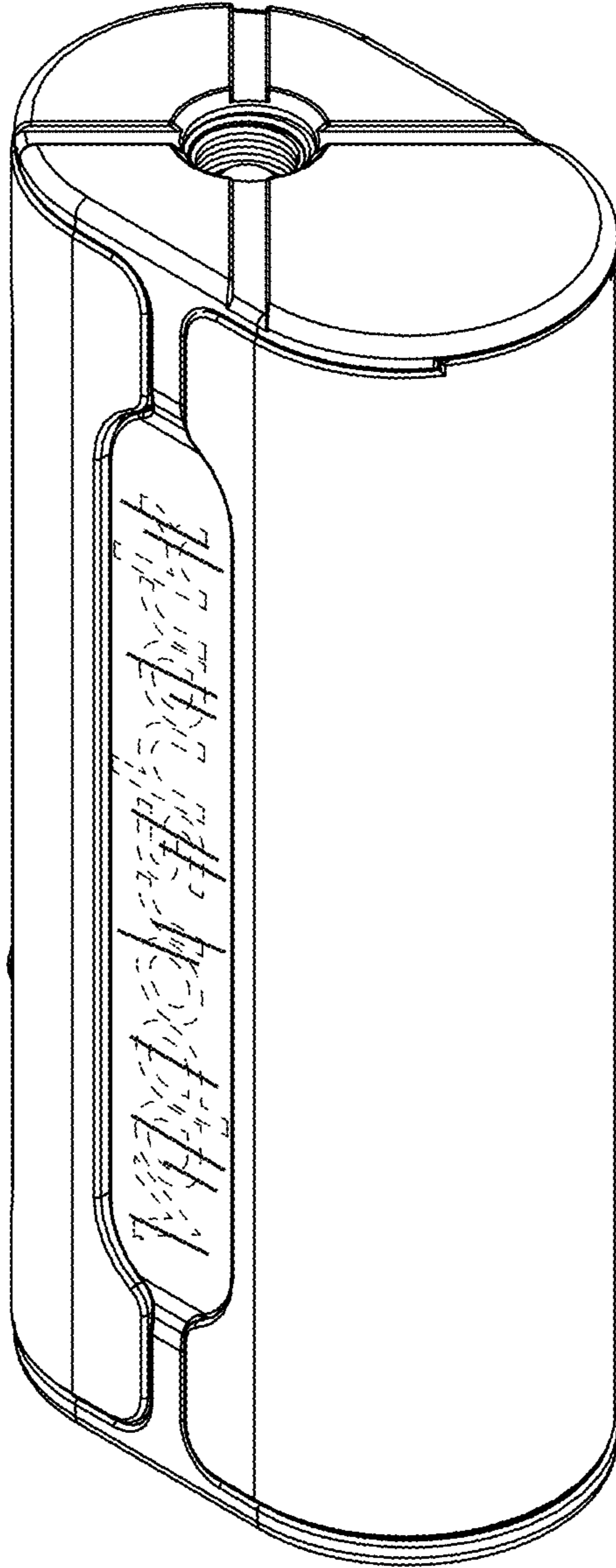


Figure 8

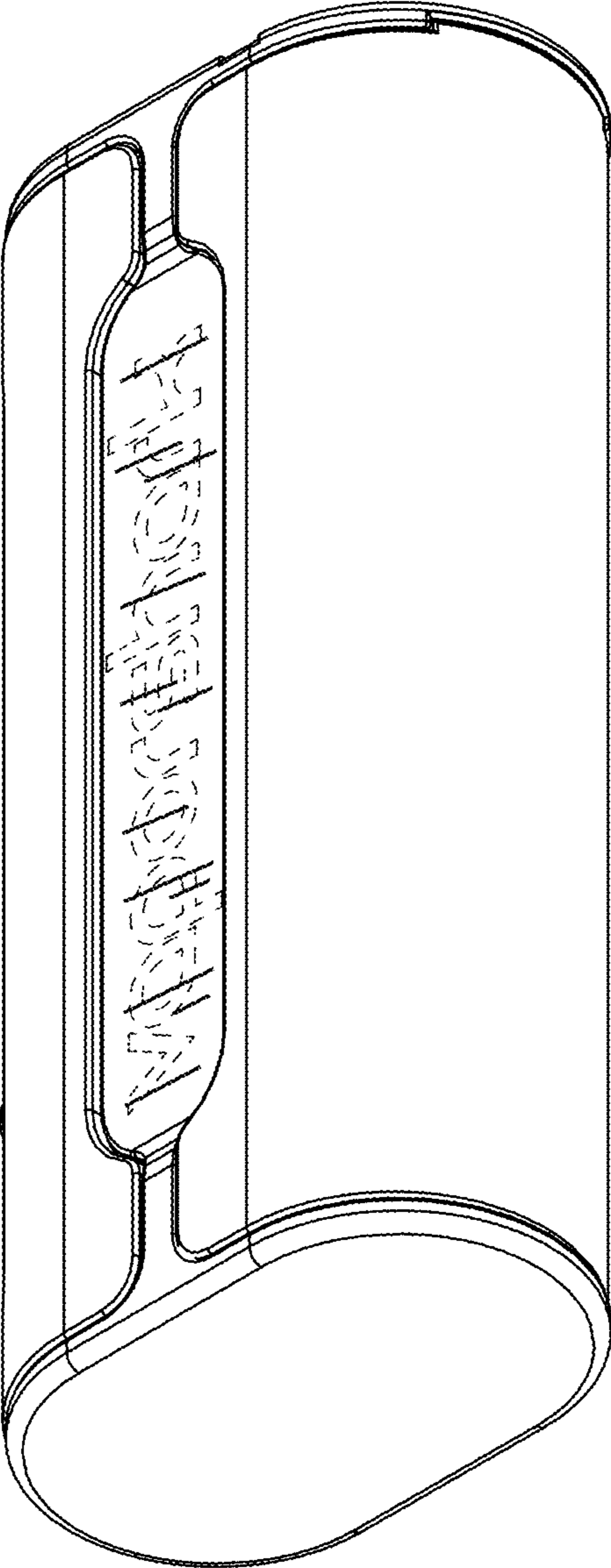


Figure 9

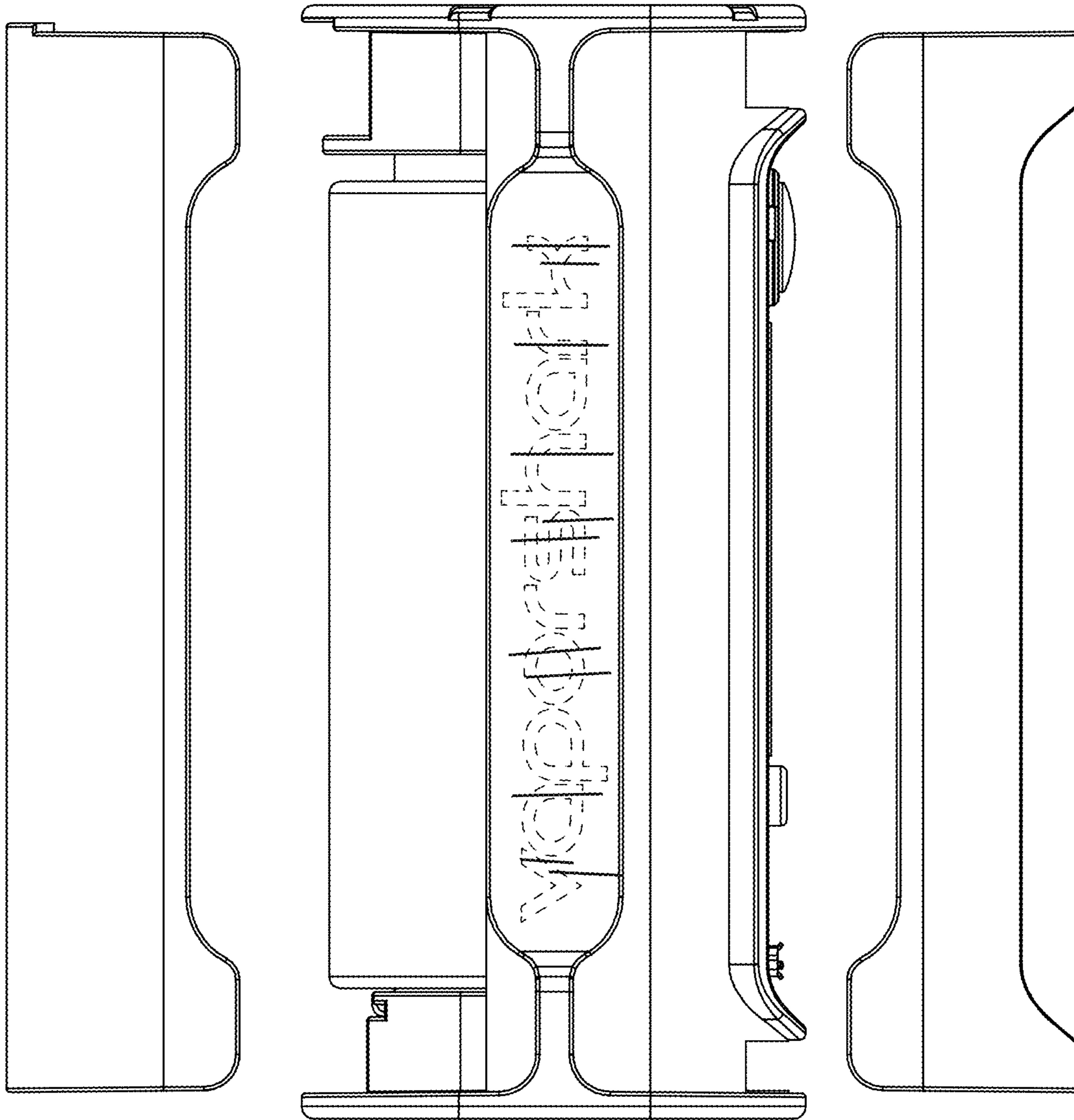


Figure 10

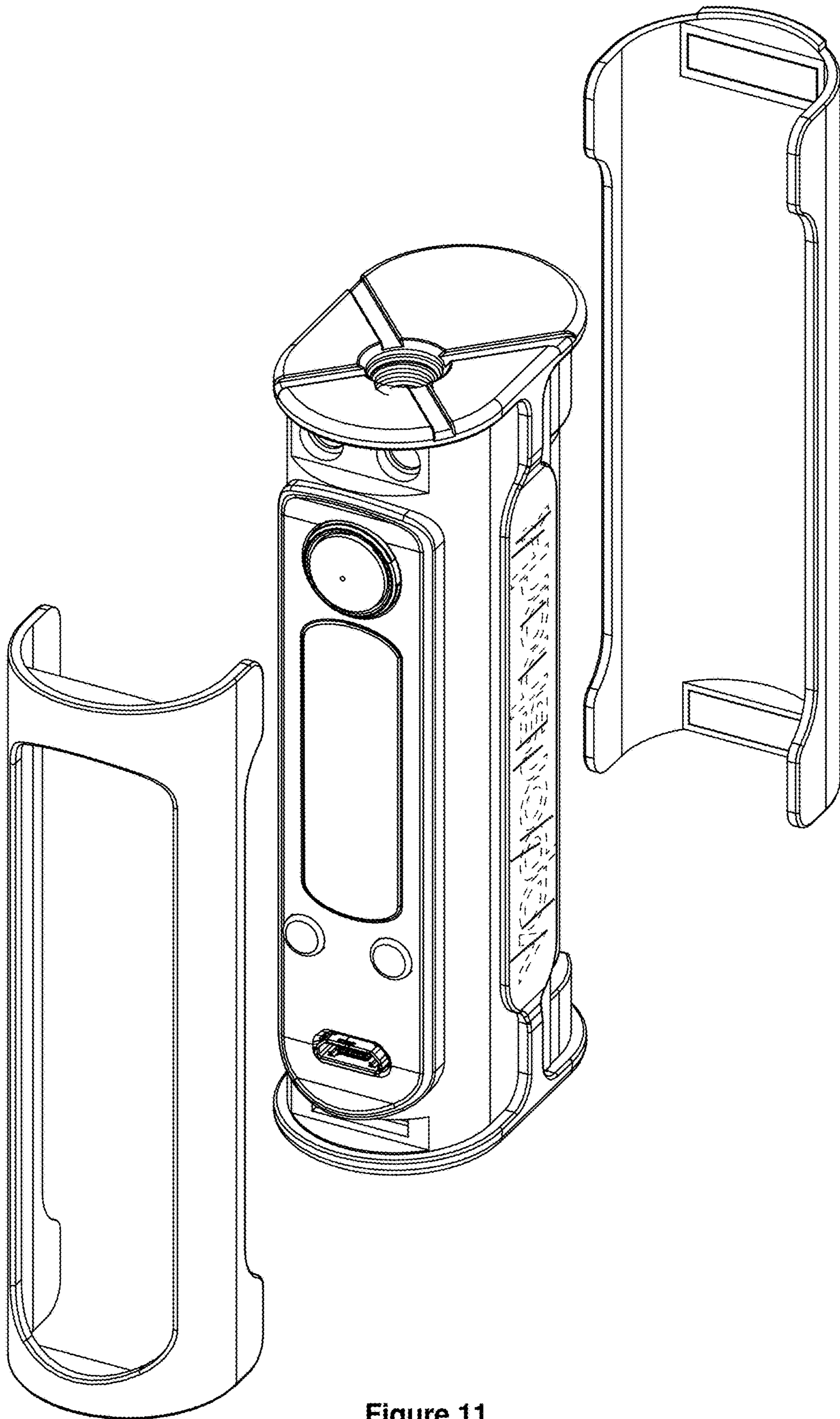


Figure 11



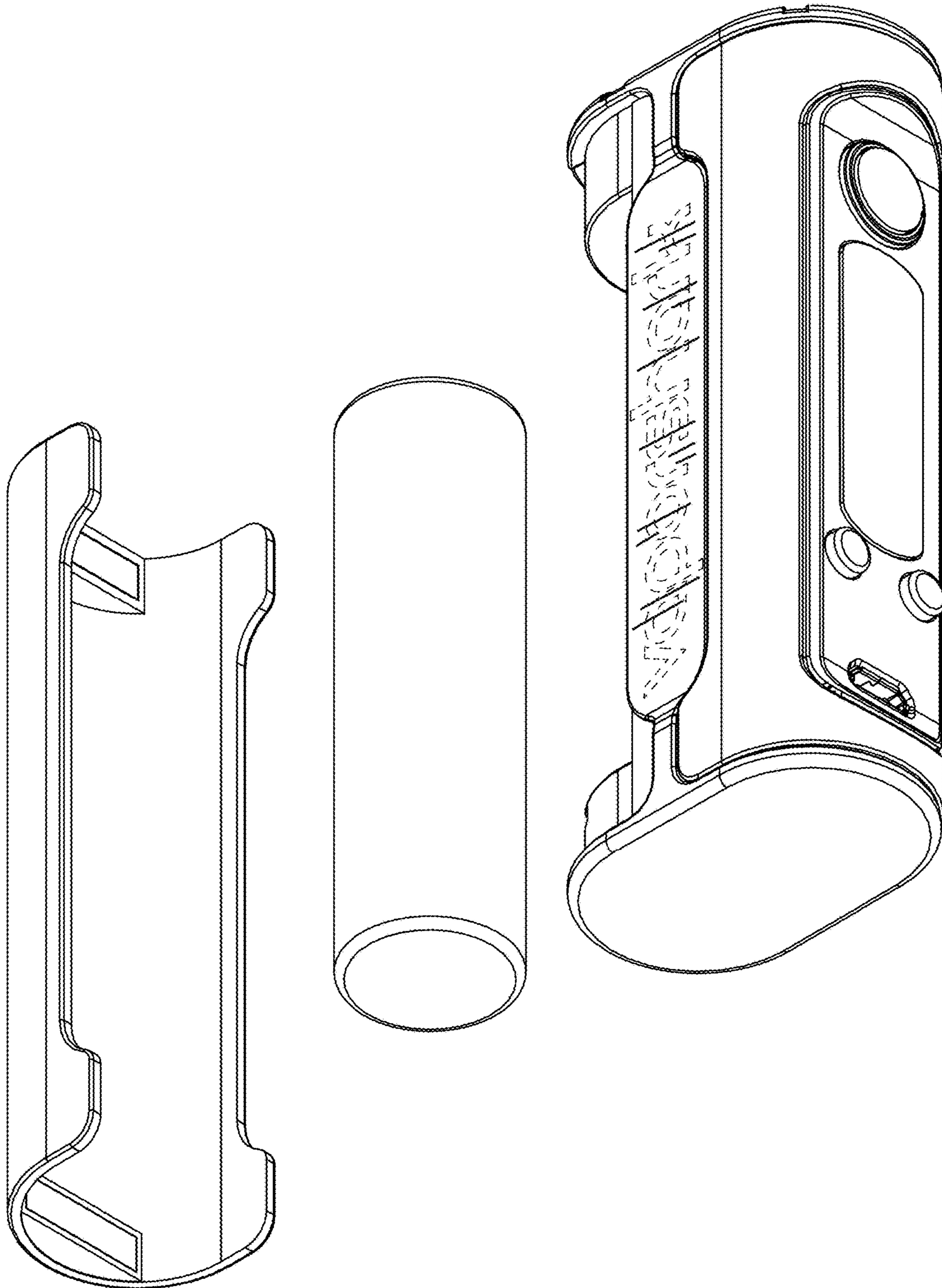


Figure 12



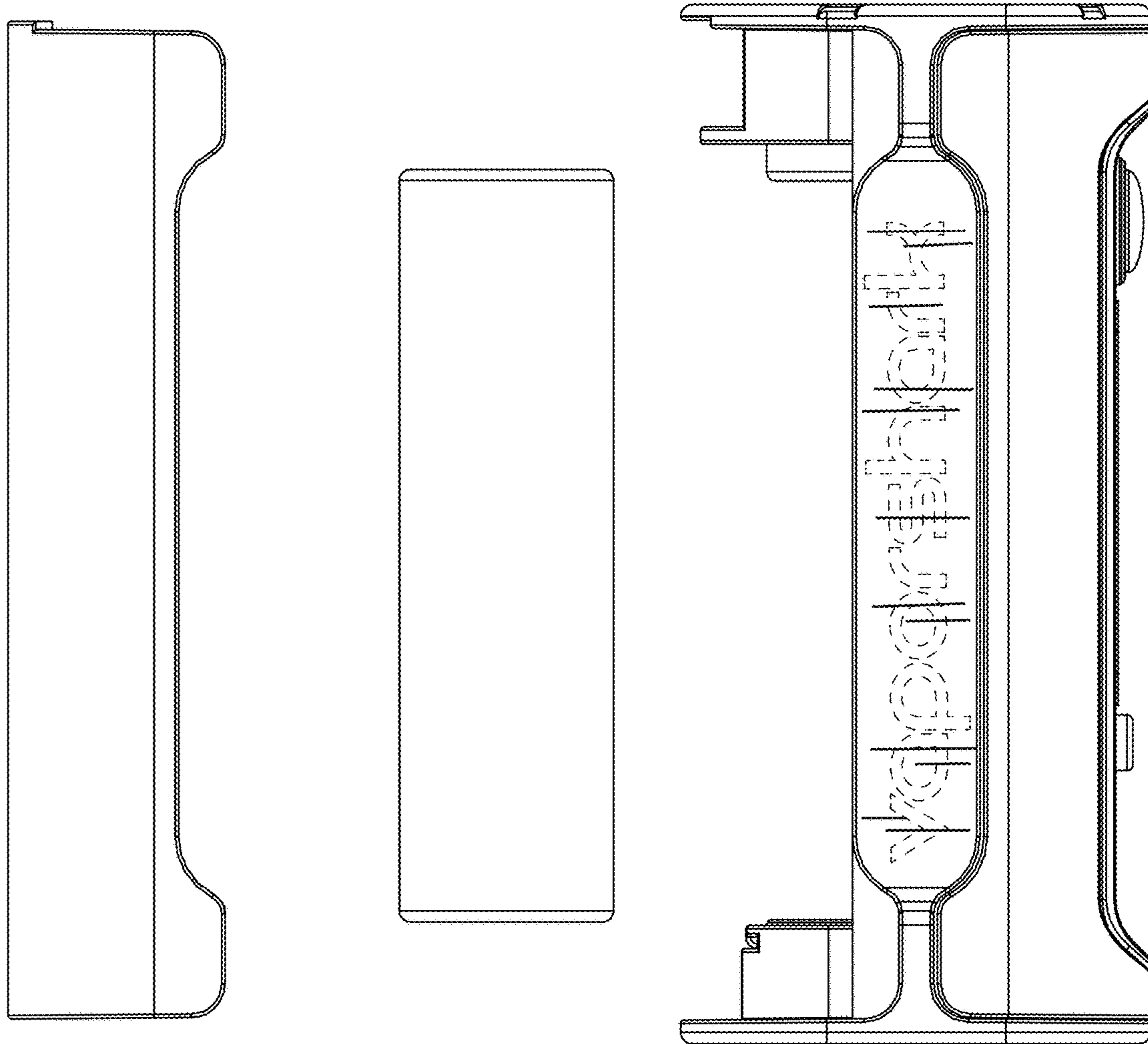


Figure 13

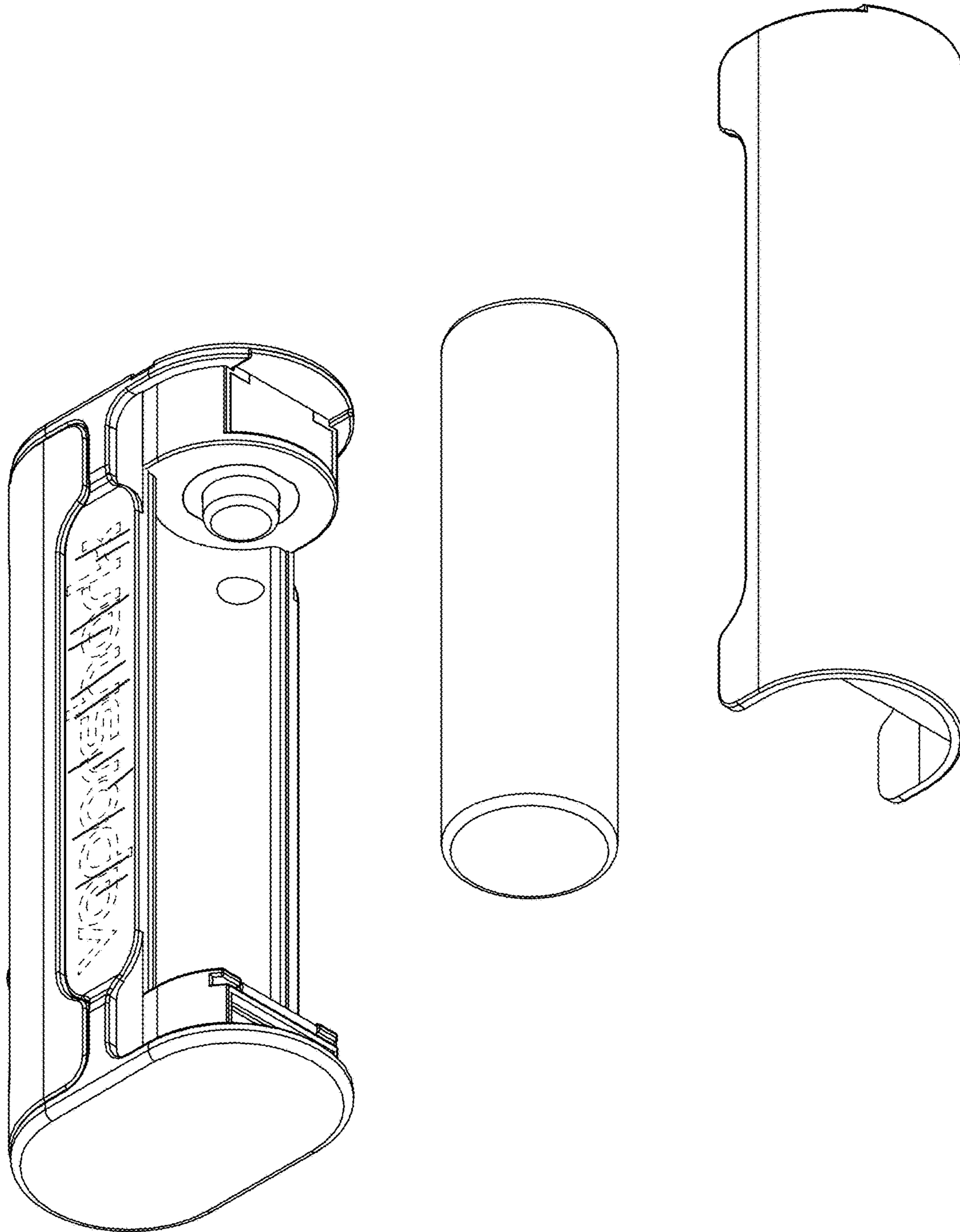


Figure 14

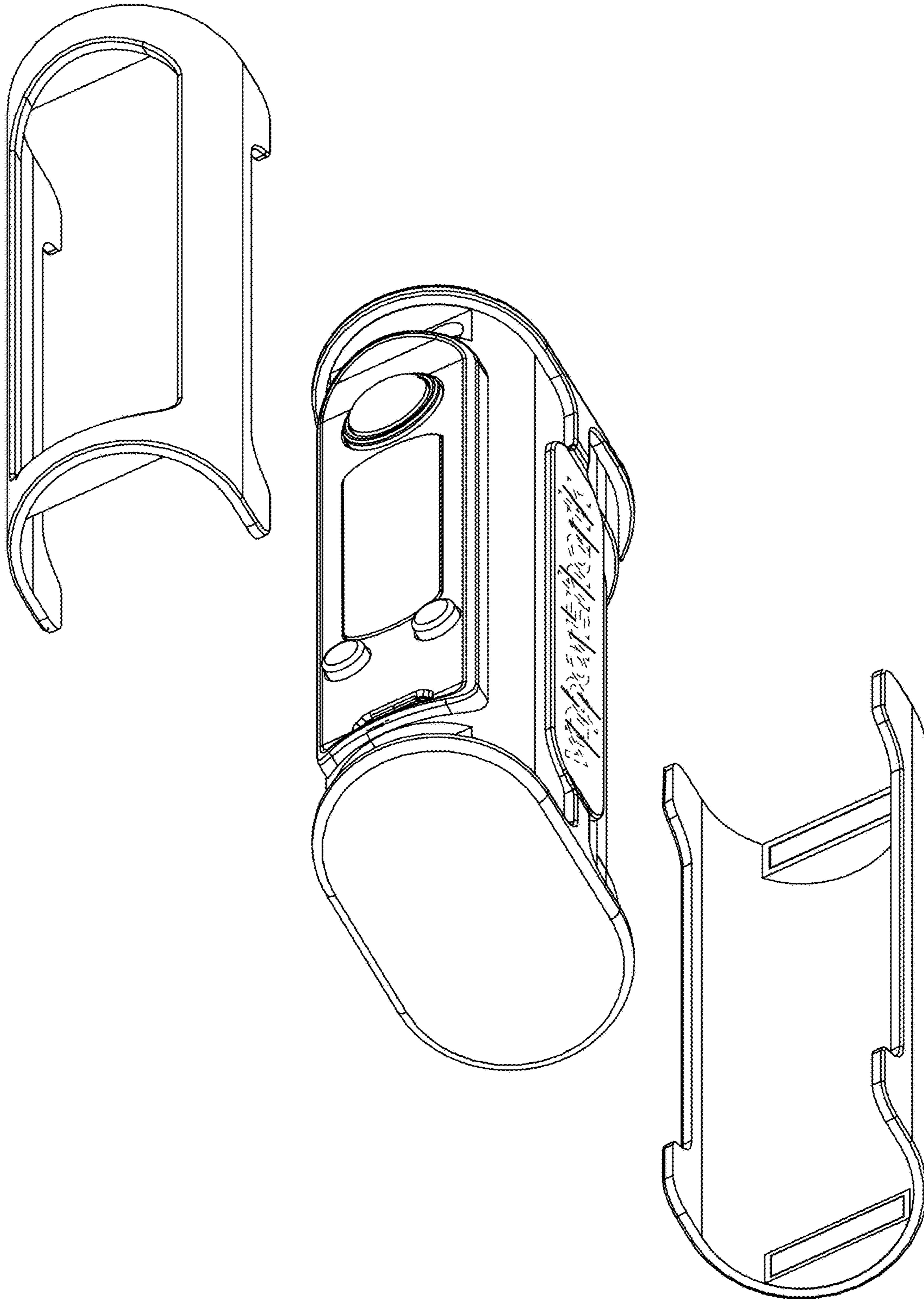


Figure 15