



US00D808072S

(12) **United States Design Patent**  
**Ren**

(10) **Patent No.:** **US D808,072 S**  
(45) **Date of Patent:** **\*\* Jan. 16, 2018**

- (54) **ELECTRONIC VAPORIZER**
- (71) Applicant: **VGO LLC**, Los Angeles, CA (US)
- (72) Inventor: **Qiuming Ren**, Los Angeles, CA (US)
- (73) Assignee: **VGO LLC**, Tustin, CA (US)
- (\*\*) Term: **15 Years**
- (21) Appl. No.: **29/581,822**
- (22) Filed: **Oct. 21, 2016**
- (51) **LOC (11) Cl.** ..... **27-02**
- (52) **U.S. Cl.**  
USPC ..... **D27/162**
- (58) **Field of Classification Search**  
USPC ..... D24/108, 110, 110.5, 113; D27/100,  
D27/101, 162-171, 194; D19/168, 169,  
D19/170  
CPC ..... A24F 1/00; A24F 1/02; A24F 1/04; A24F  
1/06; A24F 1/08; A24F 1/10; A24F 1/12;  
A24F 1/14; A24F 1/26; A24F 1/28; A24F  
7/00; A24F 7/02; A24F 7/04  
See application file for complete search history.

D628,636 S *	12/2010	Wang	.....	D19/169
D710,992 S *	8/2014	Dubuc	.....	D24/113
D725,822 S *	3/2015	Liu	.....	D27/101
D764,098 S *	8/2016	Liu	.....	D27/101
D785,859 S *	5/2017	Pang	.....	D27/101
2017/0035115 A1*	2/2017	Monsees	.....	H05B 1/0244

**OTHER PUBLICATIONS**

Electronic Vaporizer | Hypnos Zero | Linxvapor, posted n/a, (c) 2017 Linxvapor.com, [online], [site visited Oct. 16, 2017], Available at <https://linxvapor.com/products/hypos-zero>.\*

\* cited by examiner

*Primary Examiner* — Sheryl Lane  
*Assistant Examiner* — Jennifer M Campbell  
(74) *Attorney, Agent, or Firm* — Chhabra Law Firm, PC

(57) **CLAIM**

The ornamental design for an electronic vaporizer, as shown and described.

**DESCRIPTION**

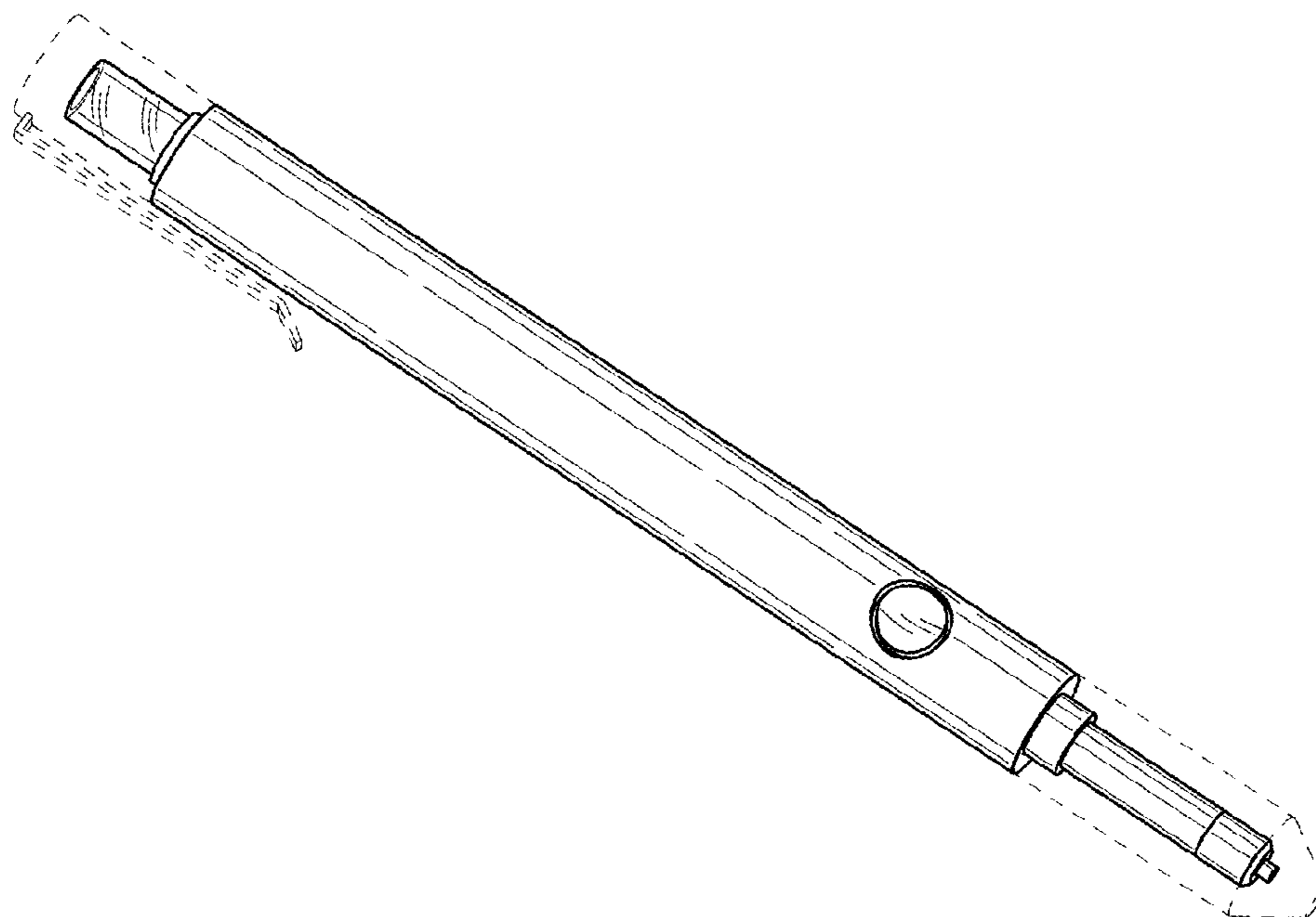
FIG. 1 is a top, right, front perspective environmental view; FIG. 2 is the left side view thereof; FIG. 3 is the right side view thereof; FIG. 4 is the front side view thereof; FIG. 5 is the back side view thereof; FIG. 6 is the bottom view thereof; FIG. 7 is the top view thereof; and, FIG. 8 is the top, right, front perspective view thereof. The broken lines in the drawings depict unclaimed subject matter and form no part of the claimed design.

**1 Claim, 3 Drawing Sheets**

(56) **References Cited**

**U.S. PATENT DOCUMENTS**

D409,327 S *	5/1999	Brock	.....	D19/170
6,273,094 B1 *	8/2001	Potter	.....	A24F 13/18 131/175
6,431,177 B1 *	8/2002	Sieggen	.....	A24F 13/18 131/187
D522,689 S *	6/2006	Bores	.....	D27/136
D598,496 S *	8/2009	Ikeda	.....	D19/168



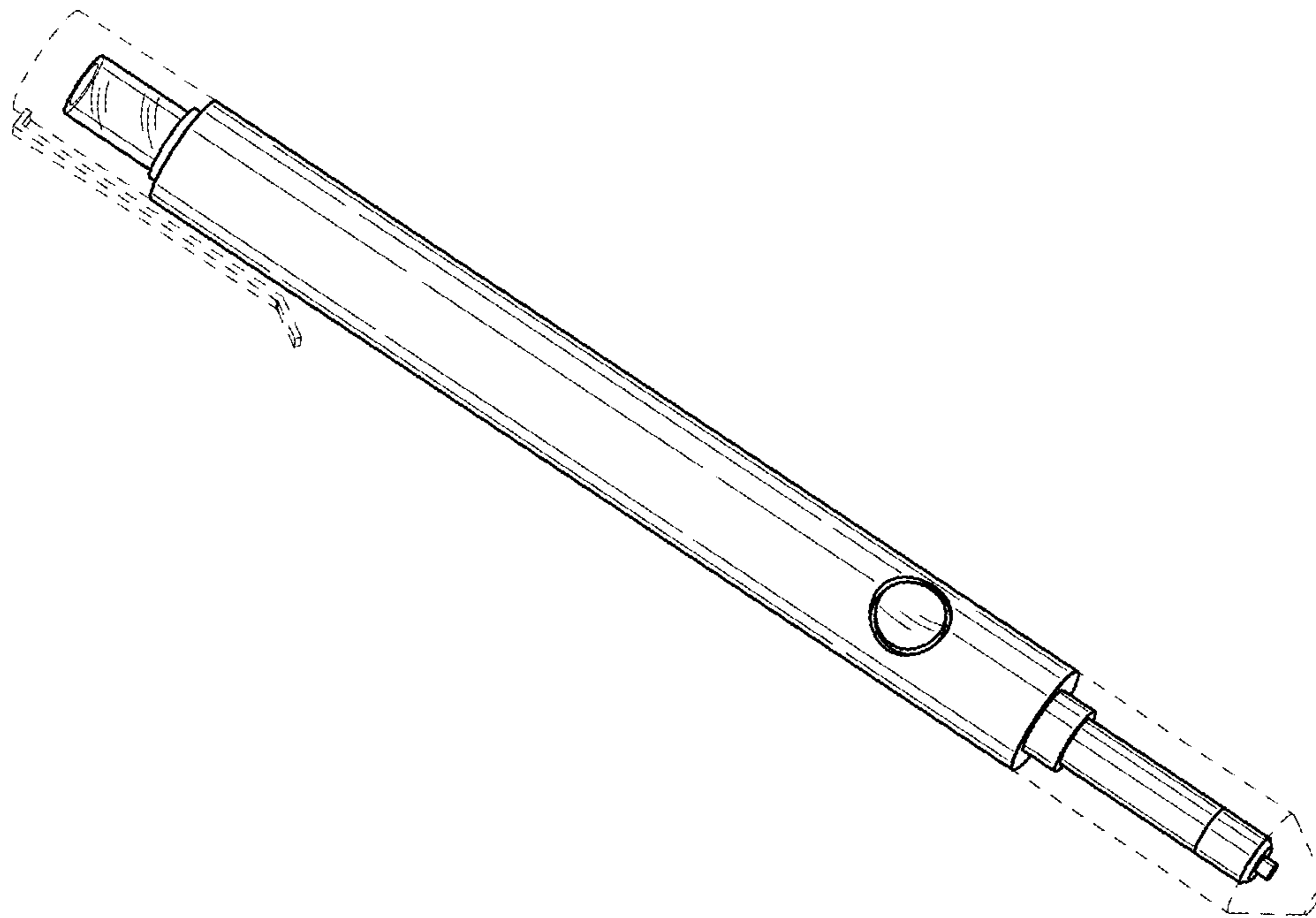


FIG. 1

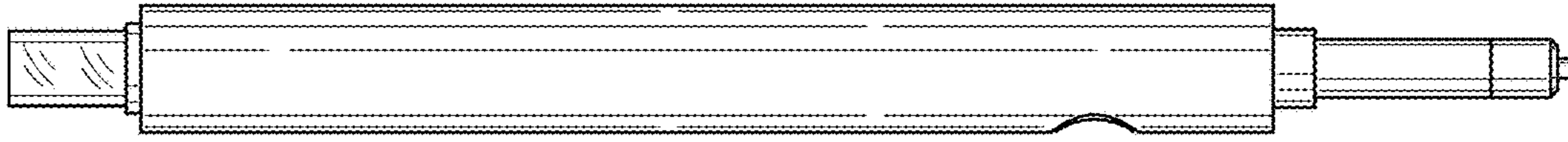


FIG. 2

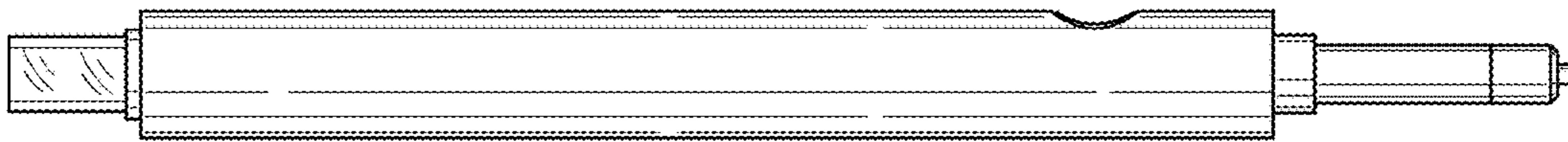


FIG. 3

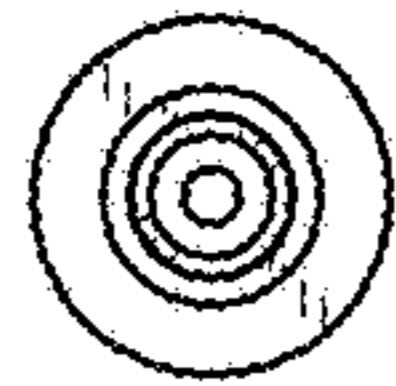


FIG. 4

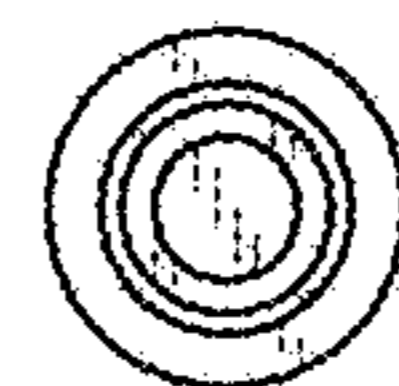


FIG. 5

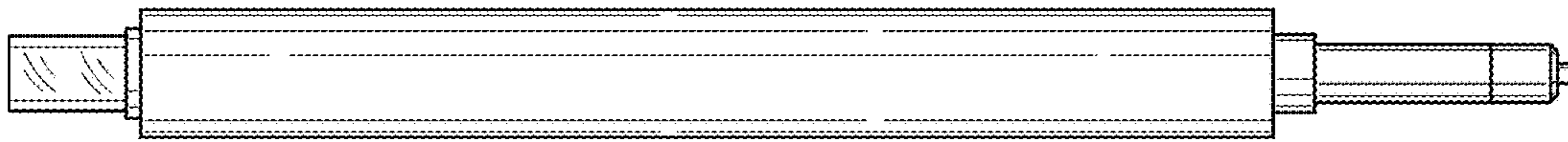


FIG. 6

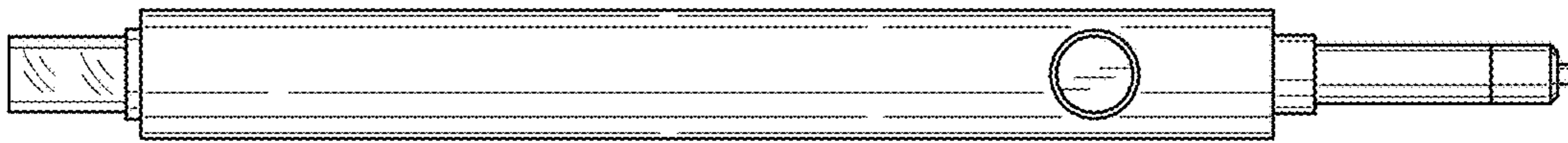


FIG. 7

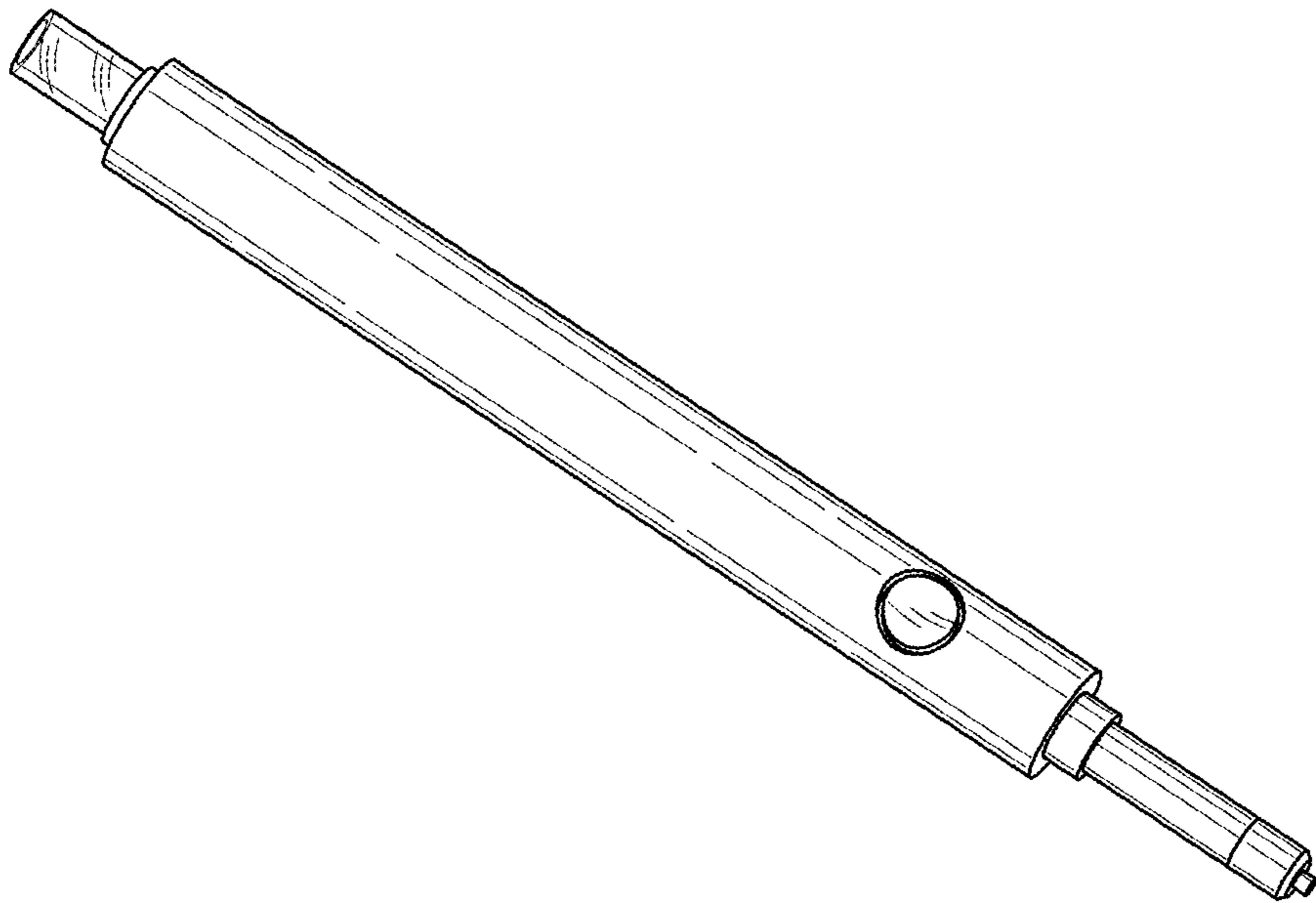


FIG. 8