



US00D808068S

(12) **United States Design Patent**
Yeh et al.

(10) **Patent No.:** **US D808,068 S**
(45) **Date of Patent:** **** Jan. 16, 2018**

(54) **LAMP**

(71) Applicant: **G-tech Lighting Technology (Dongguan) Co., Ltd.**, Goungdong (CN)

(72) Inventors: **Shiou-Liang Yeh**, Goungdong (CN); **Chang-Ching Lee**, Goungdong (CN); **Jonathan Wu**, Goungdong (CN); **Yi-Te Chou**, Goungdong (CN); **Liang-Jung Lee**, Goungdong (CN); **Cheng-Hung Hu**, Goungdong (CN)

(73) Assignee: **G-tech Lighting Technology (Dongguan) Co., Ltd.**, Goungdong (CN)

(**) Term: **15 Years**

(21) Appl. No.: **29/573,658**

(22) Filed: **Aug. 9, 2016**

(51) **LOC (11) Cl.** **26-05**

(52) **U.S. Cl.**
USPC **D26/142**

(58) **Field of Classification Search**
USPC D26/76, 78, 79, 80, 81, 82, 83, 85, 86, D26/88, 90, 113, 118, 119, 120, 121, 122, D26/138, 139, 140, 141, 142, 152, 154
CPC F21S 2/00; F21S 4/00; F21S 4/003; F21S 4/005; F21S 4/006; F21S 4/007; F21S 4/008; F21S 6/00; F21S 8/00; F21S 8/024; F21S 8/026; F21S 8/031; F21S 8/033; F21S 8/035-8/037; F21S 8/04; F21S 8/043; F21S 8/063
See application file for complete search history.

(56) **References Cited**

U.S. PATENT DOCUMENTS

D318,227 S * 7/1991 Halm D23/366
D387,730 S * 12/1997 McCarthy D13/133

D407,371 S * 3/1999 Pudims D13/138.2
D452,343 S * 12/2001 Pan D26/138
D546,762 S * 7/2007 Kovacs D13/134
D615,698 S * 5/2010 Weiss D26/142
D633,870 S * 3/2011 Thommes D26/113
D666,334 S * 8/2012 Kim D26/2
D682,448 S * 5/2013 Nugent D26/22
D780,297 S * 2/2017 Ray D23/262
D783,200 S * 4/2017 Nanni D26/142
D794,228 S * 8/2017 Unnikrishnan D23/366
2017/0122501 A1 * 5/2017 Chung F21V 3/02

* cited by examiner

Primary Examiner — George D. Kirschbaum

Assistant Examiner — Natasha Vujcic

(74) *Attorney, Agent, or Firm* — Alan D. Kamrath; Kamrath IP Lawfirm, P.A.

(57) **CLAIM**

The ornamental design for a lamp, as shown and described.

DESCRIPTION

FIG. 1 is a perspective view of a lamp showing our new design;
FIG. 2 is a front view thereof;
FIG. 3 is a rear view thereof;
FIG. 4 is a left side view thereof;
FIG. 5 is a right side view thereof;
FIG. 6 is a top view thereof;
FIG. 7 is a bottom view thereof;
FIG. 8 is another perspective view thereof;
FIG. 9 is a perspective view thereof showing a cover mounted on the lamp; and,
FIG. 10 is a perspective view thereof showing another cover mounted on the lamp.
The broken lines in the drawings illustrate portions of the lamp which form no part of the claimed design.

1 Claim, 10 Drawing Sheets

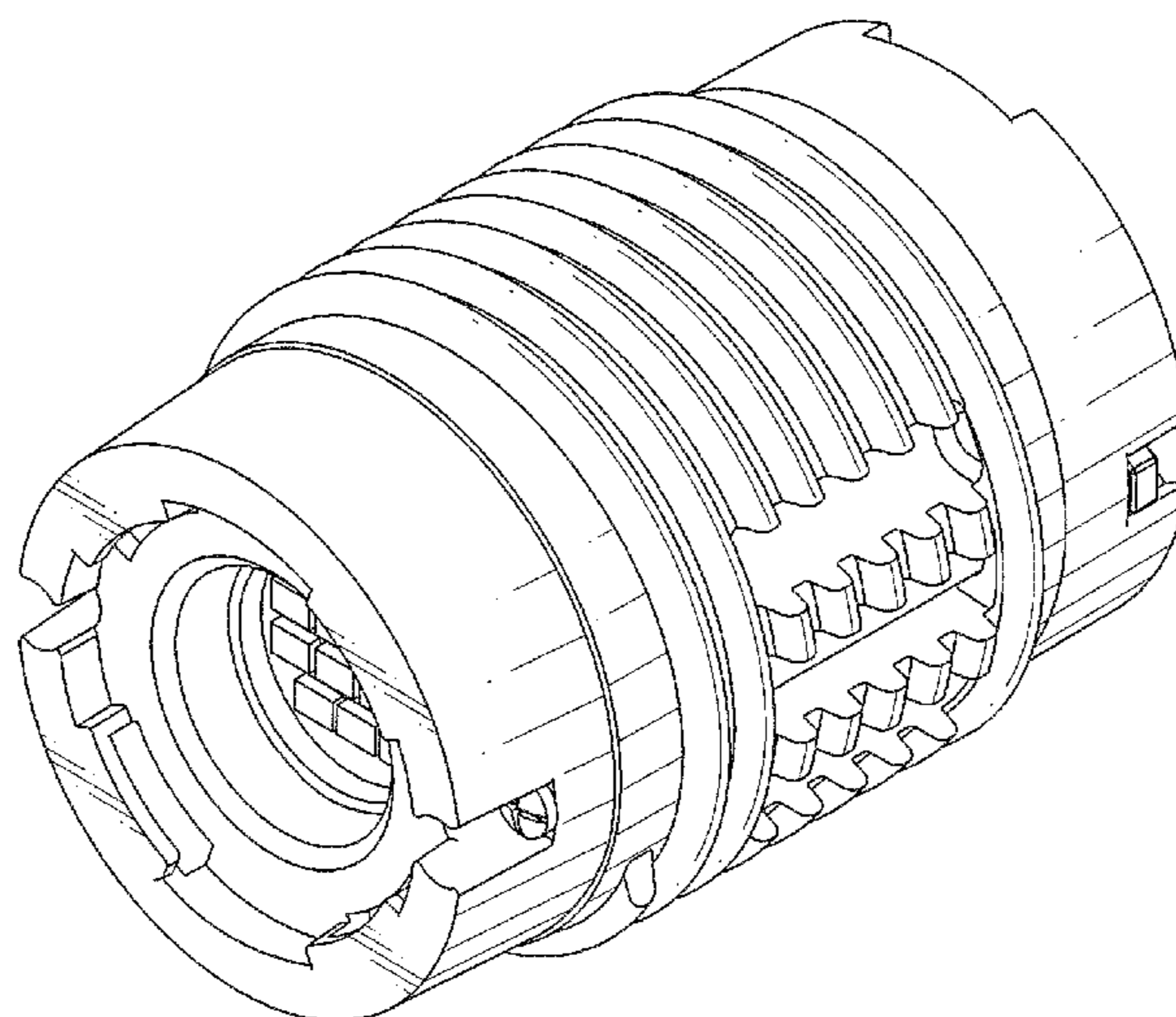
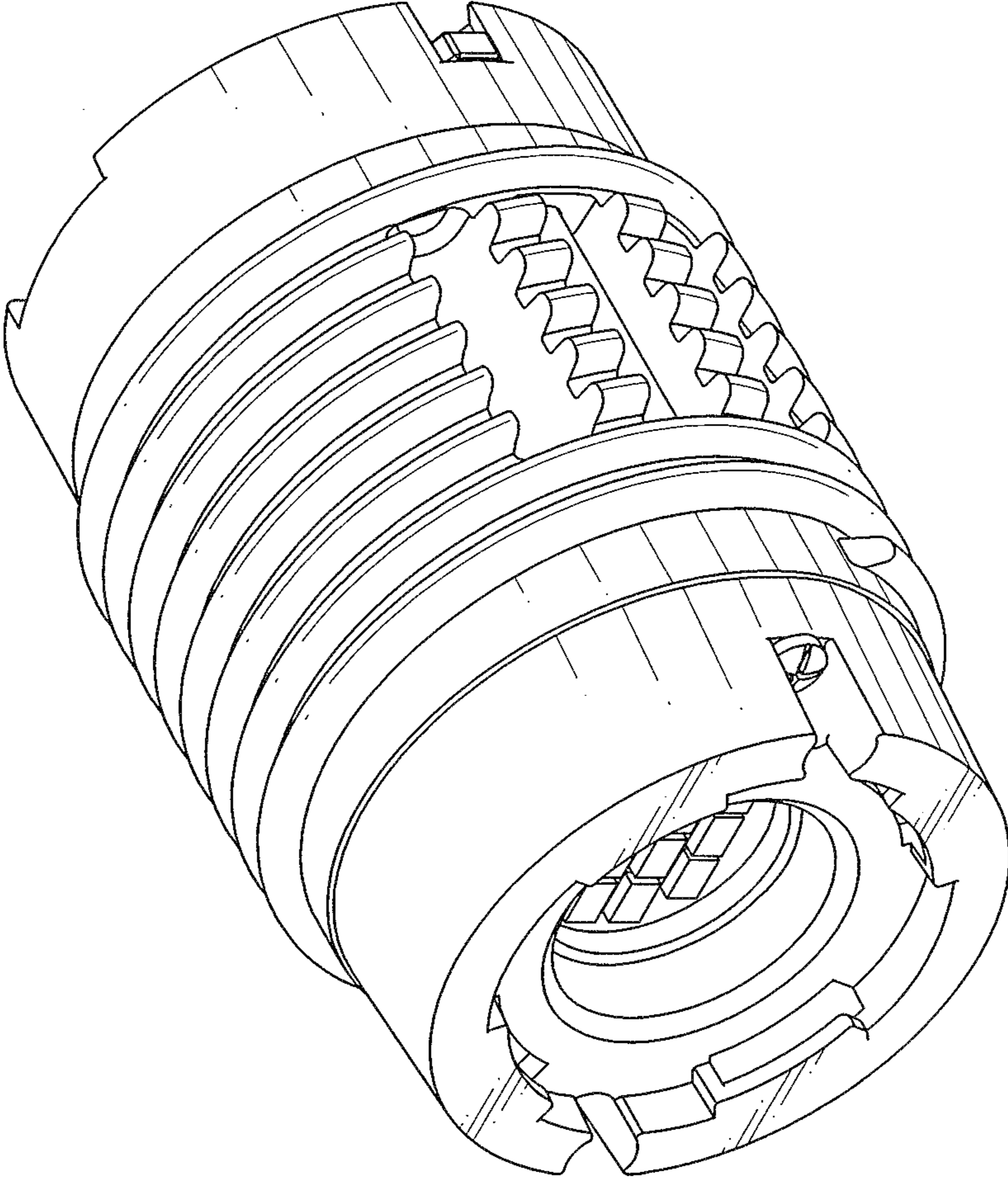


FIG.1



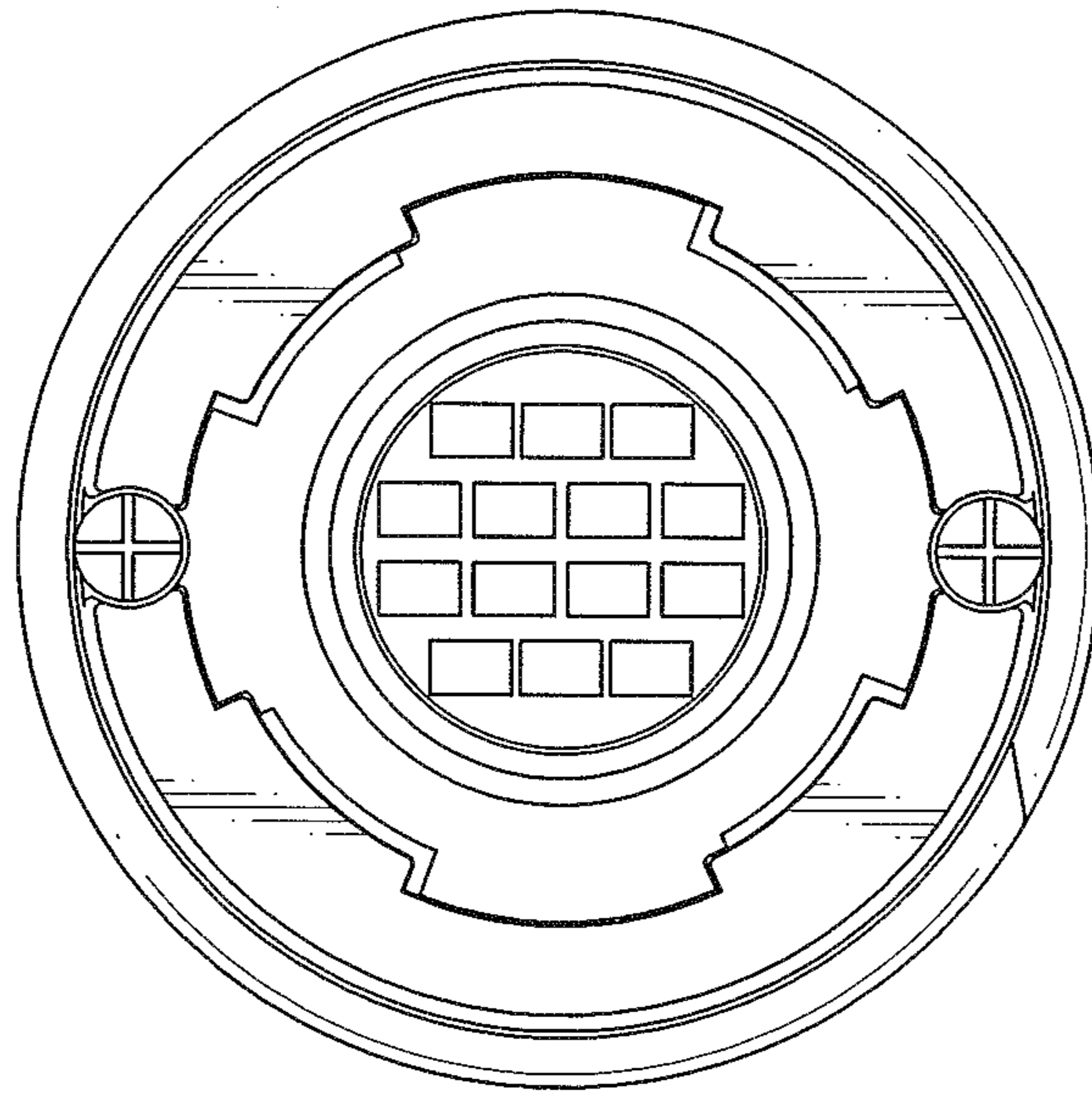


FIG.2

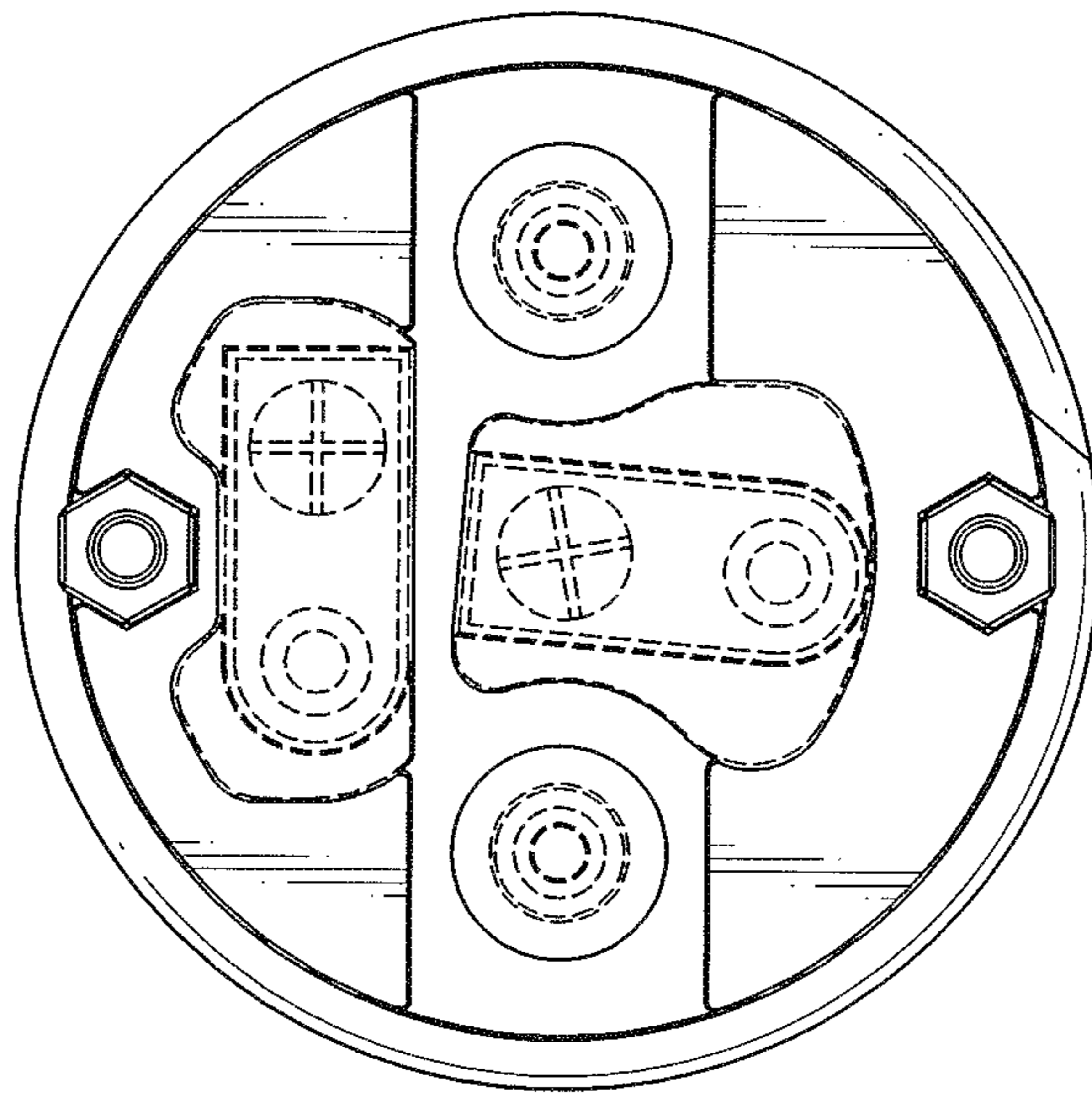


FIG.3

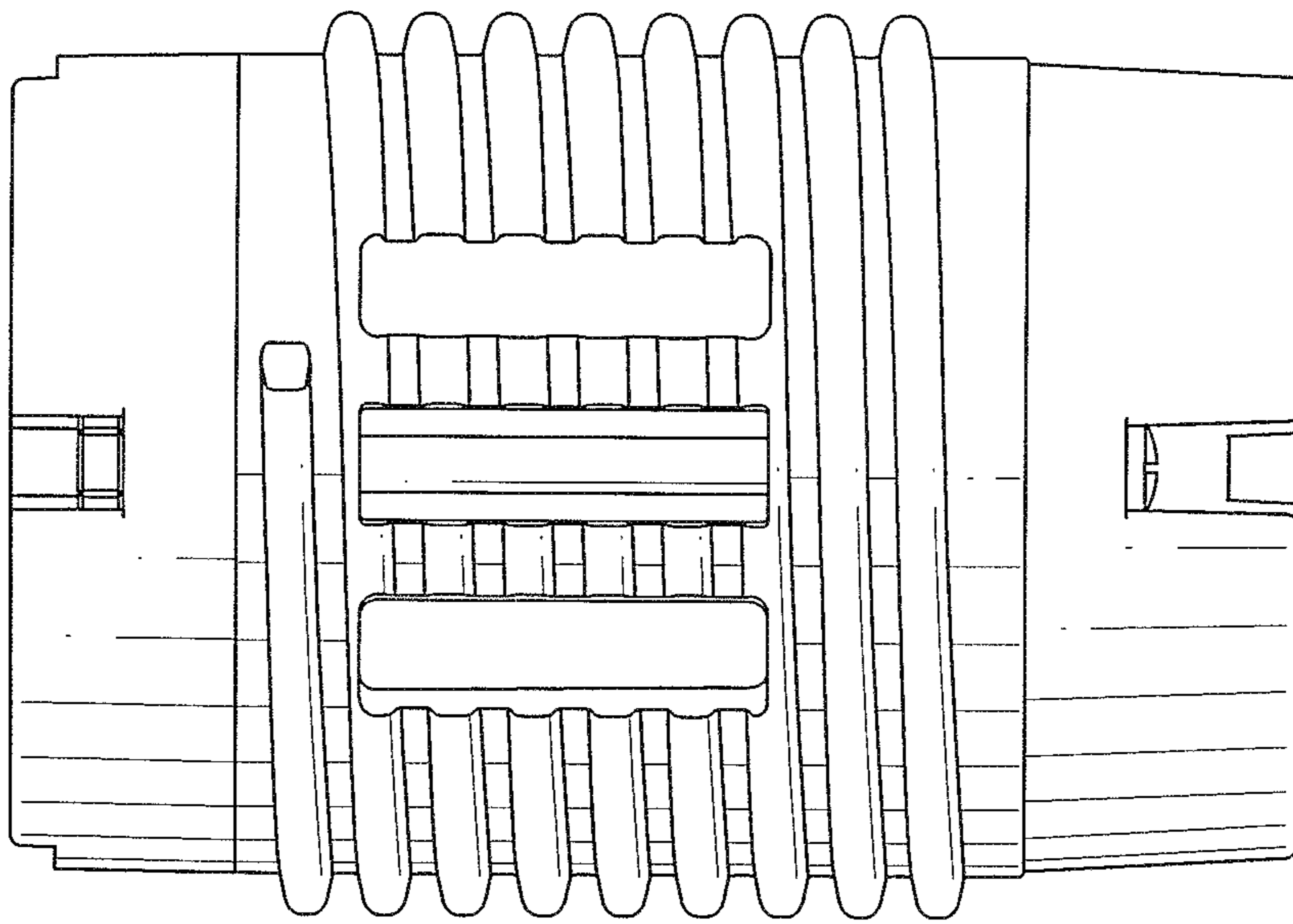


FIG.4

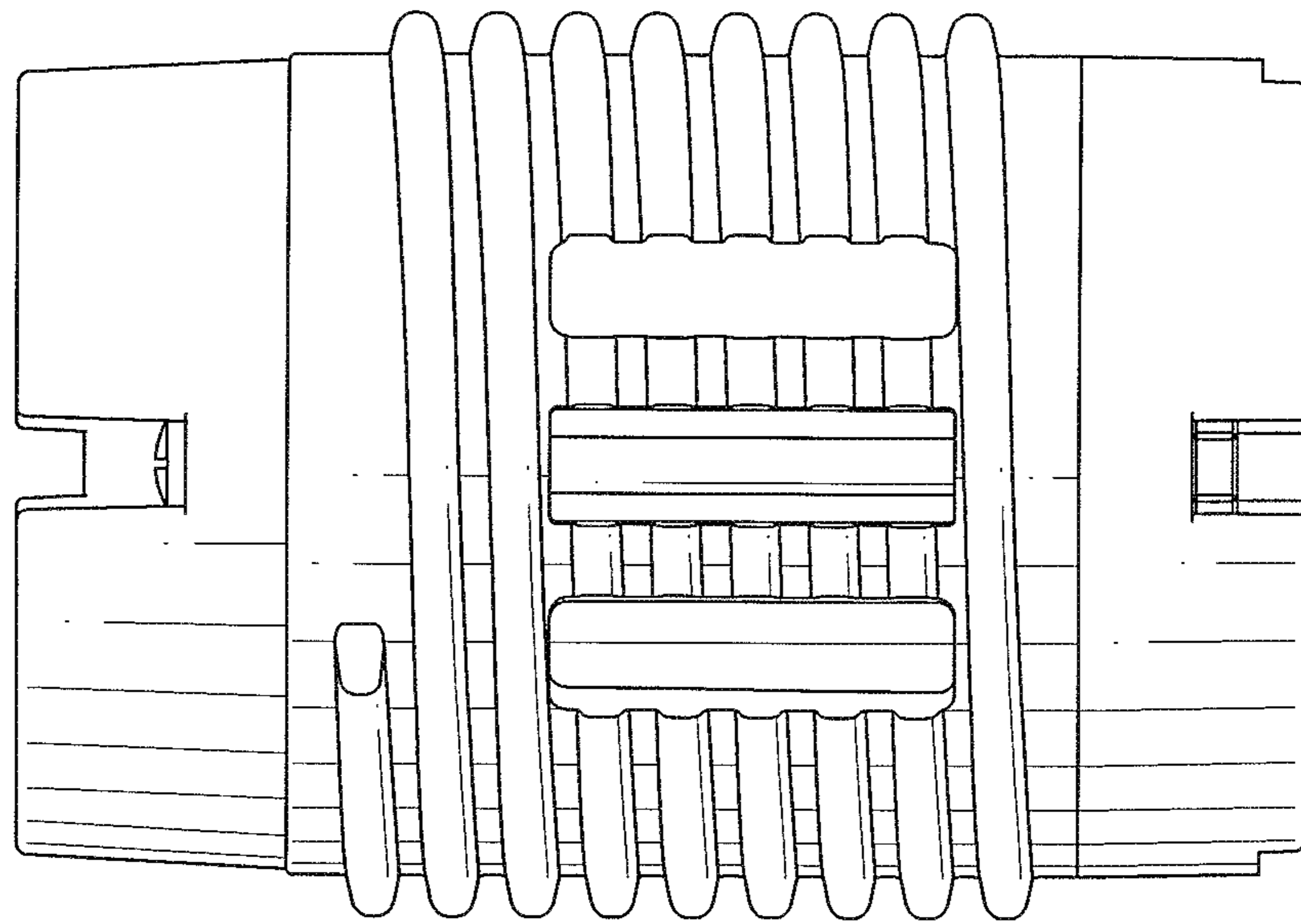


FIG.5

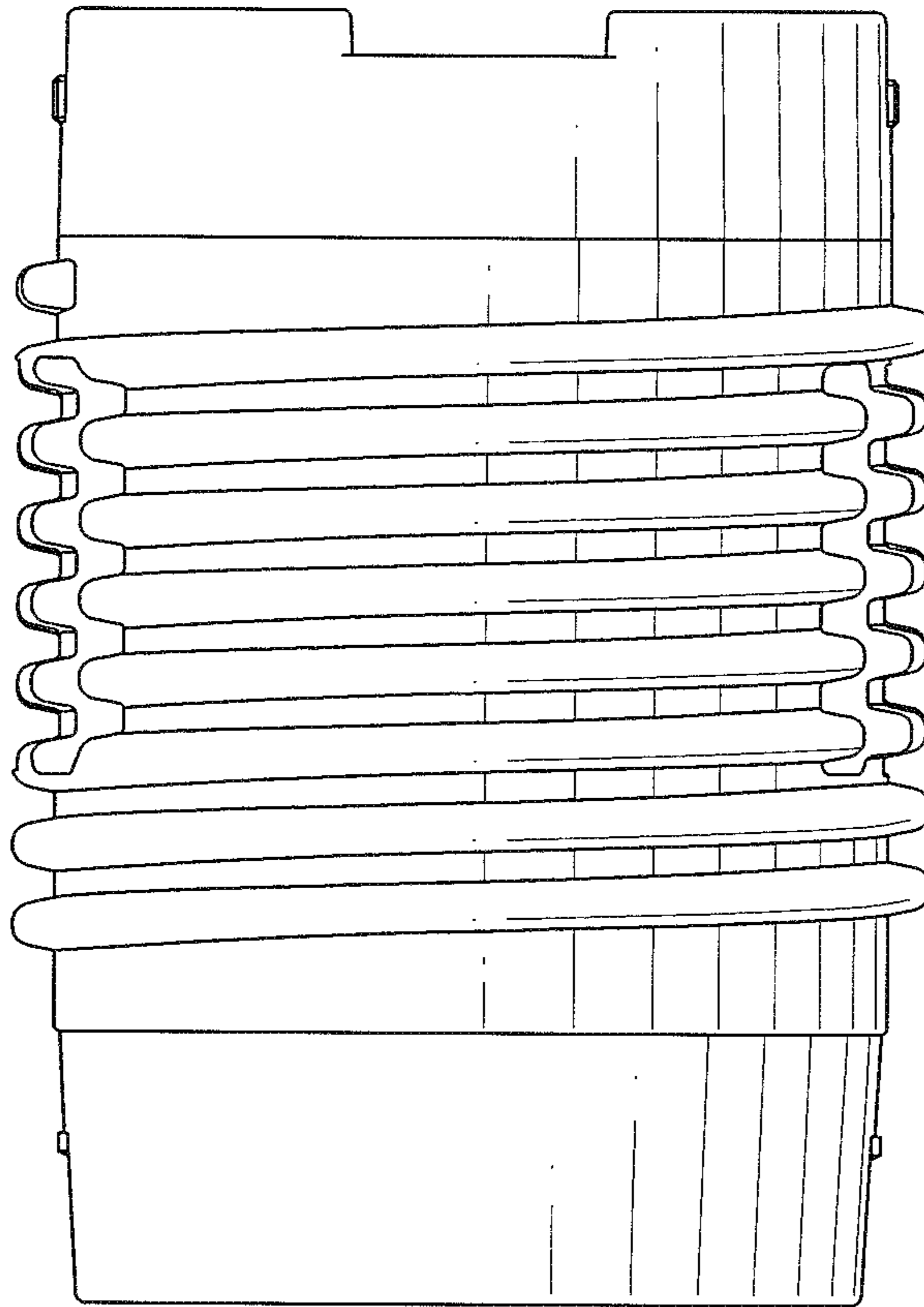


FIG.6

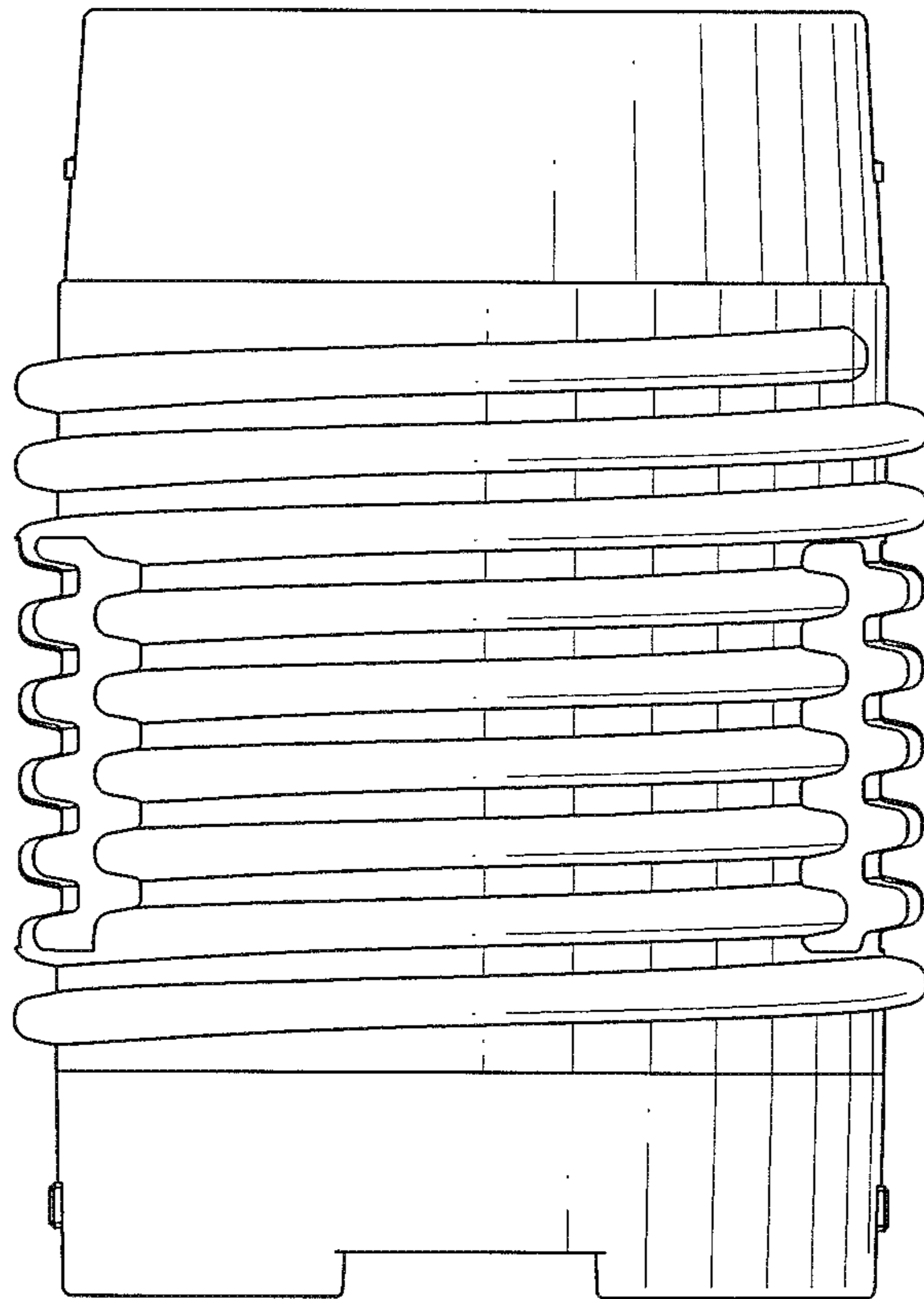


FIG.7

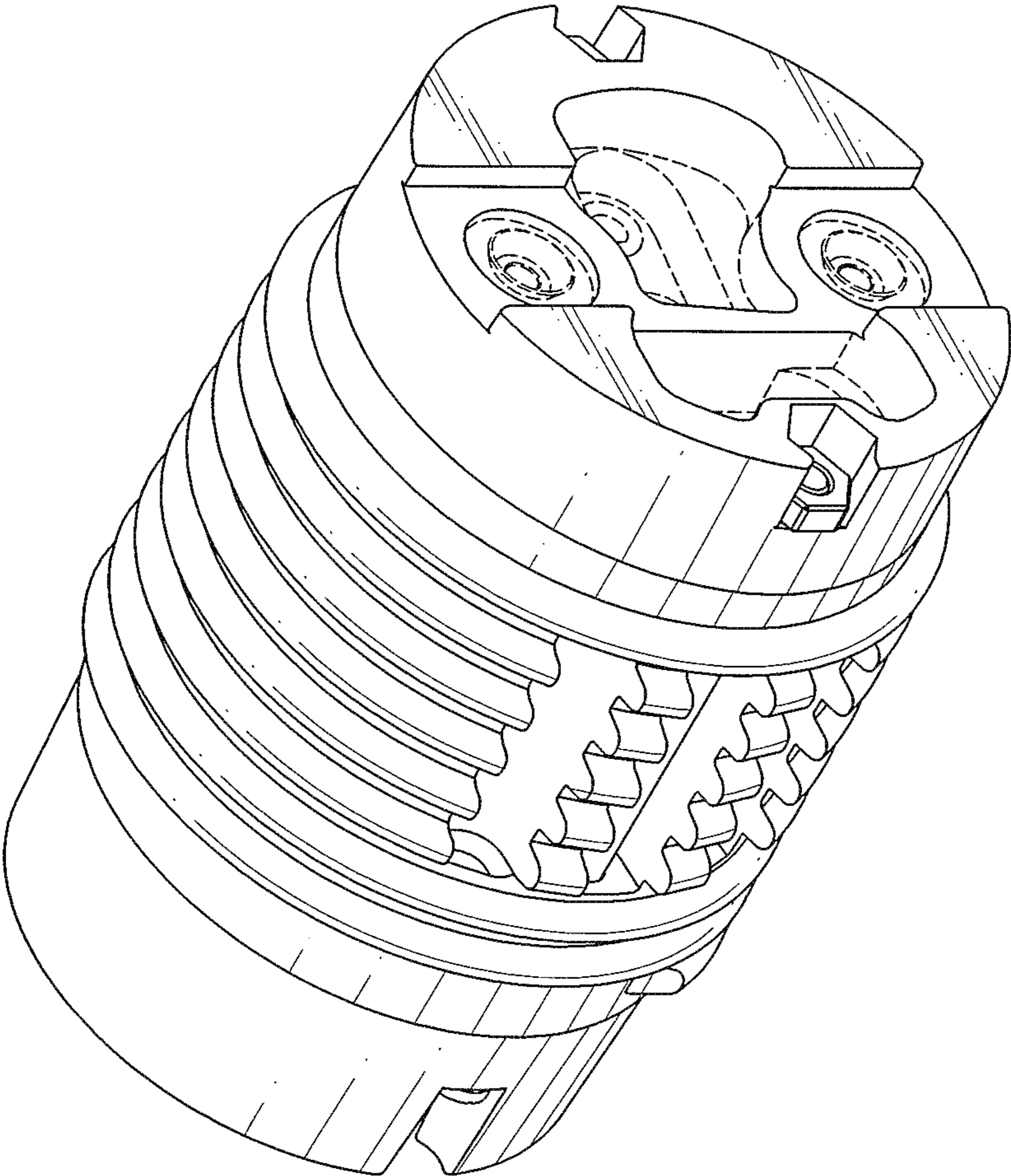


FIG.8

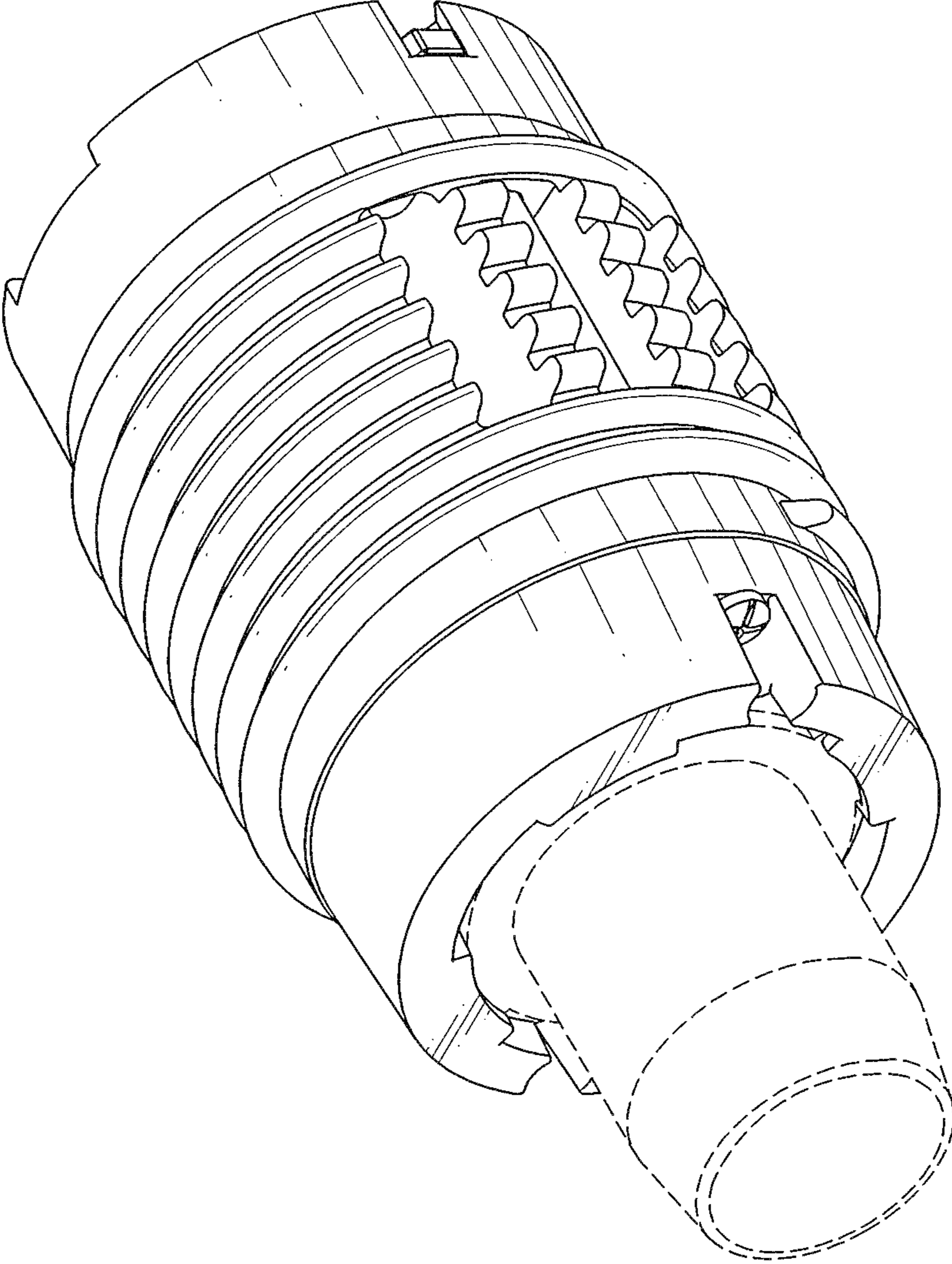


FIG.9

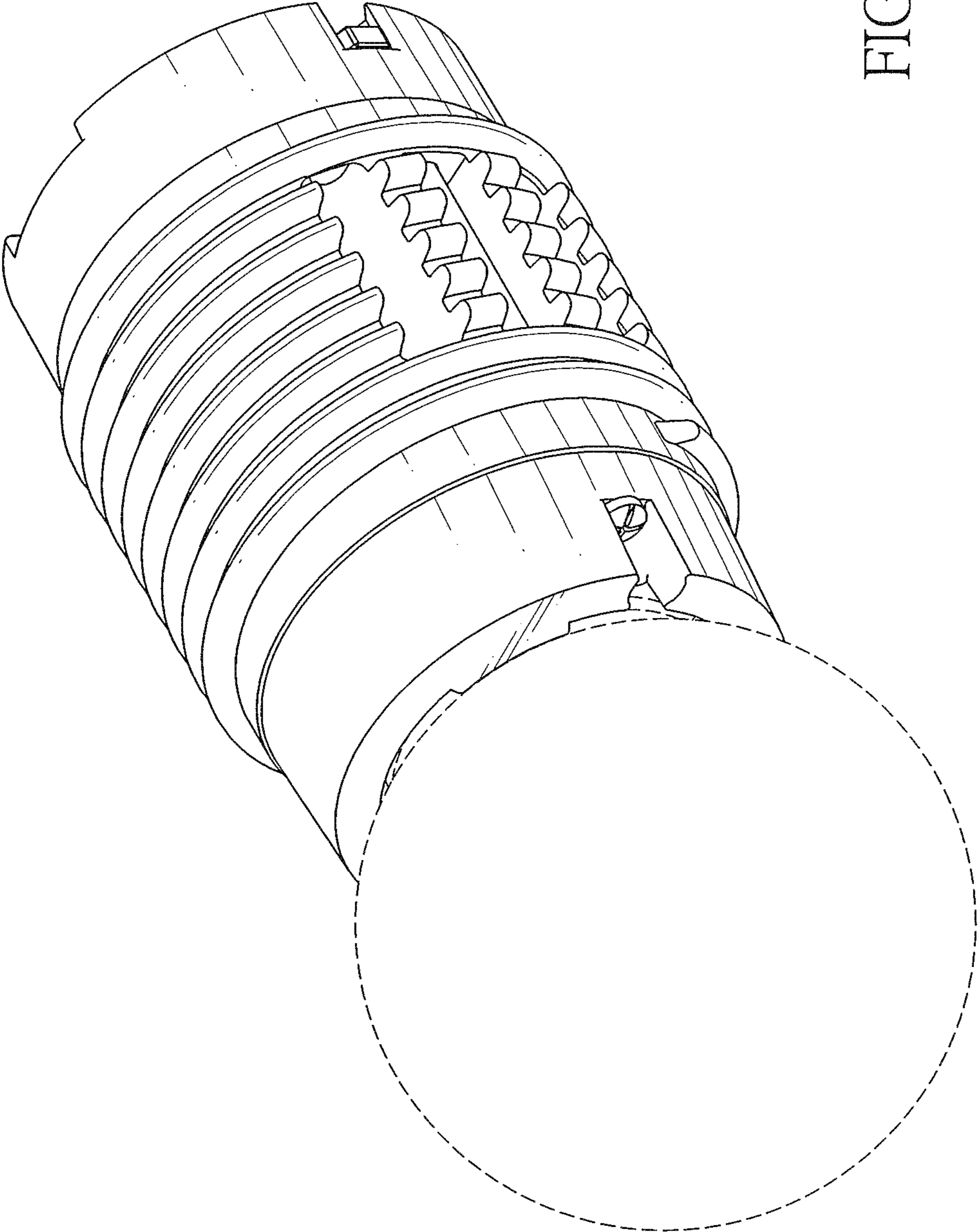


FIG.10