



US00D808066S

(12) **United States Design Patent**
Young

(10) **Patent No.:** **US D808,066 S**

(45) **Date of Patent:** **** Jan. 16, 2018**

(54) **SOLAR MOUNT LIGHT RAIL**

(71) Applicant: **Unirac Inc.**, Albuquerque, NM (US)

(72) Inventor: **Tom Young**, Albuquerque, NM (US)

(73) Assignee: **Unirac Inc.**, Albuquerque, NM (US)

(**) Term: **15 Years**

(21) Appl. No.: **29/573,876**

(22) Filed: **Aug. 10, 2016**

(51) **LOC (11) Cl.** **26-05**

(52) **U.S. Cl.**
USPC **D26/138**

(58) **Field of Classification Search**
USPC D26/76, 78, 79, 80, 81, 82, 83, 85, 86,
D26/88, 90, 113, 118, 119, 120, 121, 122,
D26/138, 139, 140, 141, 142, 152
CPC F21S 2/00; F21S 4/00; F21S 4/003; F21S
4/005; F21S 4/006; F21S 4/007; F21S
4/008; F21S 6/00; F21S 8/00; F21S
8/024; F21S 8/026; F21S 8/031; F21S
8/033; F21S 8/035-8/037; F21S 8/04;
F21S 8/043; F21S 8/063
See application file for complete search history.

7,260,918 B2 8/2007 Liebendorfer
7,434,362 B2 10/2008 Liebendorfer
7,600,349 B2 10/2009 Liebendorfer
D621,961 S * 8/2010 Gardner D25/119
D627,717 S 11/2010 Munoz et al.
D649,690 S * 11/2011 Trzesniowski D26/138
D674,513 S 1/2013 Liu
8,595,997 B2 12/2013 Wu
D698,076 S * 1/2014 Klus D26/138
8,640,401 B2 2/2014 Hong et al.
8,695,290 B1 4/2014 Kim et al.
9,163,861 B2 10/2015 Al-Haddad et al.
9,239,173 B2 1/2016 Balyon et al.
D782,105 S * 3/2017 Klus D26/138
D794,245 S * 8/2017 Klus D26/142

* cited by examiner

Primary Examiner — George D. Kirschbaum
Assistant Examiner — Natasha Vujcic
(74) *Attorney, Agent, or Firm* — Crowell & Moring LLP

(57) **CLAIM**

The ornamental design for a solar mount light rail, as shown and described.

DESCRIPTION

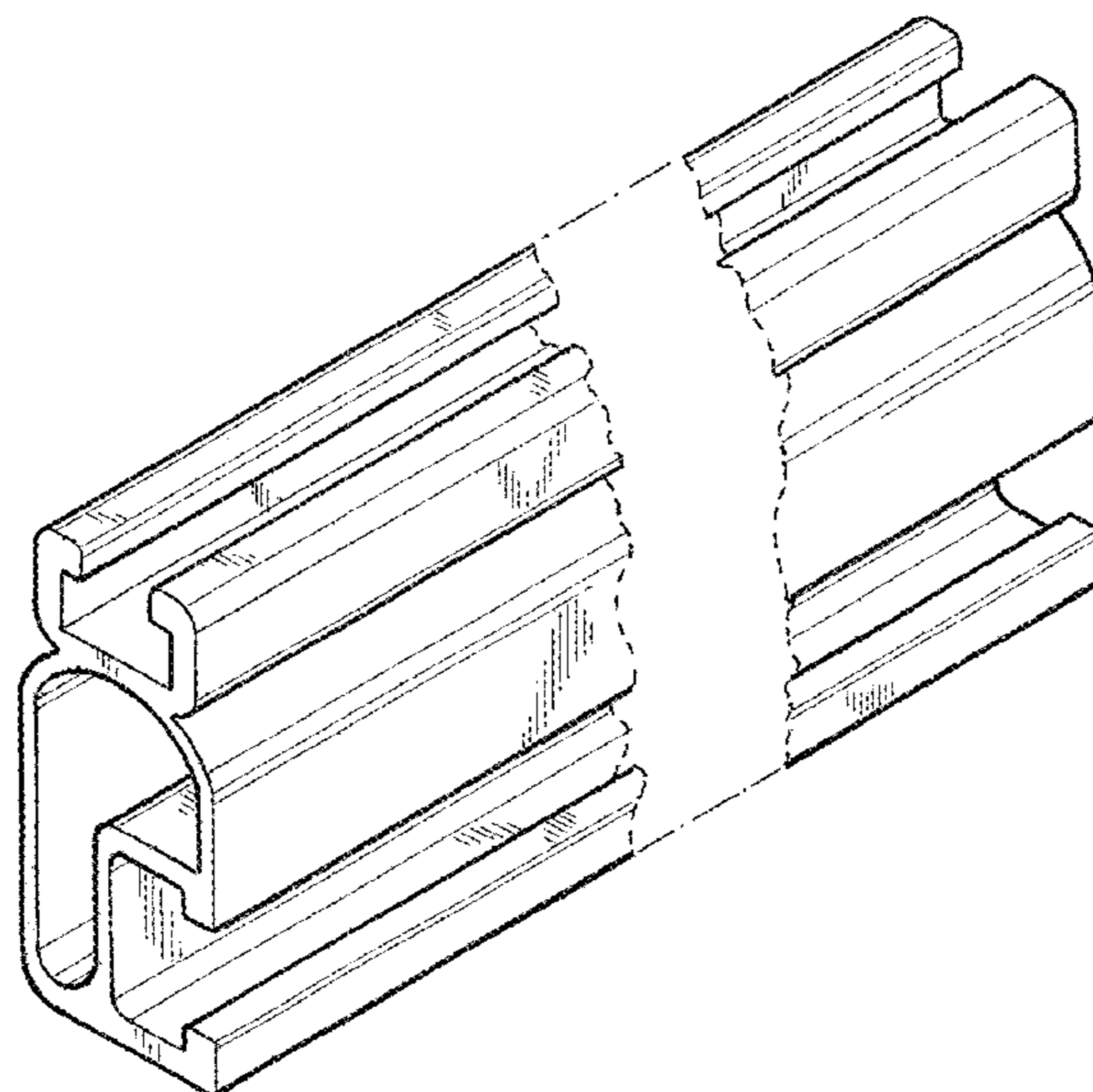
FIG. 1 is a left perspective view of a solar mount light rail according to the design;
FIG. 2 is a right perspective view thereof;
FIG. 3 is an end view thereof, the opposite end view being a mirror image;
FIG. 4 is a right side elevational view thereof;
FIG. 5 is a left side elevational view thereof;
FIG. 6 is a top plan view thereof; and,
FIG. 7 is a bottom plan view thereof.
The break lines in the drawings indicate that the appearance of any portion of the solar mount light rail between the break lines forms no part of the claimed design.

1 Claim, 6 Drawing Sheets

(56) **References Cited**

U.S. PATENT DOCUMENTS

D227,984 S * 7/1973 Lang et al. D25/125
D246,928 S * 1/1978 Win D26/152
D246,929 S * 1/1978 Win D26/152
D246,930 S * 1/1978 Win D26/152
D342,579 S * 12/1993 Mason D25/119
D345,268 S * 3/1994 Pate D25/119
D356,645 S * 3/1995 Boer D25/119
D496,248 S 9/2004 Liebendorfer
D496,249 S 9/2004 Liebendorfer



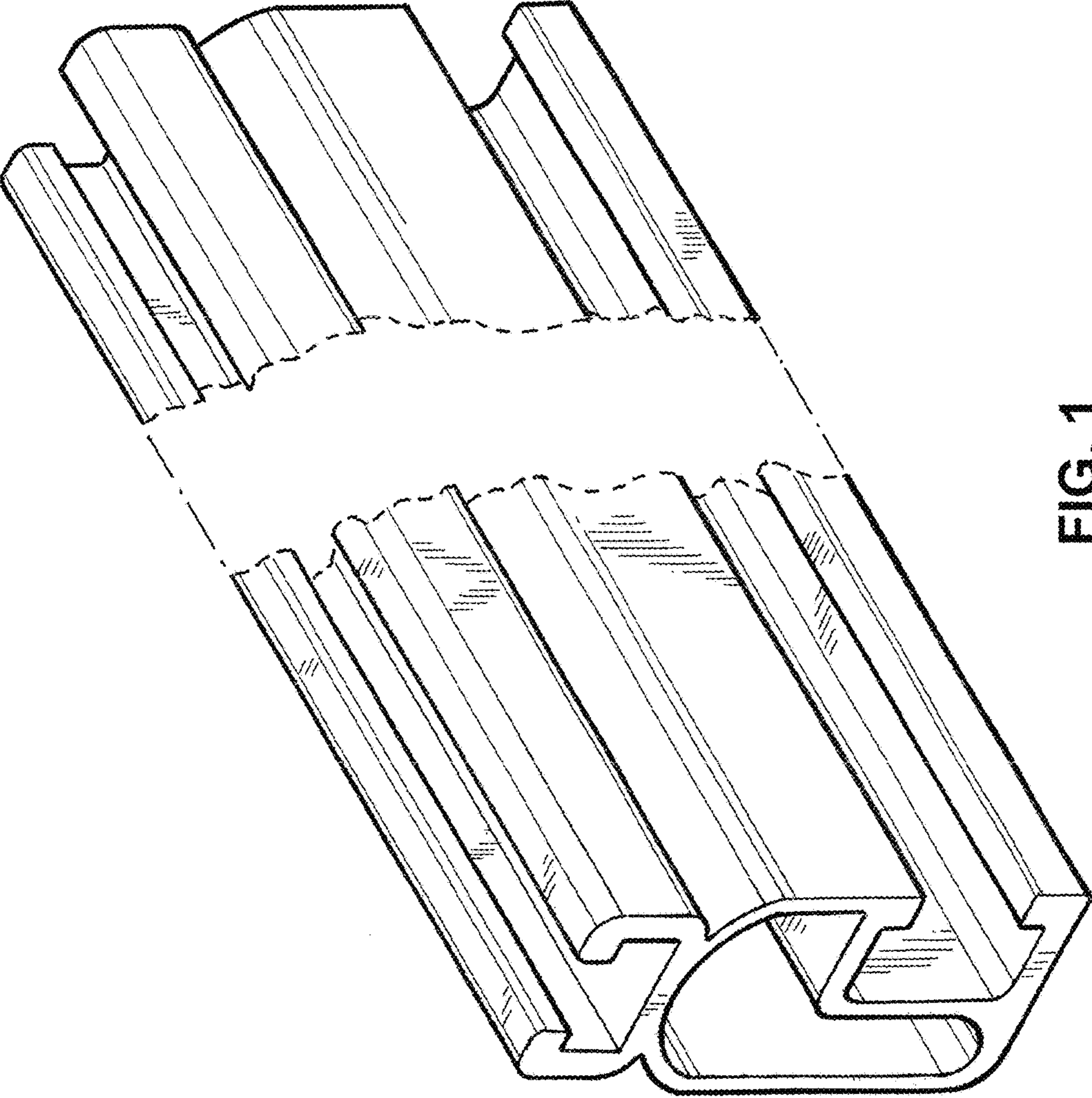


FIG. 1

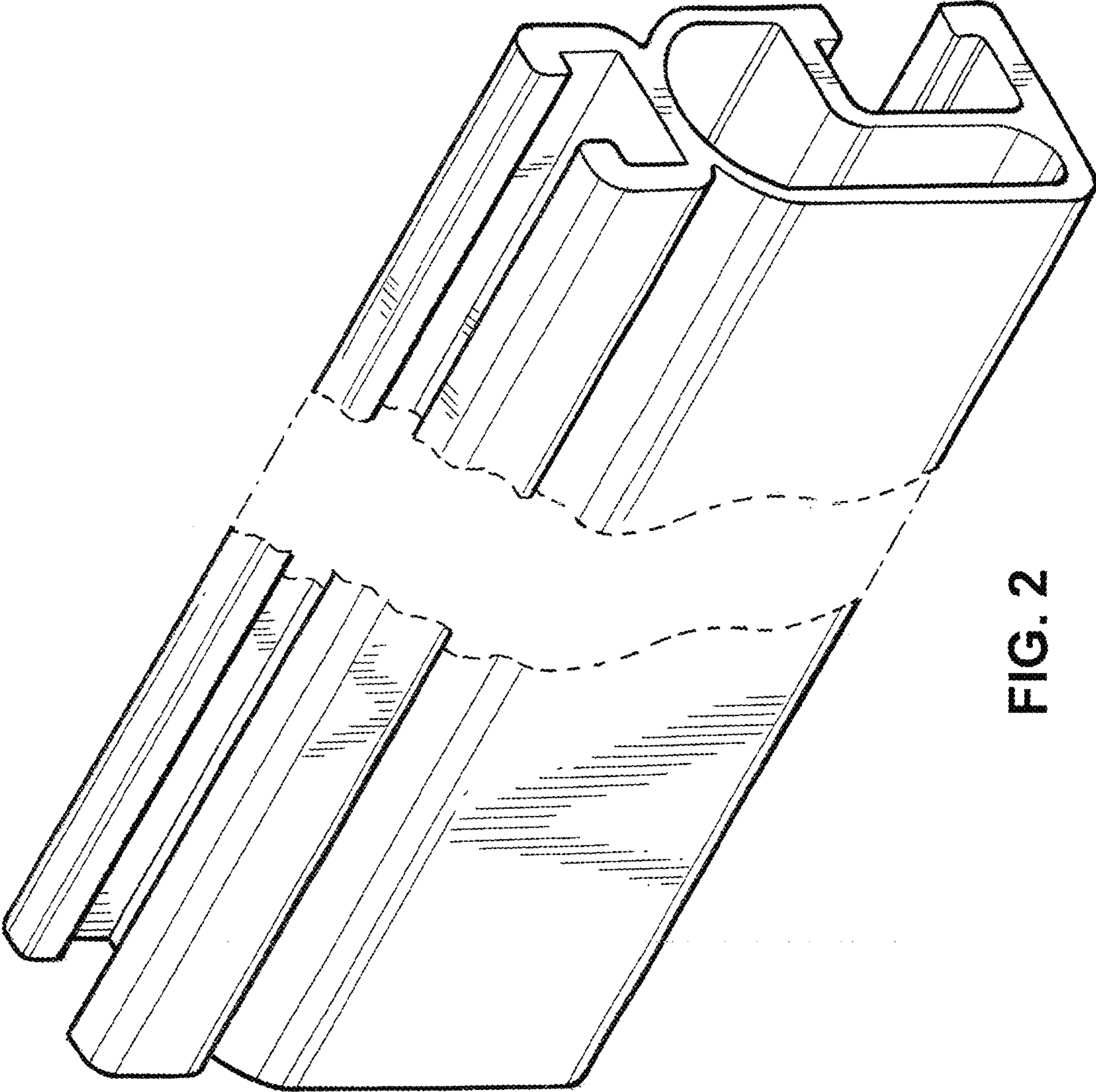


FIG. 2

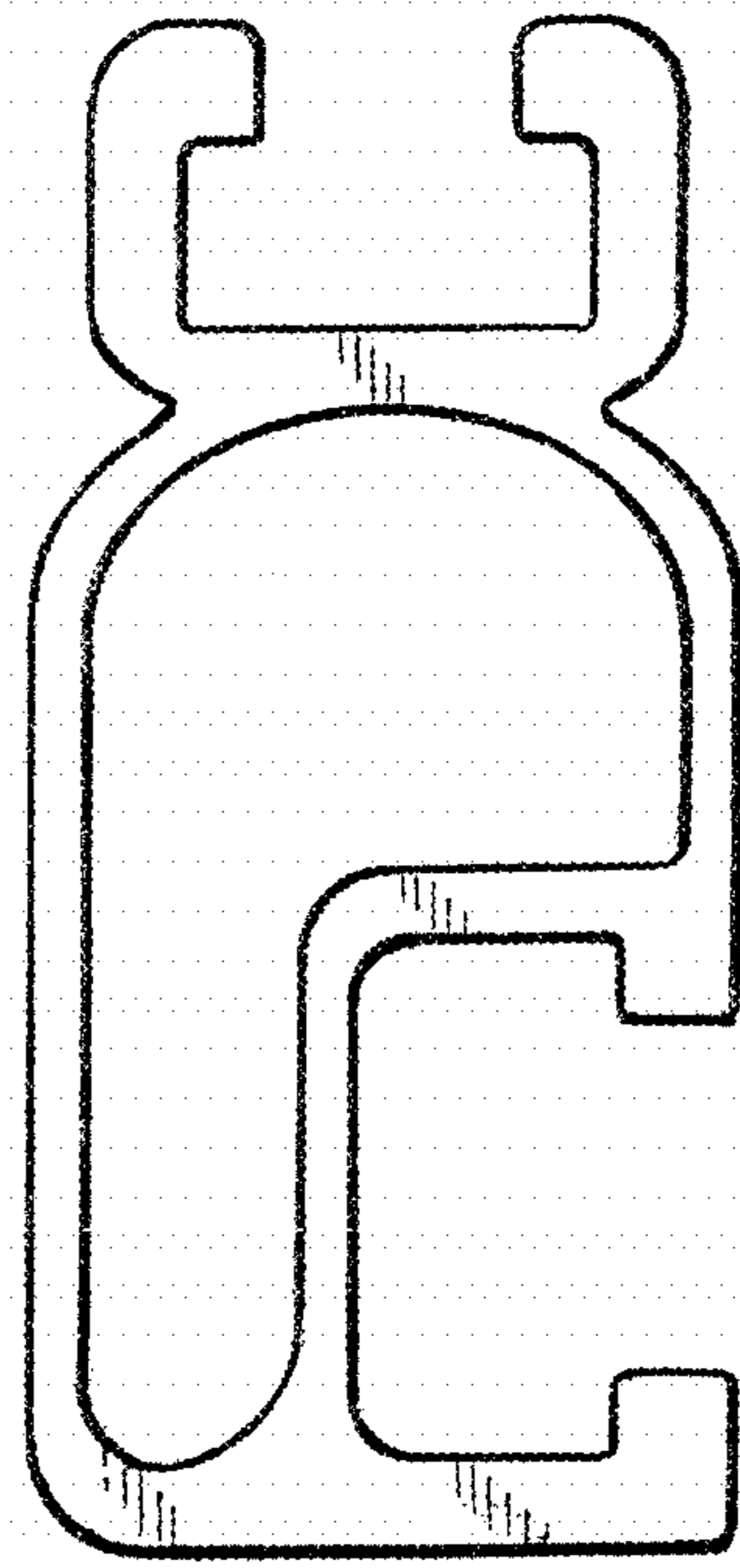


FIG. 3

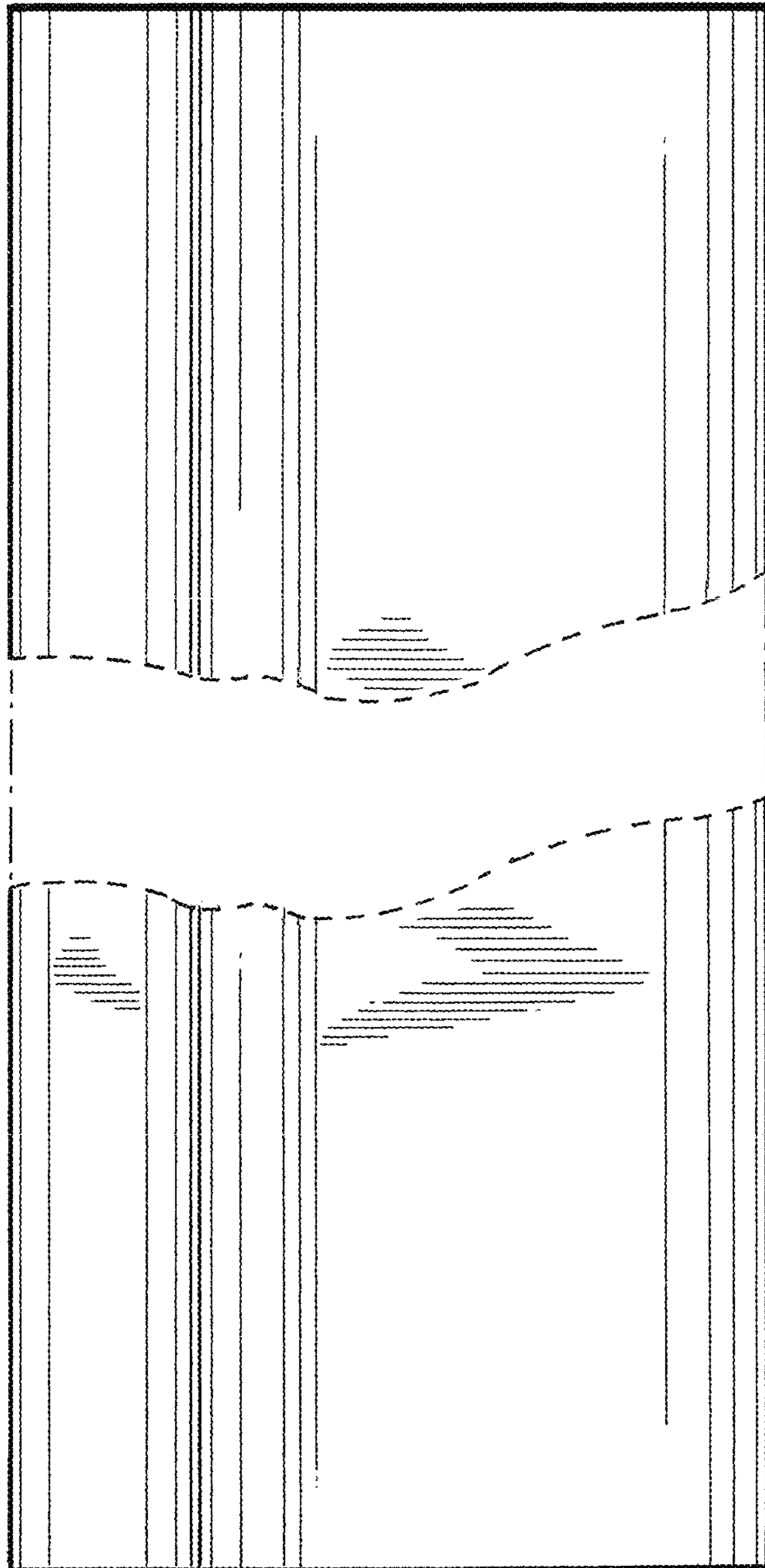


FIG. 4

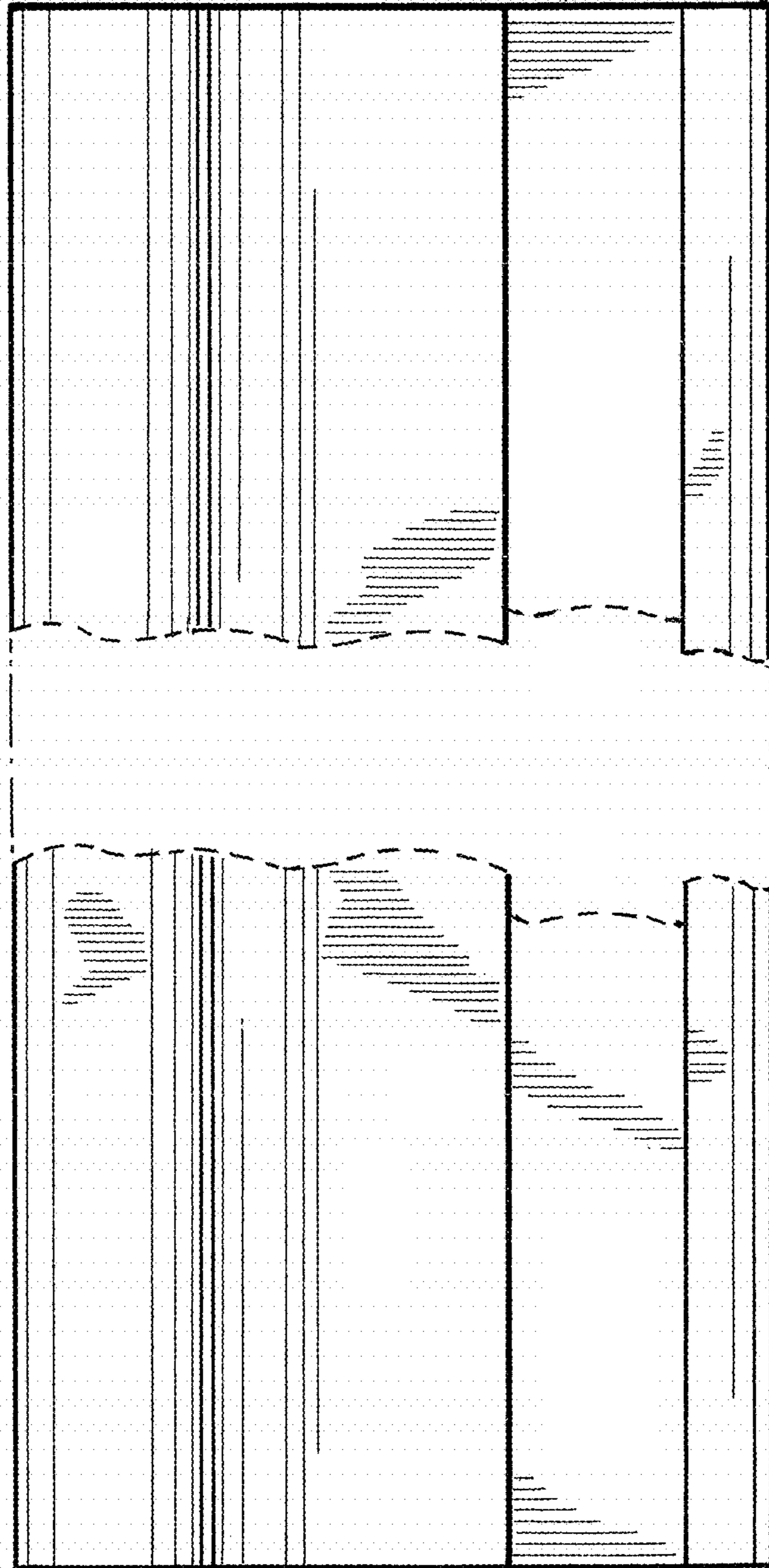


FIG. 5

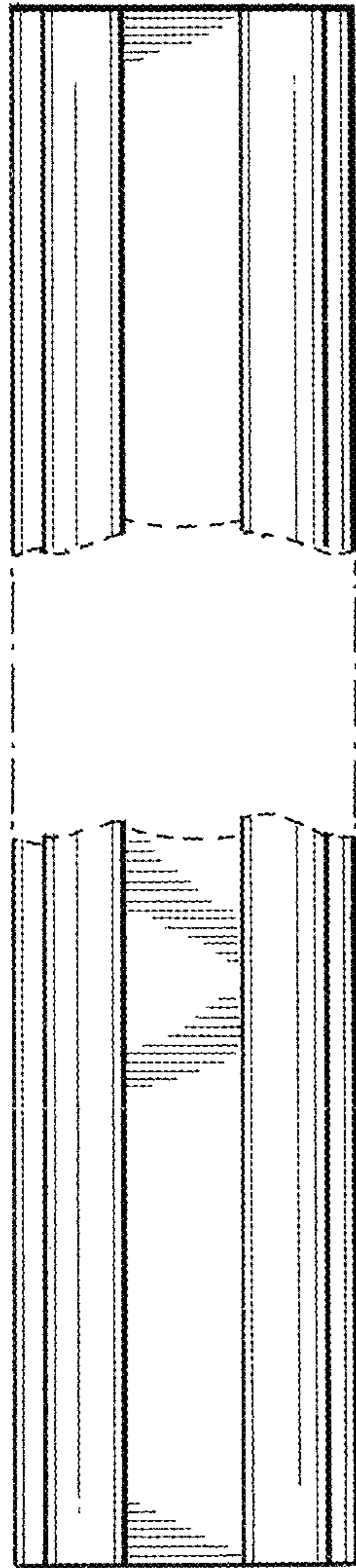


FIG. 6

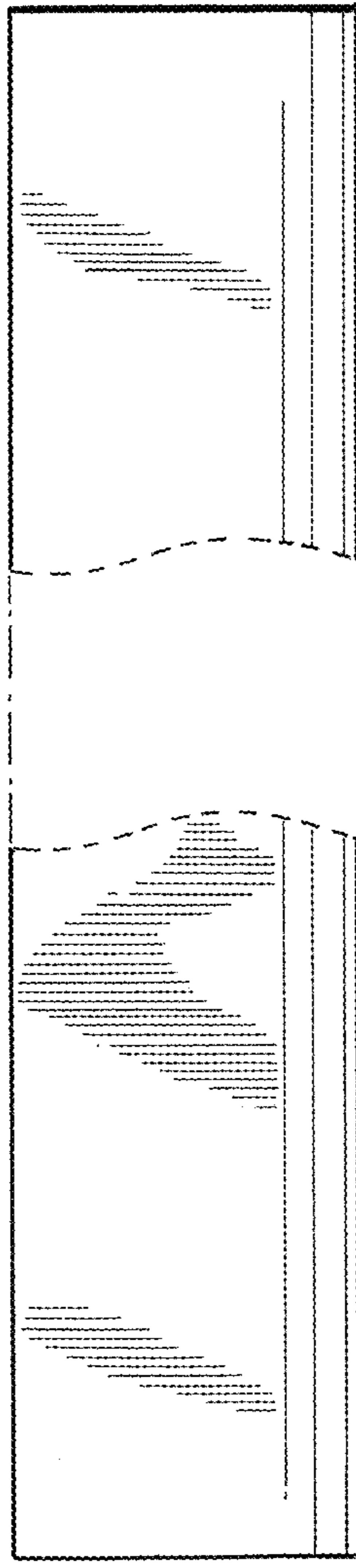


FIG. 7