



US00D808062S

(12) **United States Design Patent**
Zhu

(10) **Patent No.:** **US D808,062 S**
(45) **Date of Patent:** **** Jan. 16, 2018**

(54) **FULL CUT OFF LED WALL PACK LIGHT**

(71) Applicant: **Changyong Zhu**, Nanjing (CN)

(72) Inventor: **Changyong Zhu**, Nanjing (CN)

(**) Term: **15 Years**

(21) Appl. No.: **29/585,993**

(22) Filed: **Nov. 30, 2016**

(51) **LOC (11) Cl.** **26-03**

(52) **U.S. Cl.**
USPC **D26/85**

(58) **Field of Classification Search**
USPC D26/72, 85, 87, 92; D10/106.6, 106.8
CPC F21S 8/03; F21S 8/033; F21S 8/036; F21S
8/037; F21S 9/022; F21S 9/024; F21S
9/03; F21S 9/035; F21S 9/037; F21W
2131/107

See application file for complete search history.

(56) **References Cited**

U.S. PATENT DOCUMENTS

D222,117 S *	9/1971	Batz	D25/102
D237,533 S *	11/1975	Gandini	D26/87
D390,999 S *	2/1998	Gaskins	D26/85
D404,164 S *	1/1999	Vakil	D26/85
D487,529 S *	3/2004	Kowitz	D26/85

D562,491 S *	2/2008	DiCola	D26/85
D565,232 S *	3/2008	Butler	D26/85
D583,497 S *	12/2008	Miller	D26/85
D669,206 S *	10/2012	Yu	D26/85
9,506,612 B1 *	11/2016	Badley	F21S 9/024
2008/0043467 A1 *	2/2008	Wilcox	F21S 8/033 362/247
2015/0308667 A1 *	10/2015	Corkill	F21S 8/033 362/147
2017/0038045 A1 *	2/2017	Liang	F21V 21/30

* cited by examiner

Primary Examiner — Clare E Heflin

(74) *Attorney, Agent, or Firm* — Egbert Law Offices, PLLC

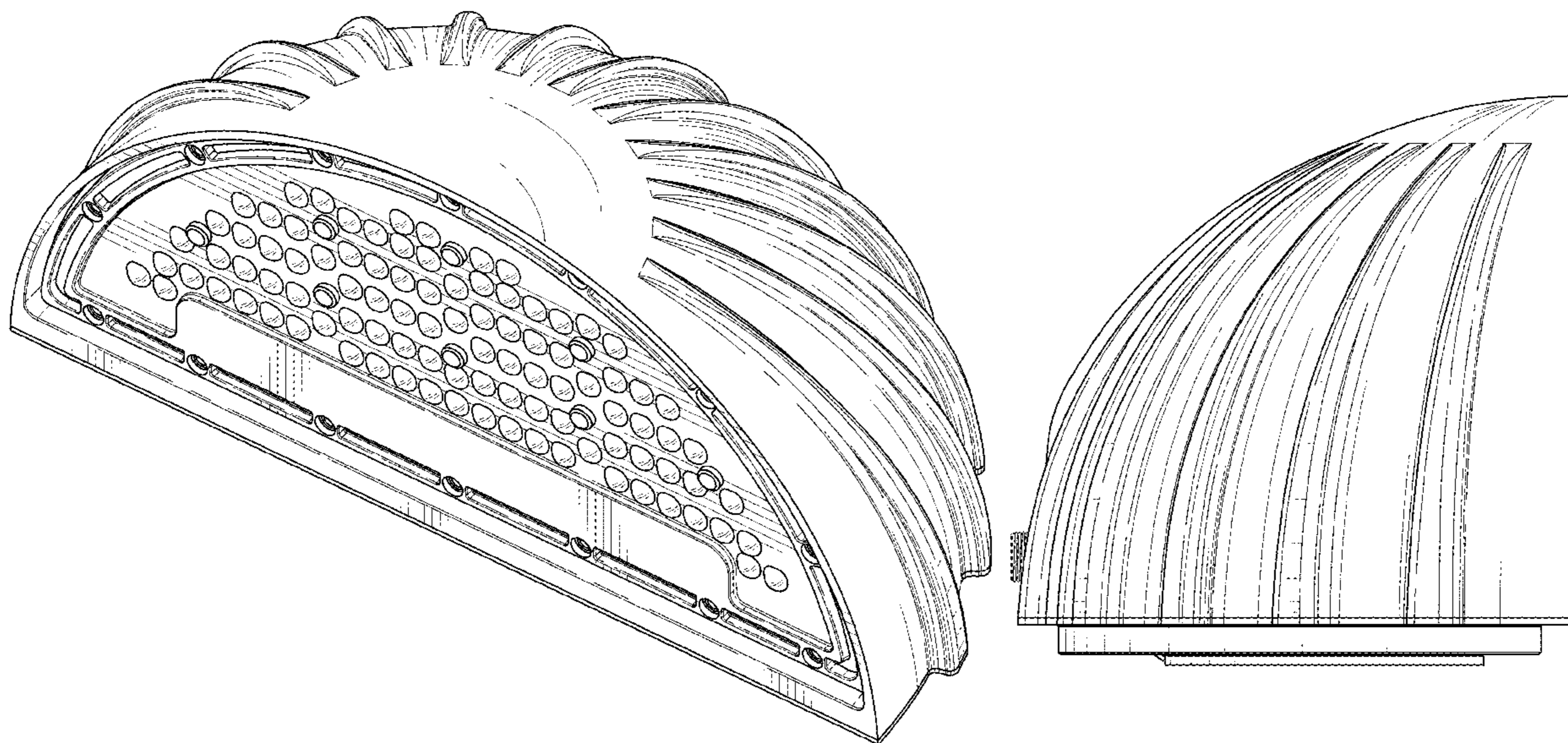
(57) **CLAIM**

The ornamental design for a full cut off LED wall pack light, as shown and described.

DESCRIPTION

FIG. 1 is a front perspective view of a full cut off LED wall pack light showing my new design.
FIG. 2 is a bottom plan view thereof;
FIG. 3 is a top plan view thereof;
FIG. 4 is a side view thereof;
FIG. 5 is an opposite side view thereof;
FIG. 6 is a front view thereof; and,
FIG. 7 is a rear view thereof.

1 Claim, 7 Drawing Sheets



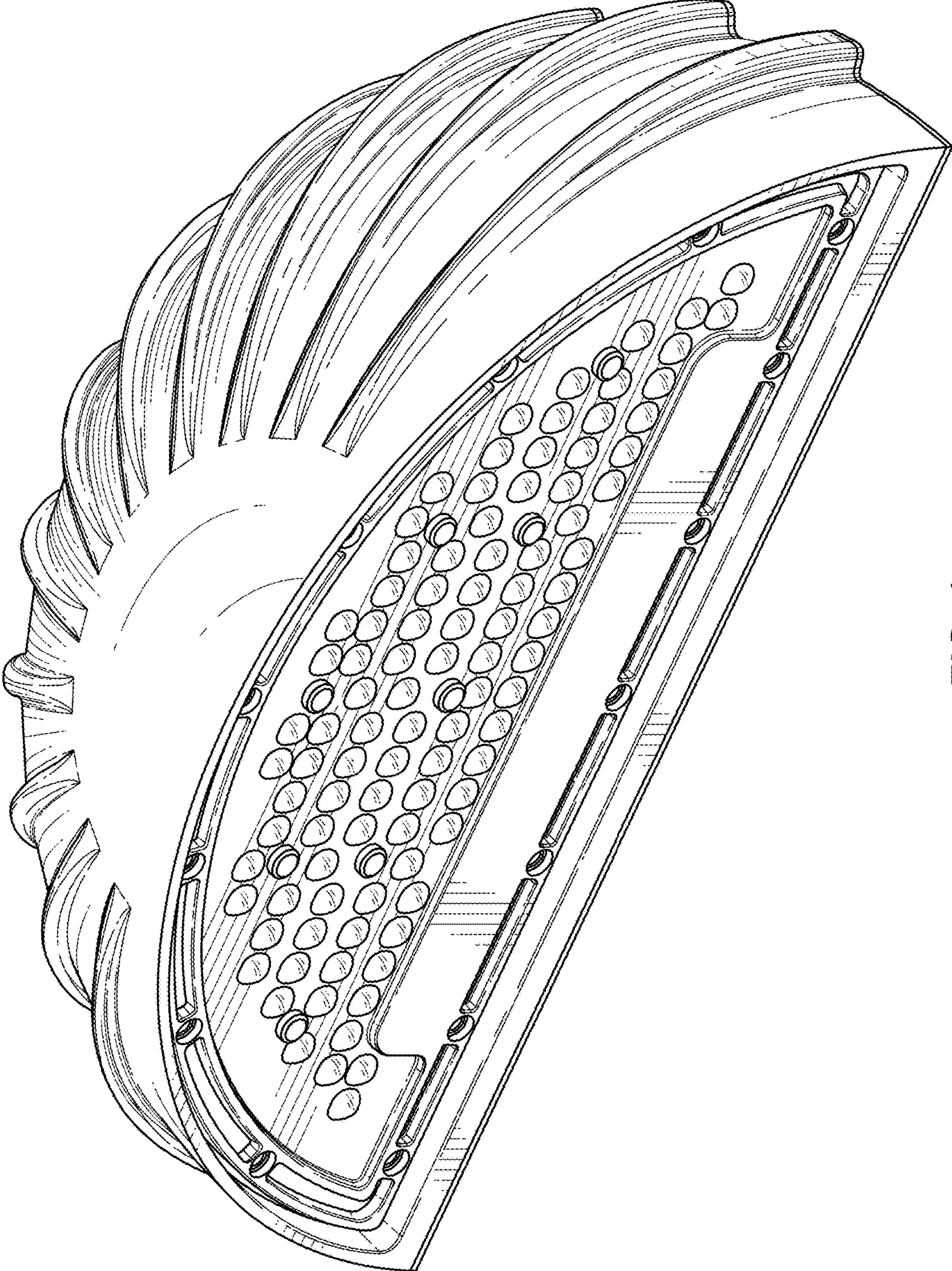


FIG. 1

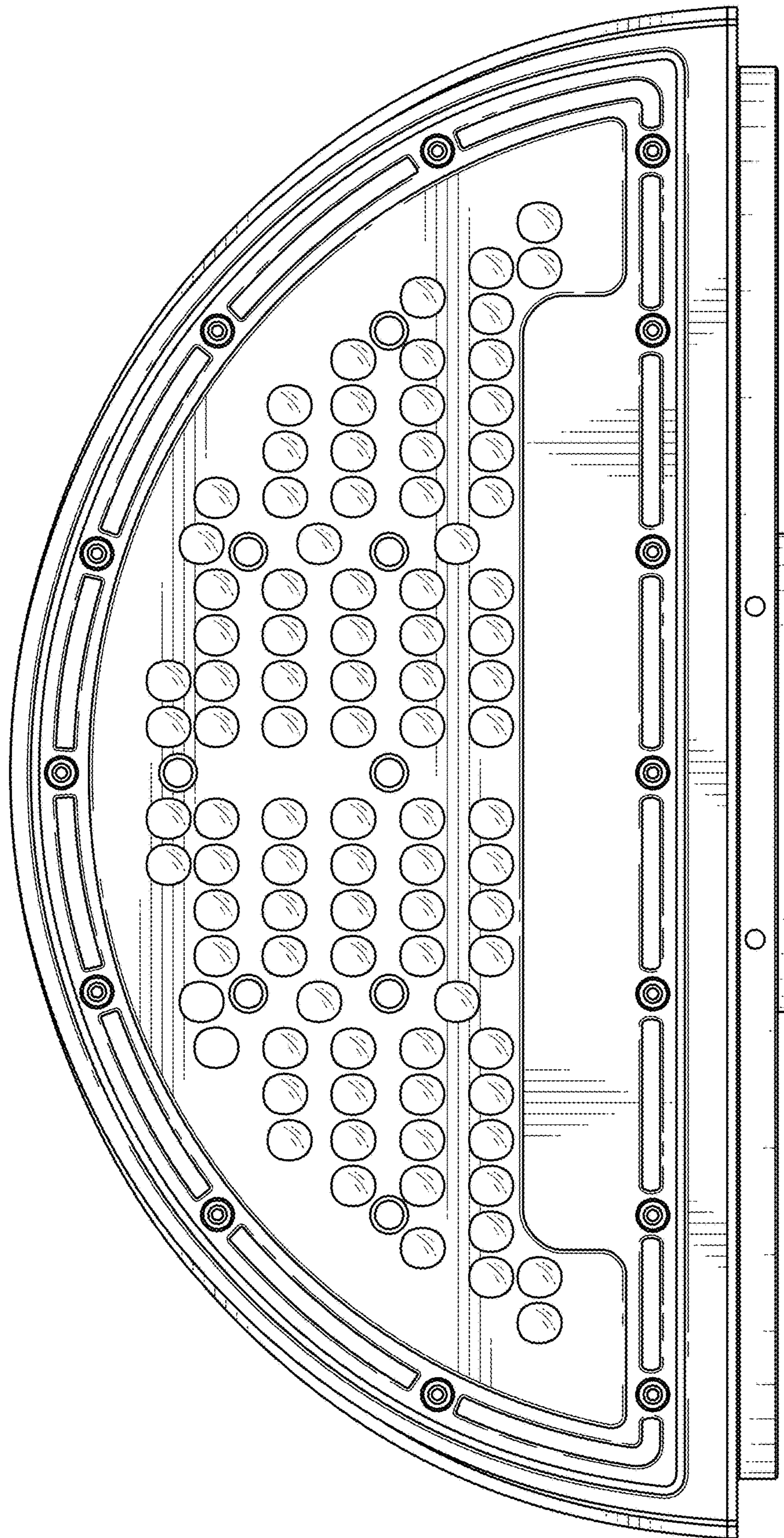


FIG. 2

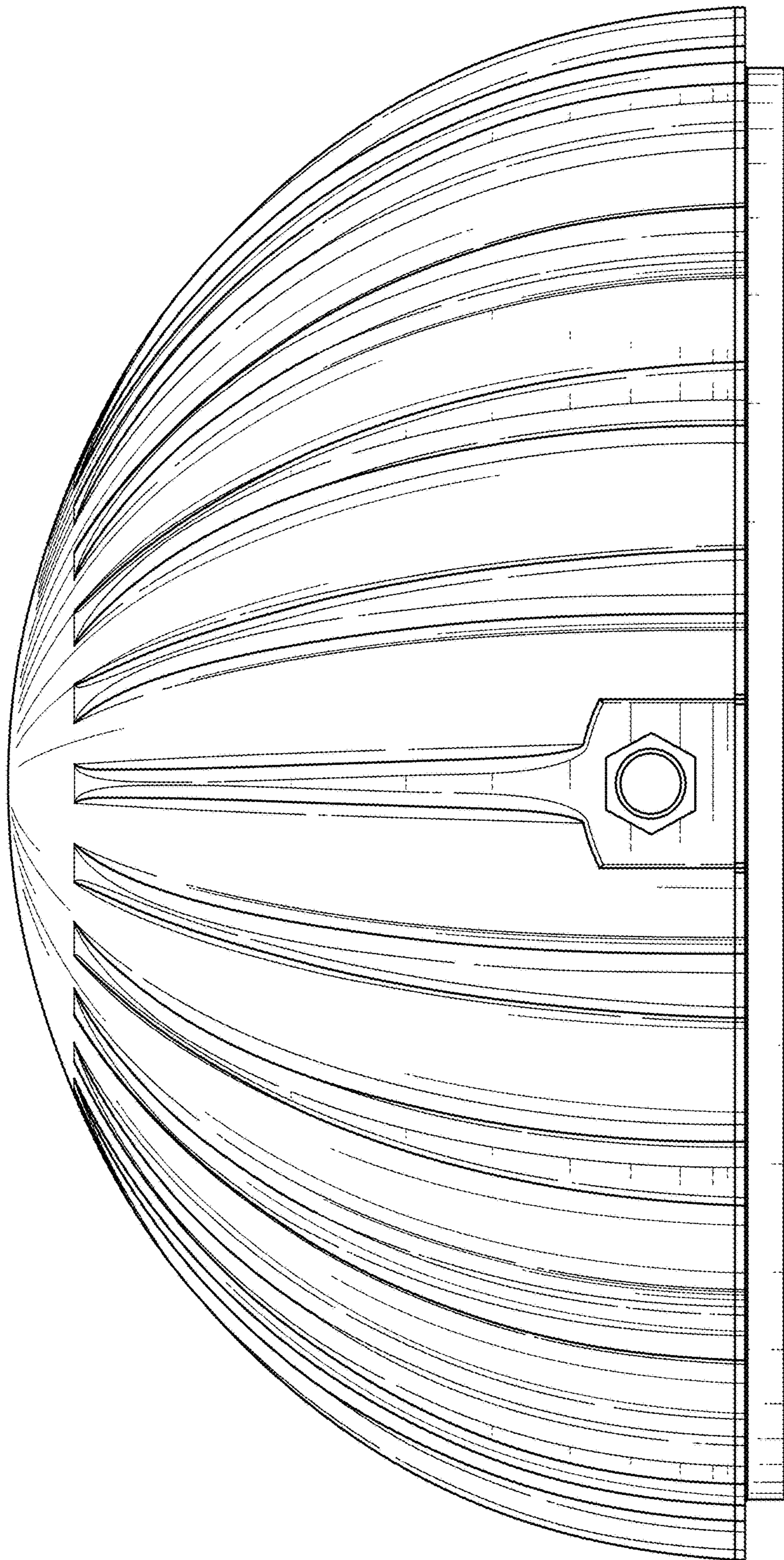


FIG. 3

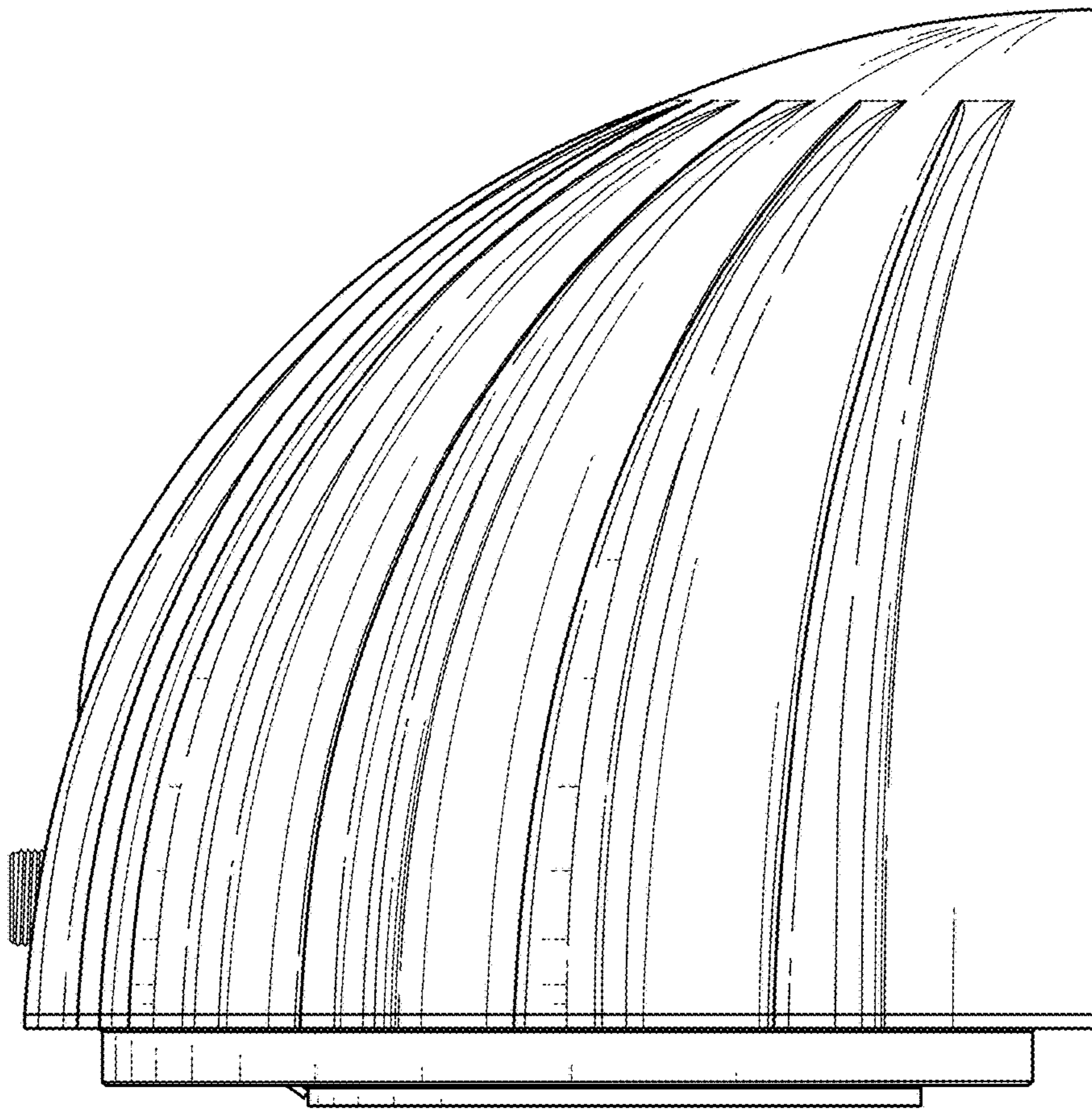


FIG. 4

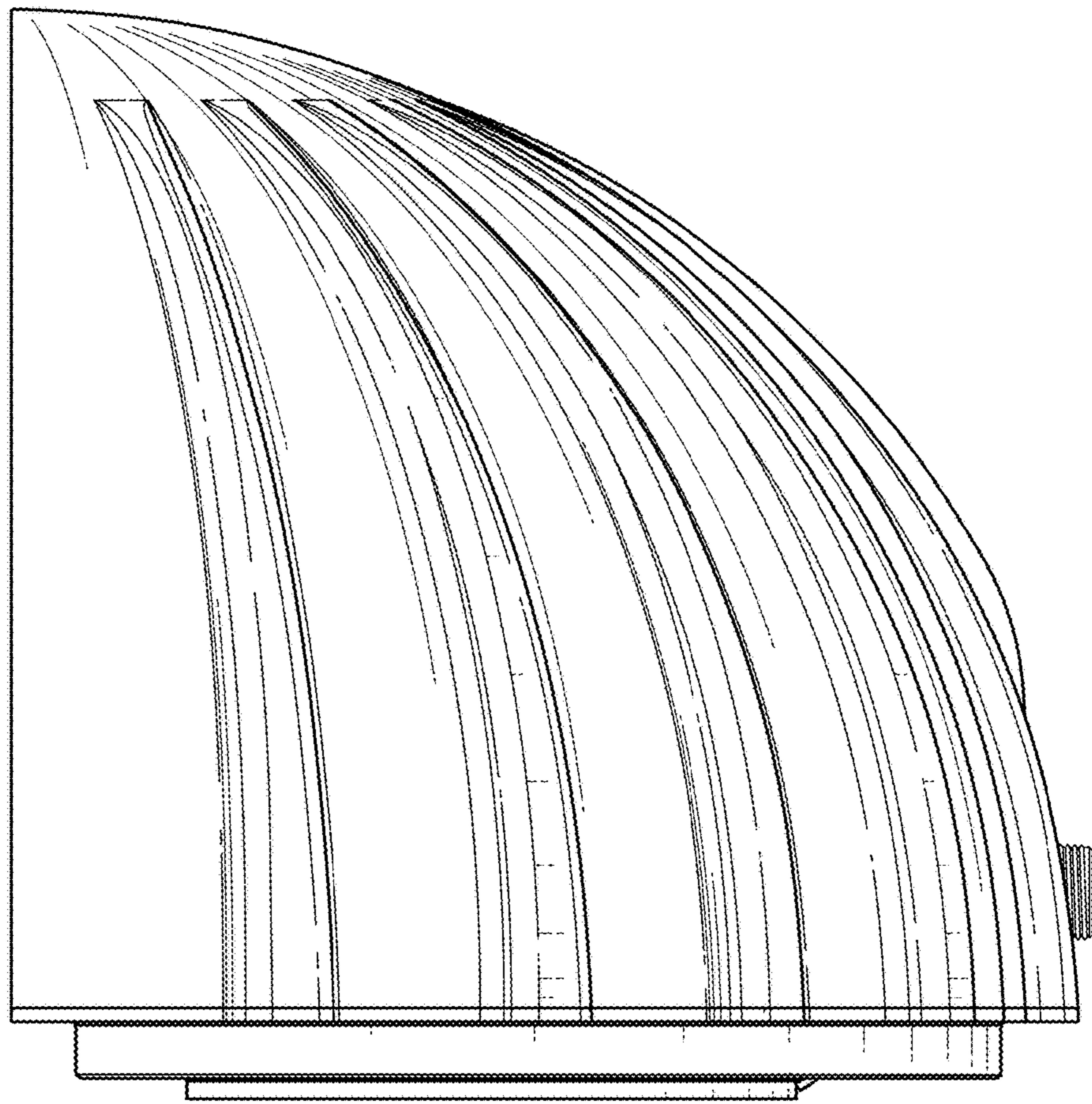


FIG. 5

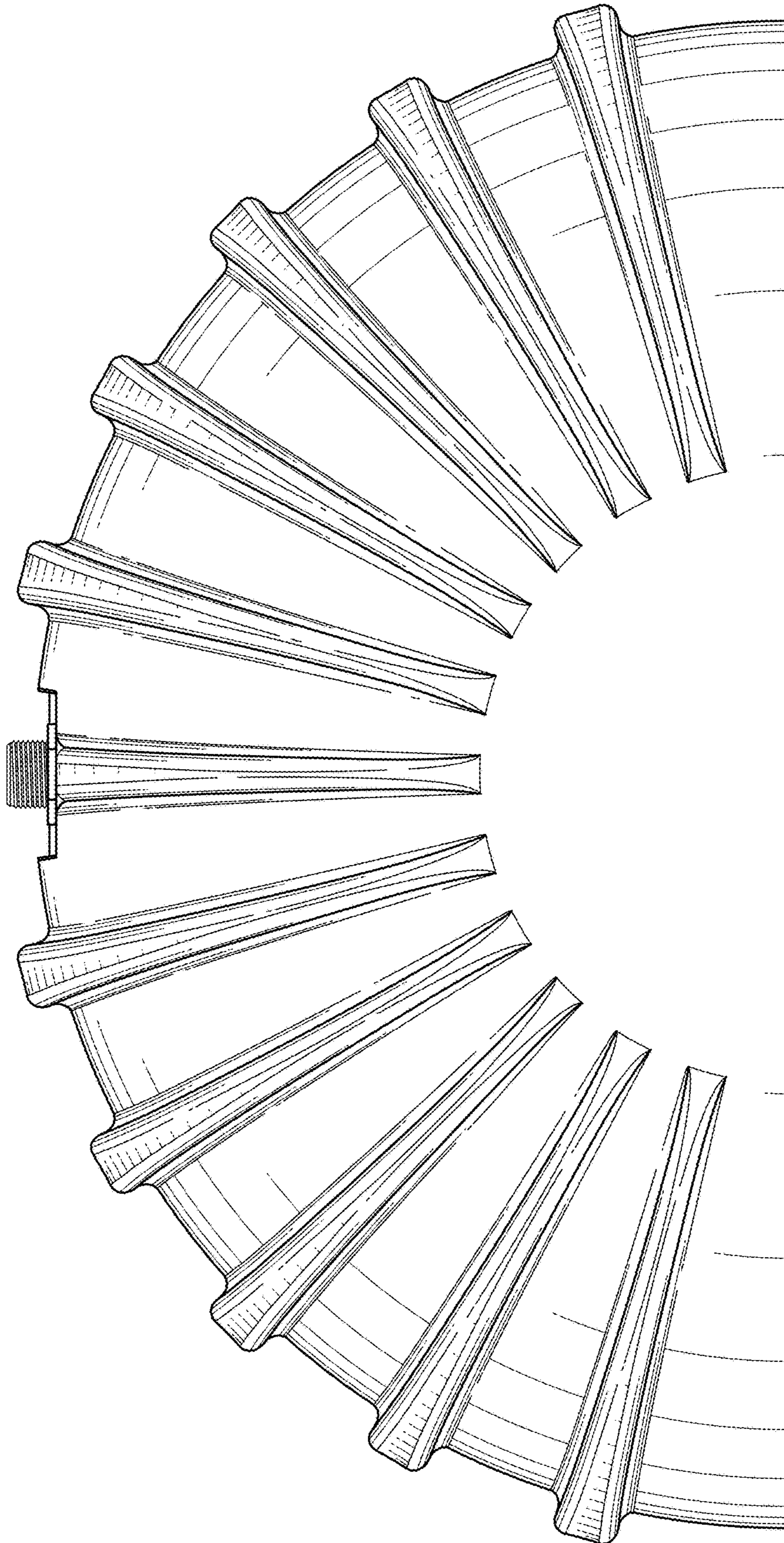


FIG. 6

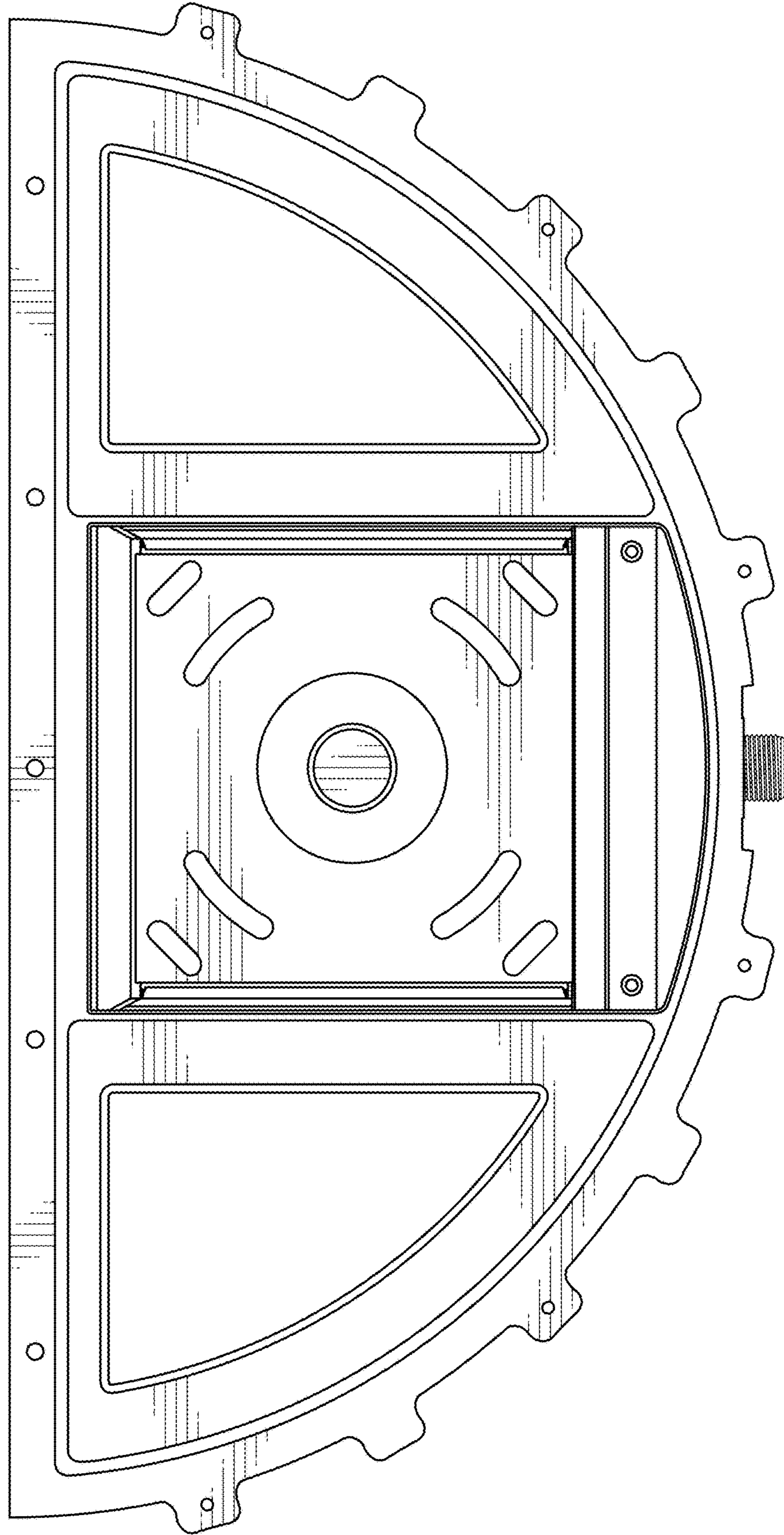


FIG. 7