



US00D808059S

(12) **United States Design Patent**
Li

(10) **Patent No.:** **US D808,059 S**
(45) **Date of Patent:** **** Jan. 16, 2018**

(54) **LIGHT BAR**

(71) Applicant: **SHENZHEN WANJIA LIGHTING CO., LTD.**, Shenzhen (CN)

(72) Inventor: **Fei Li**, Shenzhen (CN)

(73) Assignee: **SHENZHEN WANJIA LIGHTING CO., LTD.**, Shenzhen, Guangdong (CN)

(**) Term: **15 Years**

(21) Appl. No.: **29/544,158**

(22) Filed: **Oct. 30, 2015**

(51) **LOC (11) Cl.** **26-03**

(52) **U.S. Cl.**
USPC **D26/76**

(58) **Field of Classification Search**
USPC D26/71, 72, 75, 76, 78, 79, 80, 81, 82, D26/83, 85, 86, 88, 90, 113, 118, 119, D26/120, 121, 122, 138
CPC F21S 2/00; F21S 4/00; F21S 4/003; F21S 4/005; F21S 4/006; F21S 4/007; F21S 4/008; F21S 6/00; F21S 8/00; F21S 8/024; F21S 8/026; F21S 8/031; F21S 8/033; F21S 8/035-8/037; F21S 8/04; F21S 8/043; F21S 8/063

See application file for complete search history.

(56) **References Cited**

U.S. PATENT DOCUMENTS

D206,286 S * 11/1966 Ostyn D26/71
D520,667 S * 5/2006 Jae-Sung D26/25
D569,027 S * 5/2008 Hakamada D26/76

D662,245 S * 6/2012 Steffy D26/75
D663,065 S * 7/2012 Beghelli D26/76
D671,254 S * 11/2012 Miyatake D26/75
D693,514 S * 11/2013 Mueller D26/76
D695,443 S * 12/2013 Kaule D26/76
D701,343 S * 3/2014 Ng D26/76
D731,103 S * 6/2015 Wilke D26/72

* cited by examiner

Primary Examiner — George D. Kirschbaum

Assistant Examiner — Natasha Vujcic

(74) *Attorney, Agent, or Firm* — Hamre, Schumann, Mueller & Larson, P.C.

(57) **CLAIM**

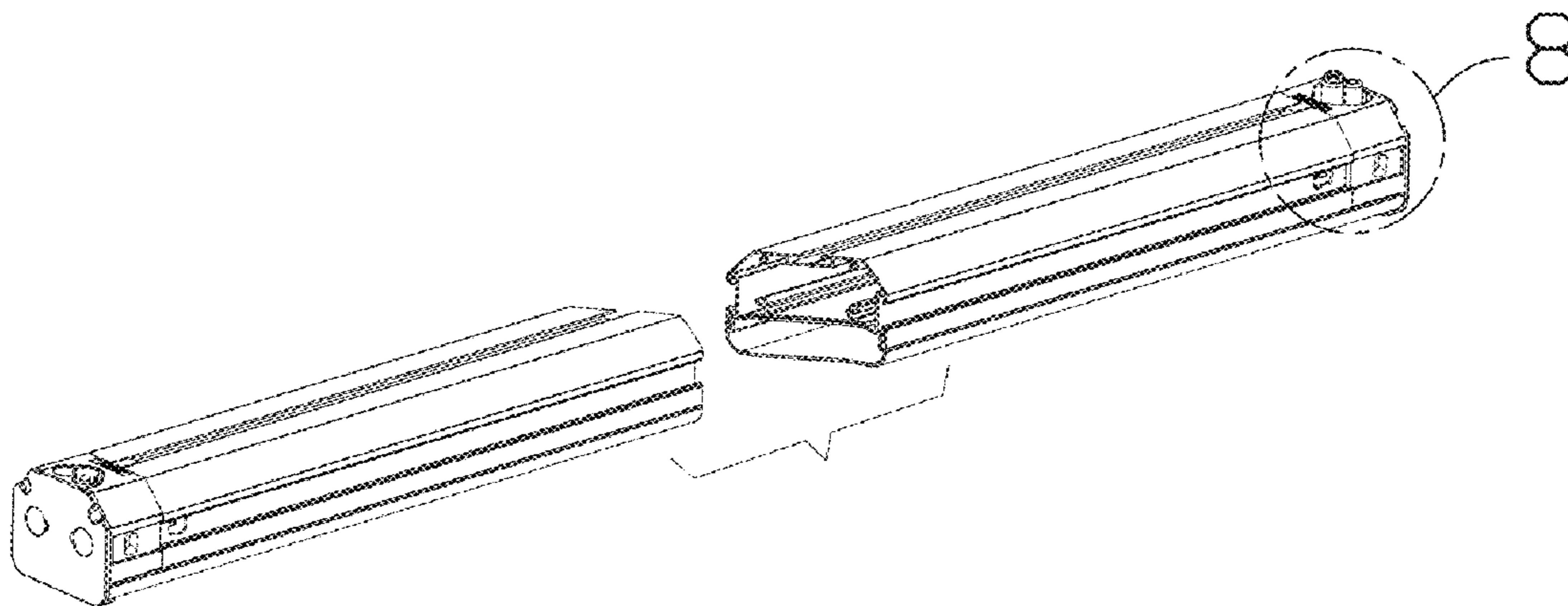
The ornamental design for a “light bar,” as illustrated and described.

DESCRIPTION

FIG. 1 is a perspective view of the light bar; FIG. 2 is a front view of the light bar of FIG. 1; FIG. 3 is a rear view of the light bar of FIG. 1; FIG. 4 is a left side view of the light bar of FIG. 1; FIG. 5 is a right side view of the light bar of FIG. 1; FIG. 6 is a top view of the light bar of FIG. 1; FIG. 7 is a bottom view of the light bar of FIG. 1; FIG. 8 is an enlarged view of the circled area 8 shown in FIG. 1; and, FIG. 9 is an enlarged view of the circled area 9 shown in FIG. 6.

The broken lines in the drawings illustrate portions of the light bar which form no part of the claimed design. The break lines in the drawings indicate that the appearance of any portion of the light bar between the break lines forms no part of the claimed design.

1 Claim, 9 Drawing Sheets



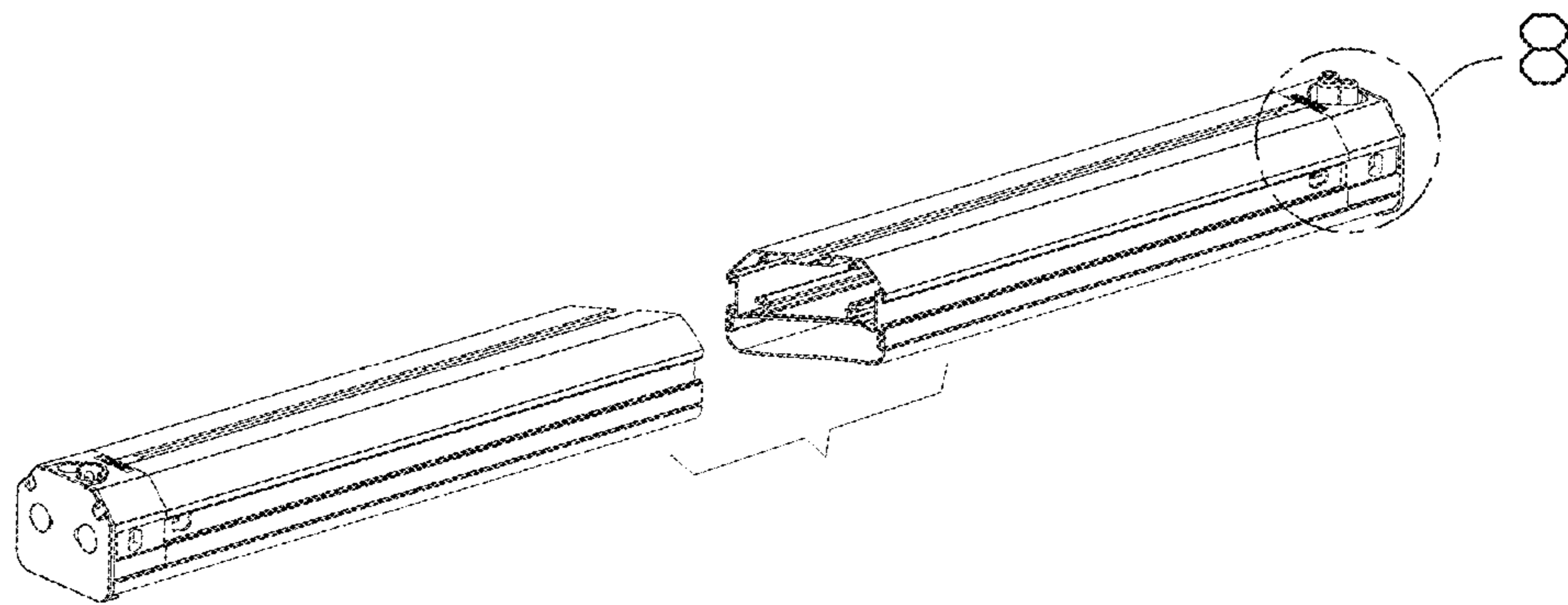


FIG.1

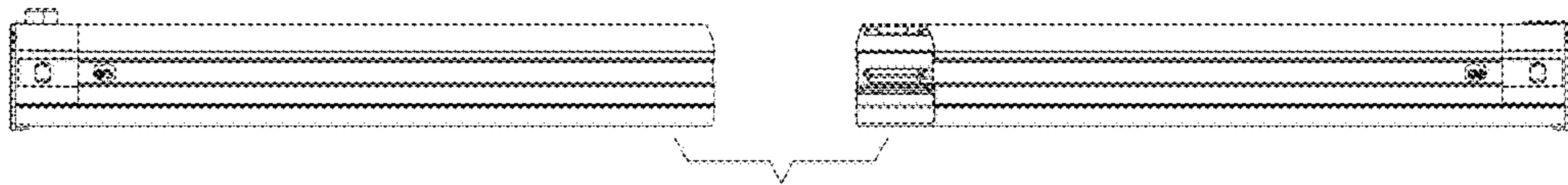


FIG.2

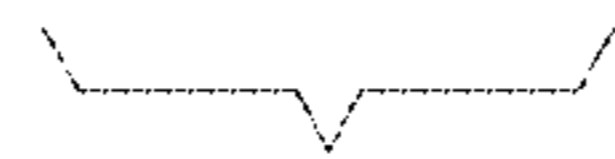
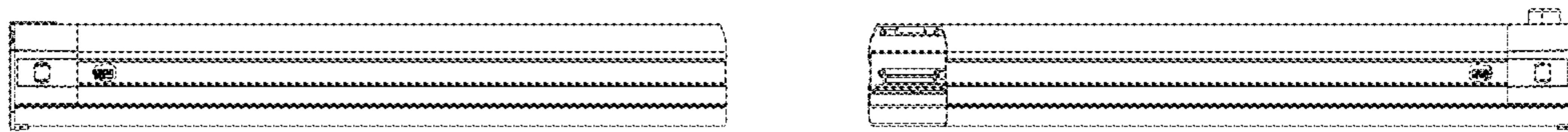


FIG.3

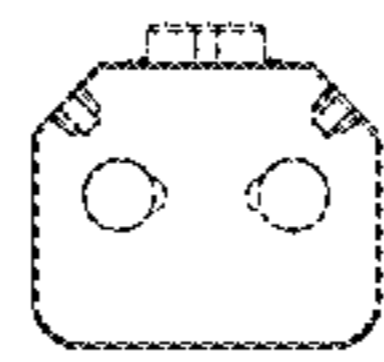


FIG.4

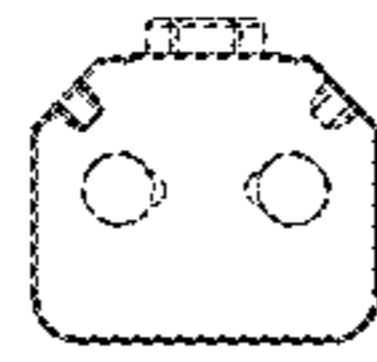


FIG.5

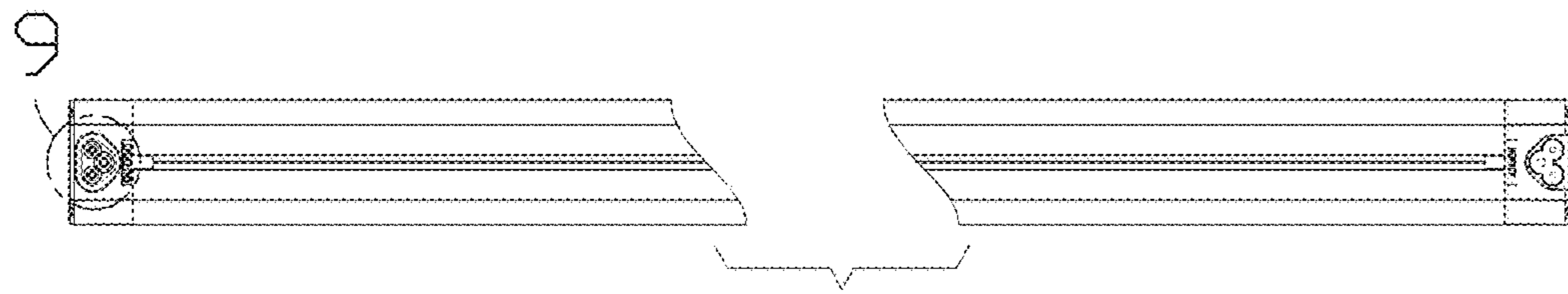


FIG.6

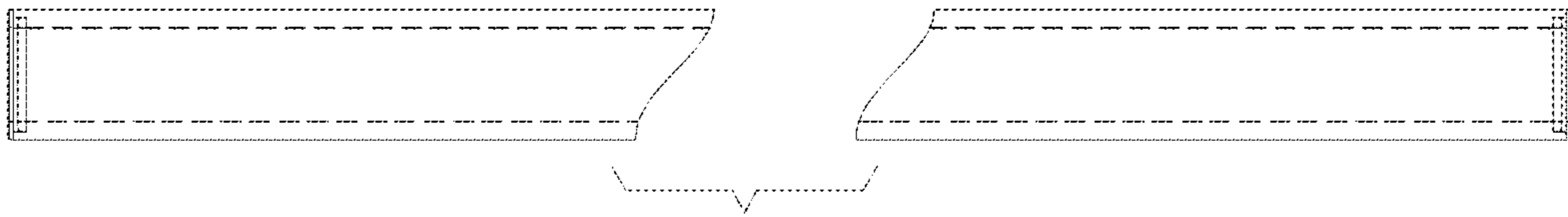


FIG. 7

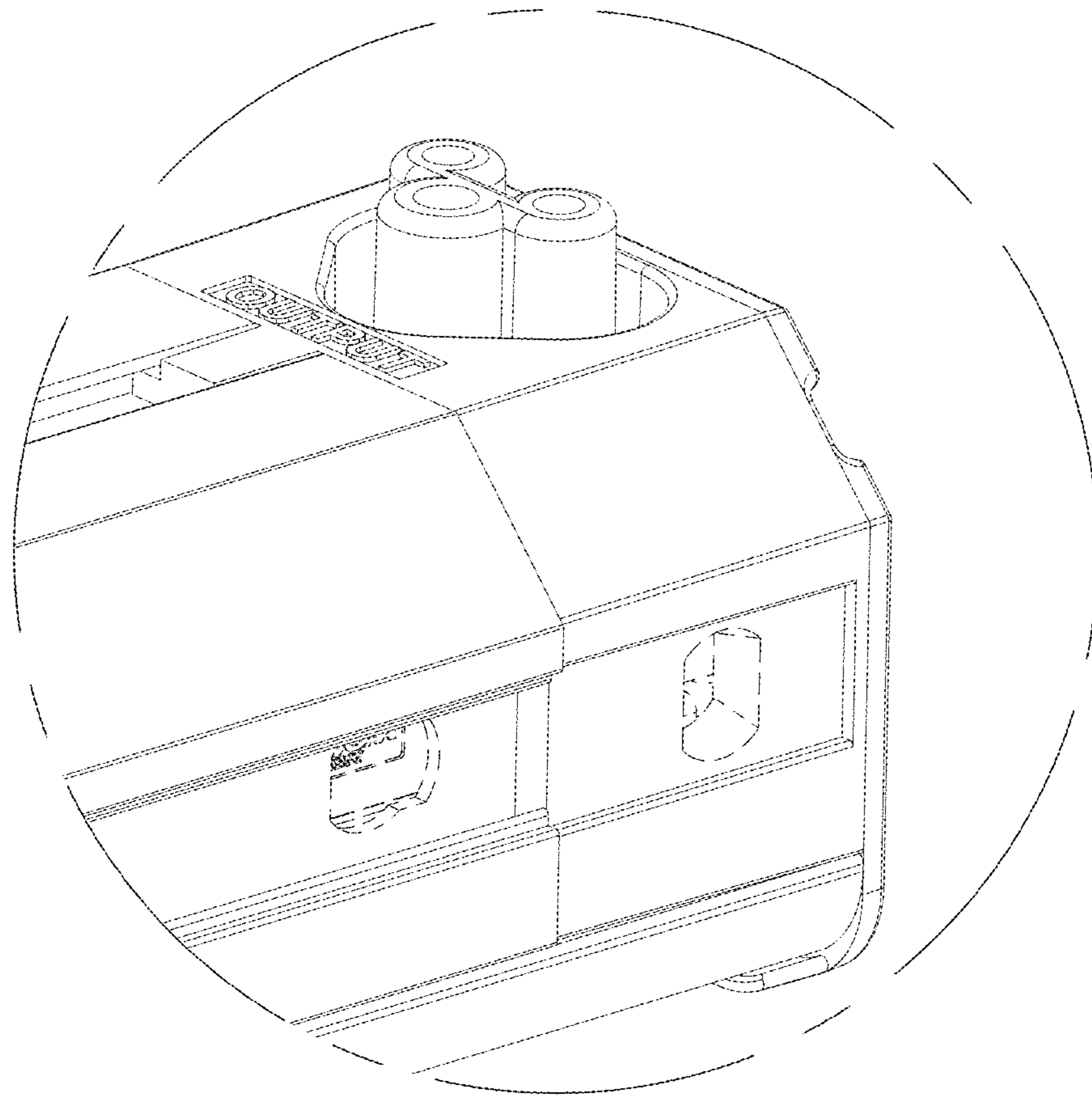


FIG. 8

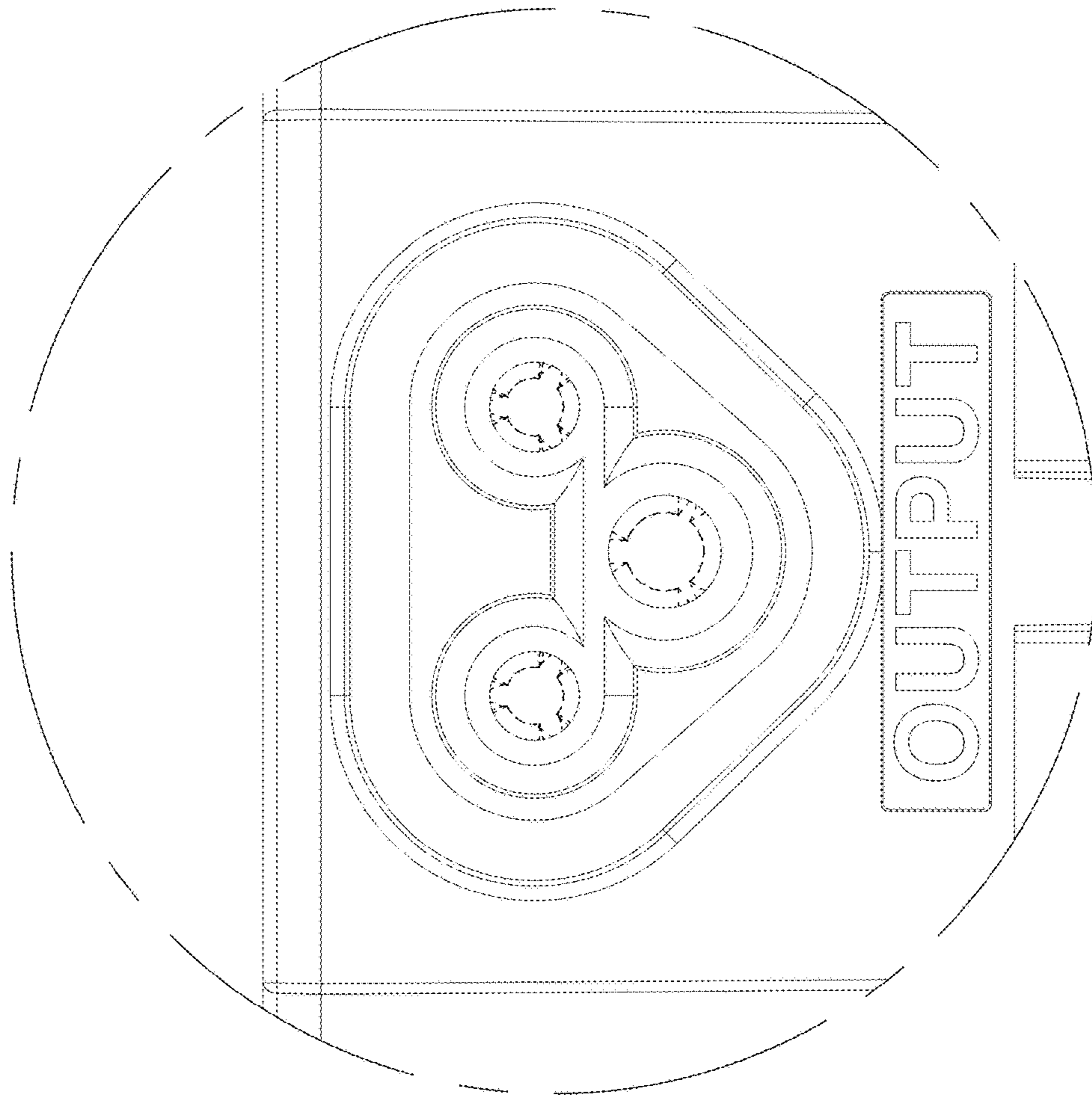


FIG. 9