



US00D808058S

(12) **United States Design Patent**  
**Johnson**

(10) **Patent No.:** **US D808,058 S**

(45) **Date of Patent:** **\*\* Jan. 16, 2018**

(54) **DOWNLIGHT**

(71) Applicant: **AURORA LIMITED**, St. Albans (GB)

(72) Inventor: **Andrew Johnson**, St Albans (GB)

(73) Assignee: **Aurora Limited**, Welwyn Garden (GB)

(\*\*) Term: **15 Years**

(21) Appl. No.: **35/501,724**

(22) Filed: **Sep. 16, 2016**

(80) **Hague Agreement Data**

Int. Filing Date: **Aug. 18, 2016**

Int. Reg. No.: **DM/092834**

Int. Reg. Date: **Sep. 16, 2016**

Int. Reg. Pub. Date: **Oct. 14, 2016**

(51) **LOC (11) Cl.** ..... **26-05**

(52) **U.S. Cl.**  
USPC ..... **D26/74**

(58) **Field of Classification Search**

USPC ..... D26/74; D6/708

CPC .. F21S 6/002; F21S 6/005; F21S 10/00; F21S  
6/003; F21S 6/006

See application file for complete search history.

(56) **References Cited**

**U.S. PATENT DOCUMENTS**

D326,537 S \* 5/1992 Gattari ..... D26/74

D326,729 S \* 6/1992 Gattari ..... D26/74

D591,894 S *	5/2009	Flank .....	D26/74
D656,262 S *	3/2012	Yoshinobu .....	D26/74
D656,263 S *	3/2012	Ogawa .....	D26/74
D672,899 S *	12/2012	Van De Ven .....	D26/74
D679,044 S *	3/2013	Jeswani .....	D26/74
D691,315 S *	10/2013	Samson .....	D26/74
D700,387 S *	2/2014	Snell .....	D26/74
D705,472 S *	5/2014	Huh .....	D26/74
D710,047 S *	7/2014	Hildebrandt .....	D26/74
D714,989 S *	10/2014	Rowlette, Jr. ....	D26/74
D723,728 S *	3/2015	Jeswani .....	D26/74
D726,949 S *	4/2015	Redfern .....	D26/74
D762,906 S *	8/2016	Jeswani .....	D26/74
D769,501 S *	10/2016	Jeswani .....	D26/74
D778,483 S *	2/2017	Guzzini .....	D26/74
D778,484 S *	2/2017	Guzzini .....	D26/74

\* cited by examiner

*Primary Examiner* — Michael A Pratt

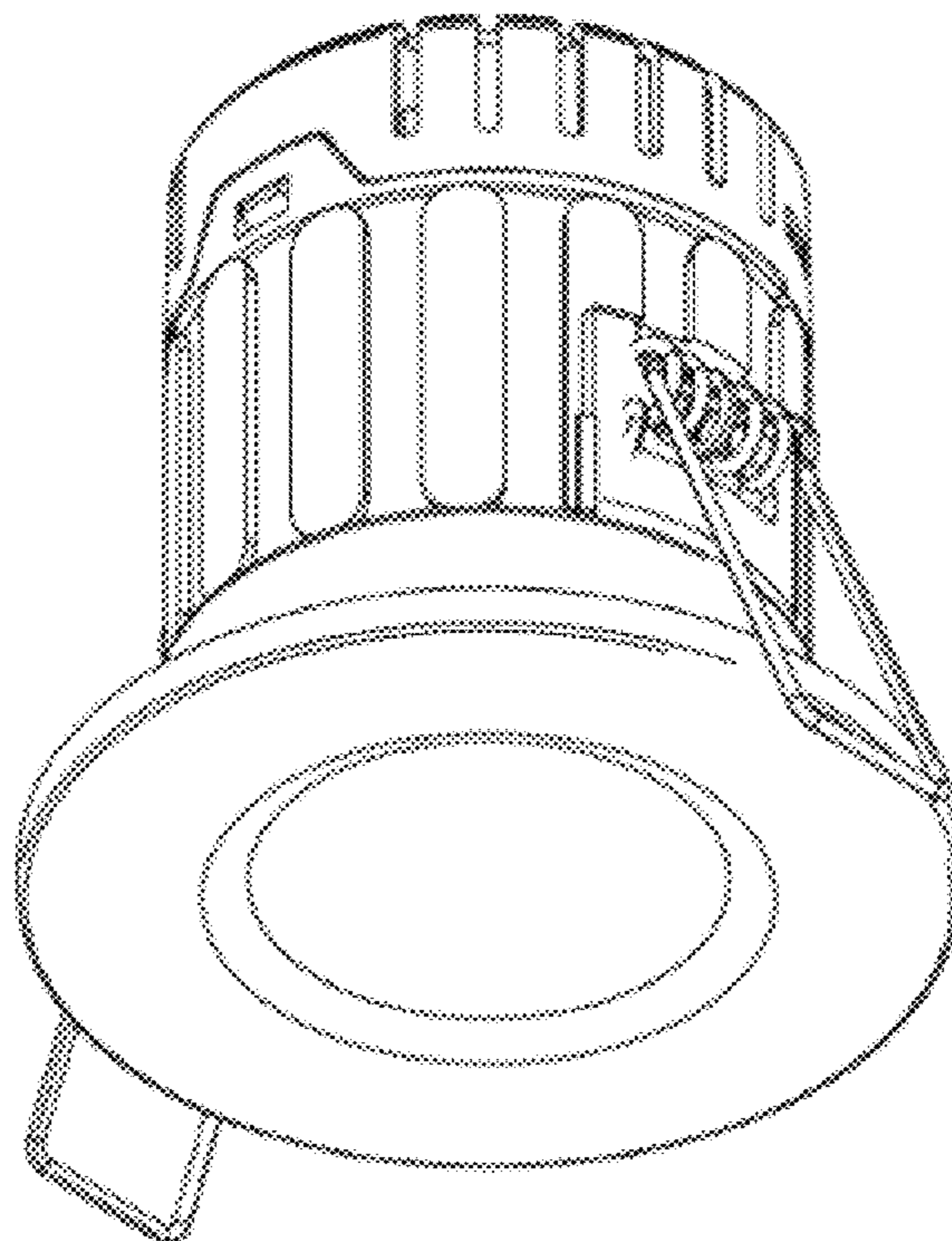
(57) **CLAIM**

The ornamental design for the downlight, as shown and described.

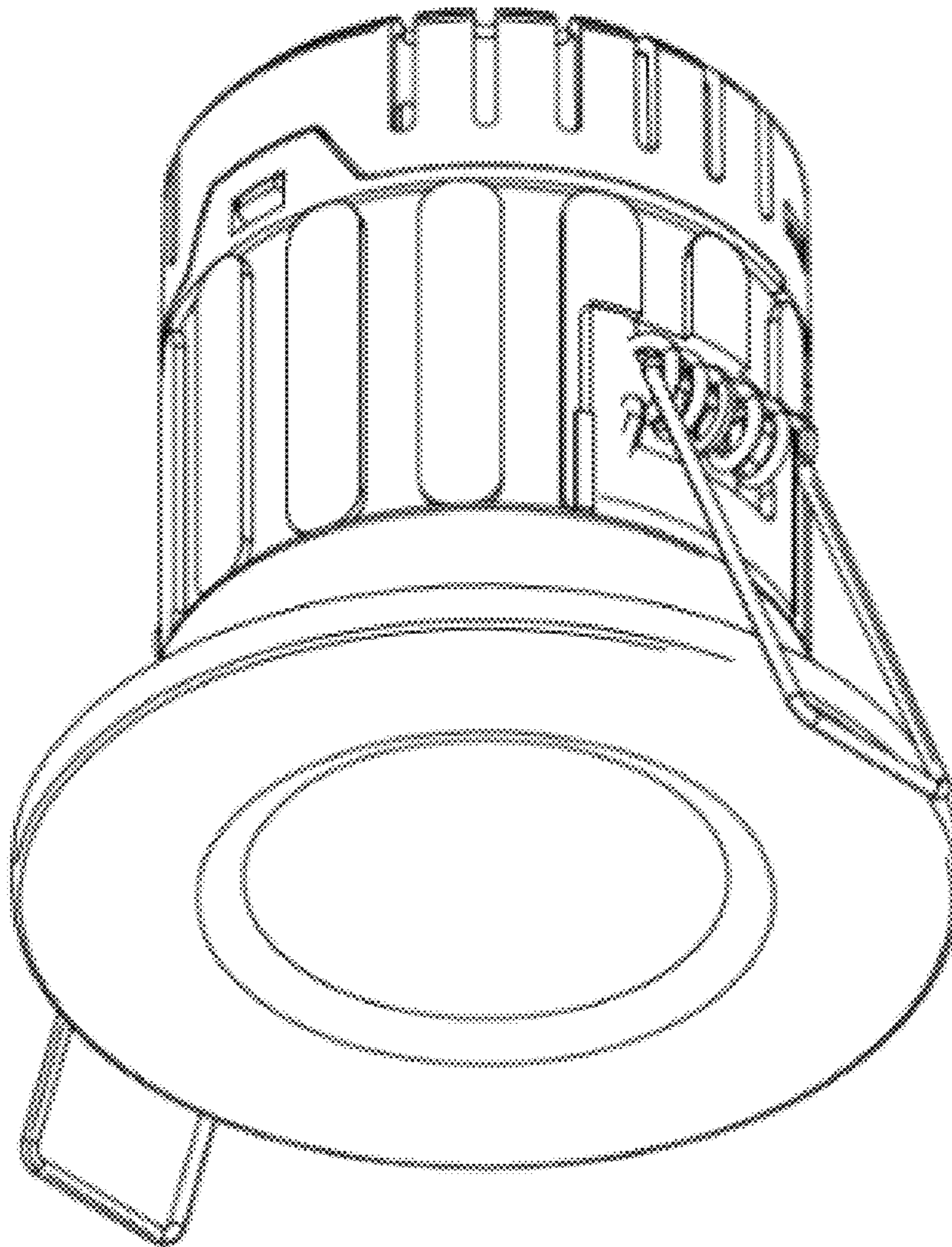
**DESCRIPTION**

- 1. Downlight
- 1.1 is a perspective view
- 1.2 is a bottom view
- 1.3 is a side view
- 1.4 is a perspective view
- 1.5 is another side view
- 1.6 is a top view

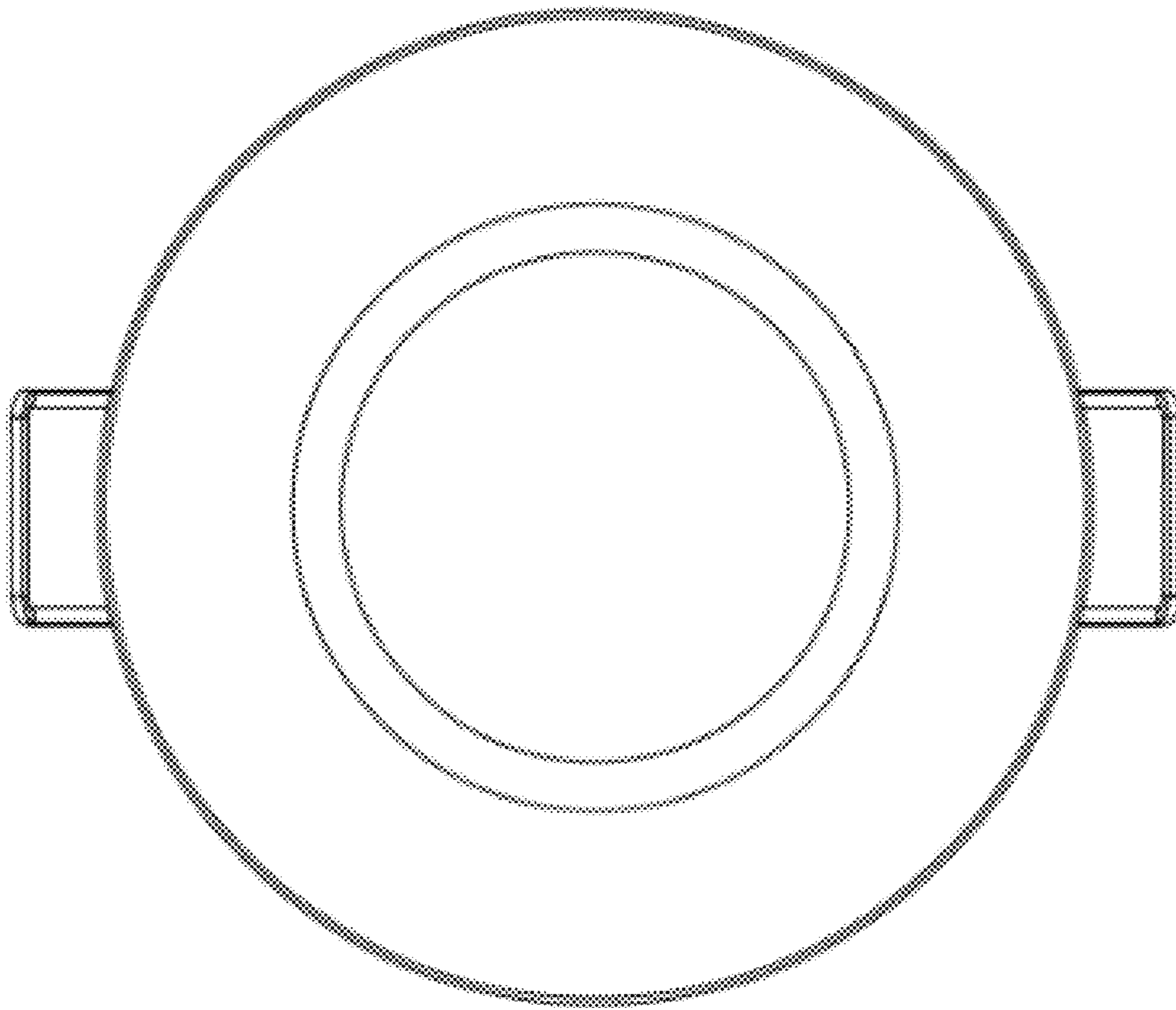
**1 Claim, 6 Drawing Sheets**



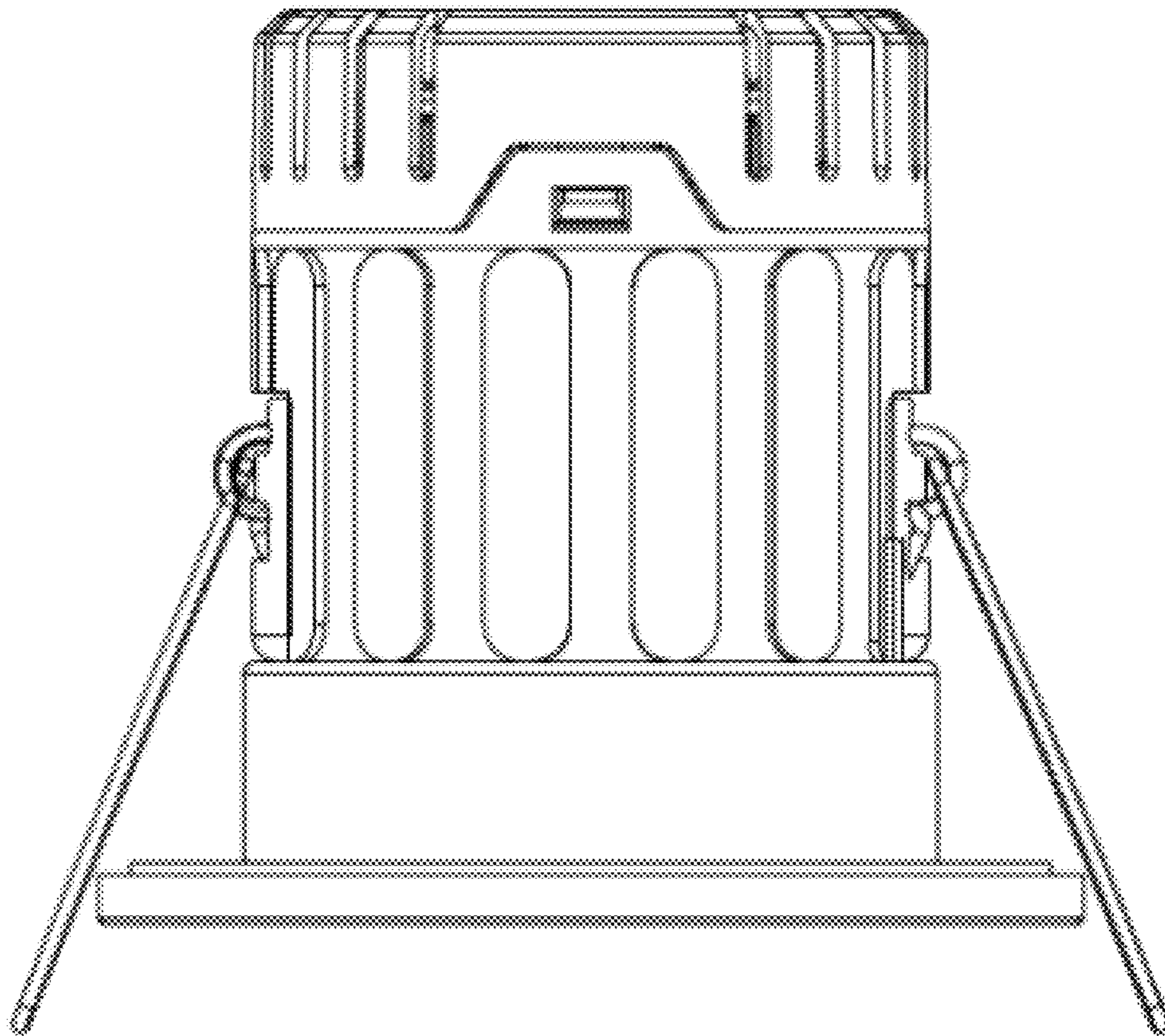
**1.1**



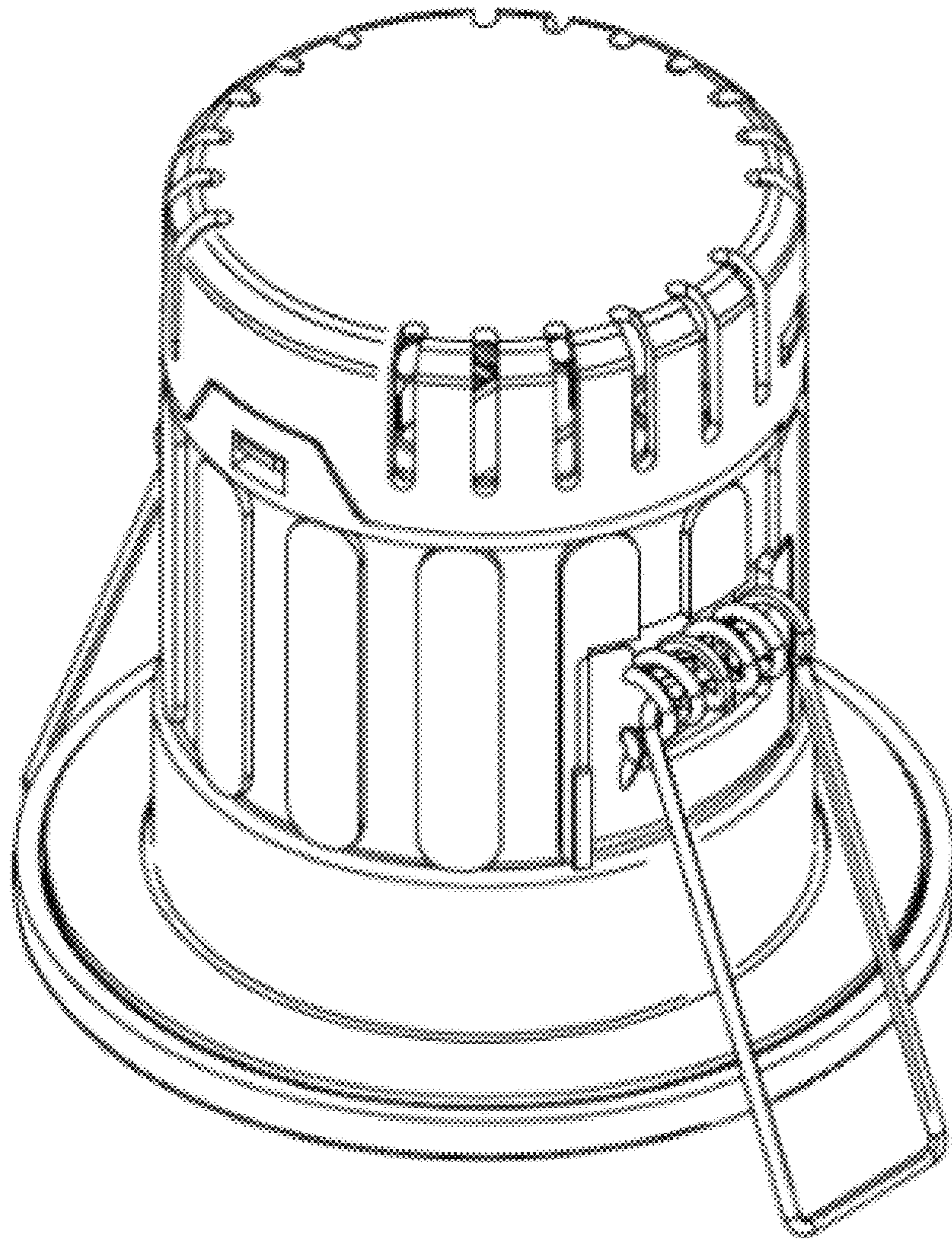
**1.2**



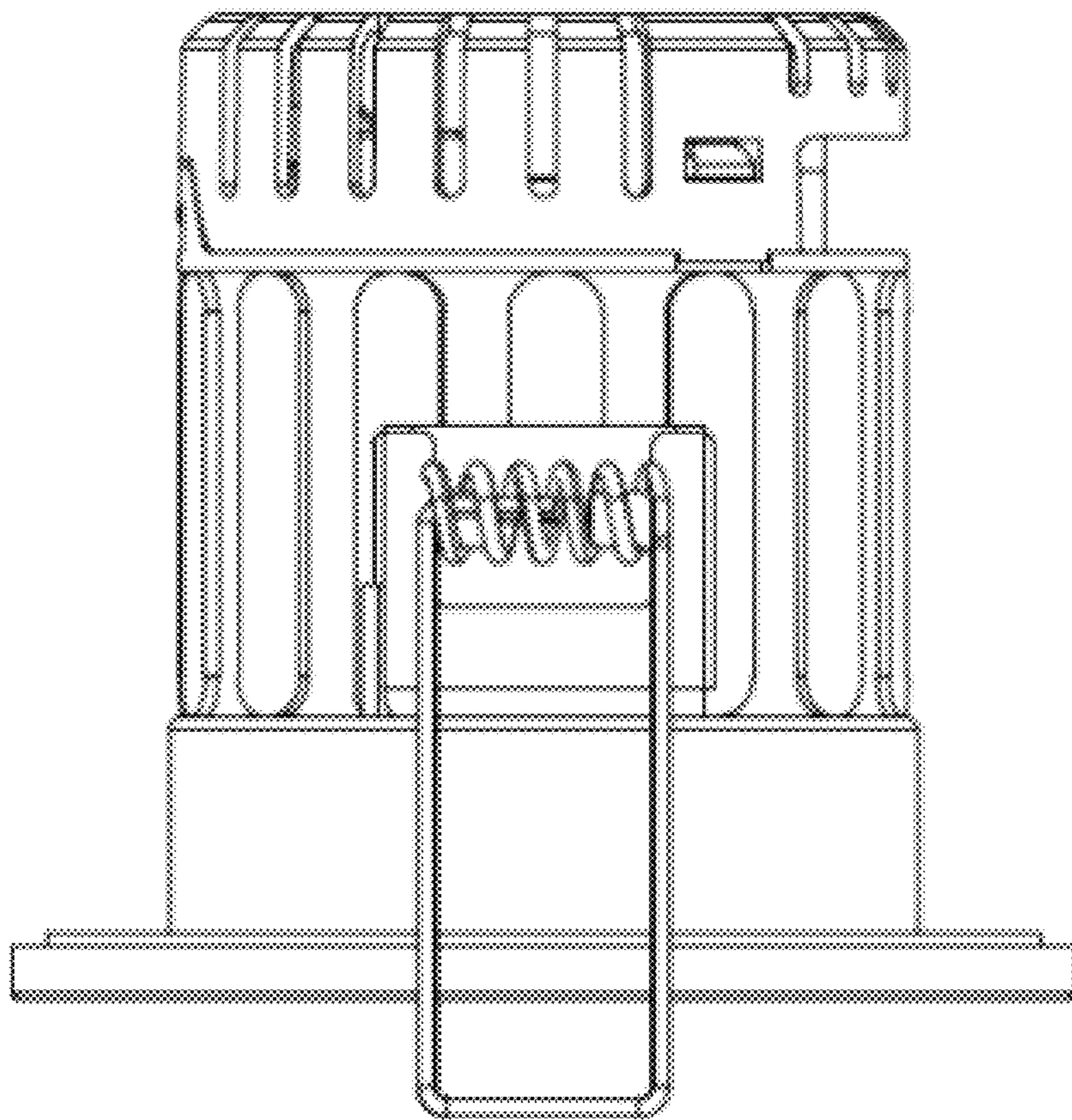
# 1.3



**1.4**



1.5



**1.6**

