



US00D808055S

(12) **United States Design Patent** (10) **Patent No.:** **US D808,055 S**  
**Van Roosmalen et al.** (45) **Date of Patent:** **\*\* Jan. 16, 2018**

(54) **LUMINAIRE**  
(71) Applicant: **PHILIPS LIGHTING HOLDING B.V.**, Eindhoven (NL)  
(72) Inventors: **Jozef Willebrordus Van Roosmalen**, Rotterdam (NL); **Ramon Wilhelmus Maria Janssen**, Eindhoven (NL)  
(73) Assignee: **PHILIPS LIGHTING HOLDING B.V.**, Eindhoven (NL)  
(\*\*) Term: **15 Years**  
(21) Appl. No.: **35/501,715**  
(22) Filed: **Sep. 7, 2016**  
(80) **Hague Agreement Data**  
Int. Filing Date: **Sep. 7, 2016**  
Int. Reg. No.: **DM/092810**  
Int. Reg. Date: **Sep. 7, 2016**  
Int. Reg. Pub. Date: **Oct. 14, 2016**  
(51) **LOC (11) Cl.** ..... **26-05**  
(52) **U.S. Cl.**  
USPC ..... **D26/71**  
(58) **Field of Classification Search**  
USPC ..... D26/63, 71, 92  
CPC .. F21S 8/033; F21S 8/036; F21S 8/085; F21S 8/086; F21V 21/30; F21W 2111/02  
See application file for complete search history.

(56) **References Cited**  
U.S. PATENT DOCUMENTS  
D647,237 S \* 10/2011 Su ..... D26/71  
D647,238 S \* 10/2011 Su ..... D26/71

D652,978 S \* 1/2012 Boissevain ..... D26/71  
D655,848 S \* 3/2012 Yu Chung Han ..... D26/85  
D656,660 S \* 3/2012 Henderson ..... D26/118  
D660,495 S \* 5/2012 Walker ..... D26/71  
D736,984 S \* 8/2015 Dal Ponte ..... D26/92  
D742,574 S \* 11/2015 Bembridge ..... D26/71  
D743,083 S \* 11/2015 Bembridge ..... D26/71  
D760,935 S \* 7/2016 Jurdana ..... D26/71  
D760,936 S \* 7/2016 Jurdana ..... D26/71  
D760,937 S \* 7/2016 Jurdana ..... D26/71  
D764,091 S \* 8/2016 Snell ..... D26/71  
D767,196 S \* 9/2016 Duckworth ..... D26/92  
D771,855 S \* 11/2016 Dal Ponte ..... D26/71  
D771,856 S \* 11/2016 Novak ..... D26/71  
D771,857 S \* 11/2016 Novak ..... D26/71  
D776,859 S \* 1/2017 Duckworth ..... D26/92  
D780,981 S \* 3/2017 Dal Ponte ..... D26/92  
D781,482 S \* 3/2017 McCracken, Jr. .... D26/71  
D781,483 S \* 3/2017 McCracken ..... D26/71

\* cited by examiner

Primary Examiner — Michael A Pratt

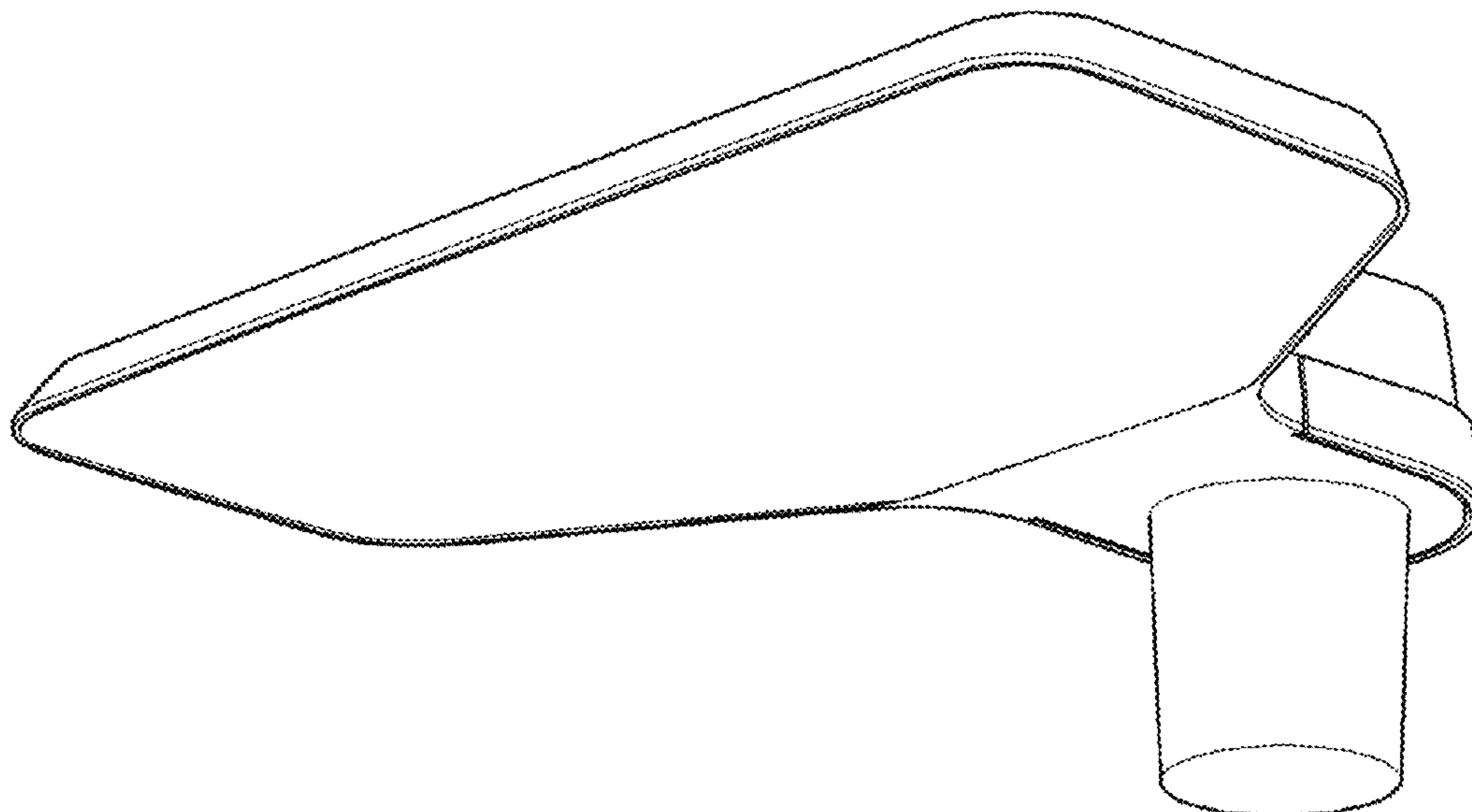
(57) **CLAIM**

The ornamental design for a luminaire, as shown and described.

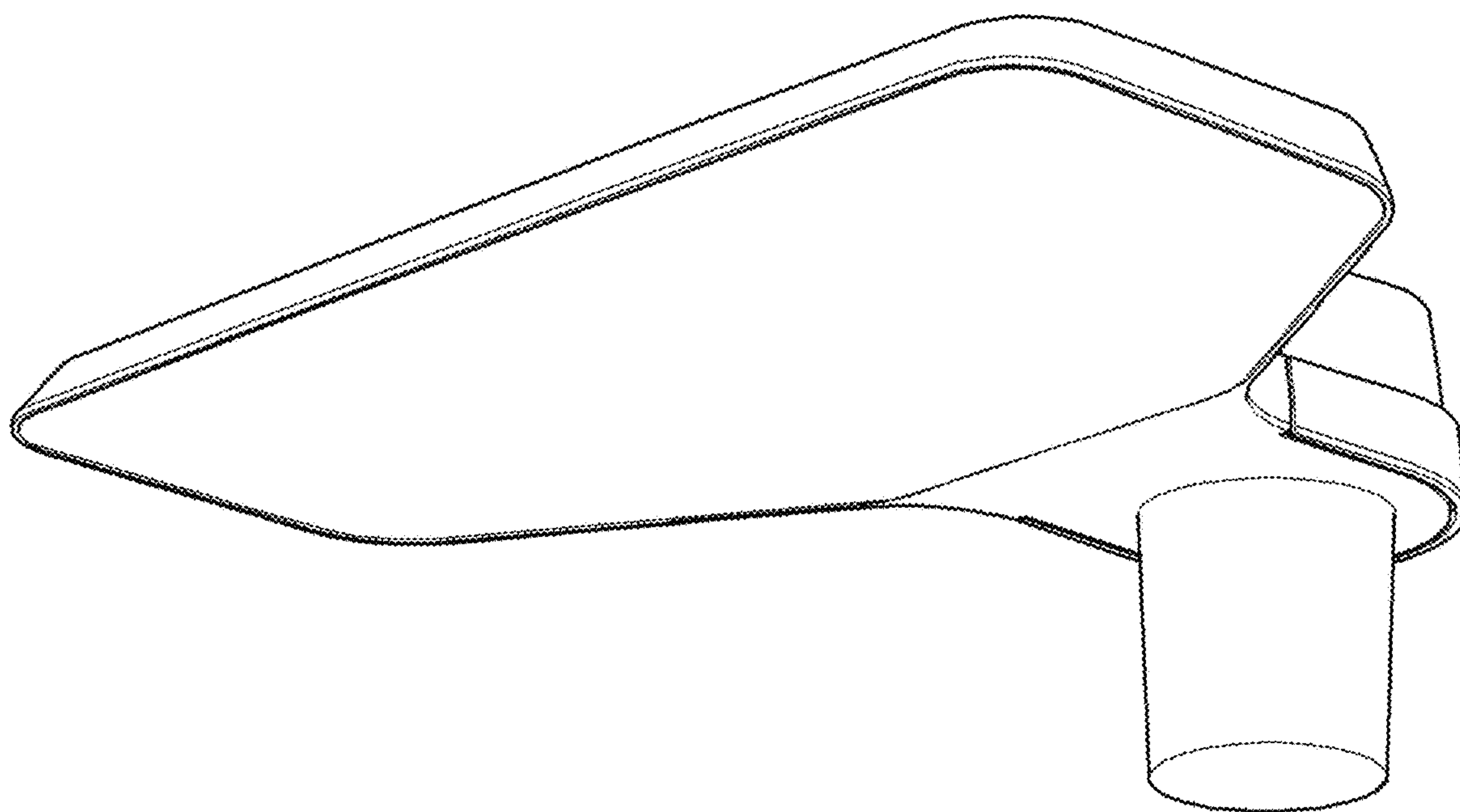
**DESCRIPTION**

- 1. Luminaire
- 1.1 : Perspective
- 1.2 : Front
- 1.3 : Back
- 1.4 : Left
- 1.5 : Right
- 1.6 : Top
- 1.7 : Bottom

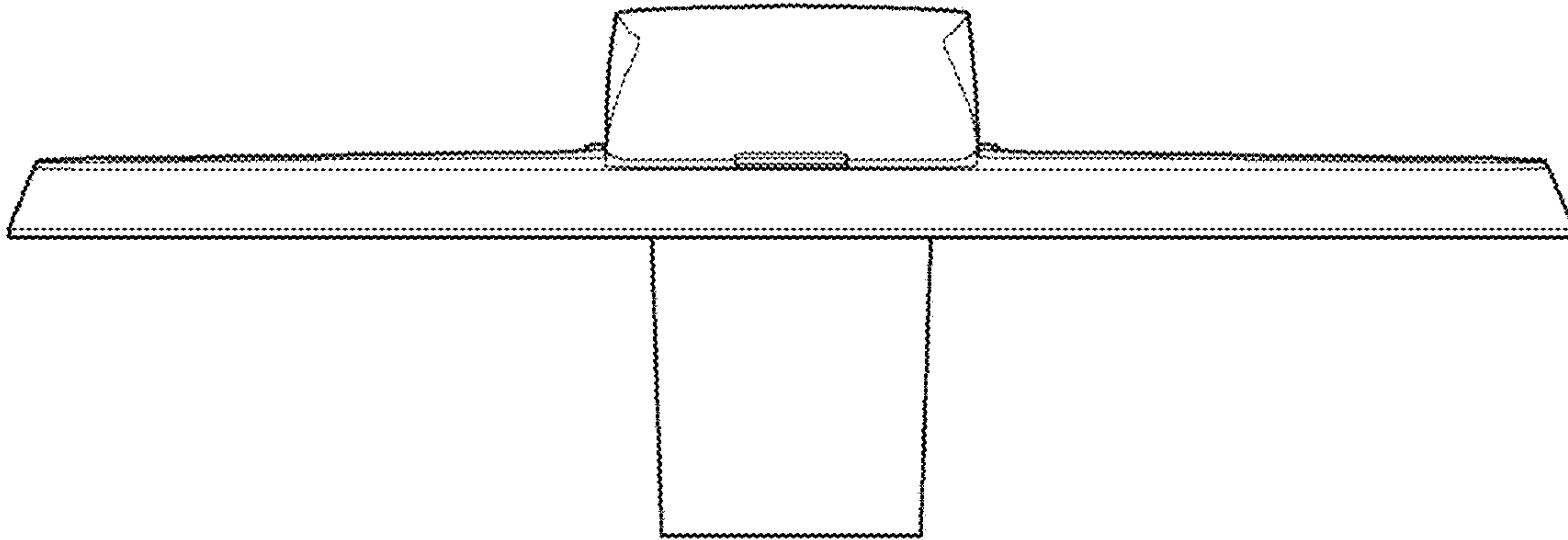
**1 Claim, 7 Drawing Sheets**



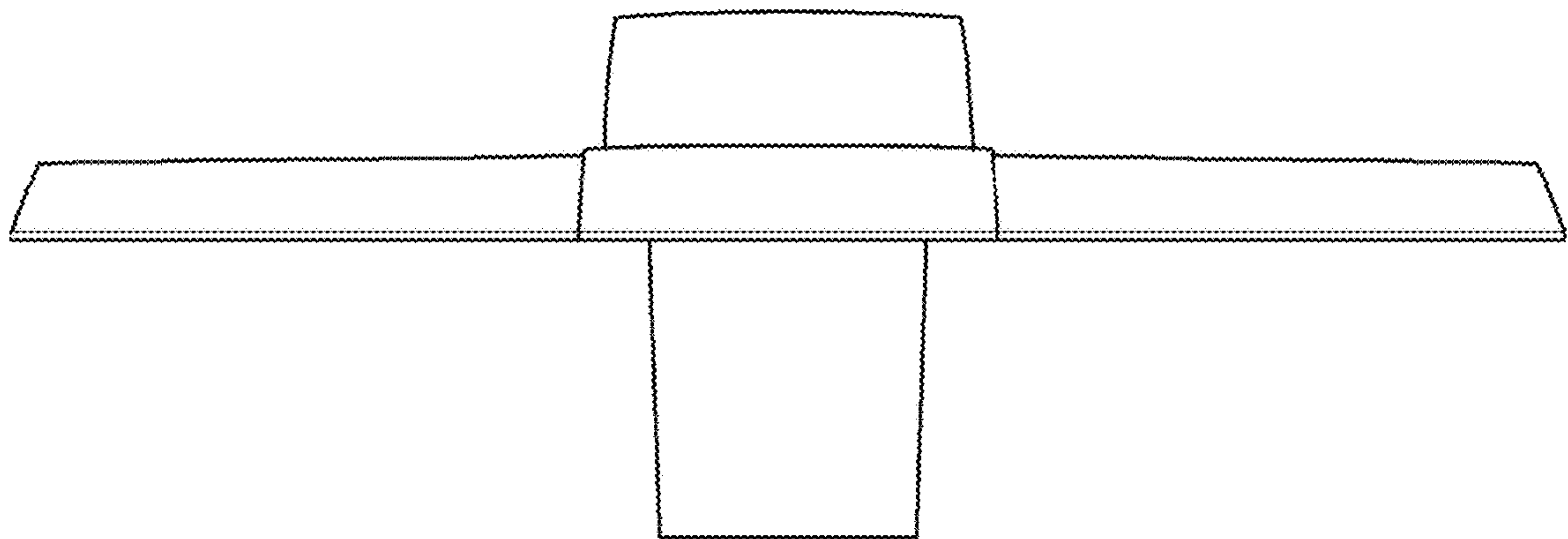
1.1



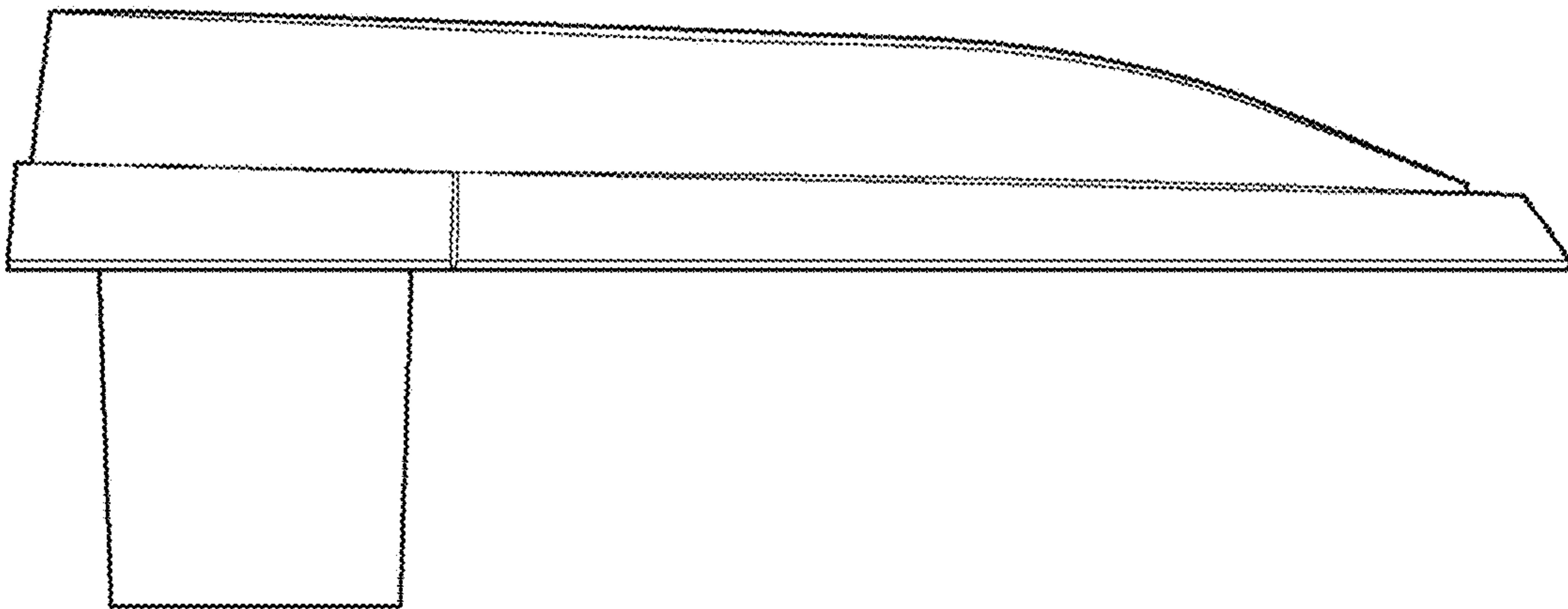
1.2



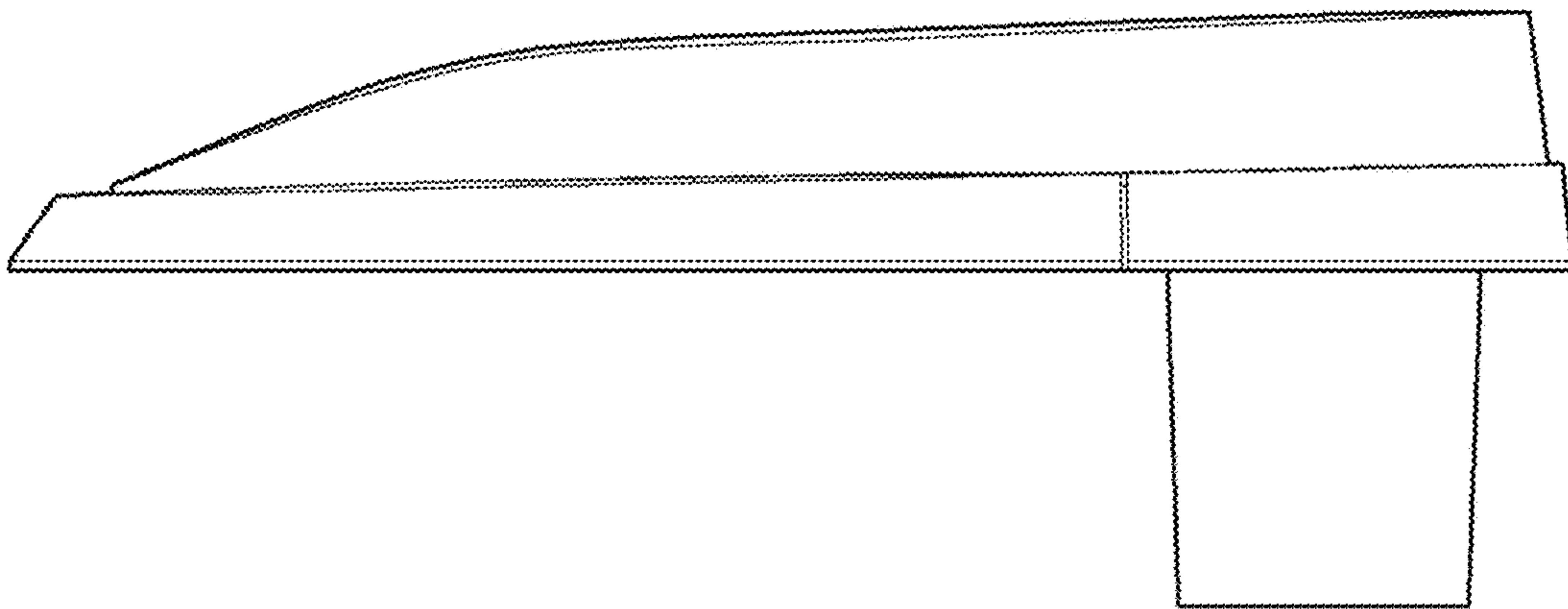
1.3



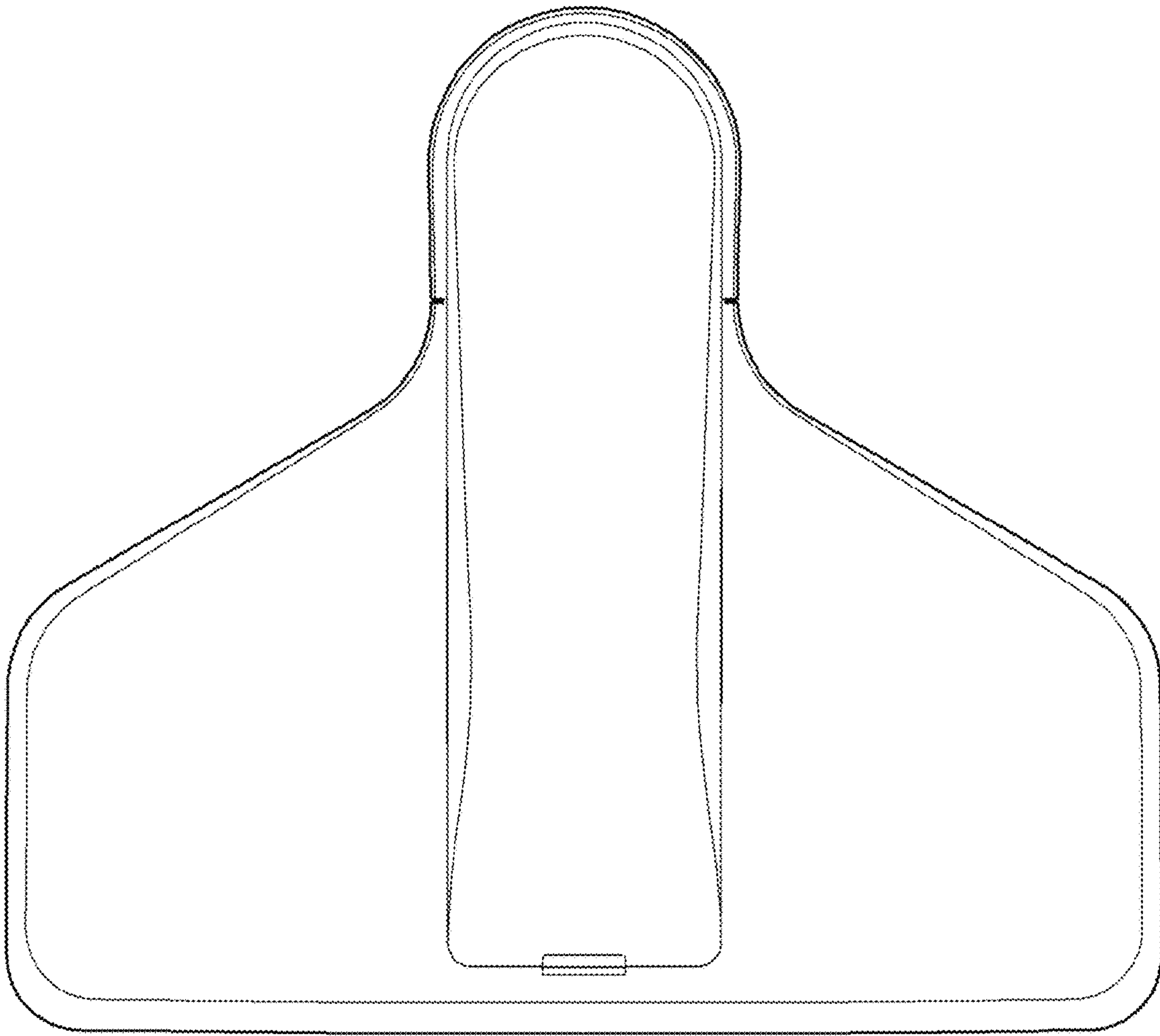
1.4



1.5



1.6



1.7

