



US00D808051S

(12) **United States Design Patent** (10) **Patent No.:** **US D808,051 S**
Reiner (45) **Date of Patent:** **** Jan. 16, 2018**

(54) **HAND LAMP**

(71) Applicant: **Schneider Electric Industries SAS**,
Rueil-Malmaison (FR)

(72) Inventor: **Guillaume Reiner**, Grenoble (FR)

(73) Assignee: **Schneider Electric Industries SAS**,
Rueil Malmaison (FR)

(**) Term: **14 Years**

(21) Appl. No.: **29/484,006**

(22) Filed: **Mar. 5, 2014**

(51) **LOC (11) Cl.** **26-02**

(52) **U.S. Cl.**
USPC **D26/41**

(58) **Field of Classification Search**
USPC D26/37, 38, 40, 41, 42, 44, 46, 51;
362/157, 158, 183, 184, 194-196,
362/200-208, 253
CPC F21L 2/00; F21L 4/00; F21L 4/005; F21L
17/00; F21L 13/08; F21Y 2101/00; F21V
21/30; F21V 21/406; F21W 2131/406;
F21W 2131/407

See application file for complete search history.

(56) **References Cited**

U.S. PATENT DOCUMENTS

D424,725 S * 5/2000 Cousins D26/37
D464,454 S * 10/2002 Suzuki D26/40
D504,411 S * 4/2005 Lam D14/168
D511,851 S * 11/2005 Tai F21L 4/02
D26/38
D512,169 S * 11/2005 Yuen D26/46

D543,533 S * 5/2007 Yuen D14/170
D568,513 S * 5/2008 Li D26/40
D569,536 S * 5/2008 Henderson D26/37
D605,321 S * 12/2009 Schupp D26/40
D606,688 S * 12/2009 Ma D26/46
D699,874 S * 2/2014 Chilton D26/37
D705,467 S * 5/2014 Aglassinger D26/41
D718,480 S * 11/2014 Lee D26/41
D722,715 S * 2/2015 Biegler D26/37

* cited by examiner

Primary Examiner — Ian Simmons

Assistant Examiner — Carissa C Fitts

(74) *Attorney, Agent, or Firm* — Steptoe & Johnson LLP

(57) **CLAIM**

The ornamental design for a hand lamp, as shown and described.

DESCRIPTION

FIG. 1 is a top, front, right perspective view of a hand lamp, showing the inventive design;
FIG. 2 is a front elevation view thereof;
FIG. 3 is a rear elevation view thereof;
FIG. 4 is a top plan view thereof. The broken lines indicate unclaimed portions of the design article which form no part of the claimed design.
FIG. 5 is a bottom view thereof. The broken line surrounds unclaimed portions of the design article which form no part of the claimed design.
FIG. 6 is a right side elevation view thereof; and,
FIG. 7 is a left side elevation view thereof.

1 Claim, 7 Drawing Sheets

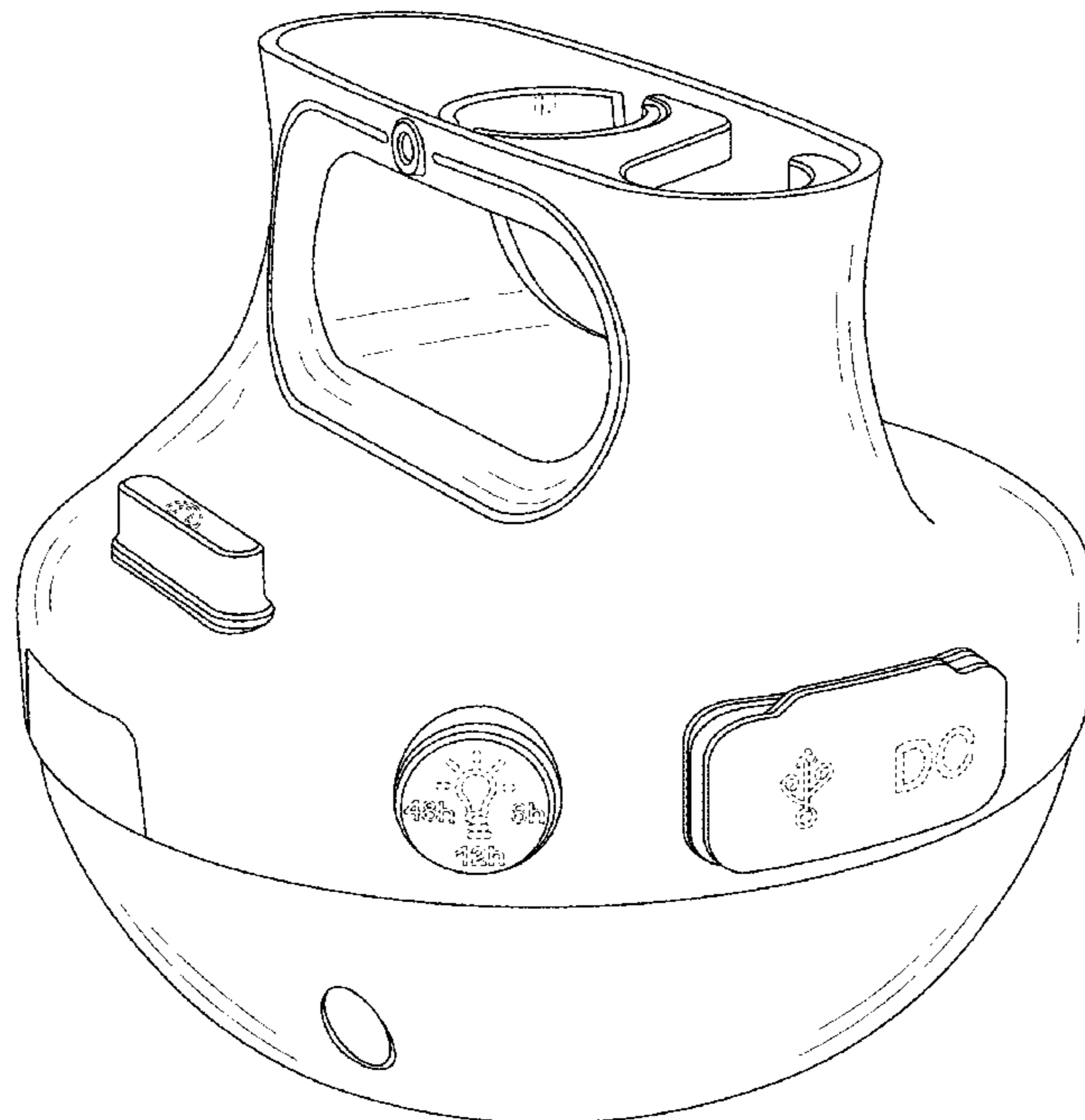
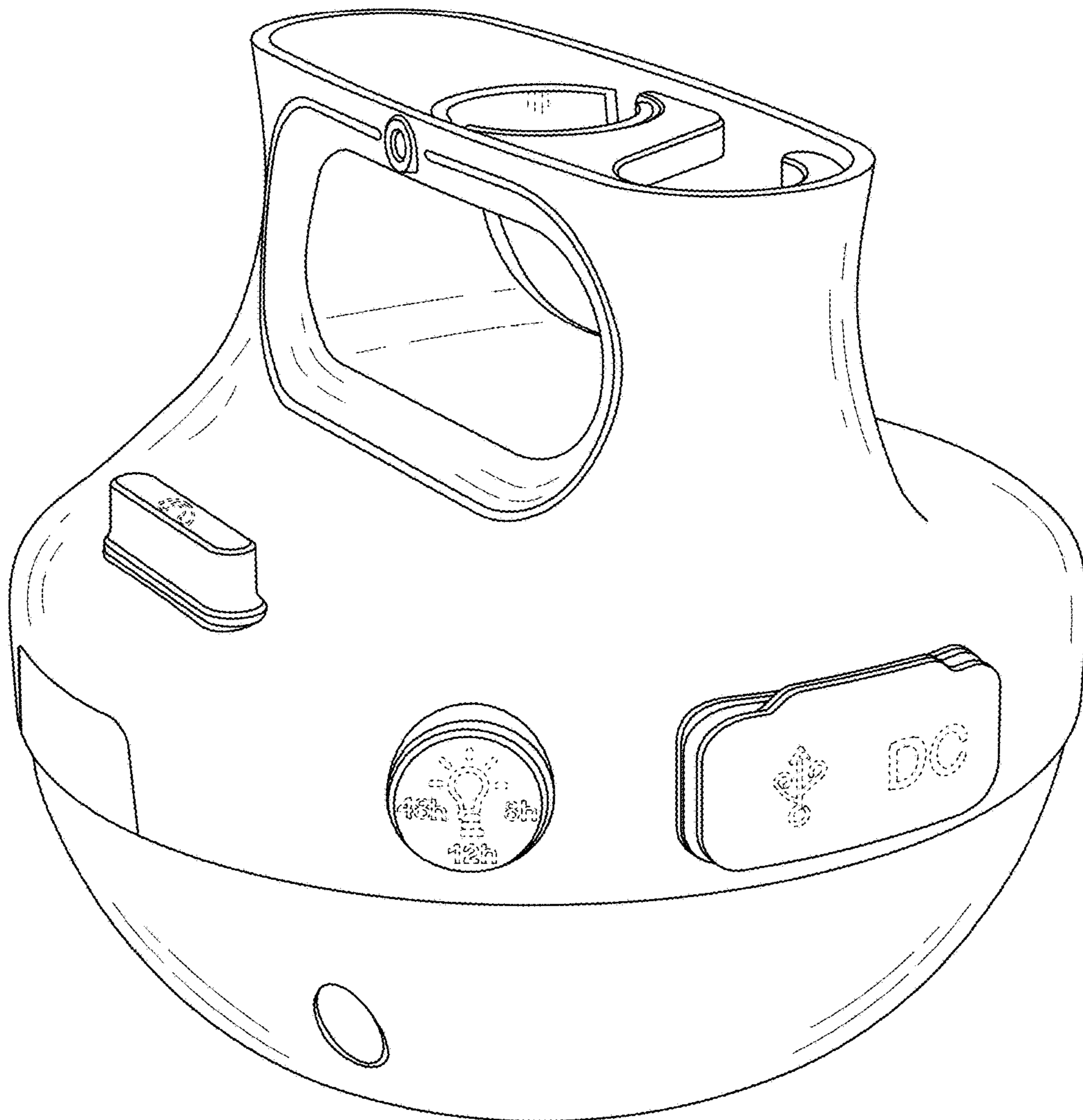


FIG. 1



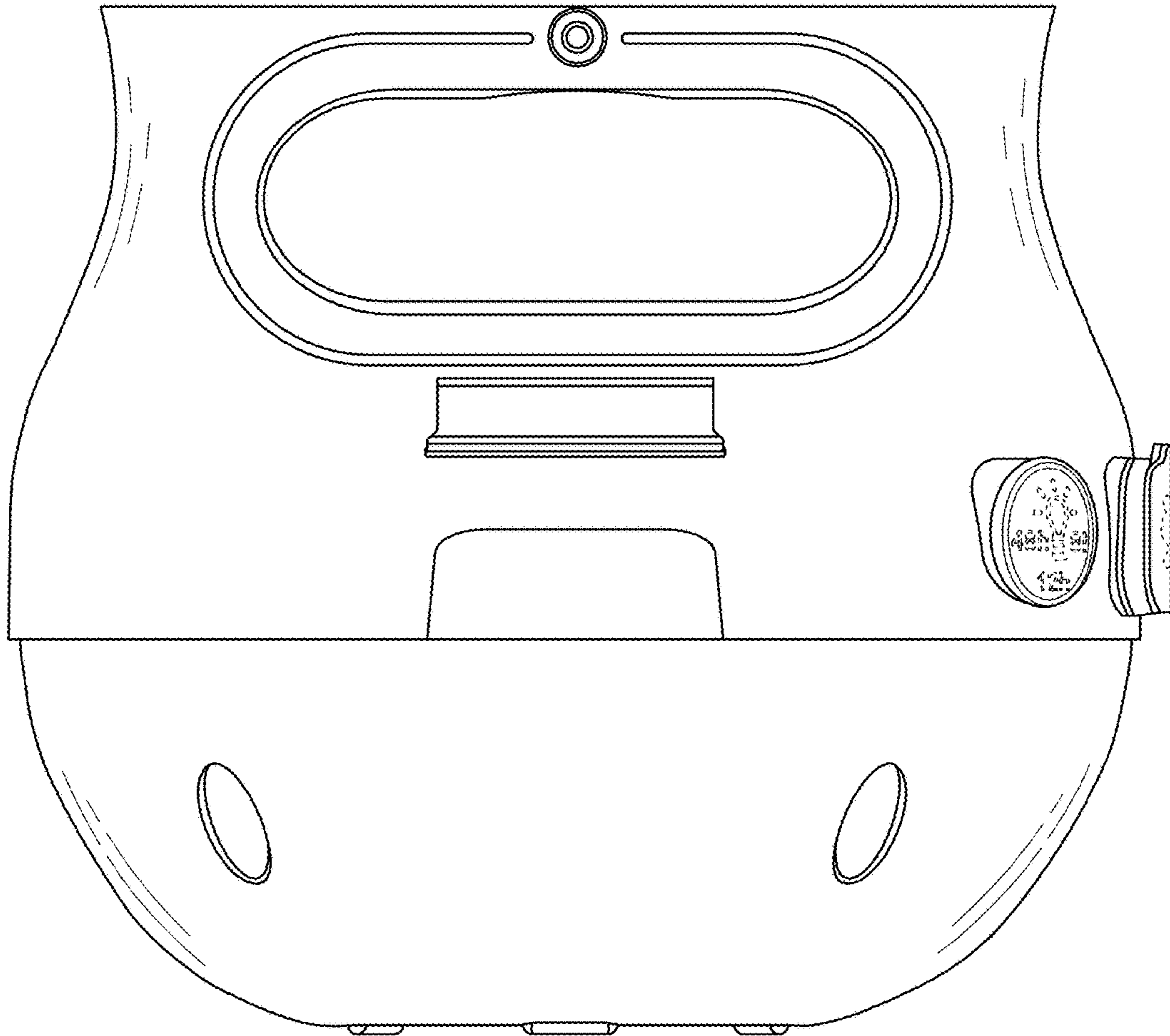


FIG. 2

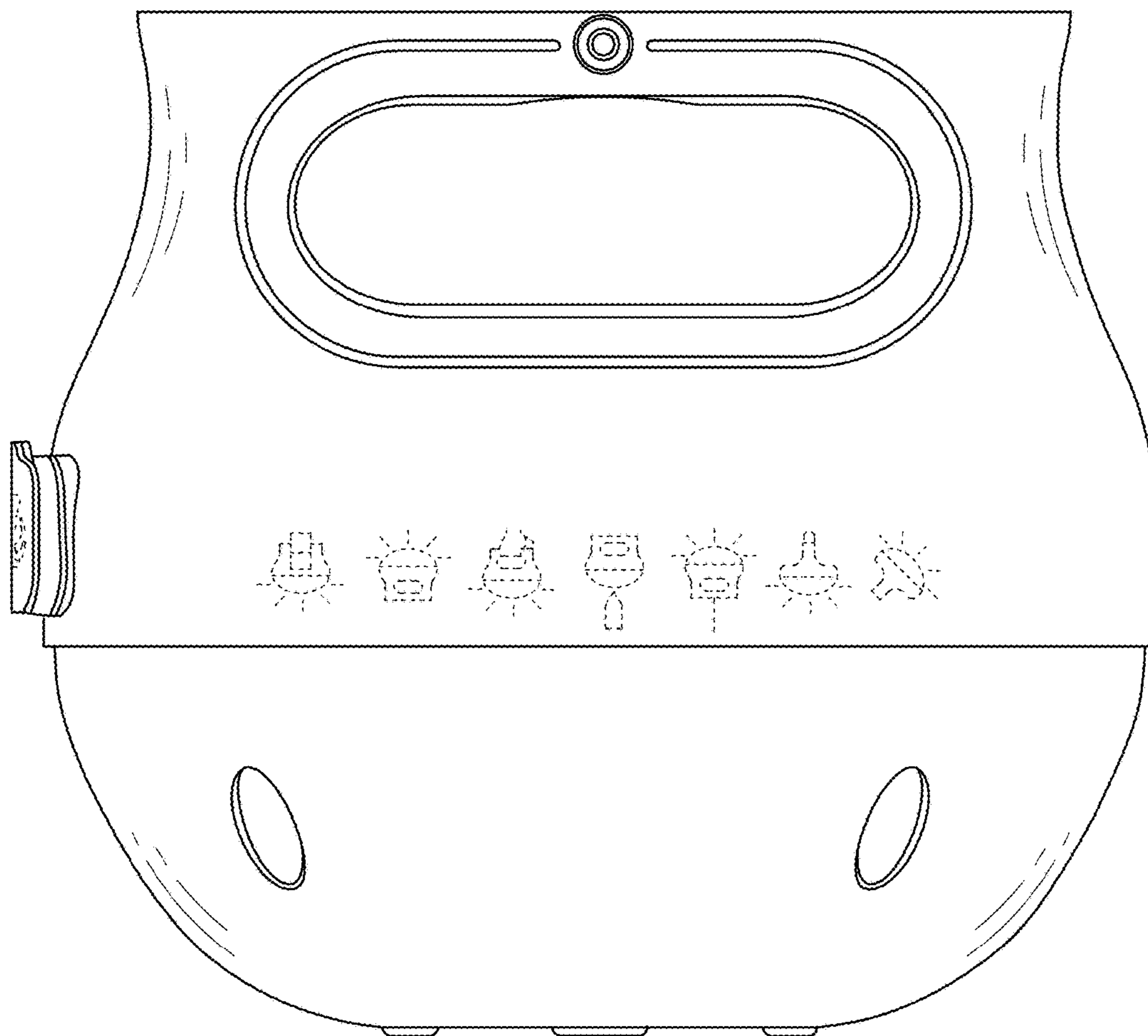


FIG. 3

FIG. 4

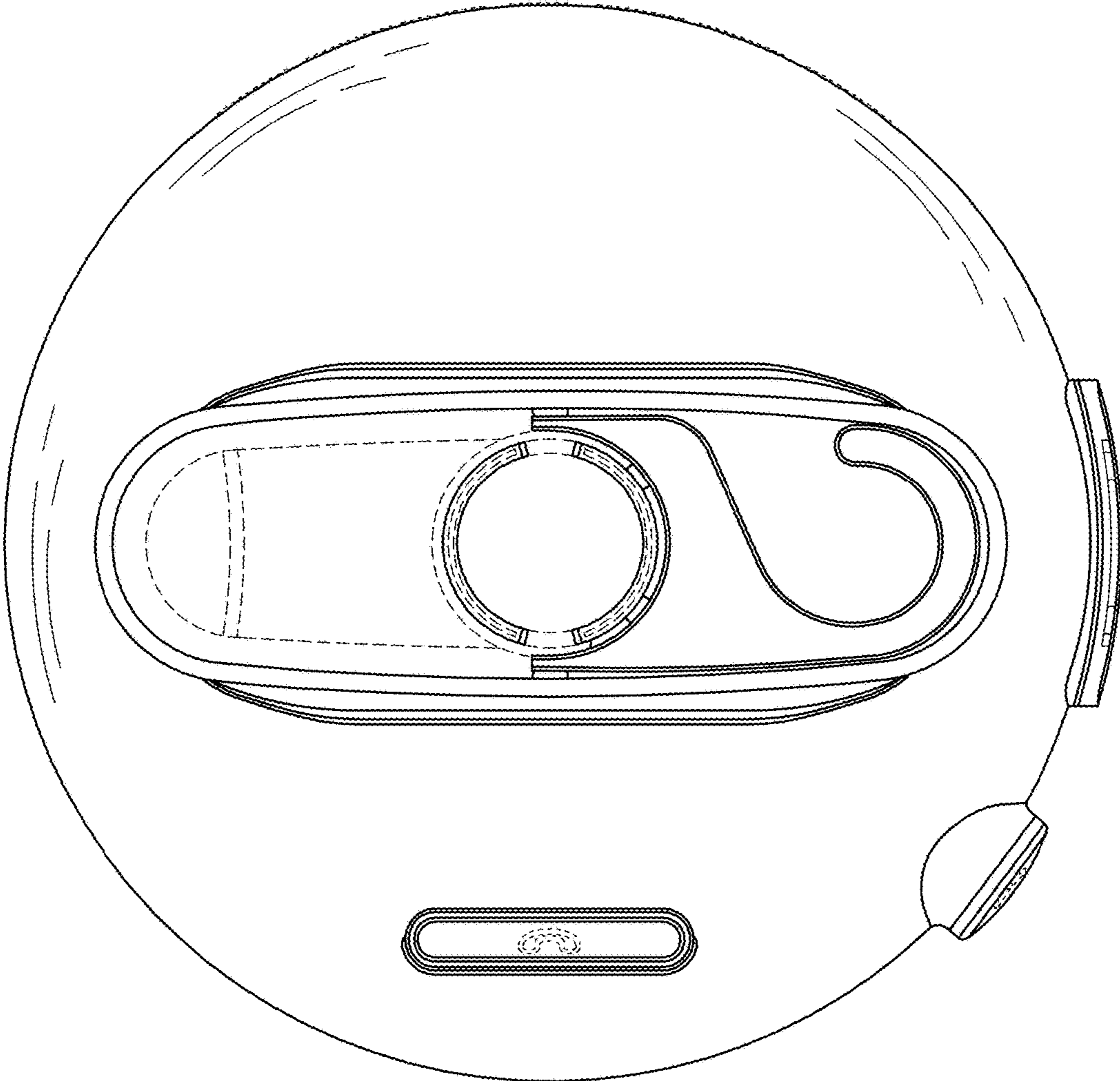
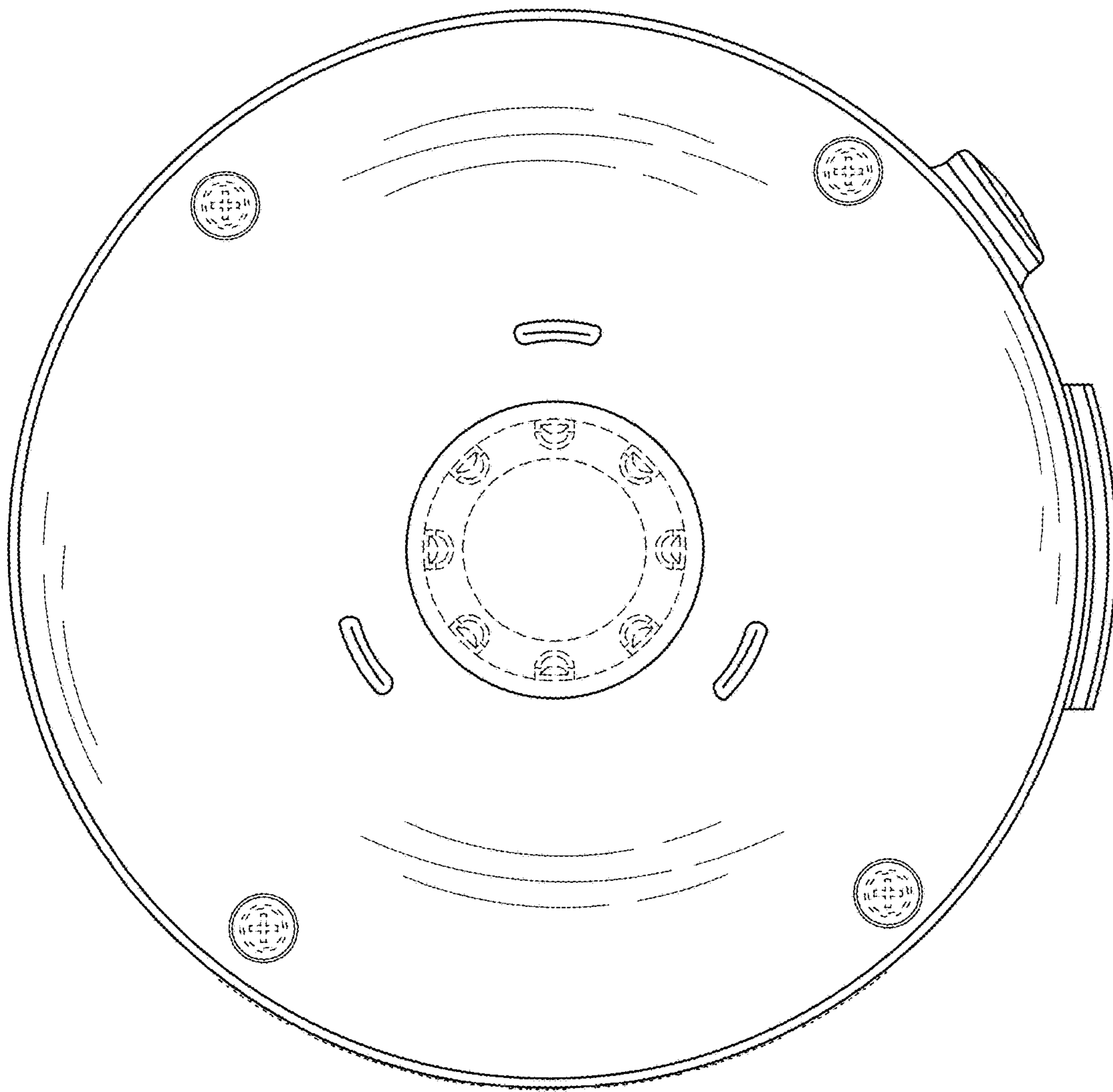


FIG. 5



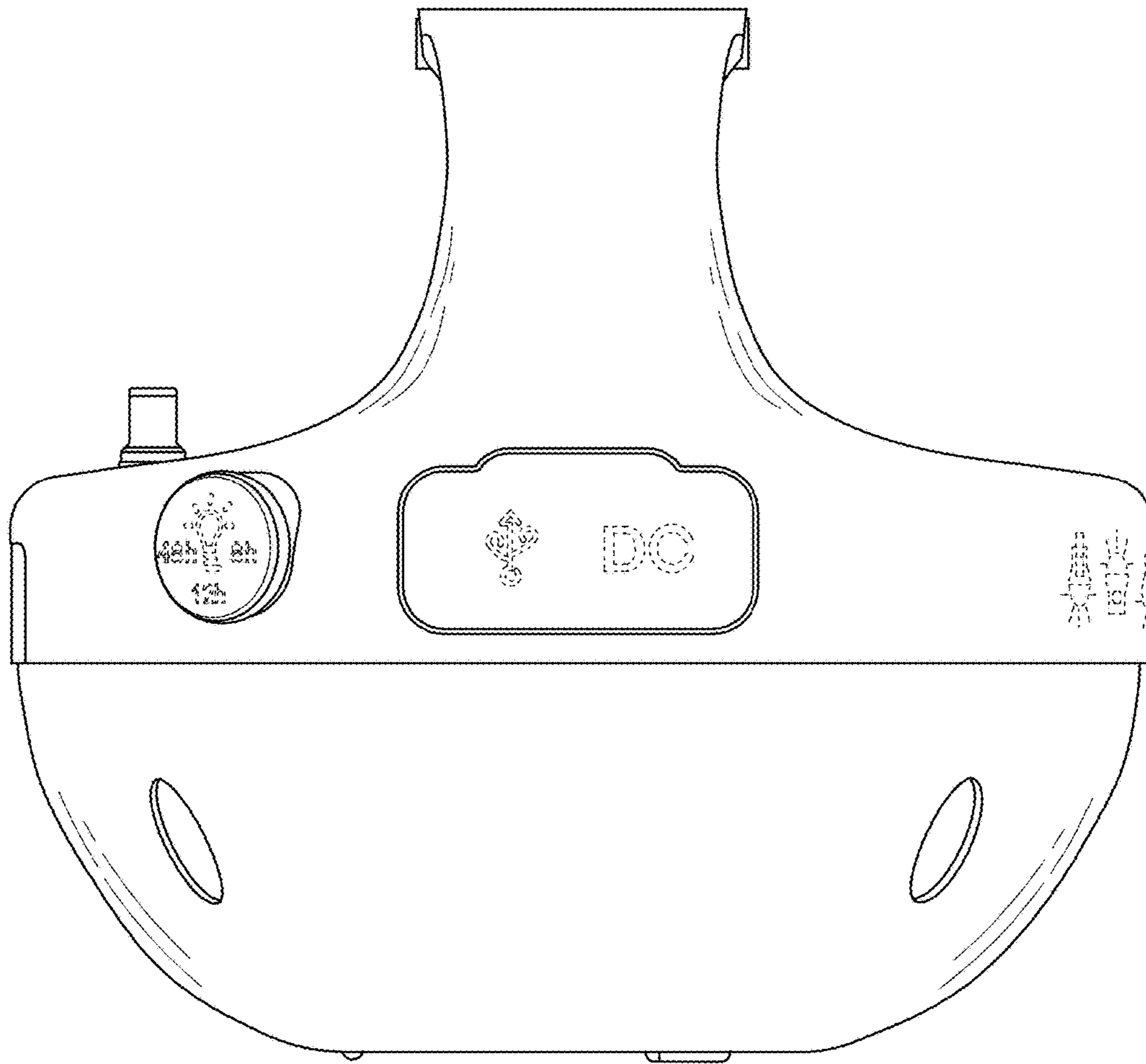


FIG. 6

FIG. 7

