



US00D808049S

(12) **United States Design Patent** (10) **Patent No.:** **US D808,049 S**  
**Xie** (45) **Date of Patent:** **\*\* Jan. 16, 2018**

(54) **LED CAR LIGHT**

(71) Applicant: **Shenzhen Aurora Technology Co., Ltd.**, Shenzhen (CN)

(72) Inventor: **Qingbo Xie**, Shenzhen (CN)

(73) Assignee: **SHENZHEN AURORA TECHNOLOGY CO., LTD.**, Shenzhen (CN)

(\*\*) Term: **15 Years**

(21) Appl. No.: **29/586,881**

(22) Filed: **Dec. 7, 2016**

(30) **Foreign Application Priority Data**

Nov. 11, 2016 (CN) ..... 2016 3 0550063

(51) **LOC (11) Cl.** ..... **26-06**

(52) **U.S. Cl.**  
USPC ..... **D26/28**

(58) **Field of Classification Search**

USPC ..... D26/28-36; 362/80-83, 267-269, 362/459-468, 475-478, 485-487

CPC ..... F21S 48/00; F21S 48/10; F21S 48/115; F21S 48/1233; F21S 48/1266; F21S 48/1388; F21S 48/2268; F21V 21/04

See application file for complete search history.

(56) **References Cited**

**U.S. PATENT DOCUMENTS**

D547,889 S \* 7/2007 Huang ..... D26/28  
D570,012 S \* 5/2008 Huang ..... D26/28  
D592,778 S \* 5/2009 Chang ..... D26/28  
D606,682 S \* 12/2009 Chang ..... D26/28  
D662,632 S \* 6/2012 Wilson ..... D26/28

\* cited by examiner

*Primary Examiner* — Marcus Jackson

(74) *Attorney, Agent, or Firm* — Buchanan Ingersoll & Rooney PC

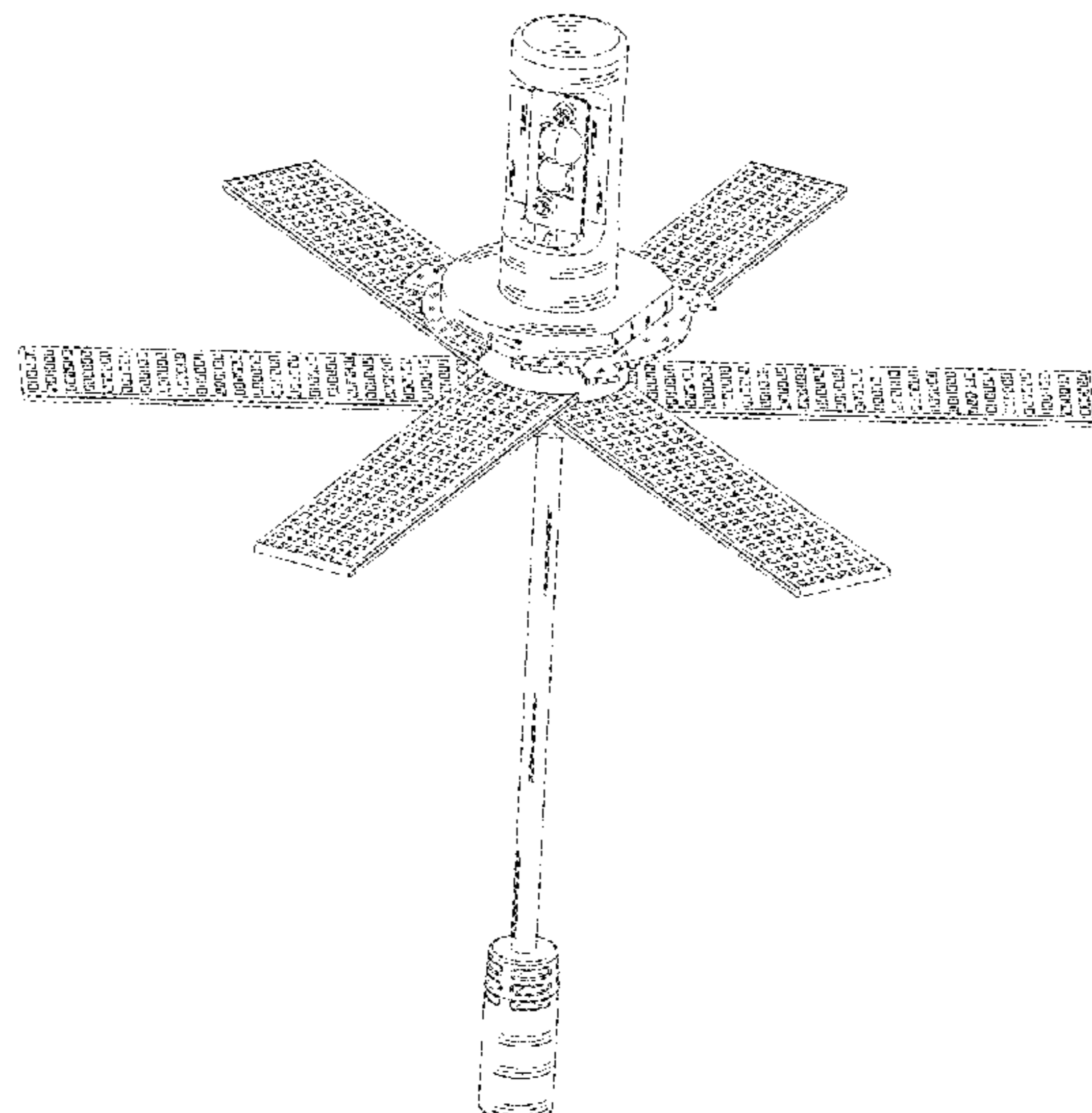
(57) **CLAIM**

The ornamental designs for an “LED car light,” as shown and described.

**DESCRIPTION**

FIG. 1 is a first perspective view of the LED car light; FIG. 2 is a front view thereof; FIG. 3 is a rear view thereof; FIG. 4 is a left side view thereof; FIG. 5 is a right side view thereof; FIG. 6 is a top view thereof; FIG. 7 is a bottom view thereof; FIG. 8 is a second perspective view of the LED car light; FIG. 9 is a front view thereof; FIG. 10 is a rear view thereof; FIG. 11 is a left side view thereof; FIG. 12 is a right side view thereof; FIG. 13 is a top view thereof; FIG. 14 is a bottom view thereof; FIG. 15 is a third perspective view of the LED car light; FIG. 16 is a front view thereof; FIG. 17 is a rear view thereof; FIG. 18 is a left side view thereof; FIG. 19 is a right side view thereof; FIG. 20 is a top view thereof; FIG. 21 is a bottom view thereof; FIG. 22 is a fourth perspective view of the LED car light; FIG. 23 is a front view thereof; FIG. 24 is a rear view thereof; FIG. 25 is a left side view thereof; FIG. 26 is a right side view thereof; FIG. 27 is a top view thereof; and, FIG. 28 is a bottom view thereof.

**1 Claim, 28 Drawing Sheets**



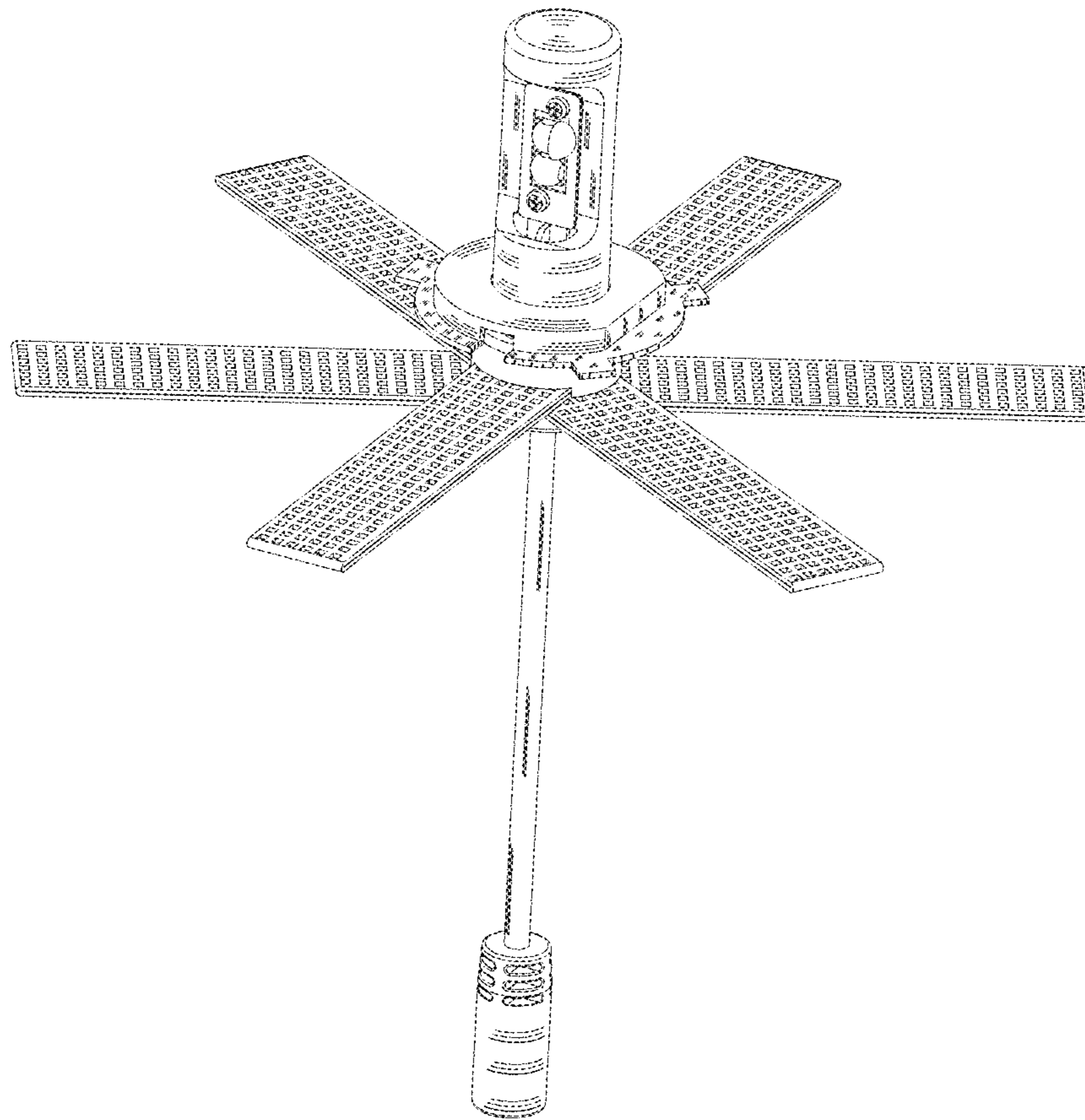


FIG.1

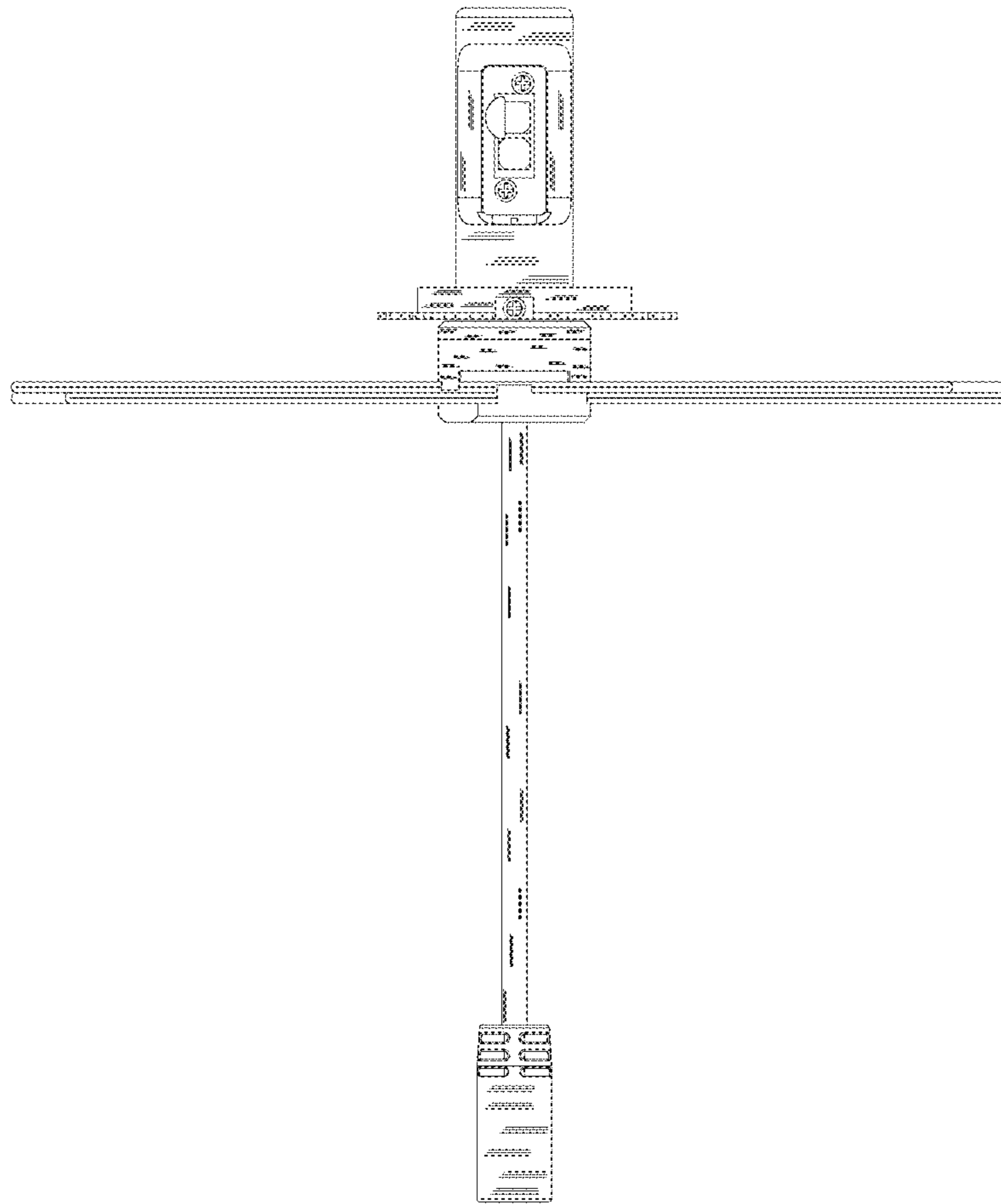


FIG.2

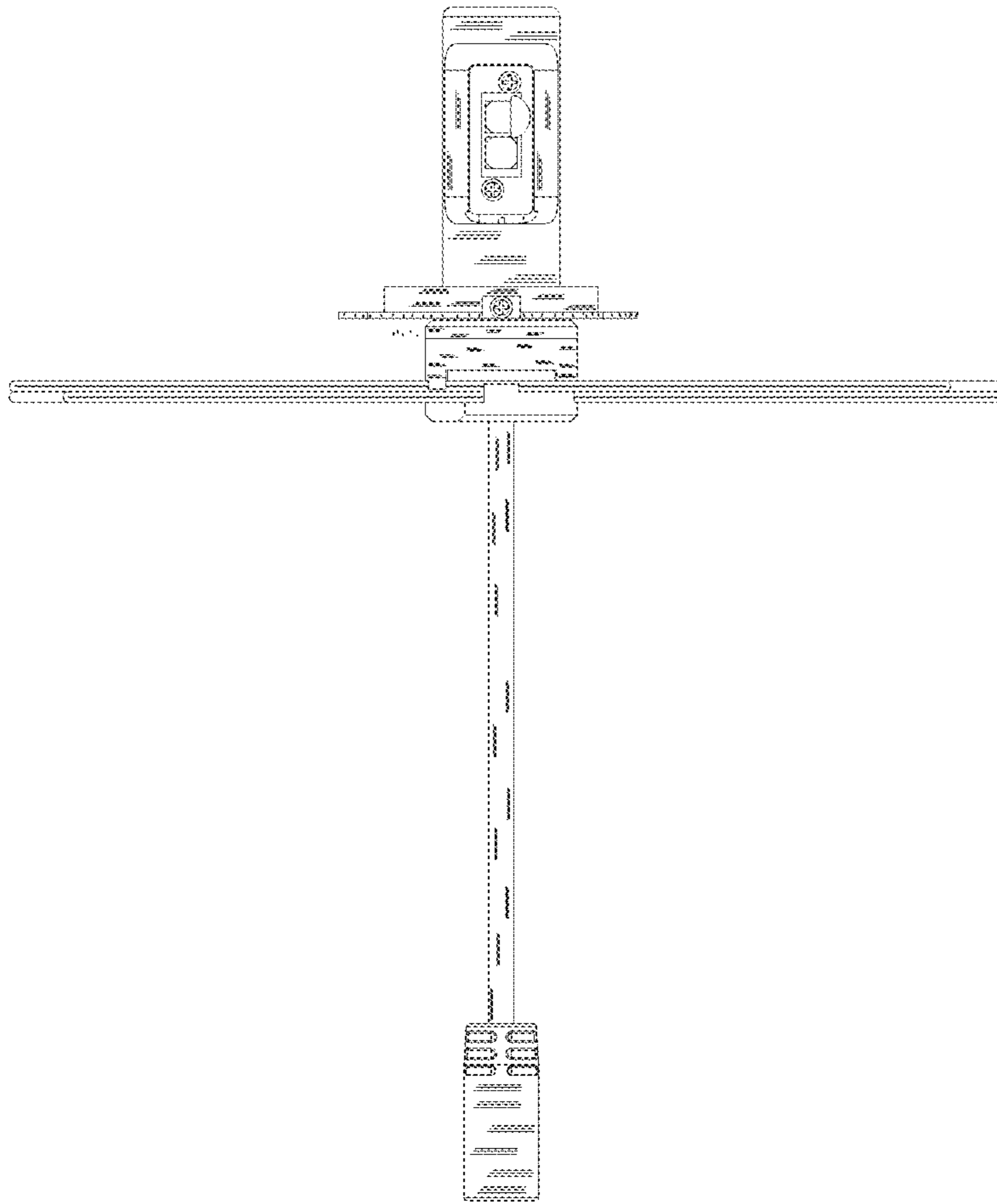


FIG.3

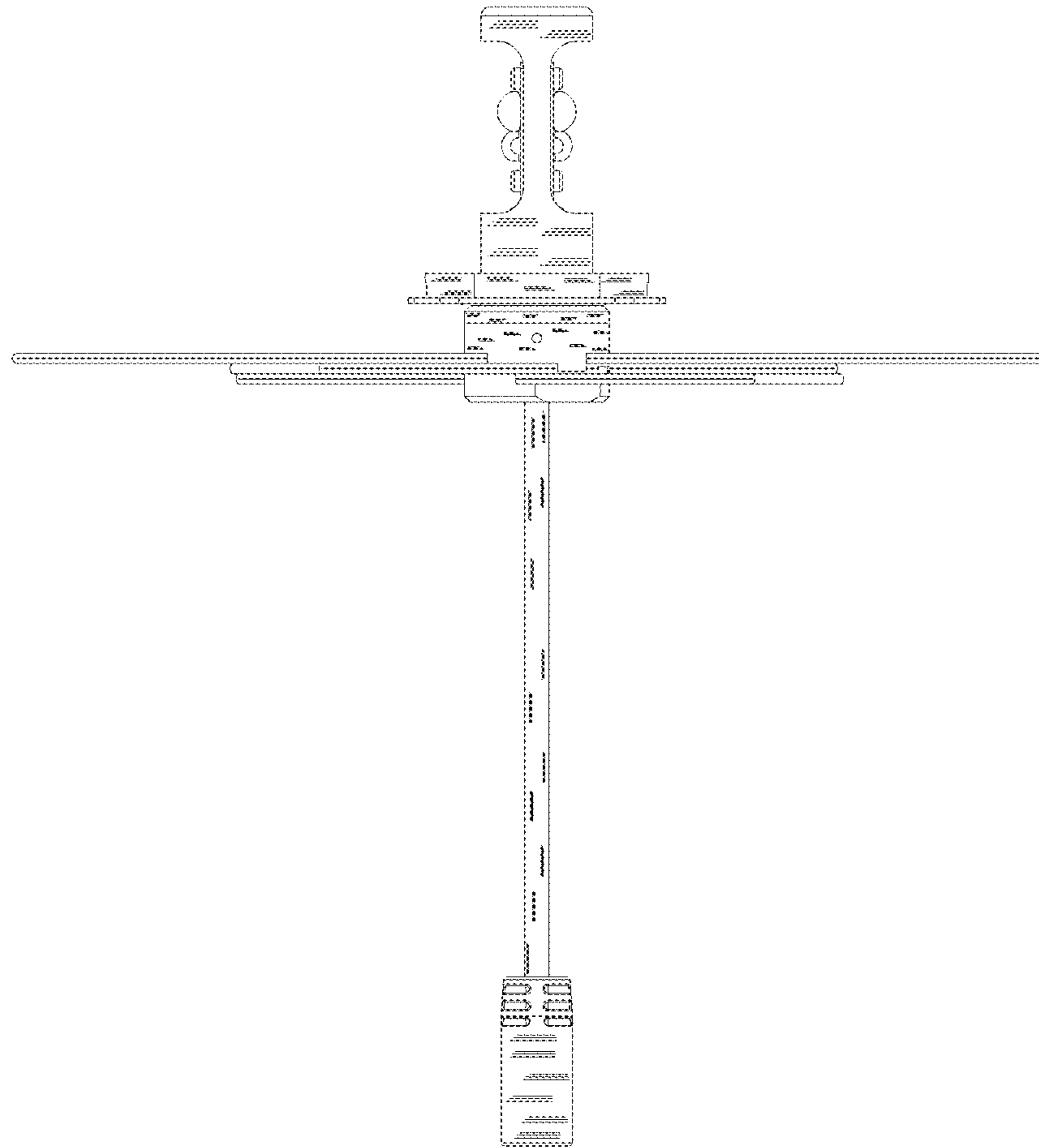


FIG.4

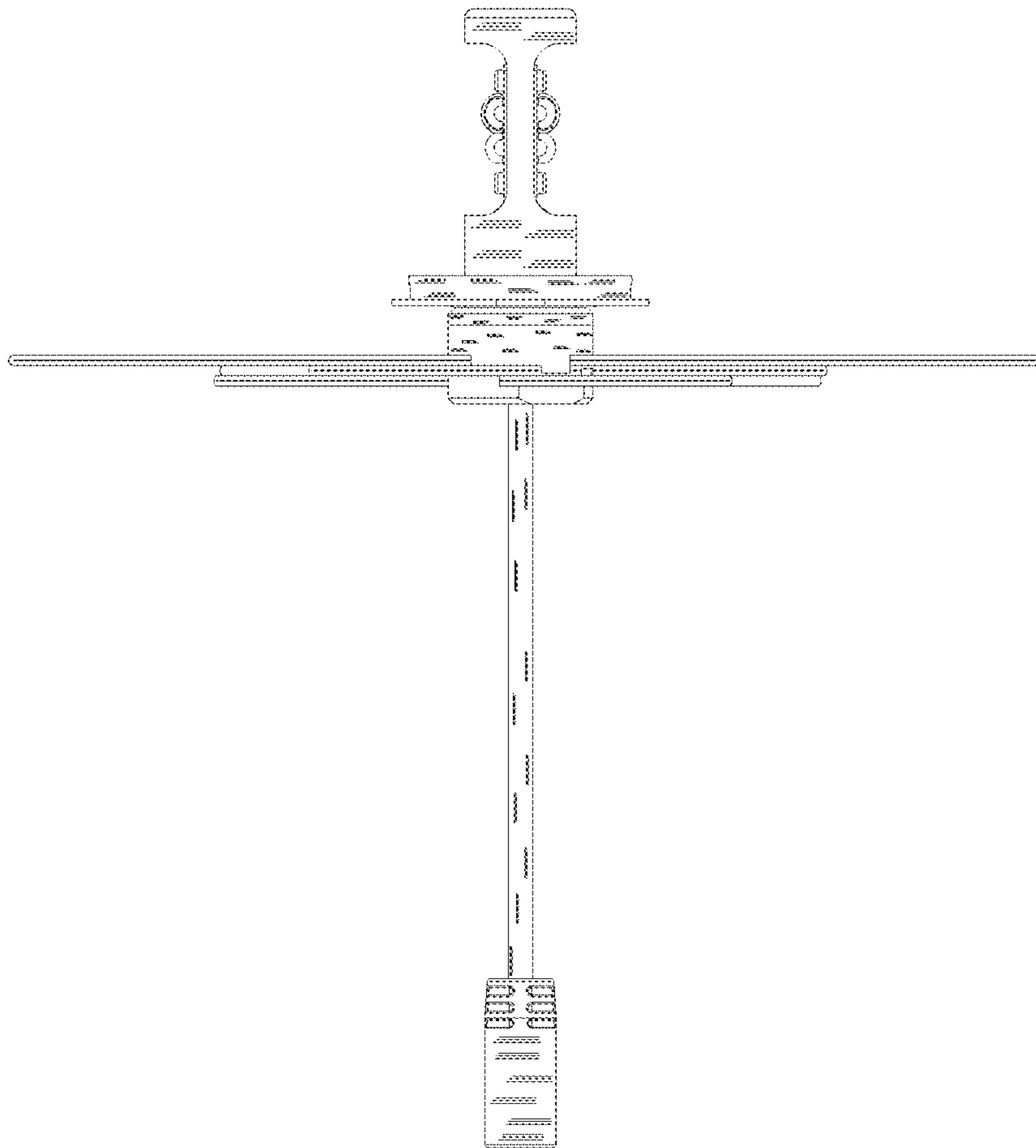


FIG.5

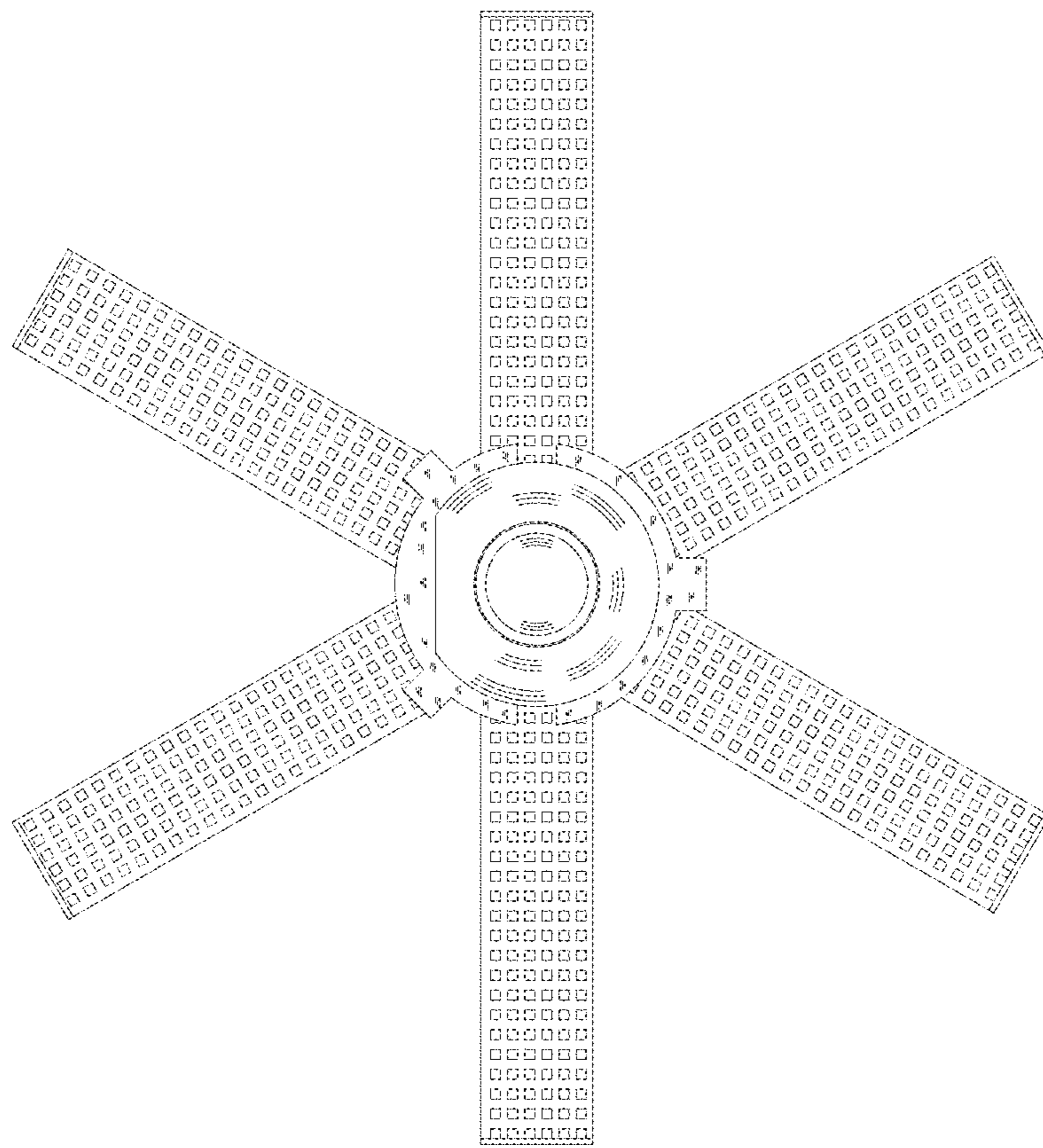


FIG.6

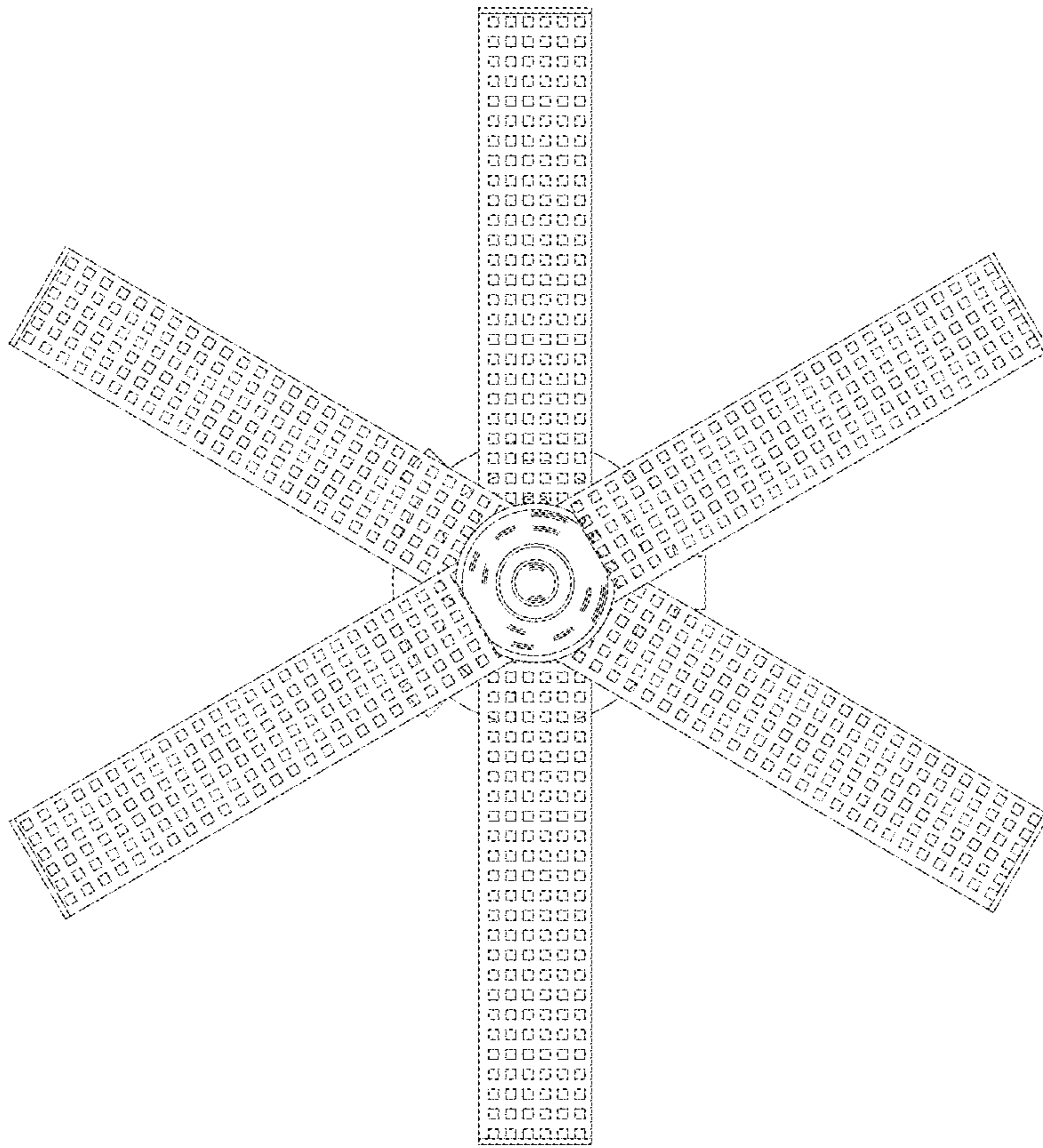


FIG.7



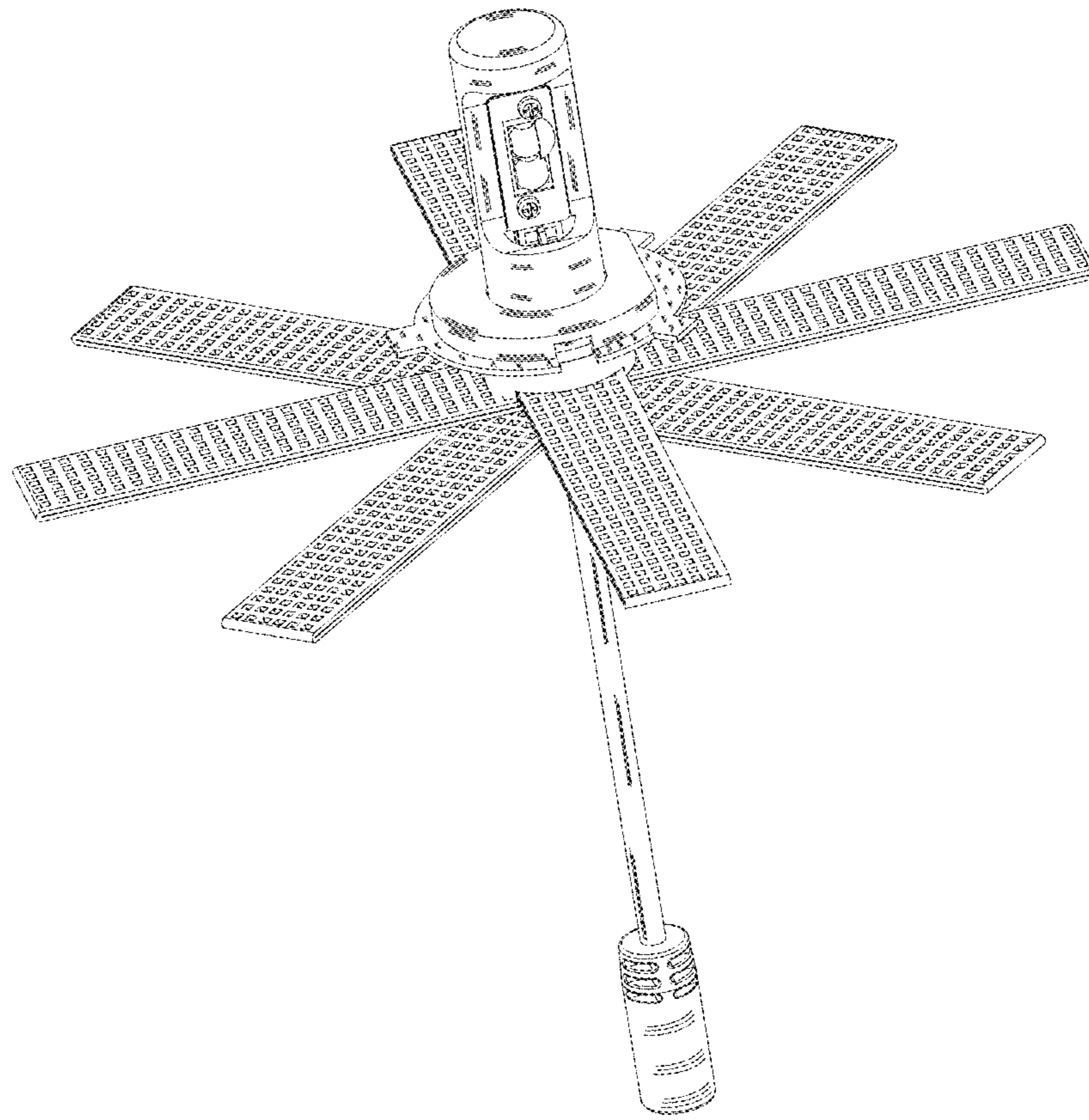


FIG.8

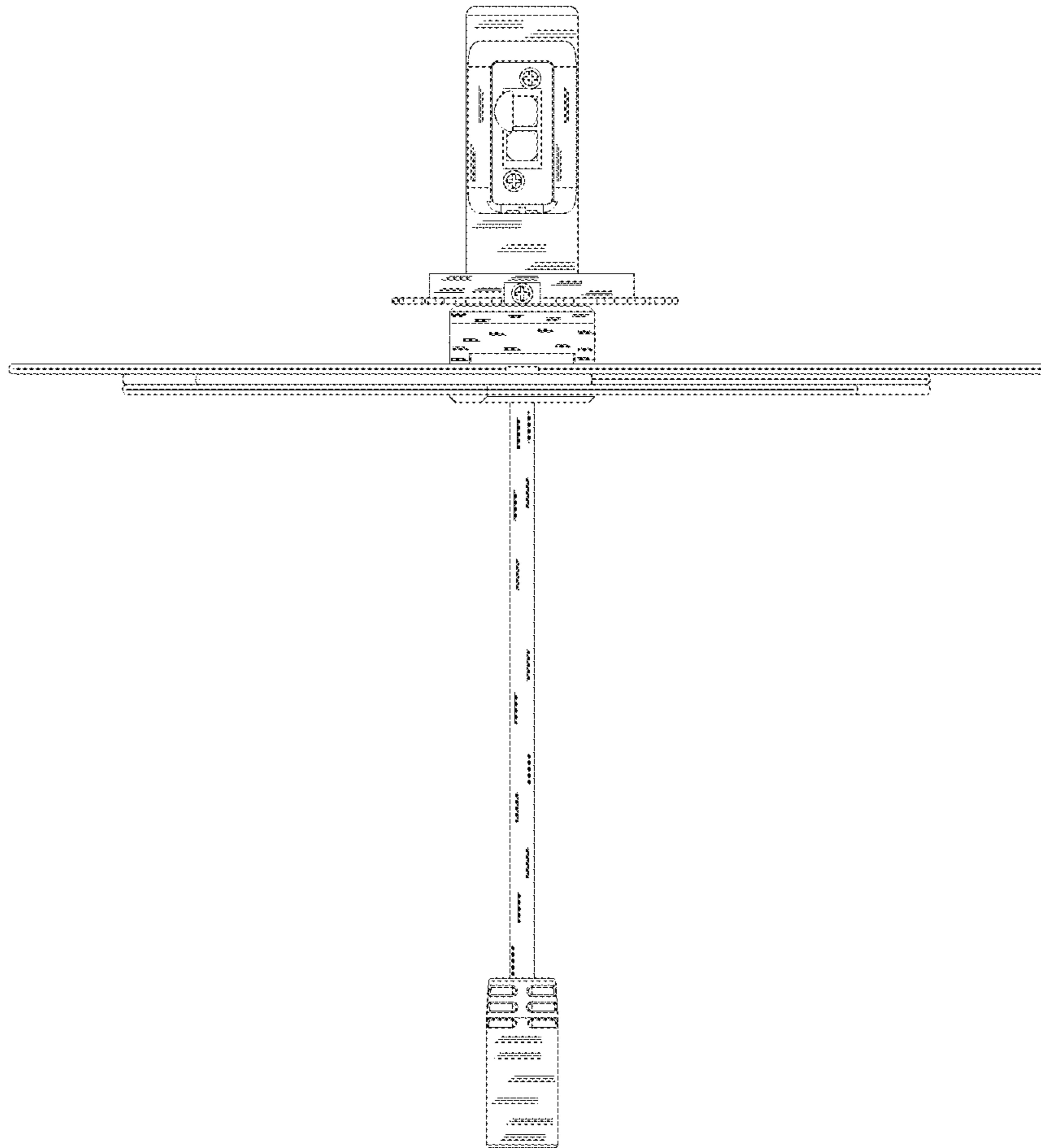


FIG.9

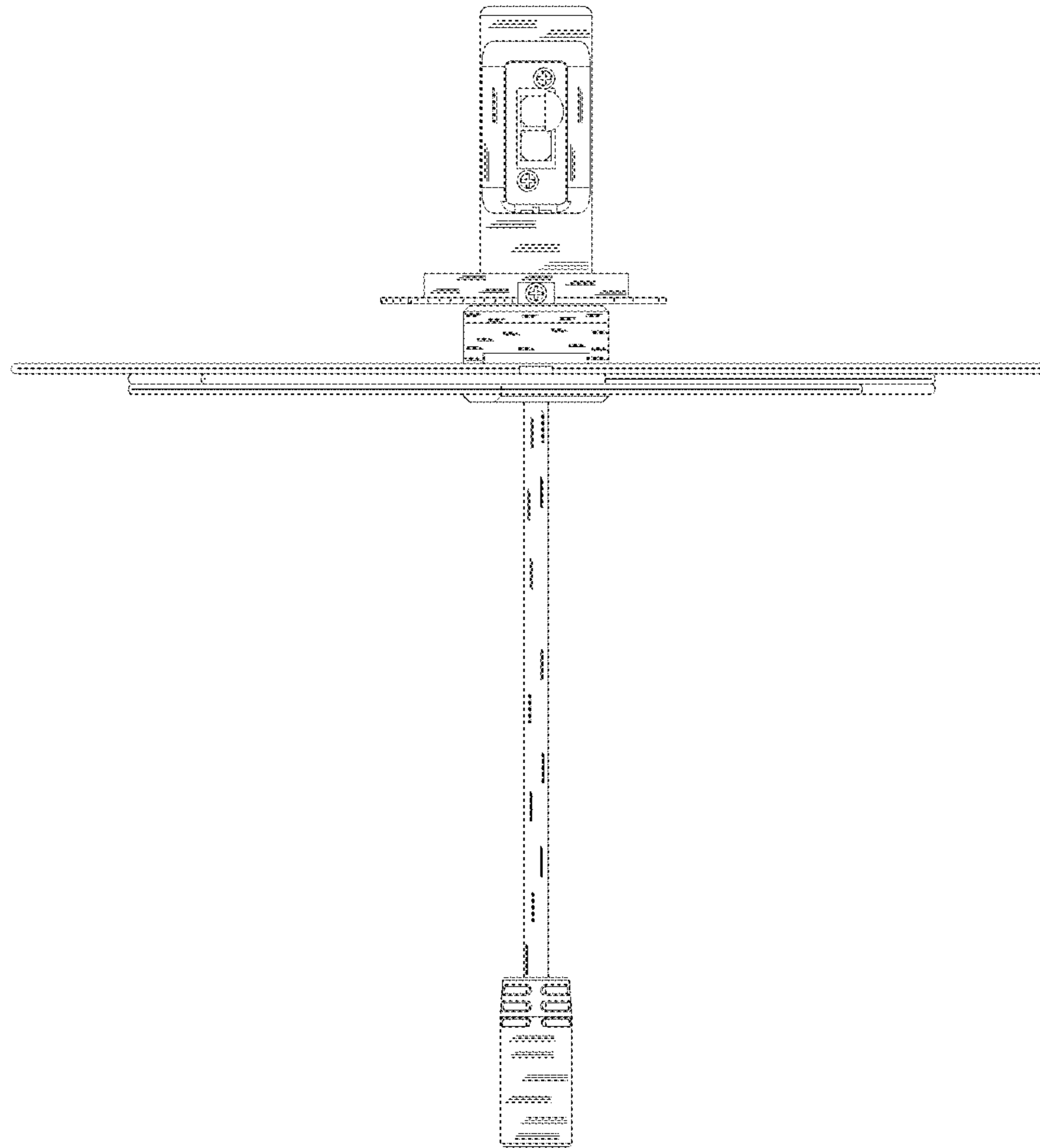


FIG.10

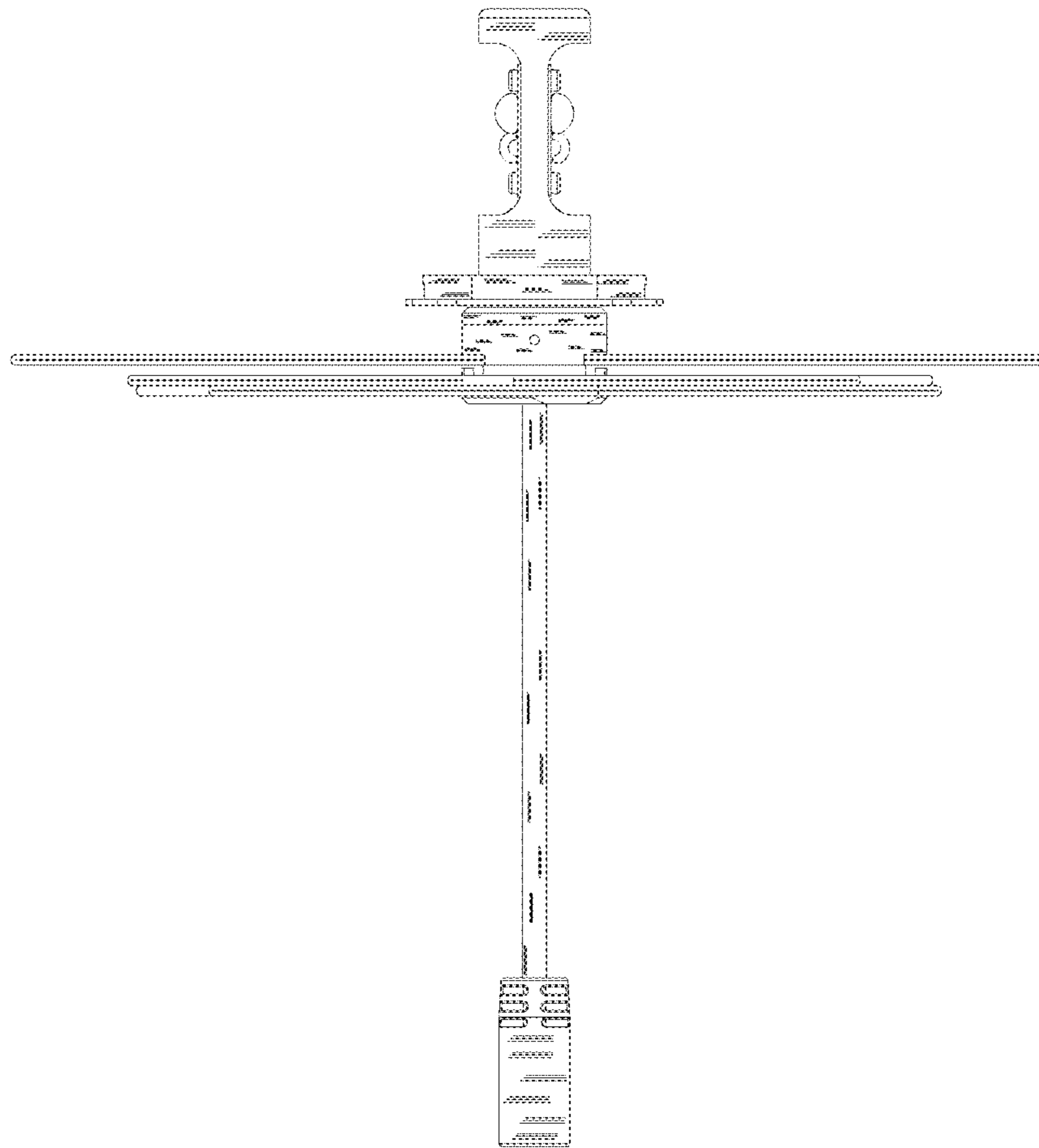


FIG.11

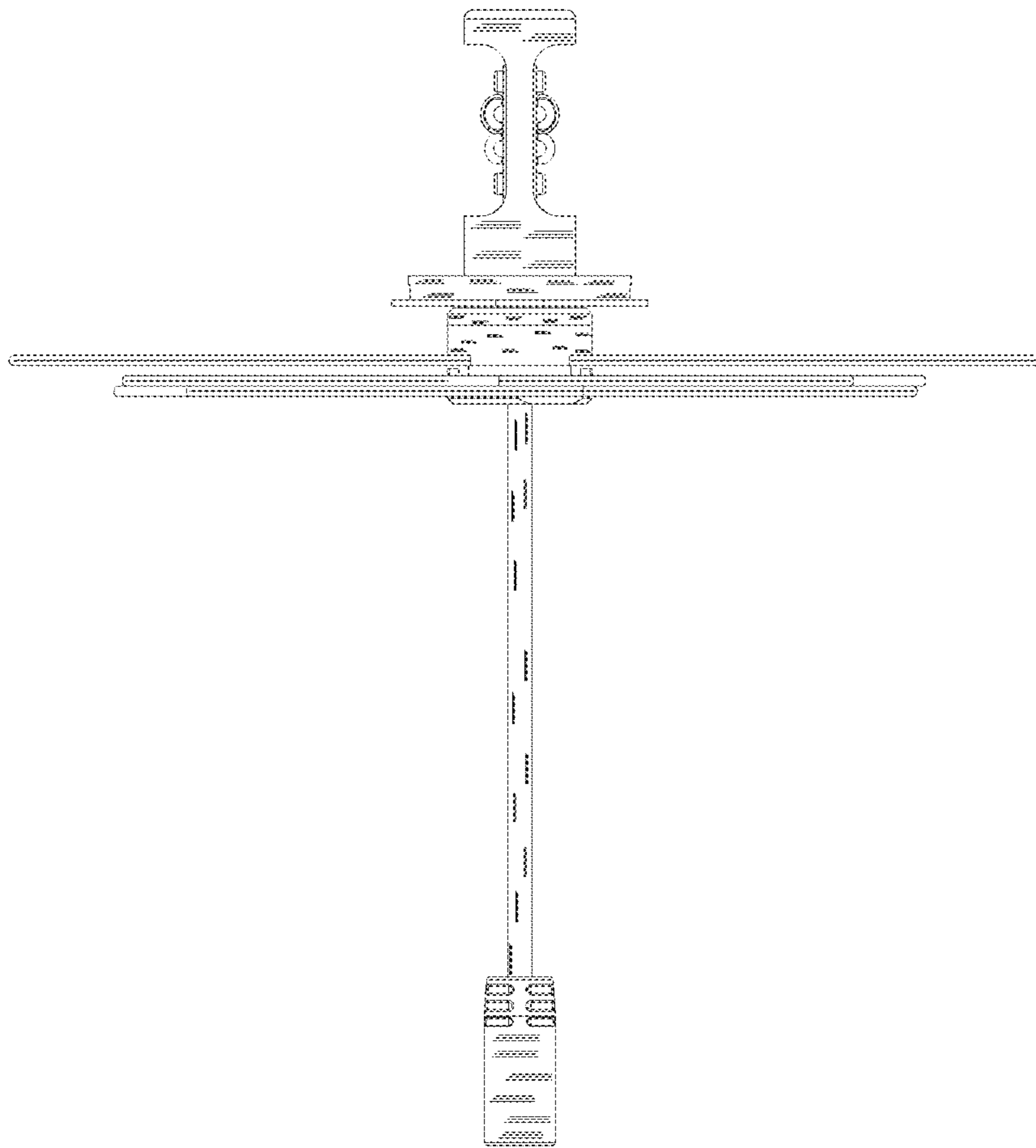


FIG.12

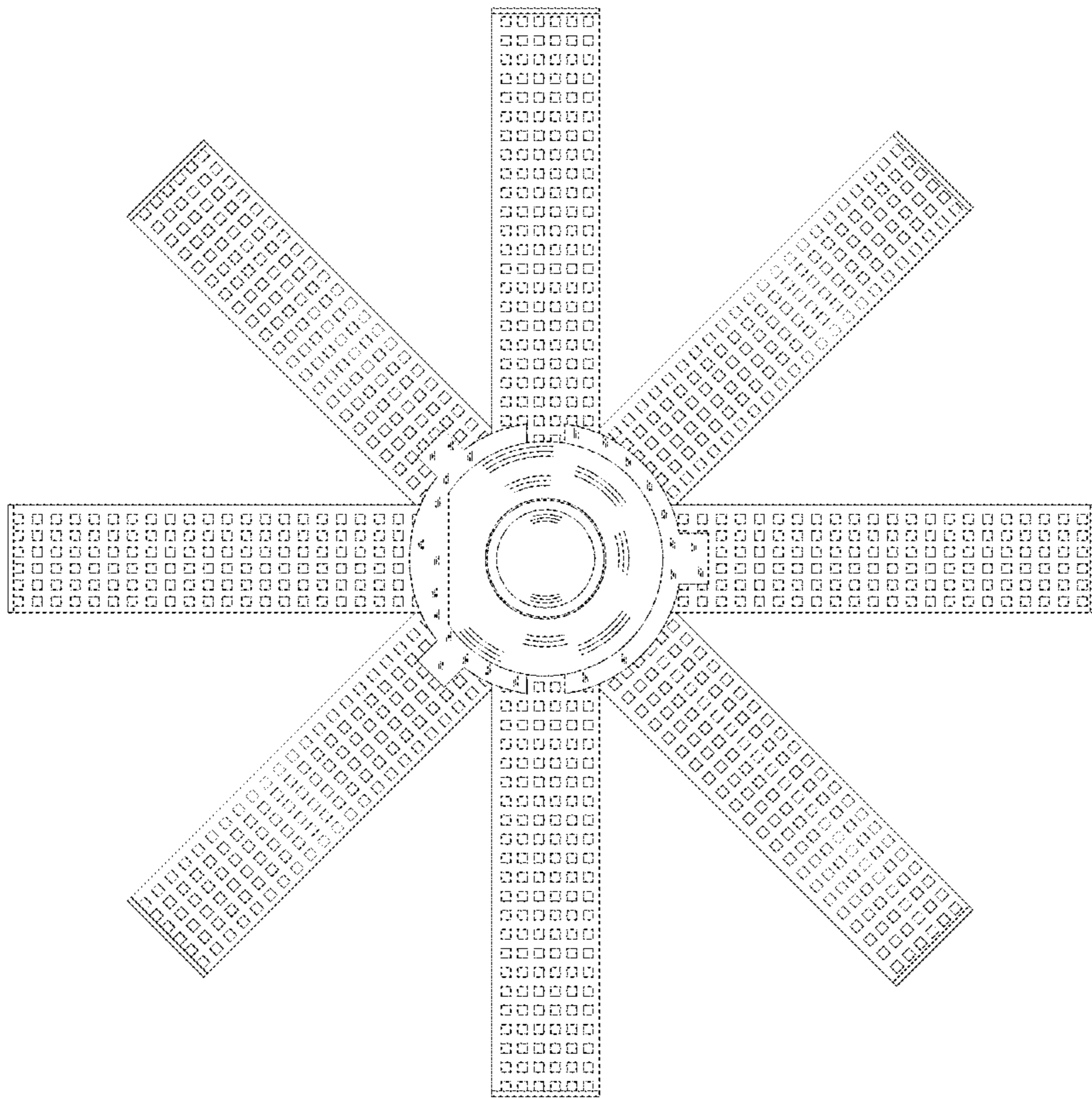


FIG.13

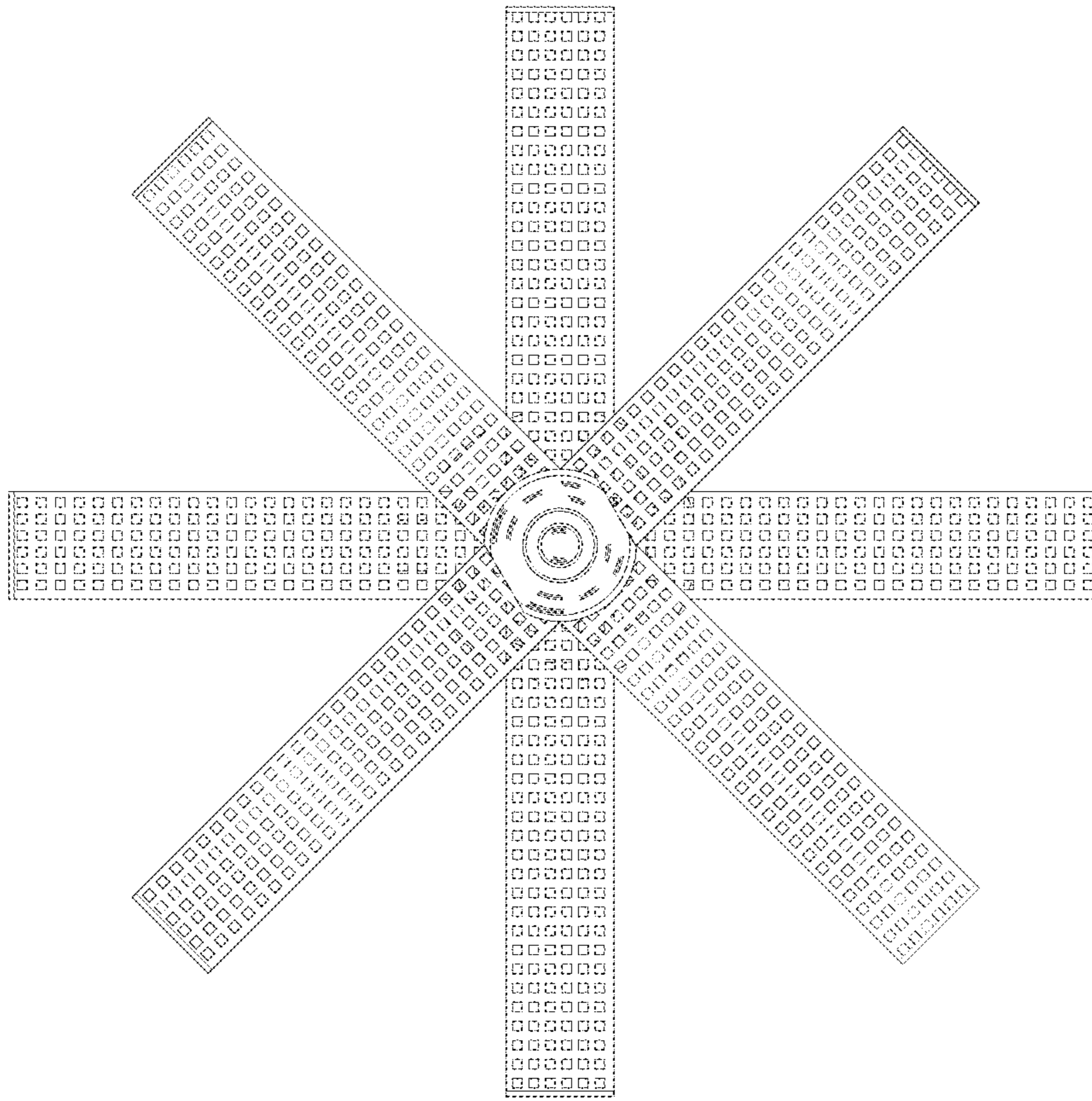


FIG.14

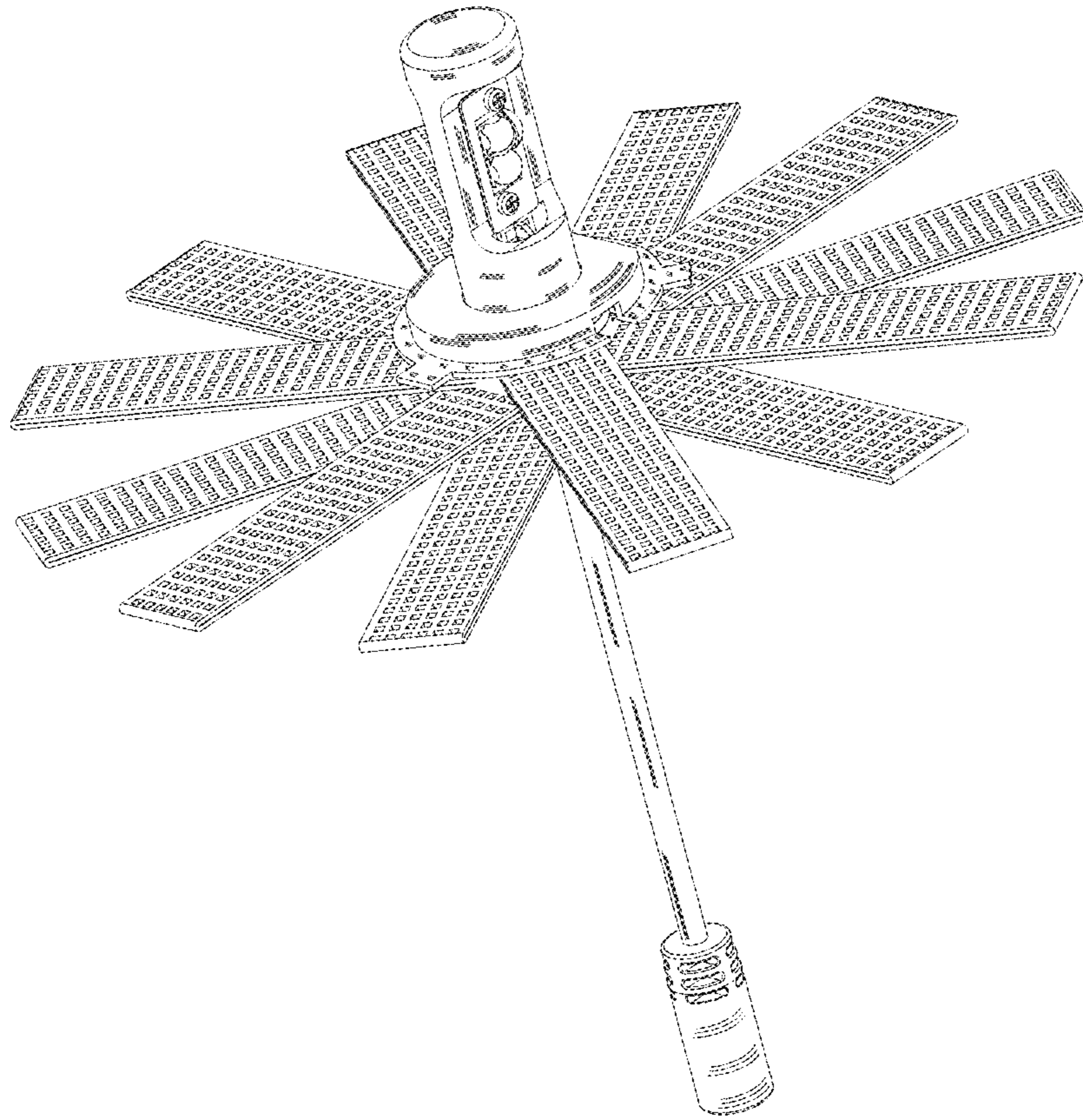


FIG.15



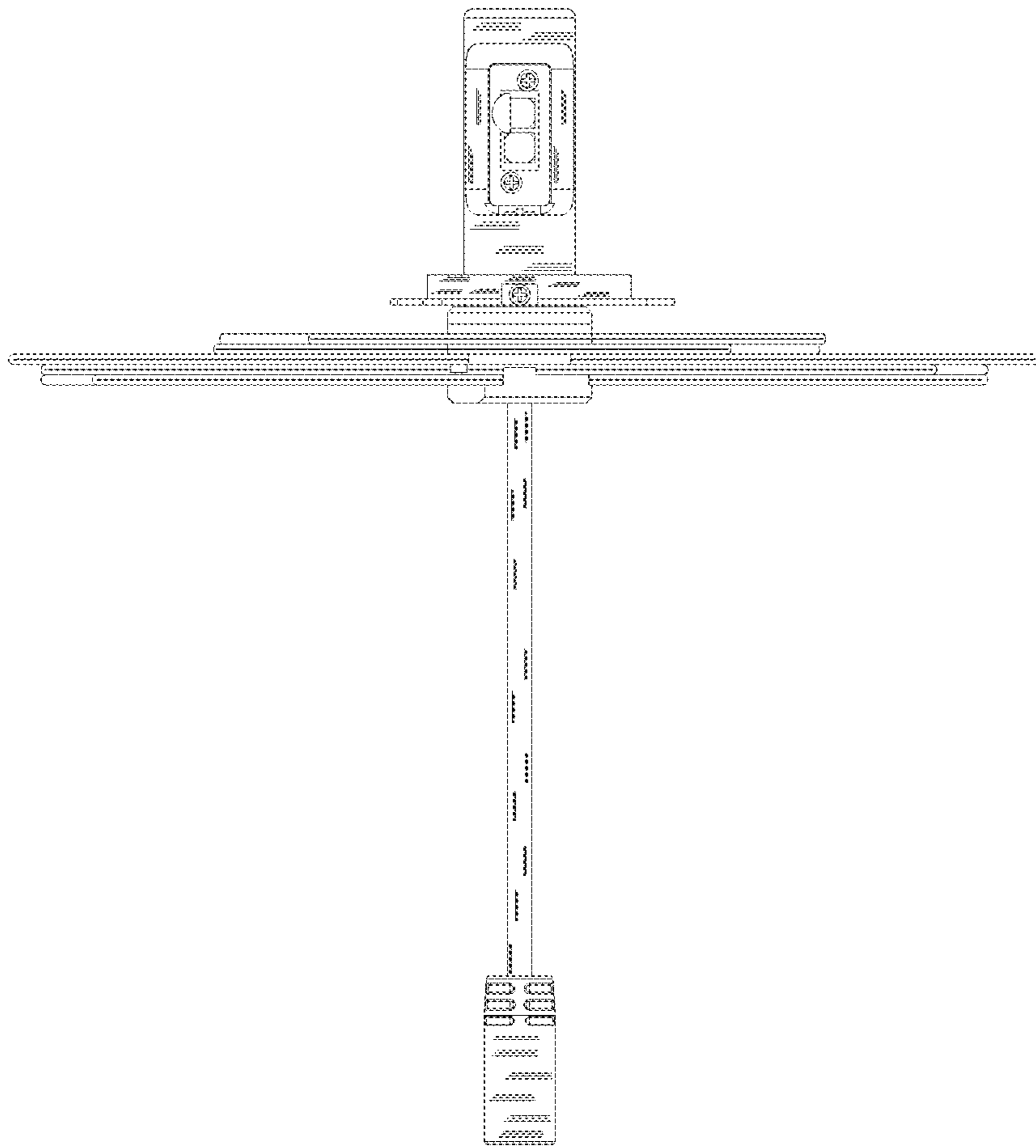


FIG.16

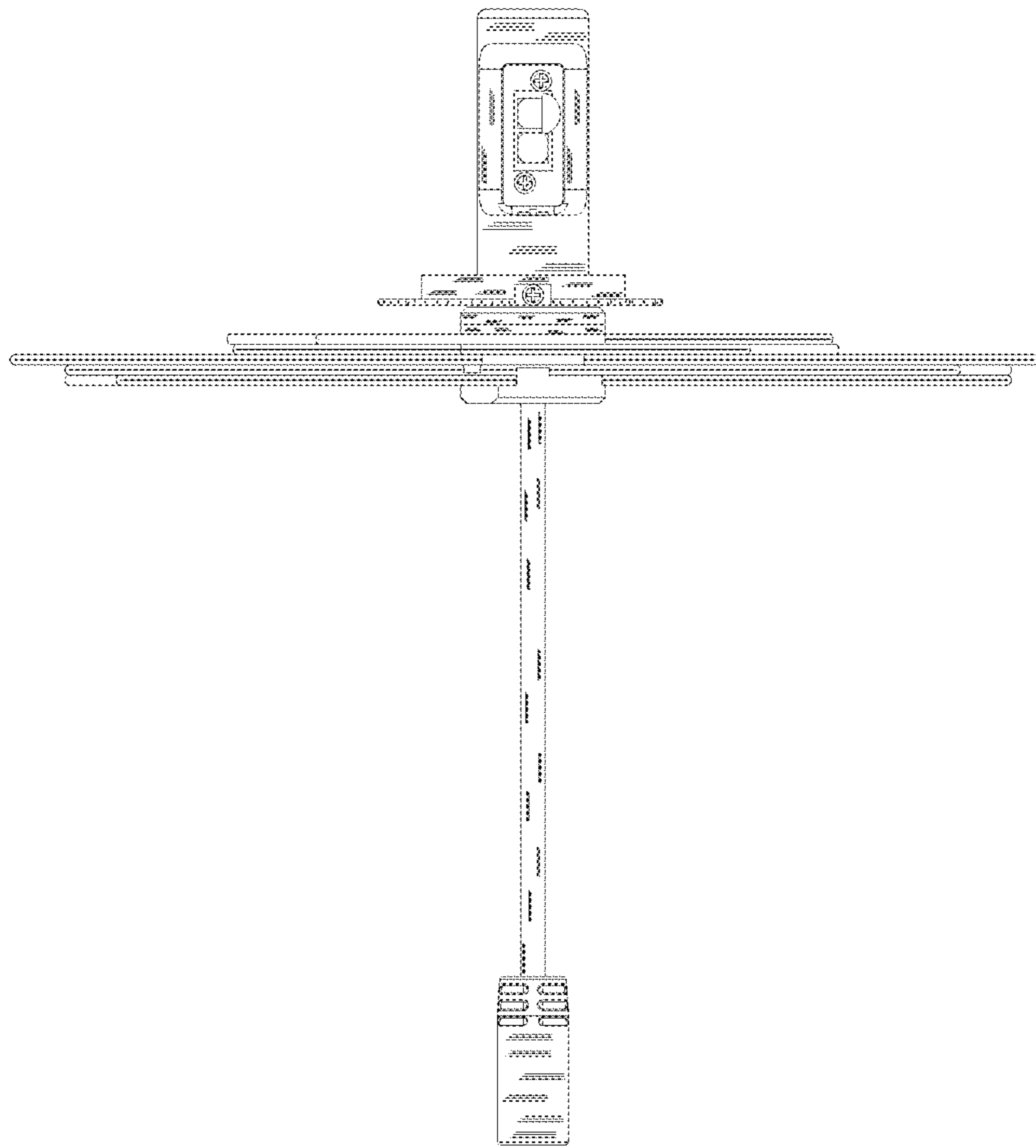


FIG.17

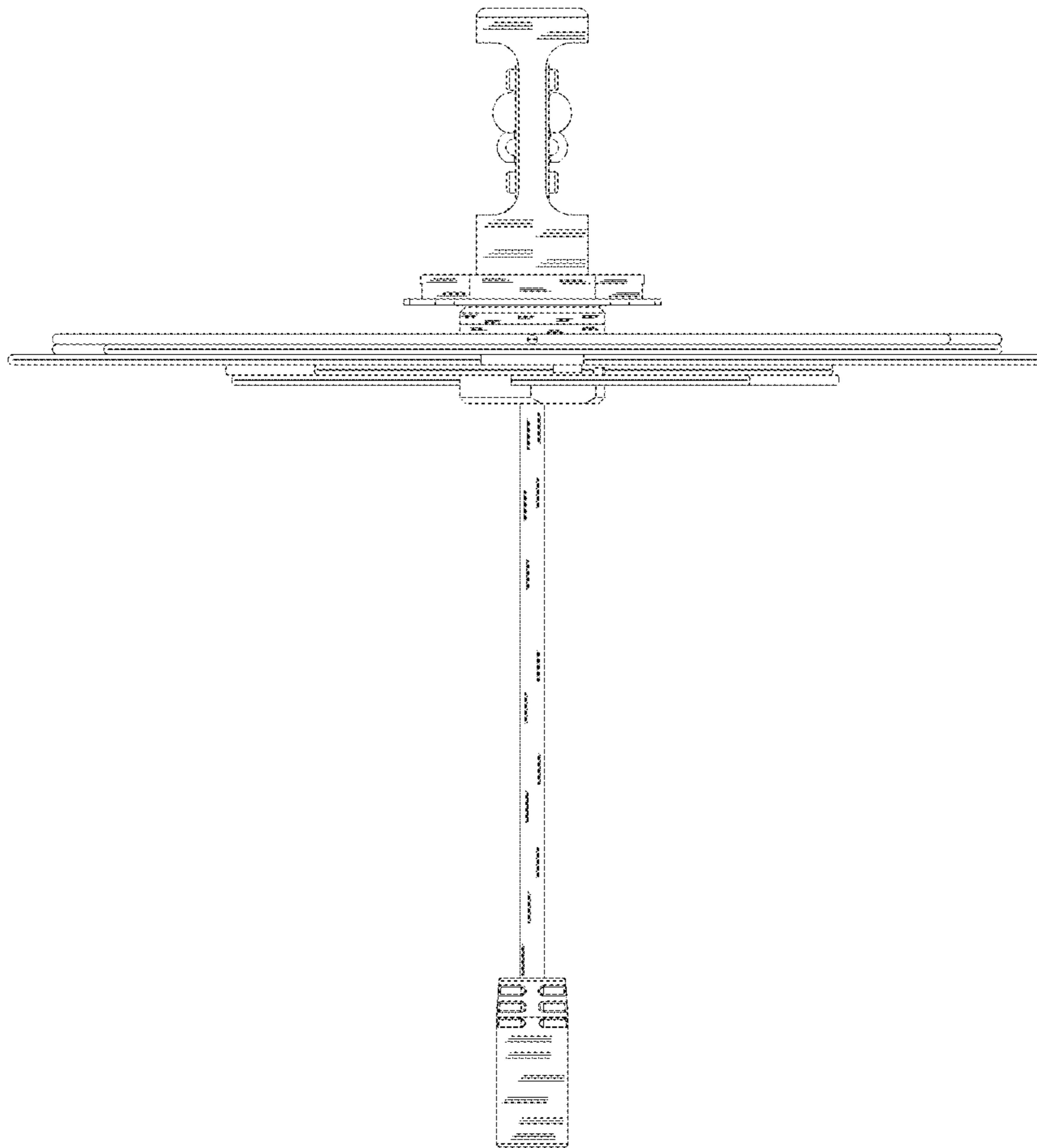


FIG.18

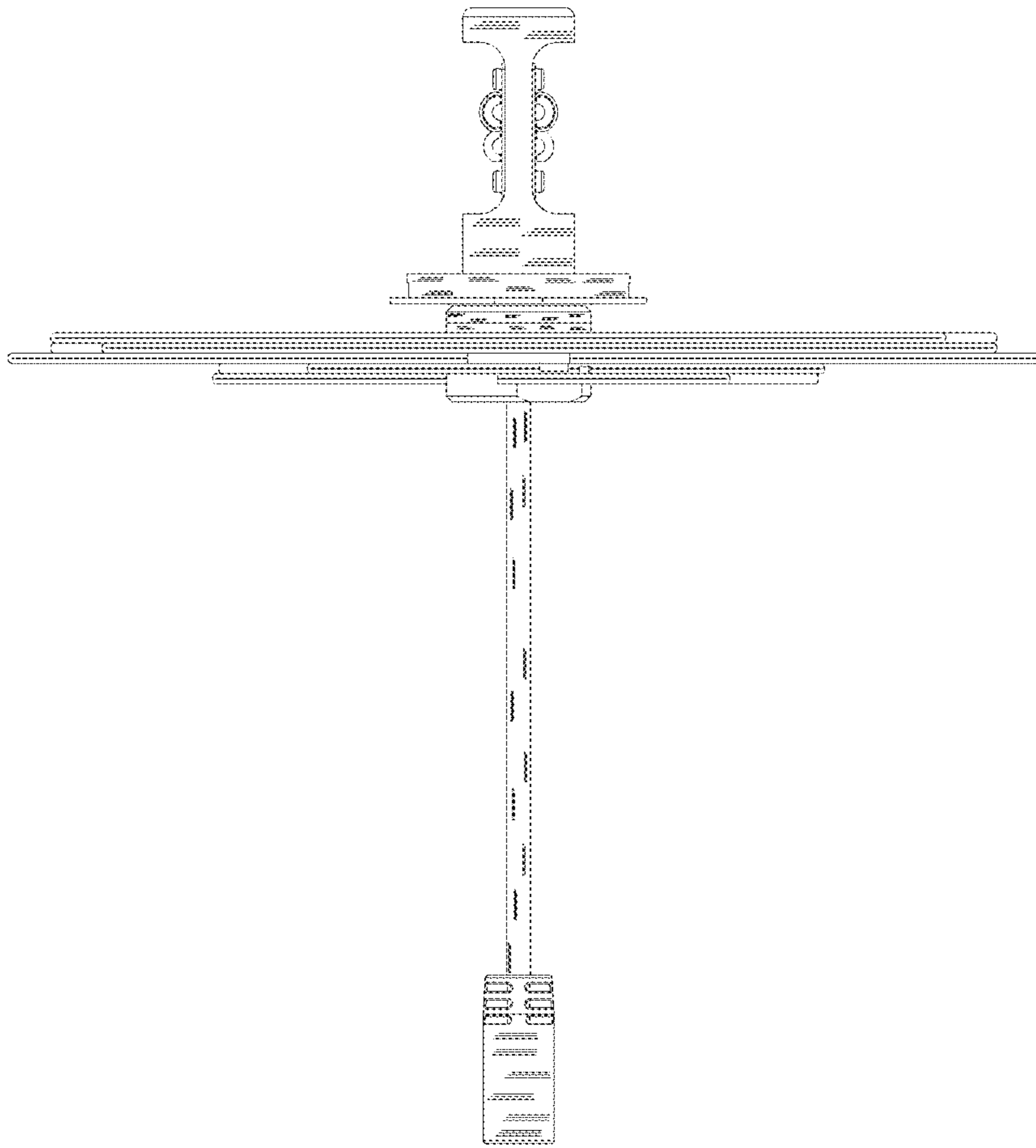


FIG.19

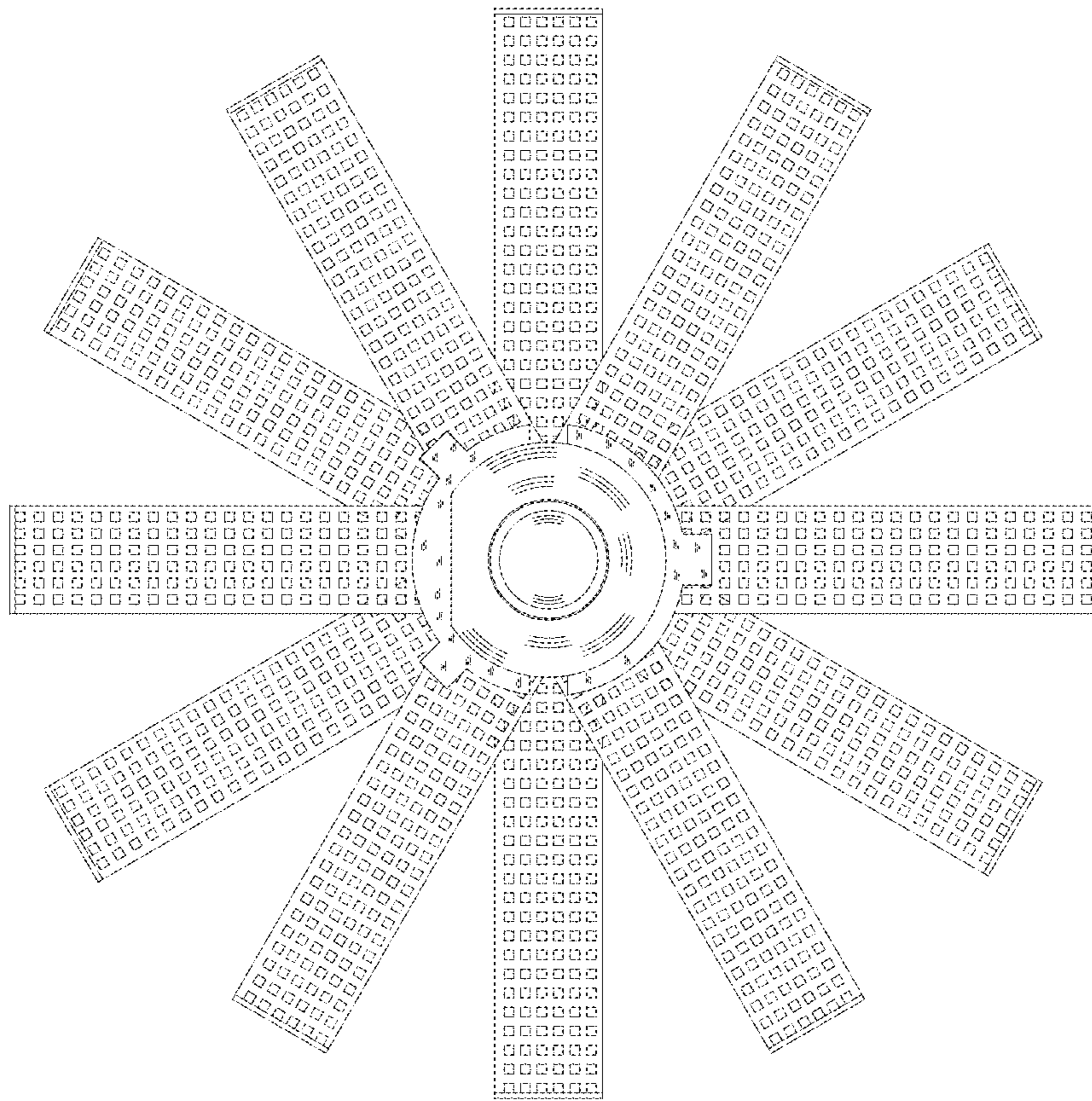


FIG.20

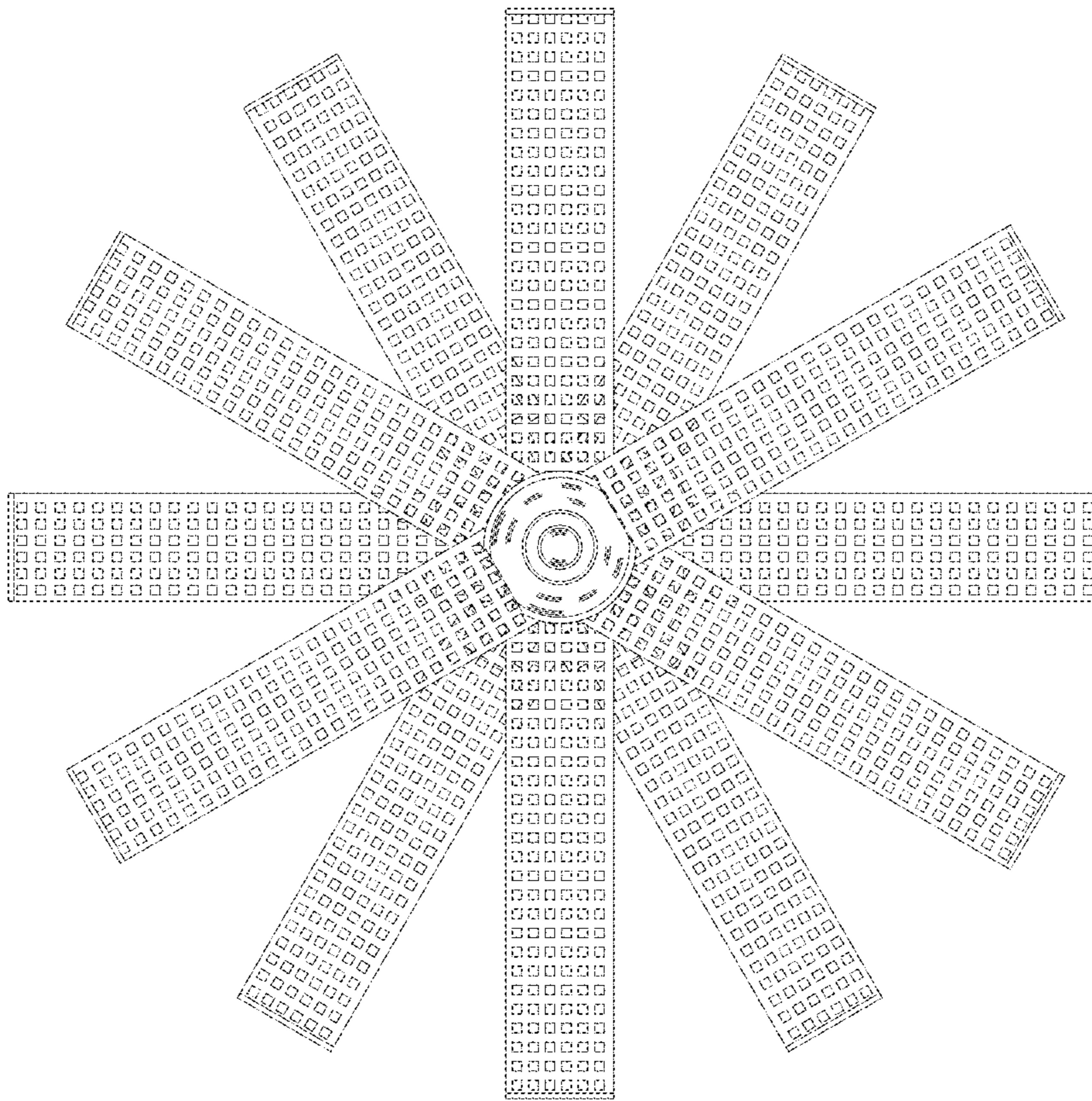


FIG.21

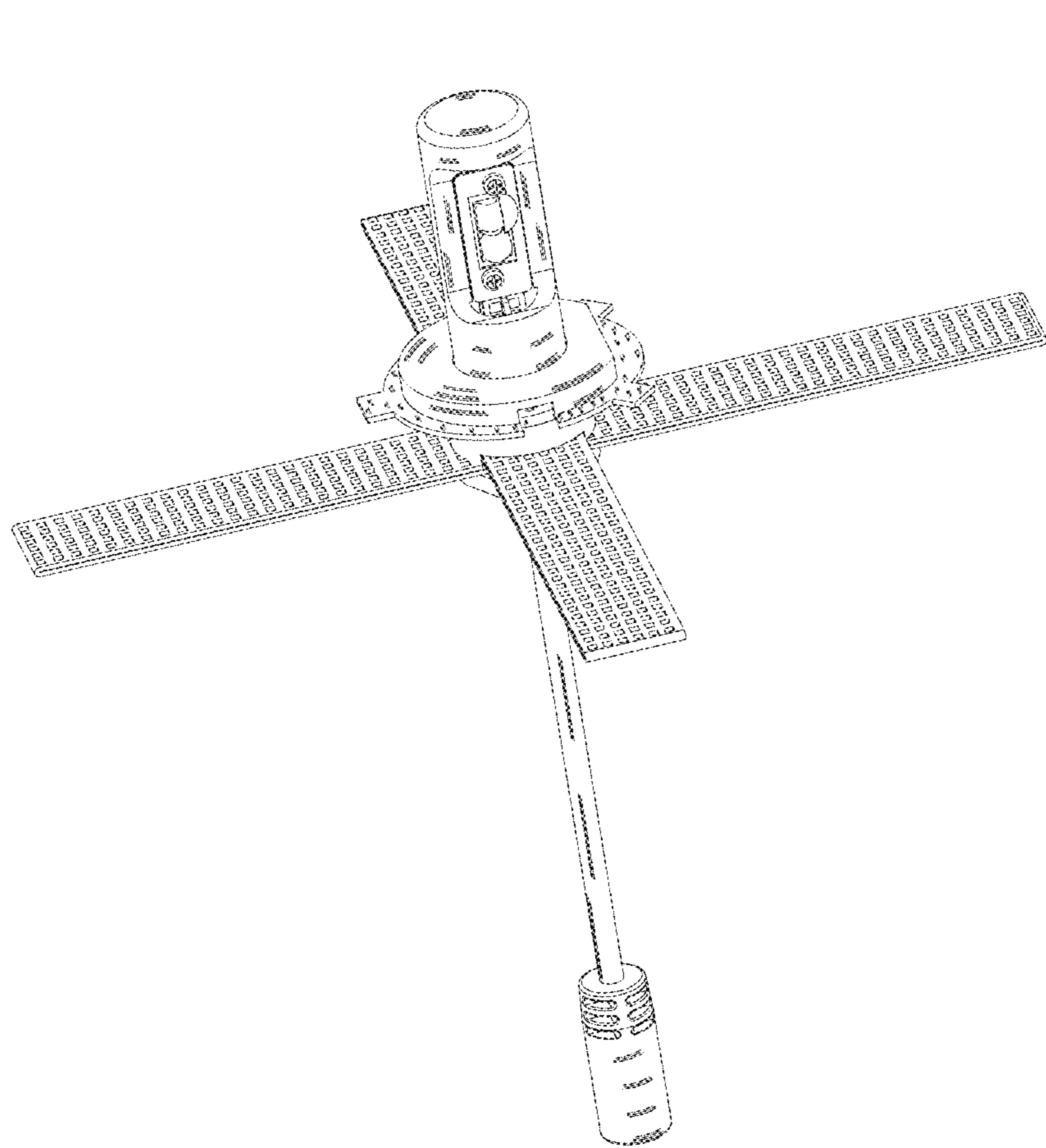


FIG.22

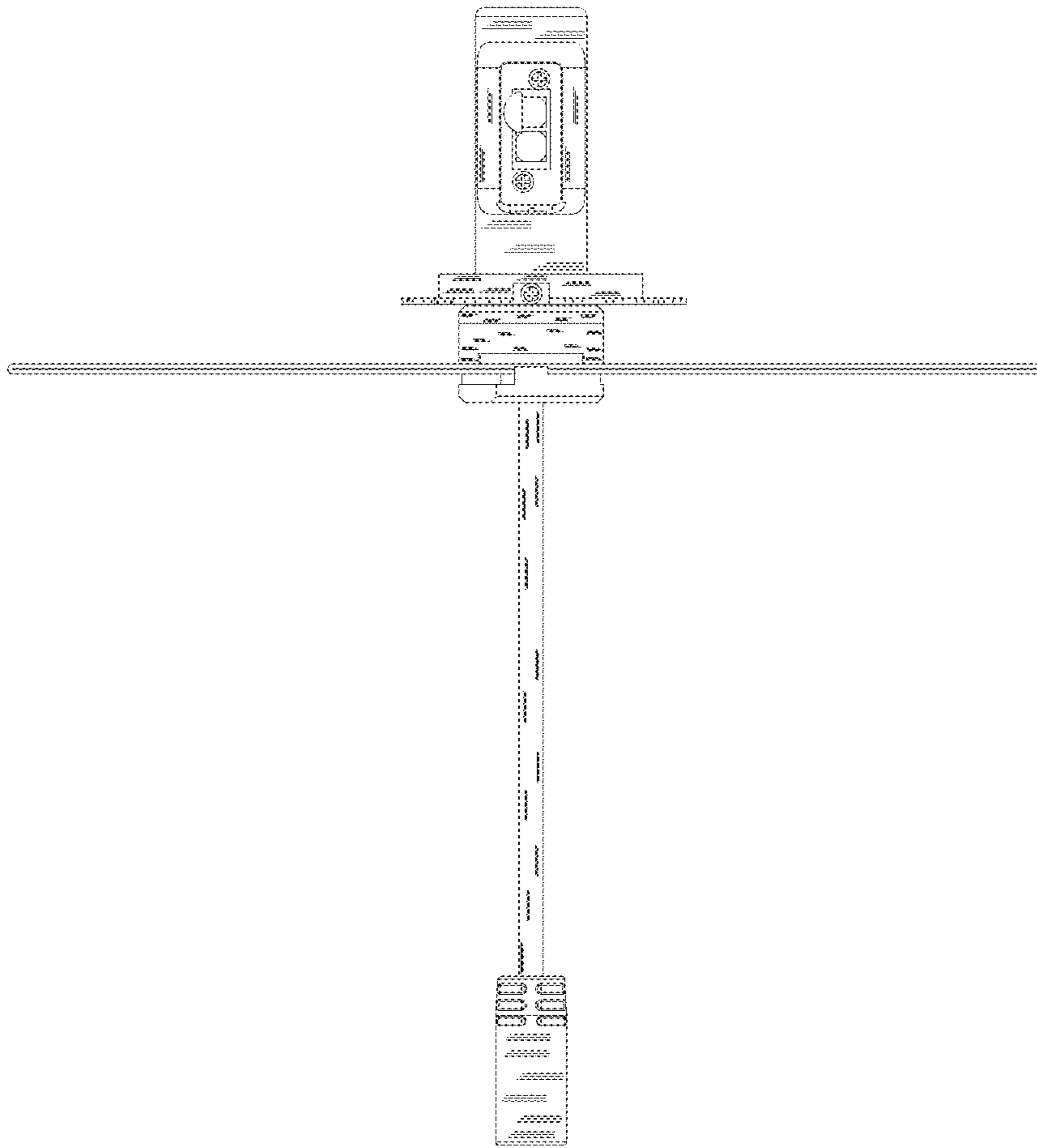


FIG.23



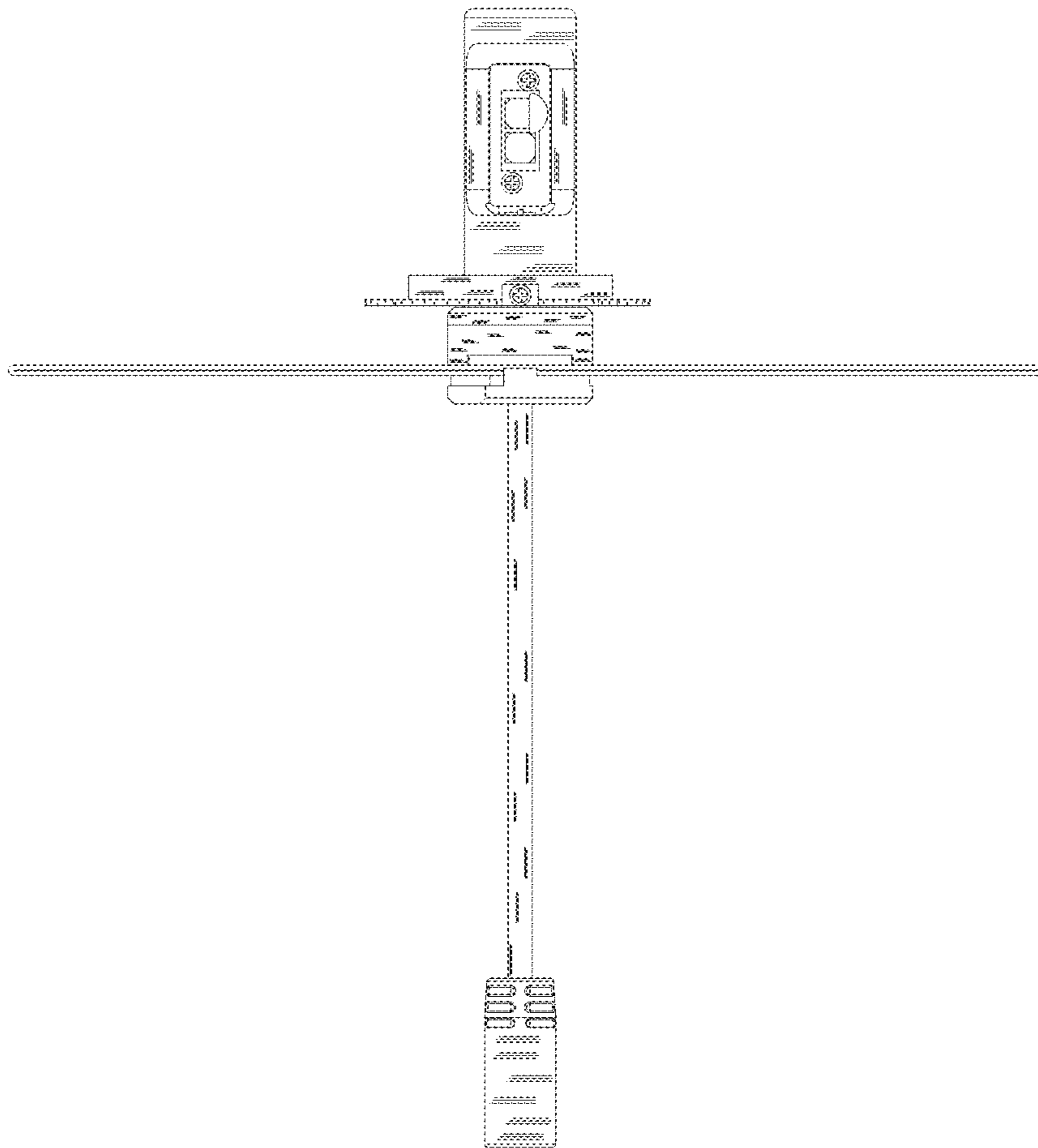


FIG.24

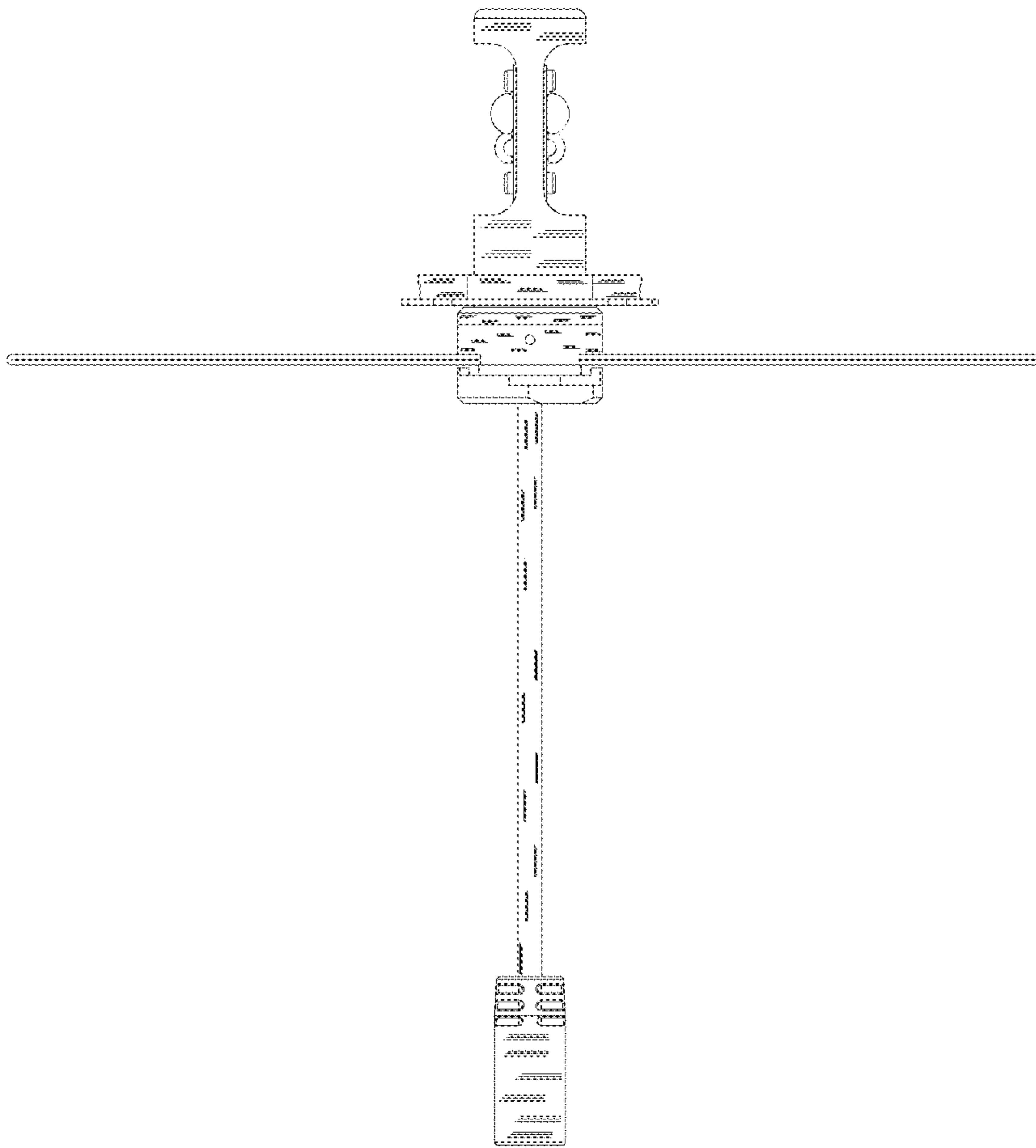


FIG.25

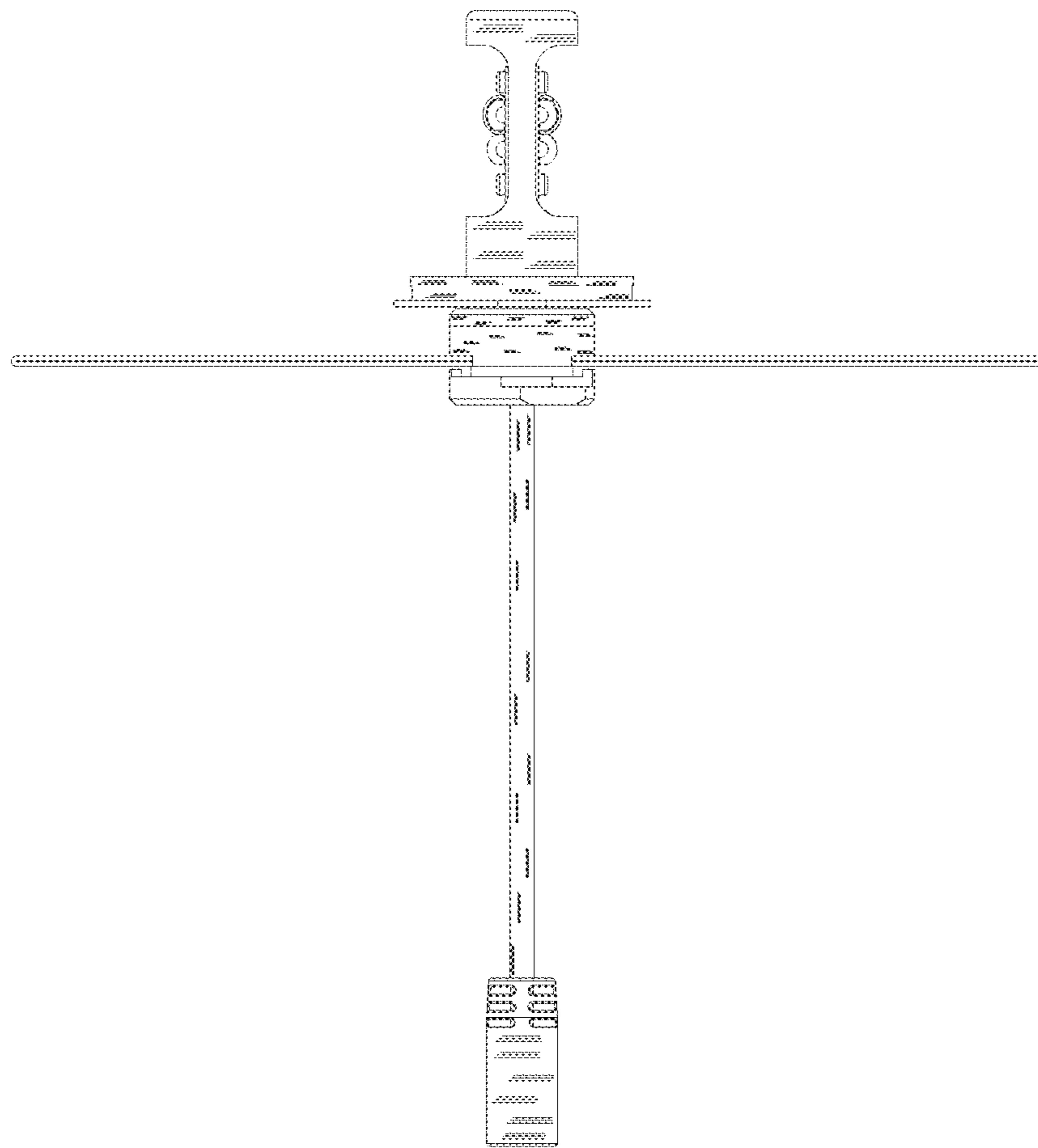


FIG.26

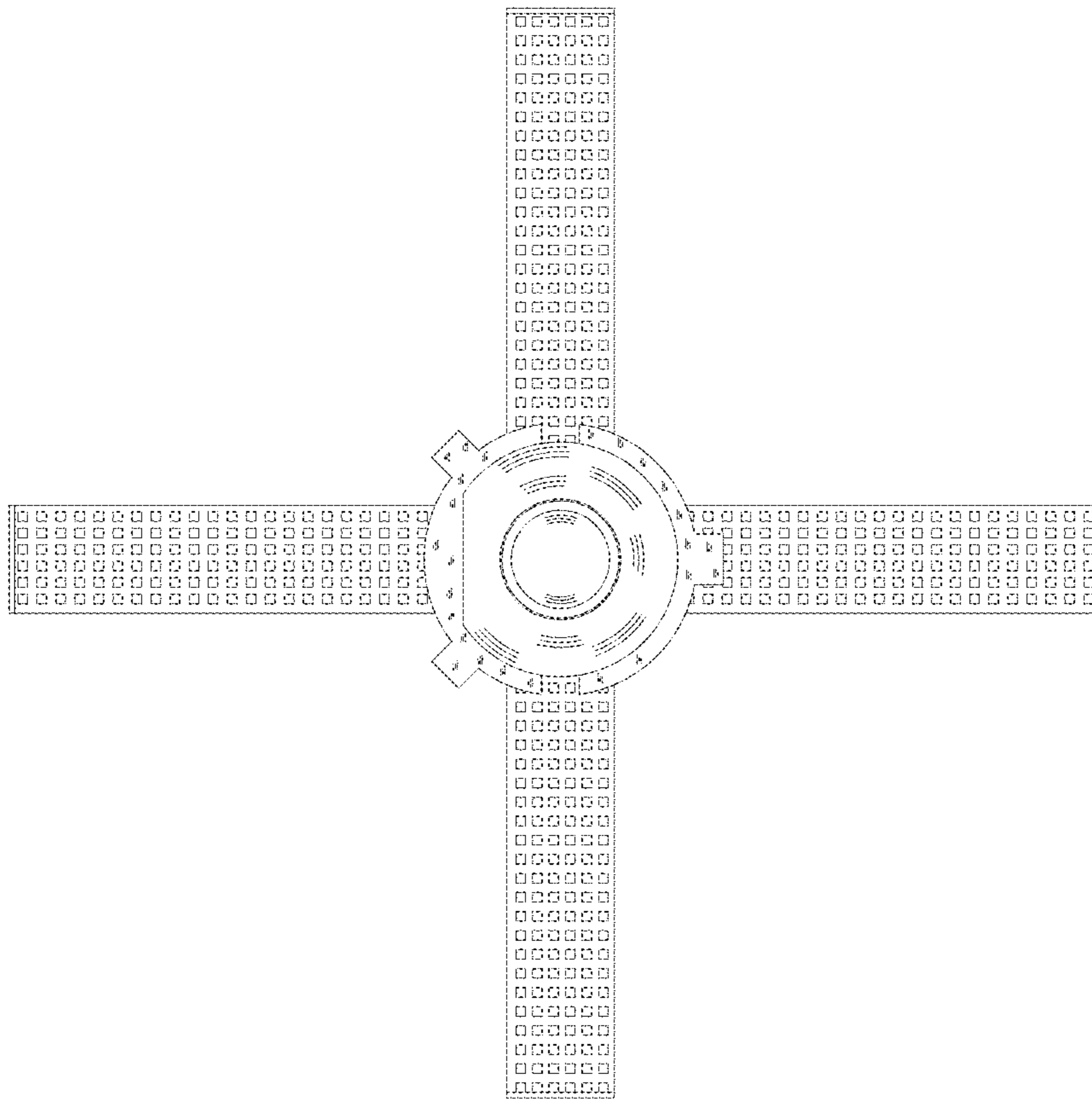


FIG.27

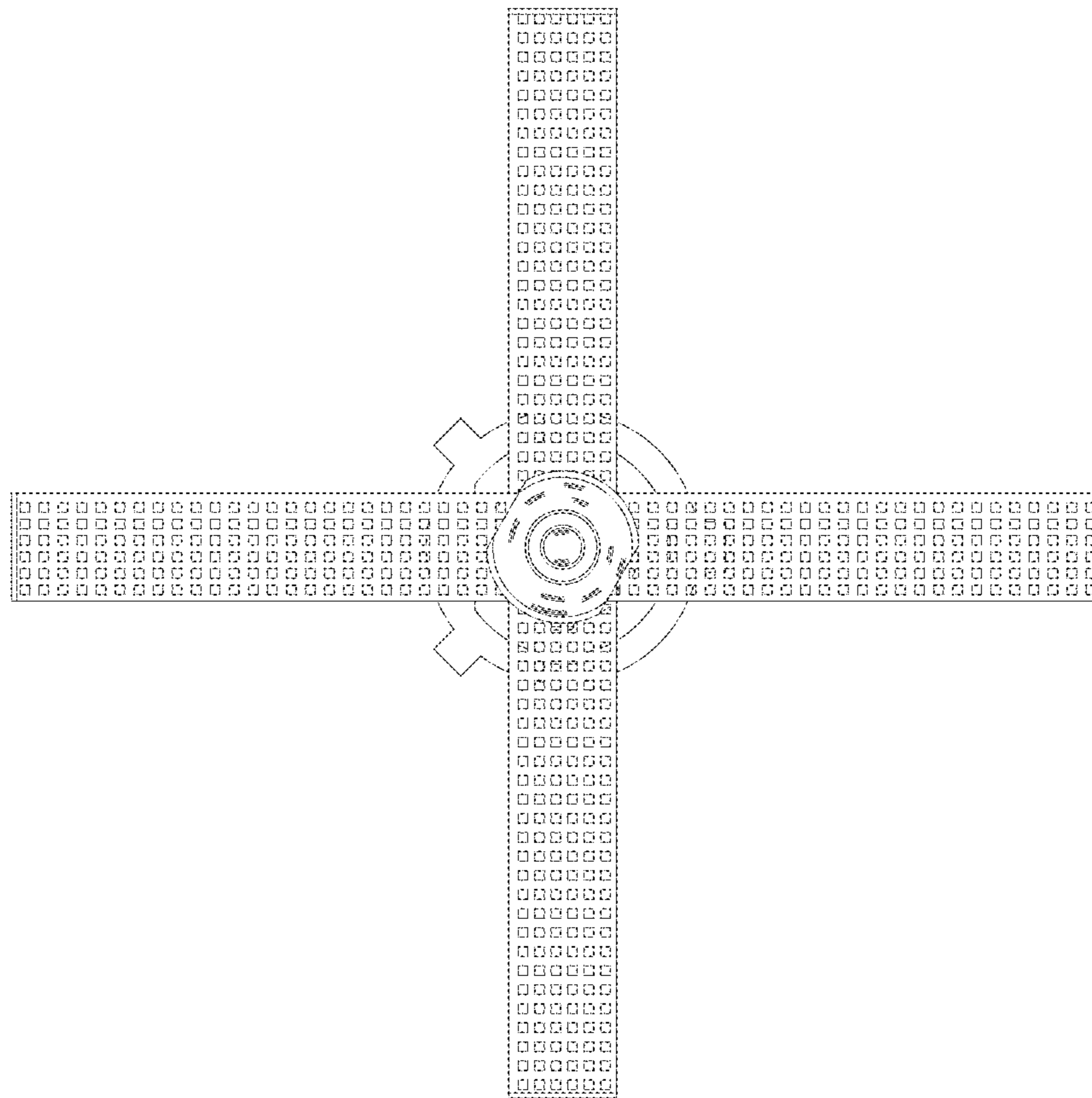


FIG.28