



US00D808048S

(12) **United States Design Patent** (10) **Patent No.:** **US D808,048 S**
Hannemann (45) **Date of Patent:** **** Jan. 16, 2018**

(54) **TAILLIGHT FOR A VEHICLE**
(71) Applicant: **Bayerische Motoren Werke Aktiengesellschaft, Munich (DE)**
(72) Inventor: **Lisa Hannemann, Tutzing (DE)**
(73) Assignee: **Bayerische Motoren Werke Aktiengesellschaft, Munich (DE)**

D642,304 S * 7/2011 Huet D26/28
D691,299 S * 10/2013 Binder D26/28
D691,308 S * 10/2013 Lai D26/28
D692,599 S * 10/2013 Kim D26/28
D708,770 S * 7/2014 Lai D26/28
D739,583 S * 9/2015 Forsgren D26/28
D752,783 S * 3/2016 Whang D26/28
D760,412 S * 6/2016 Andersson Murkett D26/28
D761,979 S * 7/2016 Wu D26/28

(**) Term: **15 Years**
(21) Appl. No.: **29/579,115**
(22) Filed: **Sep. 28, 2016**

FOREIGN PATENT DOCUMENTS

WO WO DM/049678 1/2000

* cited by examiner

Primary Examiner — Angela J Lee
(74) *Attorney, Agent, or Firm* — Crowell & Moring LLP

(30) **Foreign Application Priority Data**

Mar. 29, 2016 (DE) 40 2016 100 367

(51) **LOC (11) Cl.** **26-07**

(52) **U.S. Cl.**
USPC **D26/28**

(58) **Field of Classification Search**
USPC D26/28-36; 362/459-468, 475-478, 362/485-487
CPC F21S 48/00; F21S 48/10; F21S 48/115; F21S 48/225; F21S 48/1233; F21S 48/1266; F21S 48/1388; F21S 48/2268; F21V 21/04
See application file for complete search history.

(57) **CLAIM**

The ornamental design for a taillight for a vehicle, as shown and described.

DESCRIPTION

This application contains subject matter related to the following co-pending U.S. design patent application: Application Ser. No. 29/579,102, filed herewith and entitled "Vehicle, Toy, and/or Replicas Thereof".

FIG. 1 is a front view of a taillight for a vehicle according to the design;

FIG. 2 is a left, front perspective view thereof;

FIG. 3 is a right, front perspective view thereof;

FIG. 4 is a left side view thereof;

FIG. 5 is a right side view thereof;

FIG. 6 is a top view thereof;

FIG. 7 is a bottom view thereof; and,

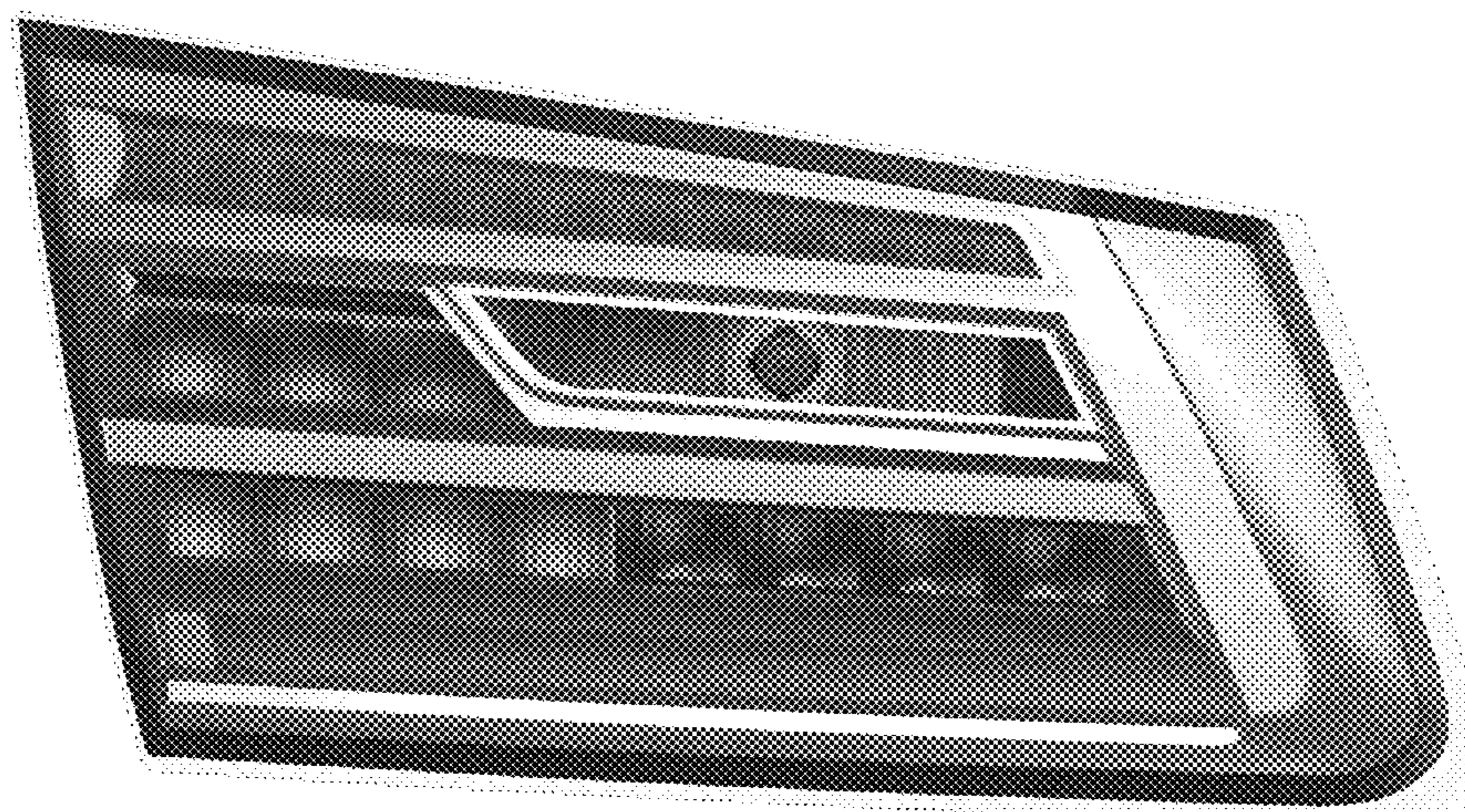
FIG. 8 is a rear view thereof.

(56) **References Cited**

U.S. PATENT DOCUMENTS

D579,592 S * 10/2008 Matsunami D26/28
D605,793 S * 12/2009 Weil D26/28
D607,590 S * 1/2010 Weil D26/28
D635,697 S * 4/2011 Shin D26/28

1 Claim, 8 Drawing Sheets



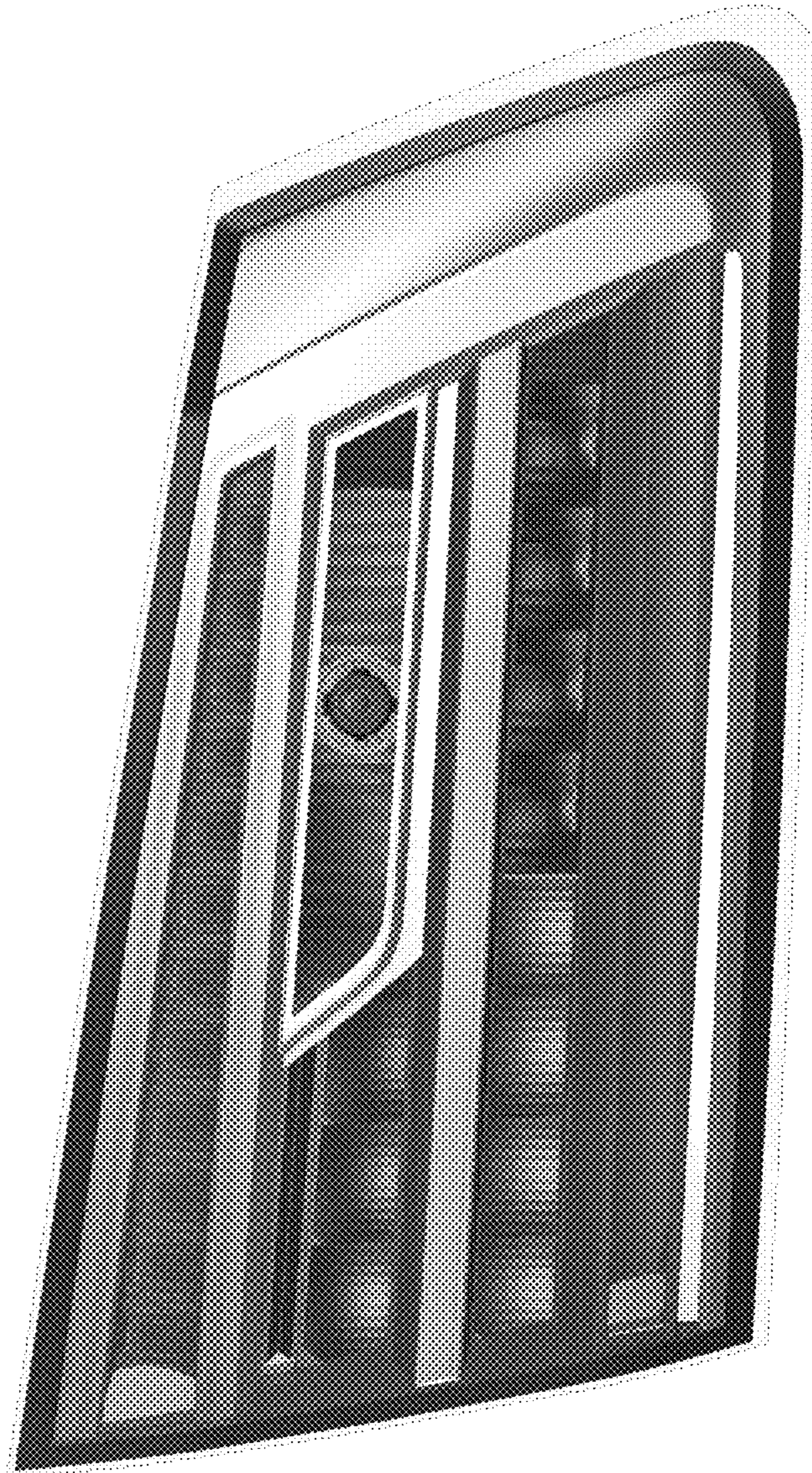


Fig. 1

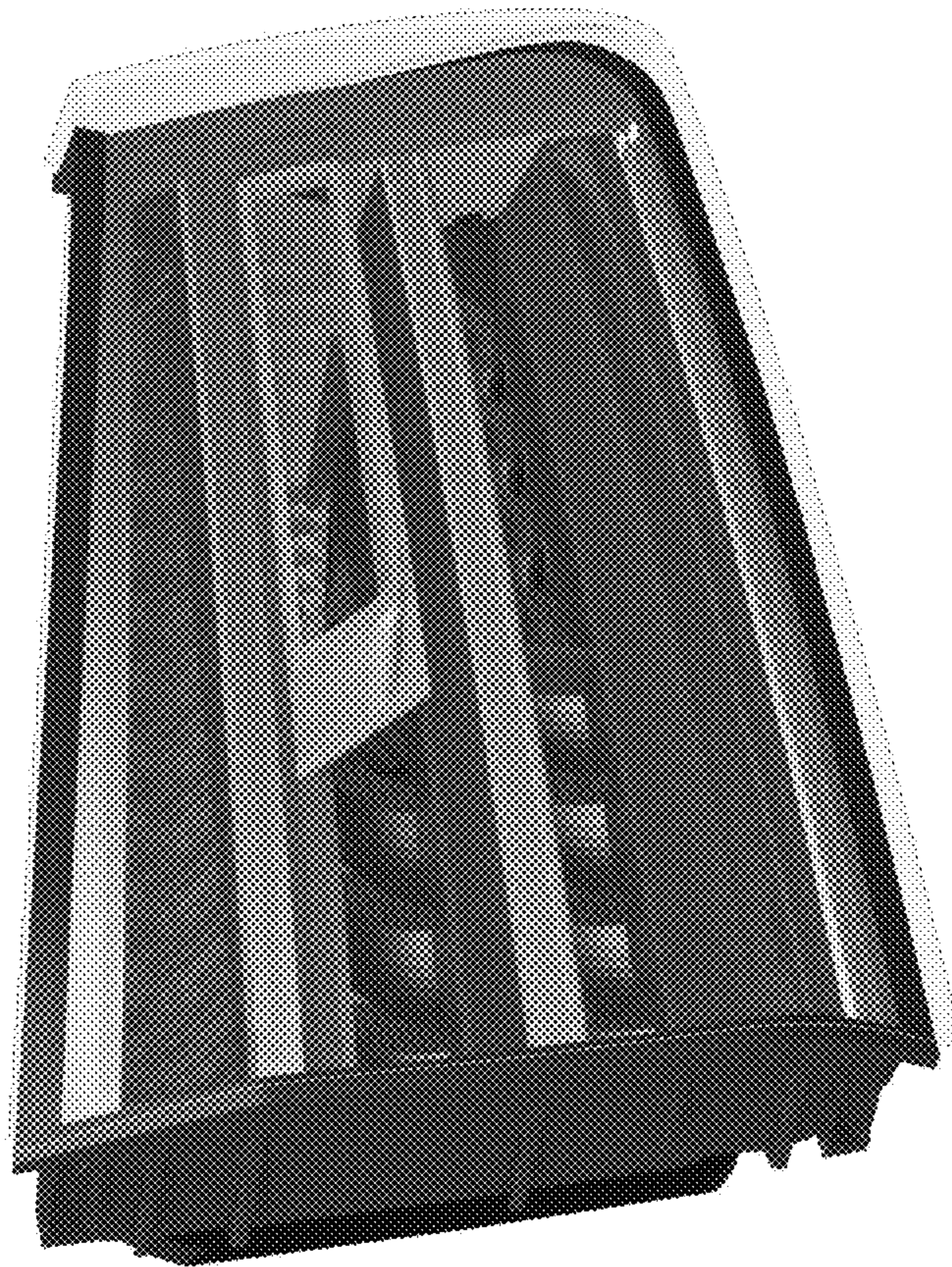


Fig. 2

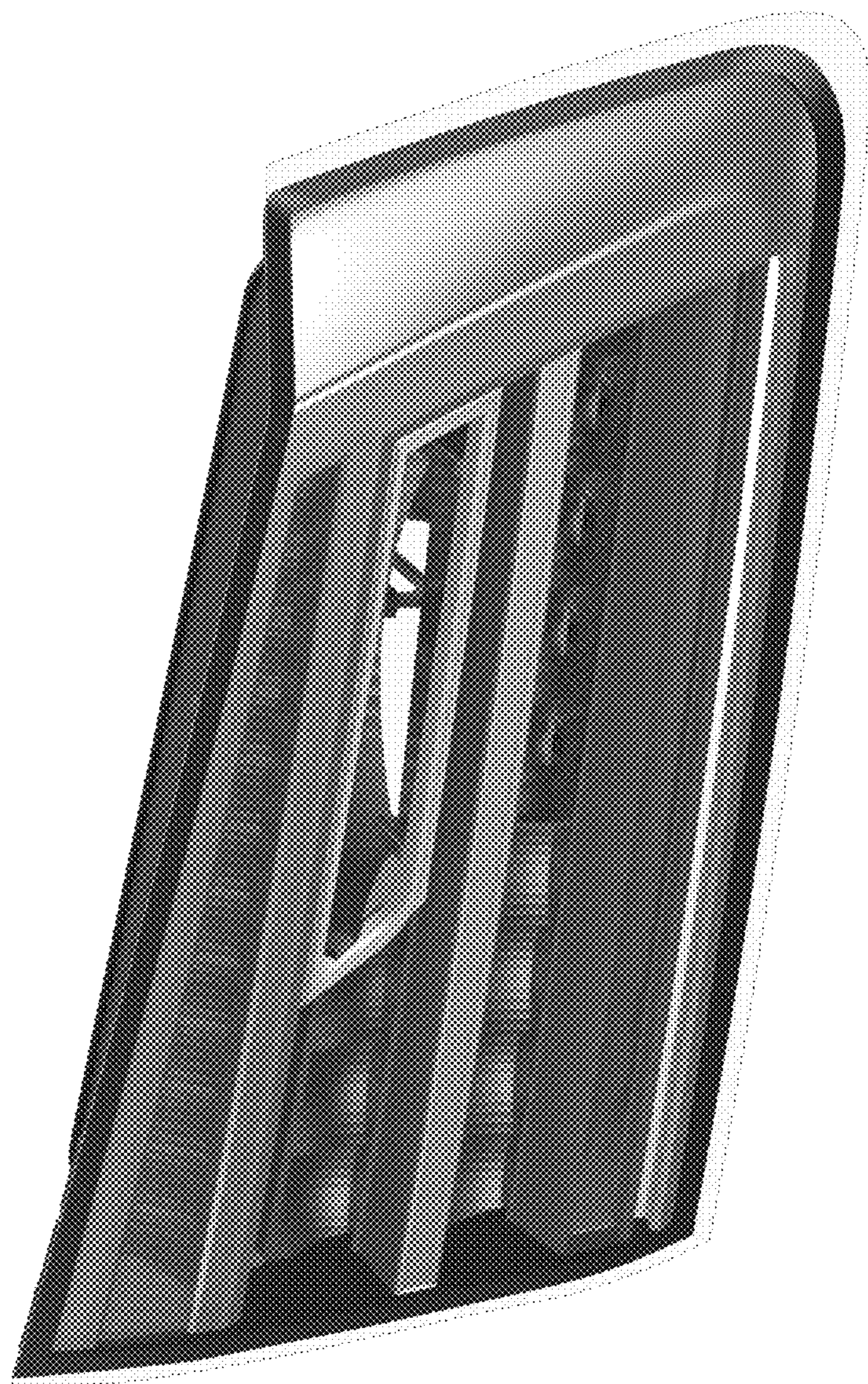


Fig. 3

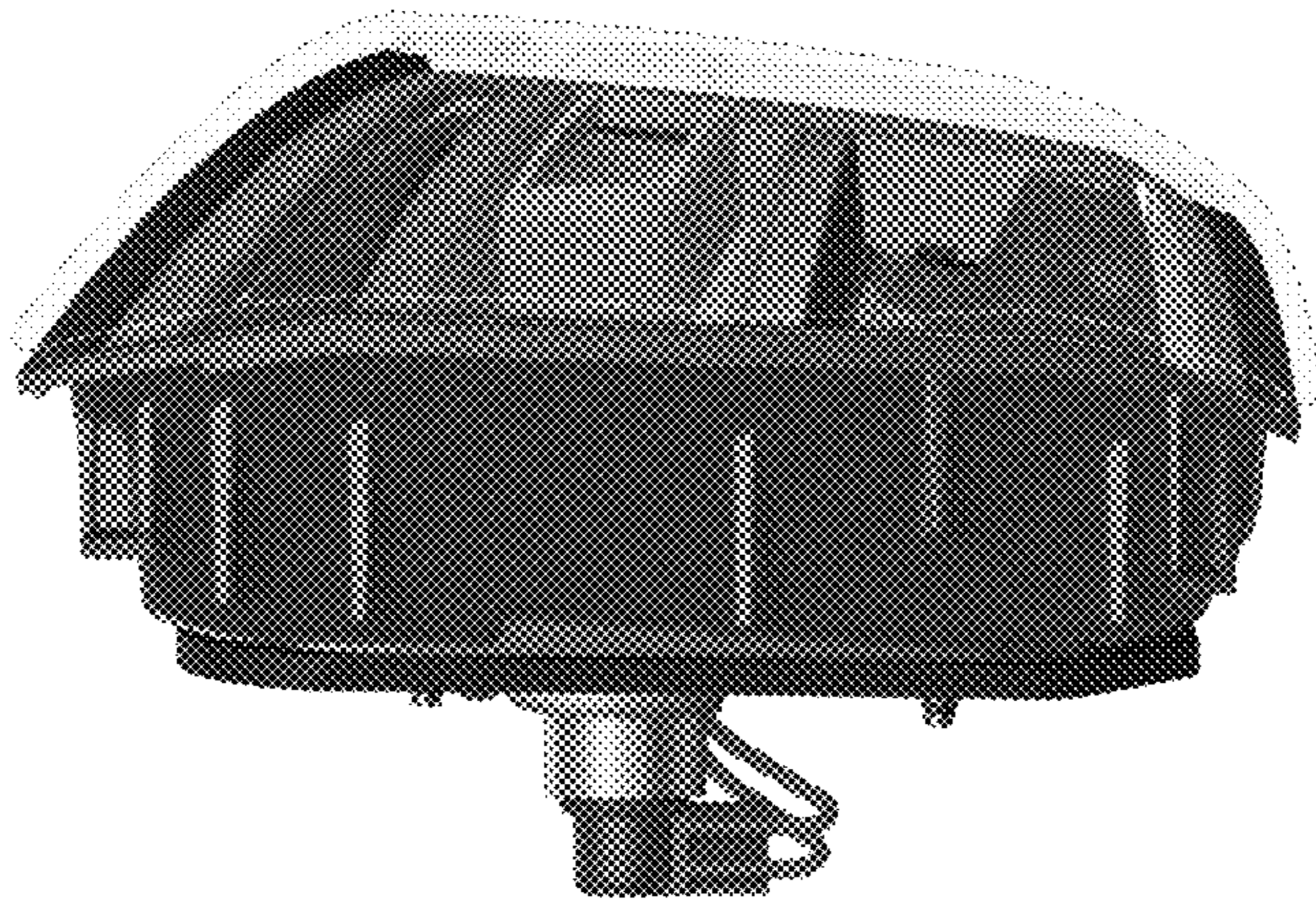


Fig. 4

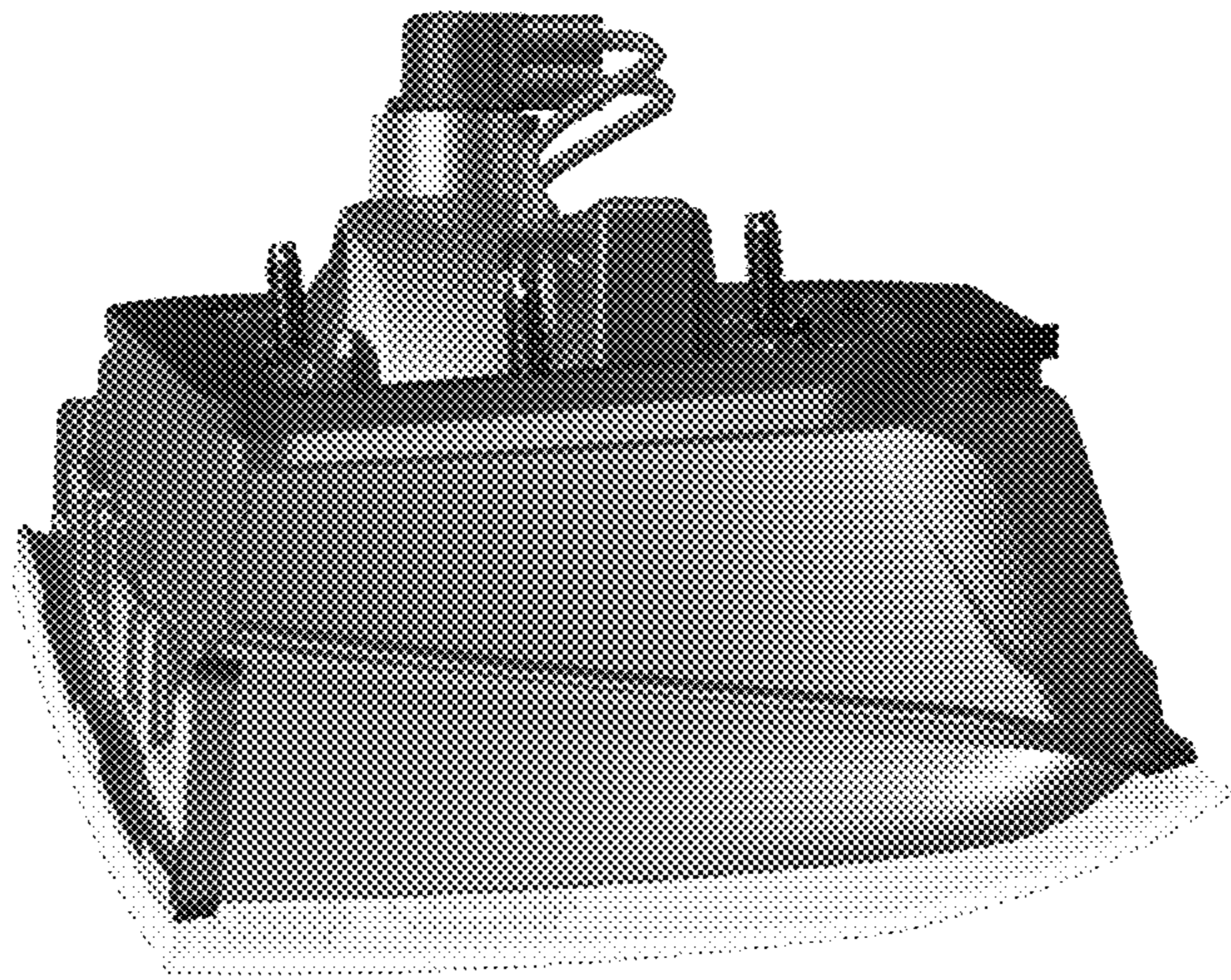


Fig. 5

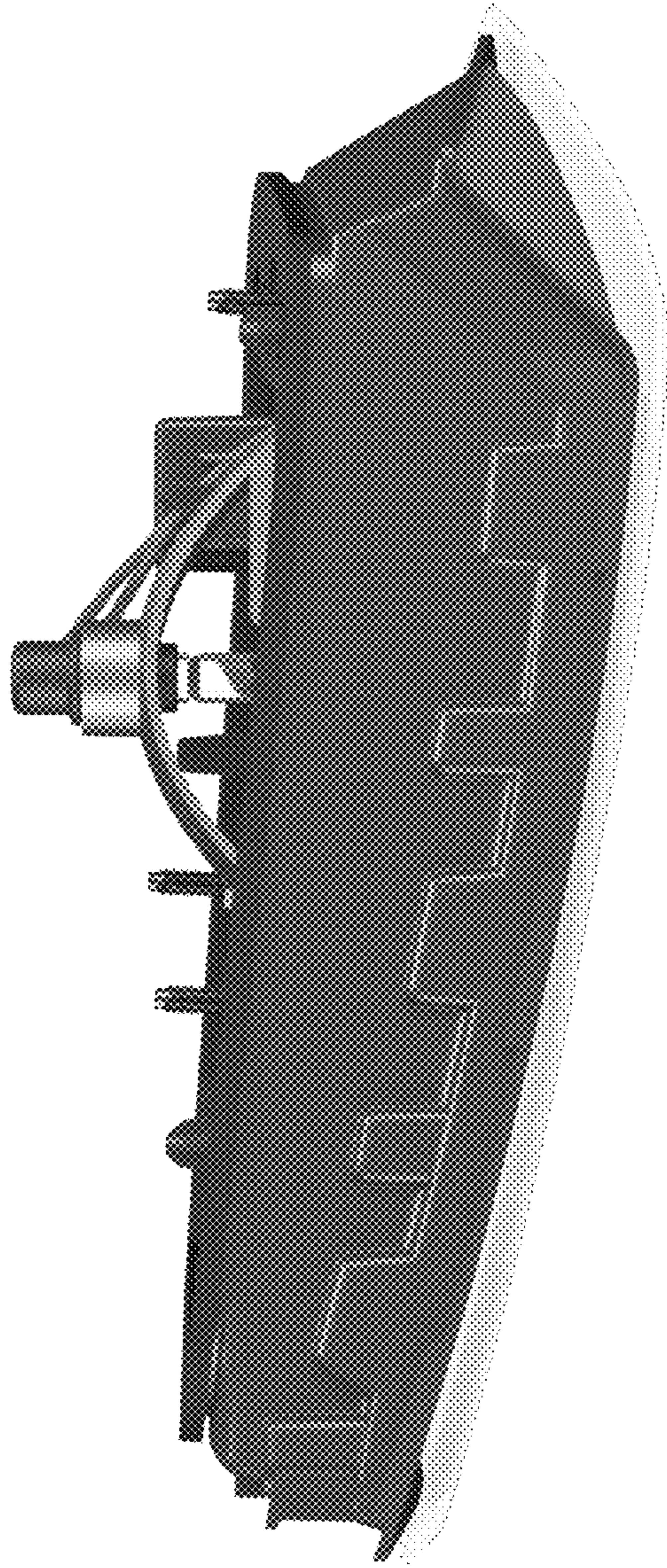


Fig. 6

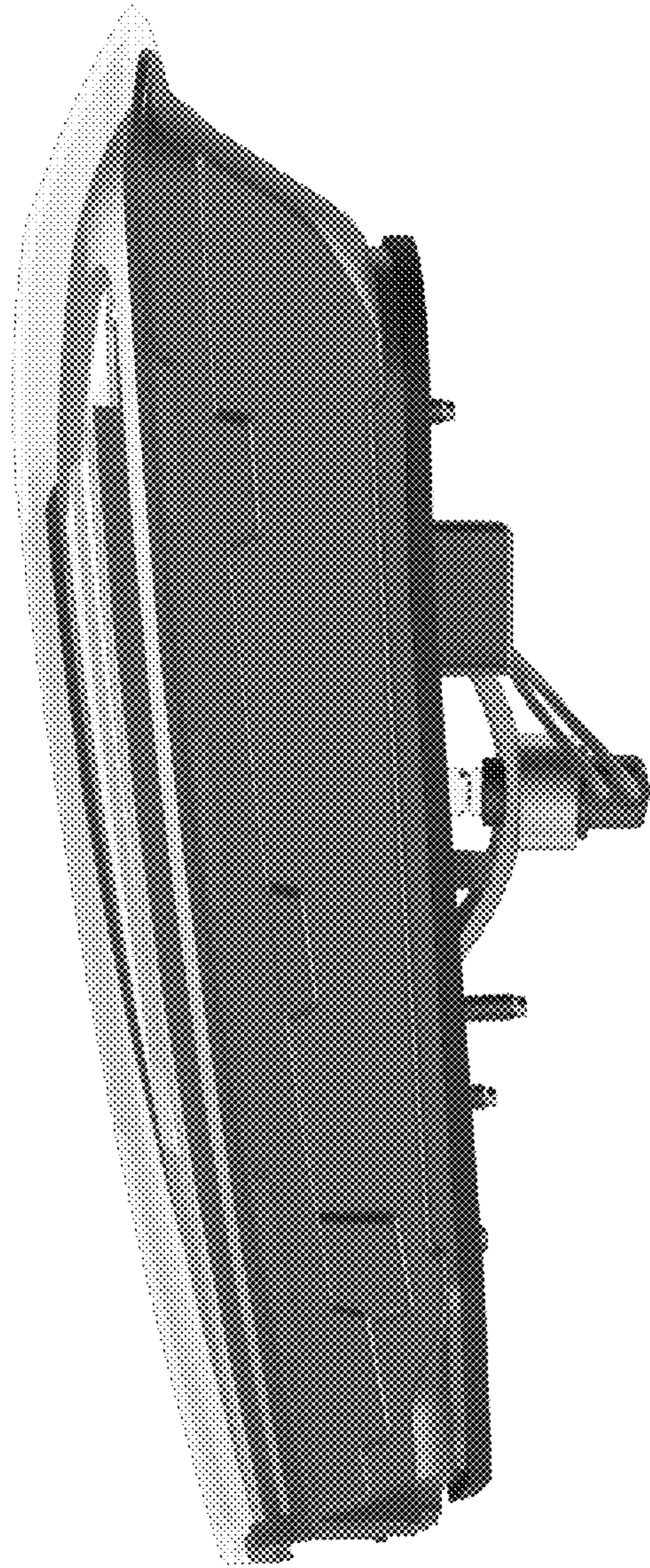


Fig. 7

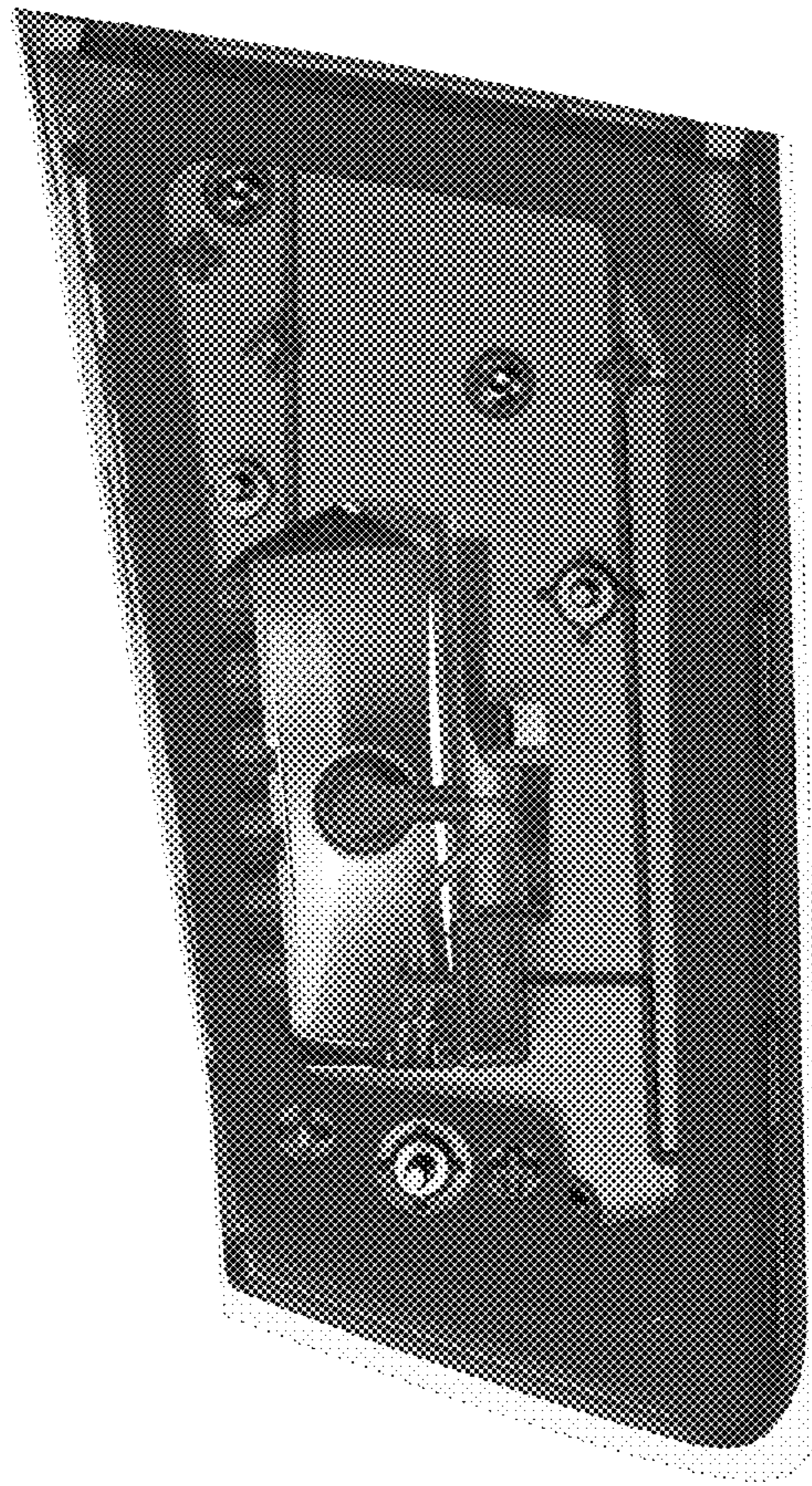


Fig. 8