



US00D808047S

(12) **United States Design Patent**
Hannemann

(10) **Patent No.:** **US D808,047 S**
(45) **Date of Patent:** **** Jan. 16, 2018**

- (54) **TAILLIGHT FOR A VEHICLE**
- (71) Applicant: **Bayerische Motoren Werke Aktiengesellschaft, Munich (DE)**
- (72) Inventor: **Lisa Hannemann, Tutzing (DE)**
- (73) Assignee: **Bayerische Motoren Werke Aktiengesellschaft, Munich (DE)**

D739,583 S *	9/2015	Forsgren	D26/28
D740,979 S *	10/2015	Lee	D26/28
D752,253 S *	3/2016	Loeb	D26/28
D752,783 S *	3/2016	Whang	D26/28
D753,324 S *	4/2016	Rupar	D26/28
D760,410 S *	6/2016	Arroba	D26/28
D761,455 S *	7/2016	Futschik	D26/28
D761,459 S *	7/2016	Binder	D26/28
D761,979 S *	7/2016	Wu	D26/28

- (**) Term: **15 Years**
- (21) Appl. No.: **29/579,114**
- (22) Filed: **Sep. 28, 2016**

FOREIGN PATENT DOCUMENTS

WO	DM/078972	2/2013
WO	DM/079908	7/2013

* cited by examiner

Primary Examiner — Angela J Lee

(74) *Attorney, Agent, or Firm* — Crowell & Moring LLP

(30) **Foreign Application Priority Data**

Mar. 29, 2016 (DE) 40 2016 100 367

- (51) **LOC (11) Cl.** **26-07**
- (52) **U.S. Cl.**
USPC **D26/28**

(57) **CLAIM**

The ornamental design for a taillight for a vehicle, as shown and described.

- (58) **Field of Classification Search**
USPC D26/28-36; 362/459-468, 475-478, 362/485-487
CPC F21S 48/00; F21S 48/10; F21S 48/115; F21S 48/225; F21S 48/1233; F21S 48/1266; F21S 48/1388; F21S 48/2268; F21V 21/04
See application file for complete search history.

DESCRIPTION

This application contains subject matter related to the following co-pending U.S. design patent application:

Application Ser. No. 29/579,102, filed herewith and entitled "Vehicle, Toy, and/or Replicas Thereof".

FIG. 1 is a front view of a taillight for a vehicle according to the design;

FIG. 2 is a left, front perspective view thereof;

FIG. 3 is a right, front perspective view thereof;

FIG. 4 is a left side view thereof;

FIG. 5 is a right side view thereof;

FIG. 6 is a top view thereof;

FIG. 7 is a bottom view thereof; and,

FIG. 8 is a rear view thereof.

(56) **References Cited**

U.S. PATENT DOCUMENTS

D607,590 S *	1/2010	Weil	D26/28
D691,308 S *	10/2013	Lai	D26/28
D692,599 S *	10/2013	Kim	D26/28
D720,484 S	12/2014	Nordmann	
D739,582 S	9/2015	Forsgren	

1 Claim, 8 Drawing Sheets

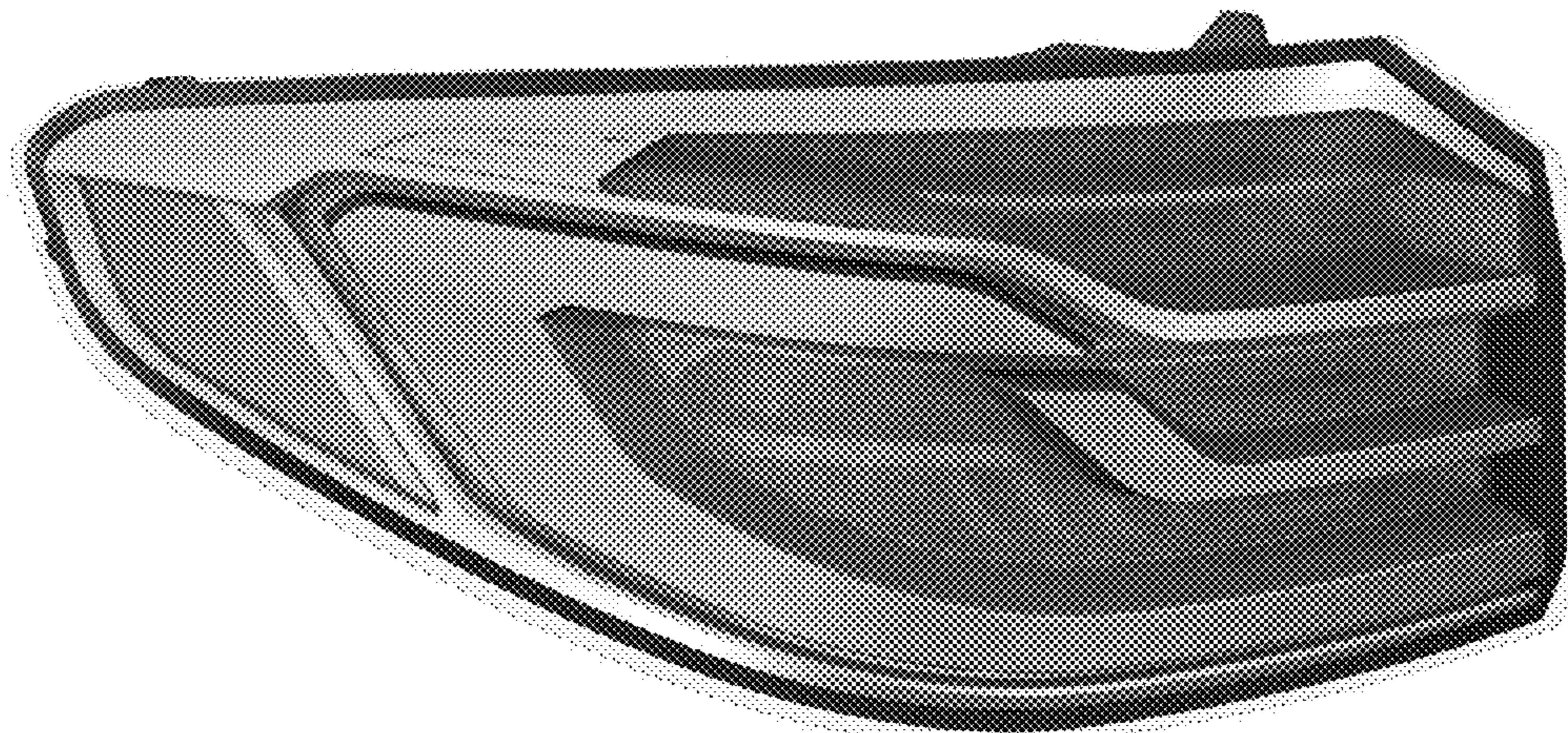




Fig. 1

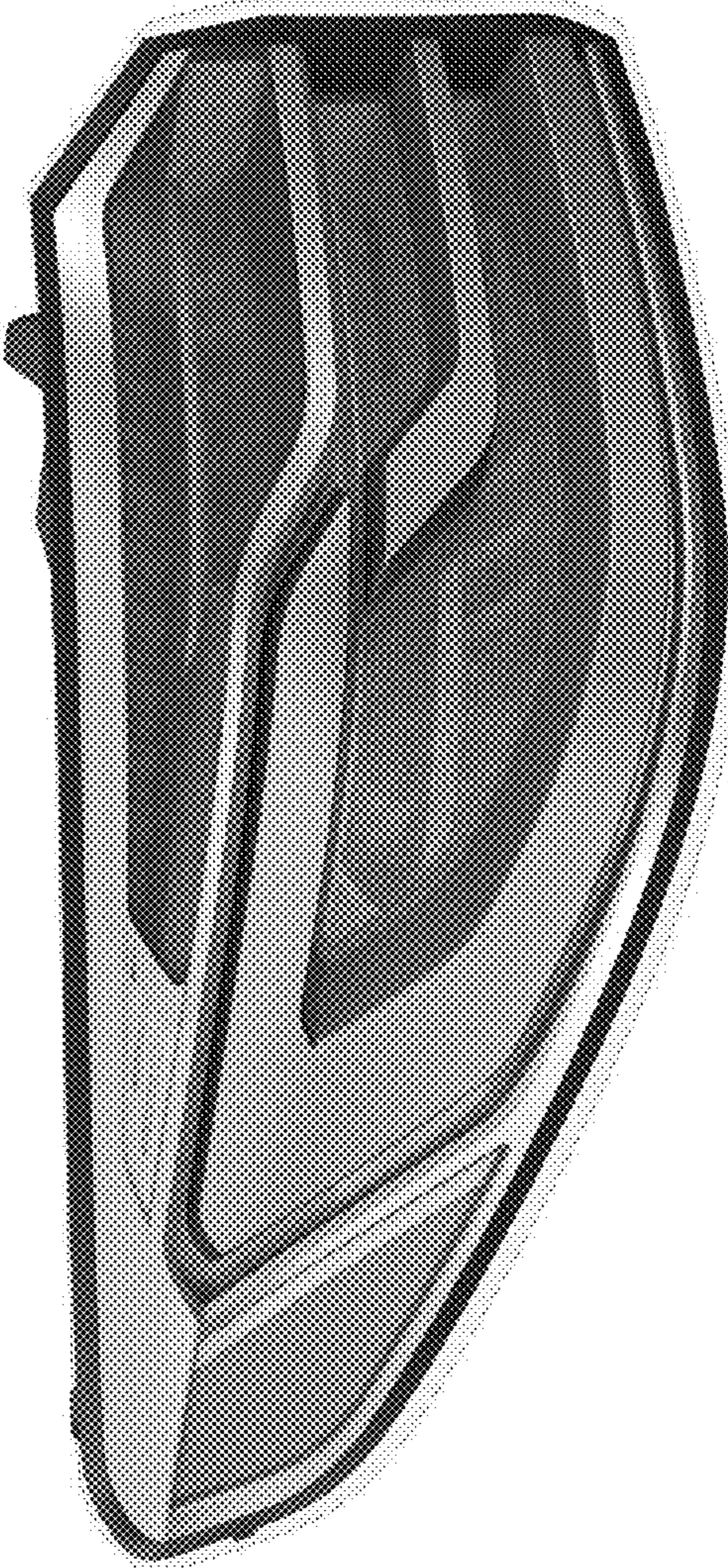


Fig. 2



Fig. 3

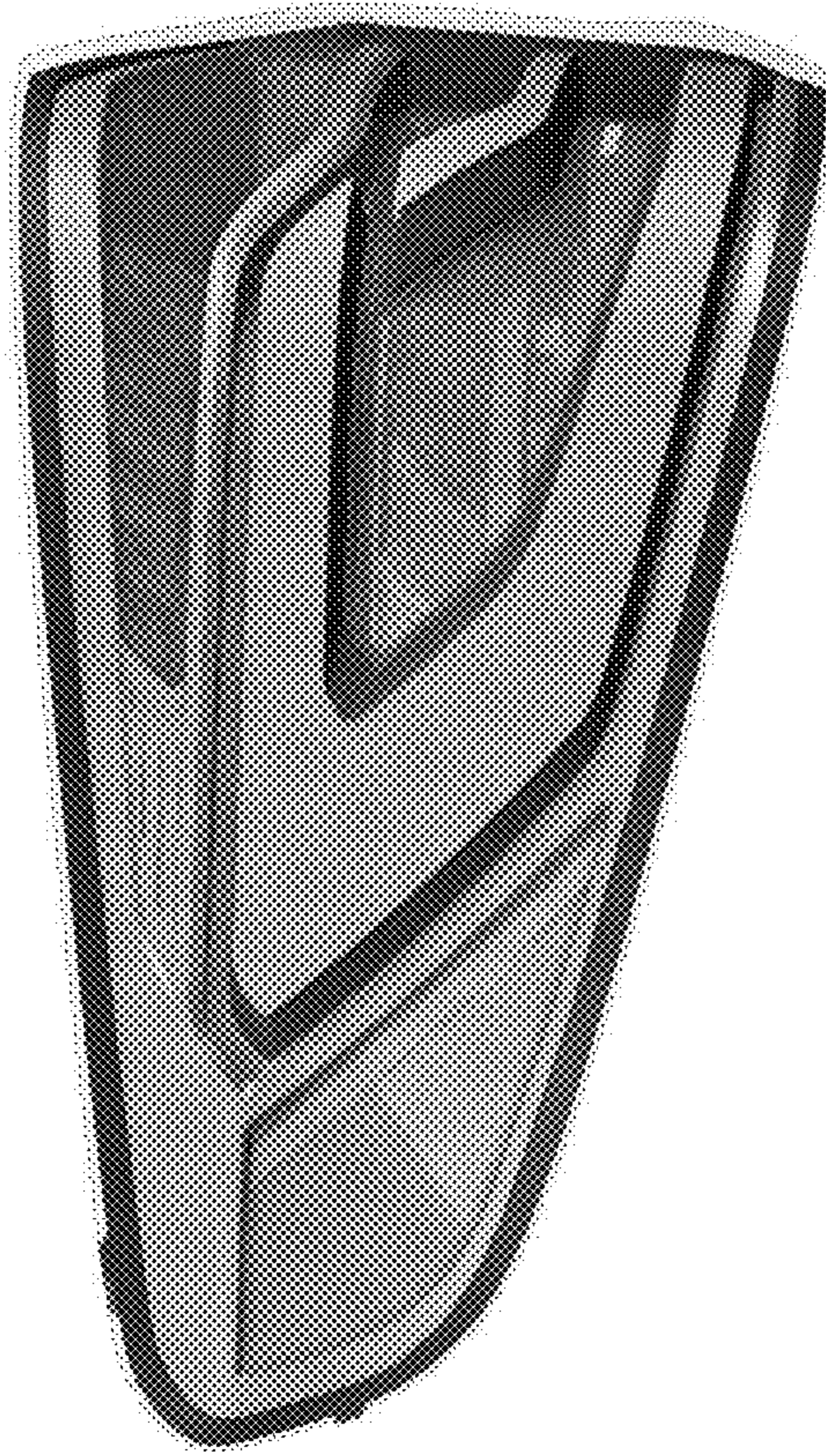


Fig. 4

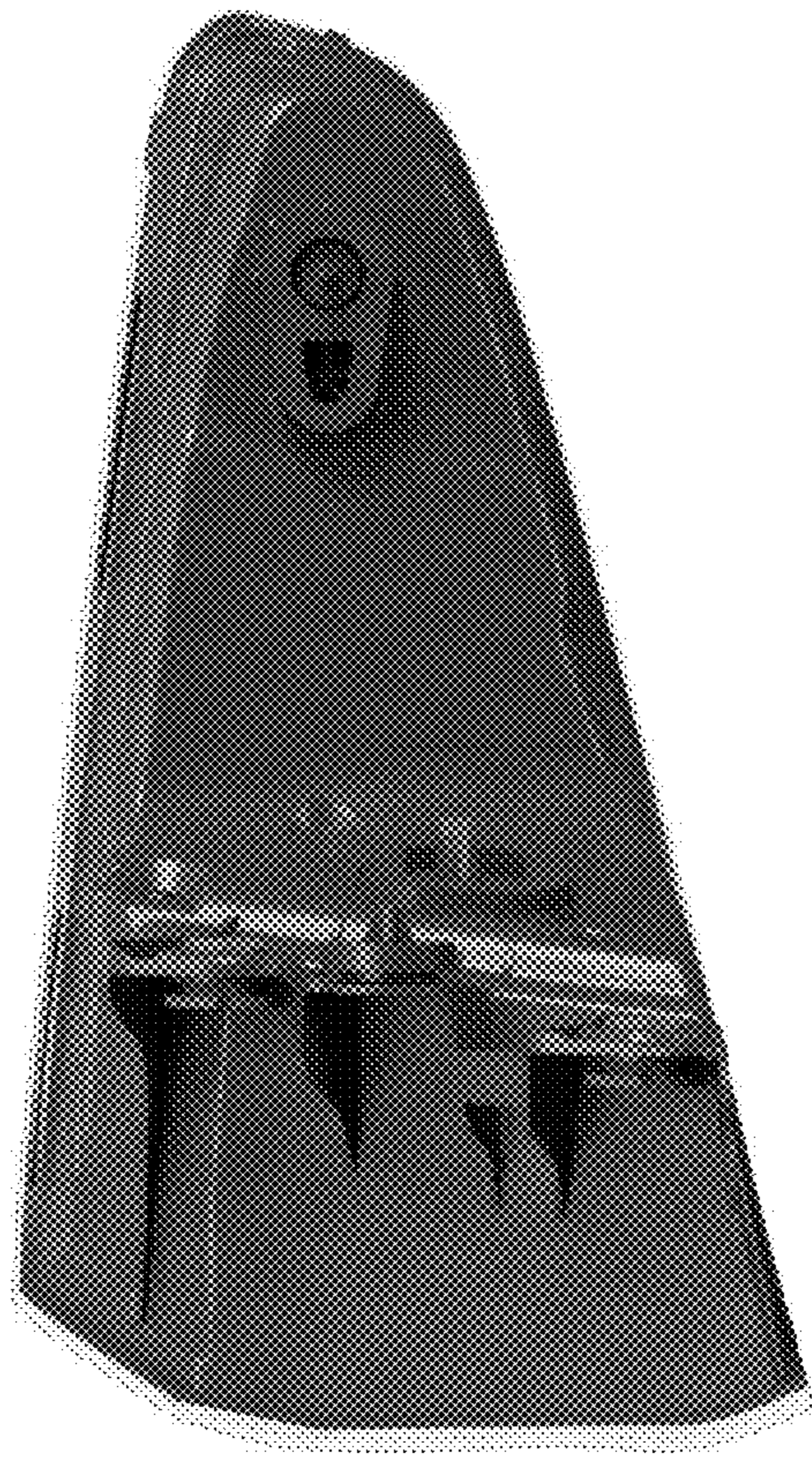


Fig. 5

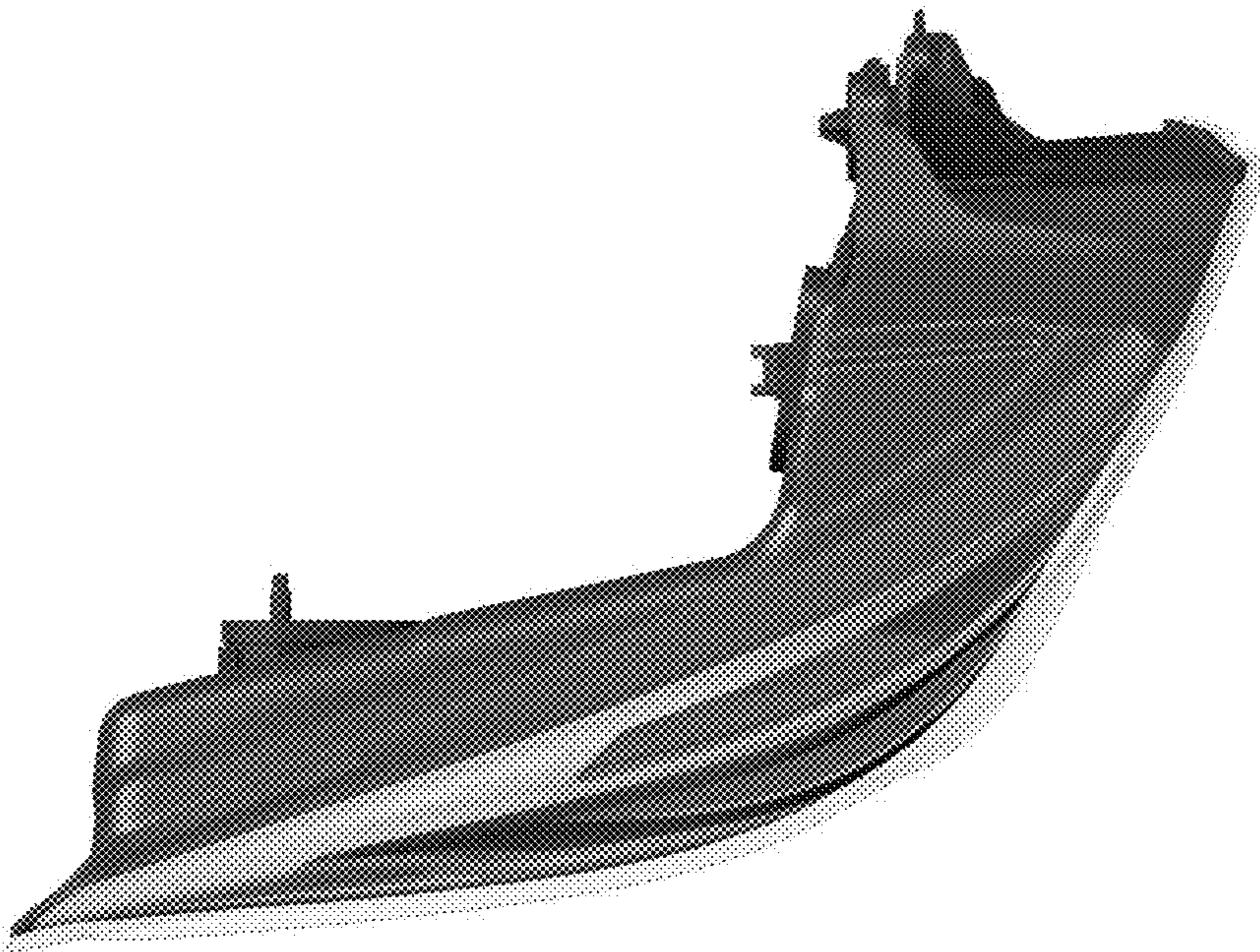


Fig. 6

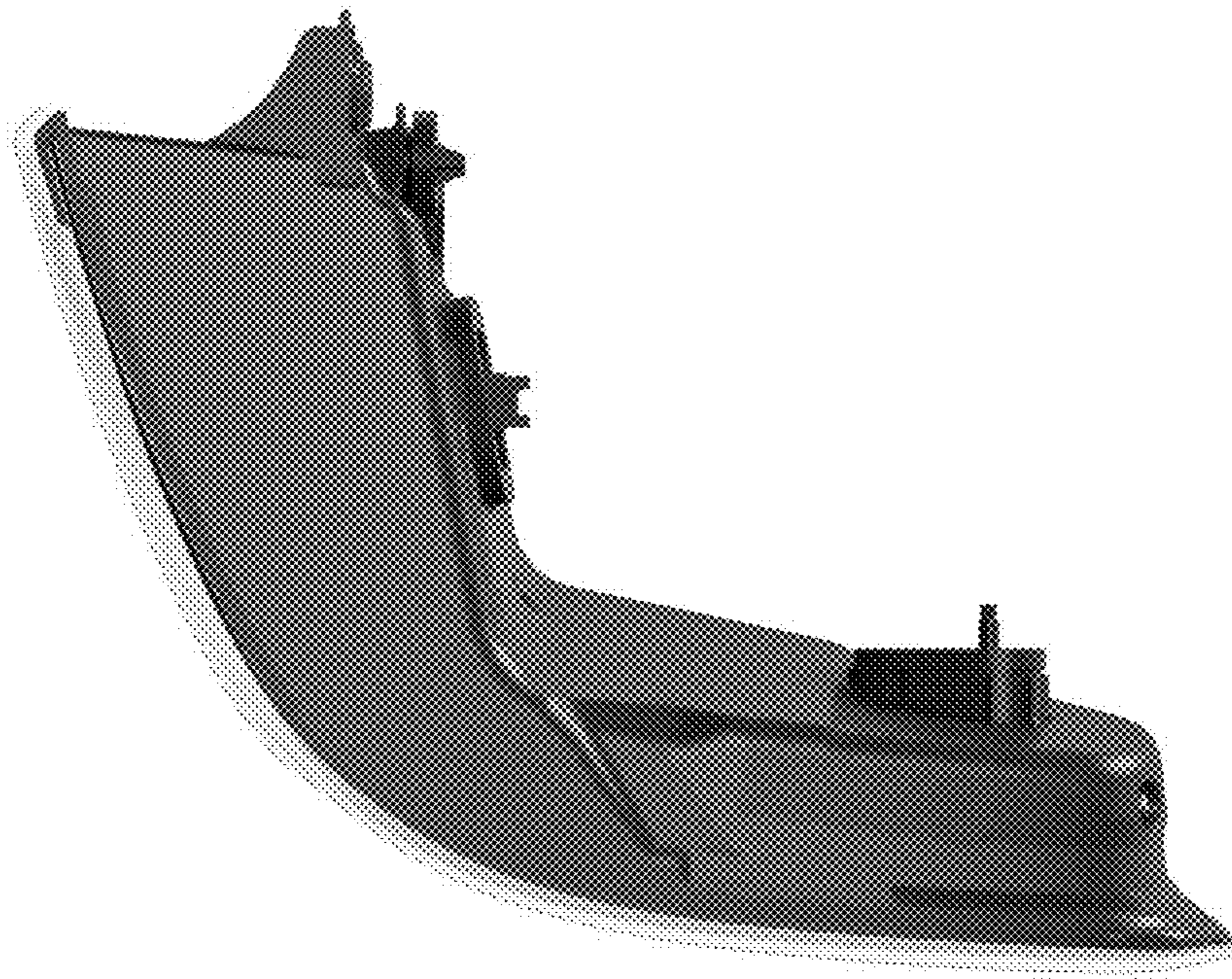


Fig. 7

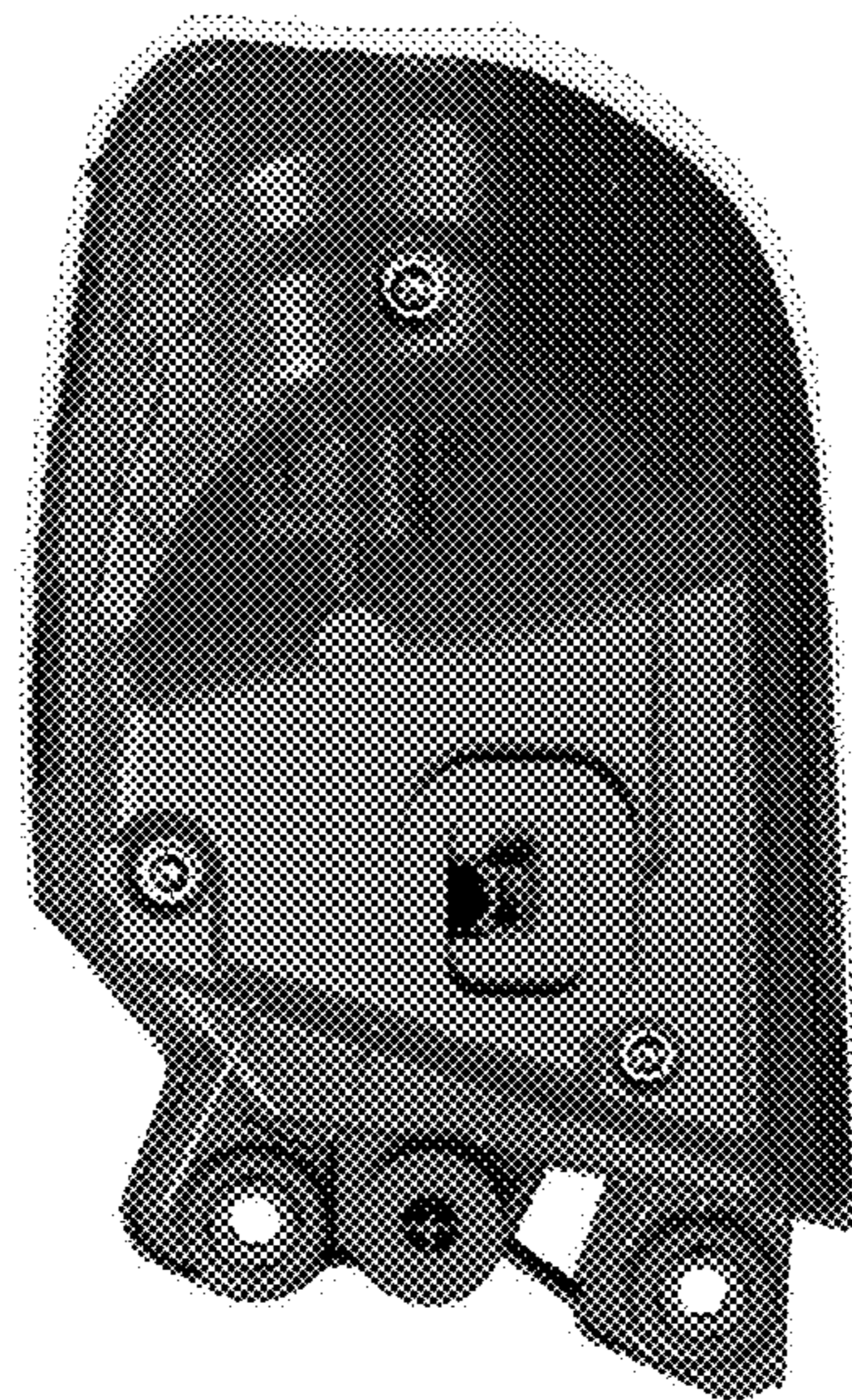


Fig. 8