



US00D808045S

(12) **United States Design Patent**
Howard et al.

(10) **Patent No.:** **US D808,045 S**
(45) **Date of Patent:** **** Jan. 16, 2018**

(54) **LED NIGHT-LIGHT**

FOREIGN PATENT DOCUMENTS

(71) Applicant: **Mary Elle Fashions, Inc.**, St. Louis, MO (US)

EP 1 353 536 A1 10/2003
WO 2010/132639 A1 11/2010

(72) Inventors: **Kenneth A. Howard**, Creve Coeur, MO (US); **James J. Riley**, St. Louis, MO (US); **Matthew S. Smith**, St. Charles, MO (US)

Primary Examiner — Angela J Lee

(74) *Attorney, Agent, or Firm* — Senniger Powers LLP

(73) Assignee: **Mary Elle Fashions, Inc.**, St. Louis, MO (US)

(57) **CLAIM**

The ornamental design for an LED night-light, as shown and described.

(**) Term: **15 Years**

DESCRIPTION

(21) Appl. No.: **29/548,942**

(22) Filed: **Dec. 17, 2015**

FIG. 1 is a perspective view of the LED night-light showing the invention;

FIG. 2 is a front view of the LED night-light of FIG. 1;

FIG. 3 is a right side view of the LED night-light of FIG. 1, which is a mirror image of the left side view of the LED night-light;

FIG. 4 is a top plan view of the LED night-light of FIG. 1;

FIG. 5 is a bottom plan view of the LED night-light of FIG. 1; and,

FIG. 6 is a rear view of the LED night-light of FIG. 1.

The text shown in broken lines in FIGS. 1-3 and 5 is for illustrative purposes only and is not part of the claimed design.

The electrical plug shown in broken lines in FIGS. 1 and 3-6 is for illustrative purposes only and is not part of the claimed design.

The screw head and accompanying indentation shown in broken lines in FIGS. 4 and 6 is for illustrative purposes only and is not part of the claimed design.

The LED (light emitting diode) light source shown in broken lines in FIGS. 1-4 and 6 is for illustrative purposes only and is not part of the claimed design.

The toggle switch shown in broken lines in FIGS. 1-5 is for illustrative purposes only and is not part of the claimed design.

The upper portion of the housing shown in broken lines in FIGS. 1-4 and 6 is for illustrative purposes only and is not part of the claimed design.

Related U.S. Application Data

(60) Division of application No. 29/451,518, filed on Apr. 3, 2013, now Pat. No. Des. 751,230, which is a (Continued)

(51) **LOC (11) Cl.** **26-03**

(52) **U.S. Cl.**
USPC **D26/26**

(58) **Field of Classification Search**
USPC D26/26, 24, 113, 118, 119, 120;
D23/366, 367, 369; 362/640-644,
362/650-653, 659
(Continued)

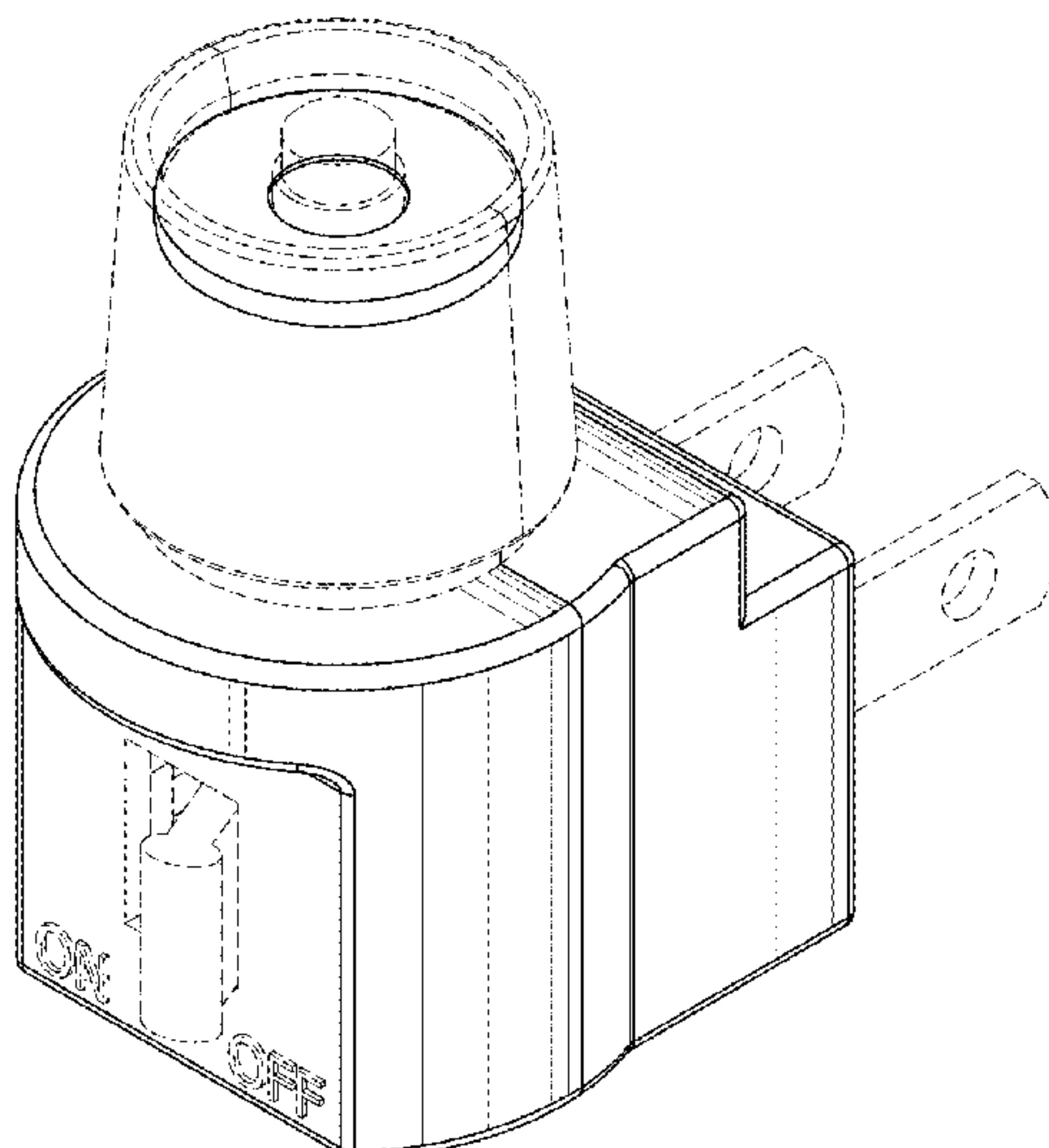
(56) **References Cited**

U.S. PATENT DOCUMENTS

D196,261 S 9/1963 Ludwig
D205,371 S 7/1966 Mellyn

(Continued)

1 Claim, 6 Drawing Sheets



Related U.S. Application Data

continuation of application No. 13/544,365, filed on Jul. 9, 2012, now Pat. No. 8,662,733, which is a continuation of application No. 12/466,209, filed on May 14, 2009, now Pat. No. 5,215,820.

(58) **Field of Classification Search**

CPC . F21W 2121/00; F21V 23/0442; F21V 23/06; H01R 2103/00

See application file for complete search history.

(56) **References Cited**

U.S. PATENT DOCUMENTS

3,968,355 A 7/1976 Smallegan
 1,064,426 A 12/1977 Tyler
 1,343,032 A 8/1982 Schwartz
 1,714,984 A 12/1987 Spector
 5,339,231 A 8/1994 Parsolano et al.
 D393,084 S 3/1998 Hergert
 5,727,953 A * 3/1998 Pasholk F21S 8/035
 439/21
 D460,573 S 7/2002 Gee, II
 6,488,510 B2 * 12/2002 Li H01R 35/04
 362/649
 D485,380 S 1/2004 Goodenow
 6,709,126 B1 3/2004 Leen
 6,824,296 B2 11/2004 Souza et al.
 D500,152 S 12/2004 Stekelenburg
 6,926,426 B2 8/2005 Currie et al.
 D523,972 S 6/2006 Chan
 D523,975 S * 6/2006 Meyers D26/26
 D524,456 S 7/2006 Yuen
 D524,457 S 7/2006 Chan
 D524,458 S 7/2006 Chan
 D524,956 S 7/2006 Chan
 D525,376 S 7/2006 Brady
 7,114,821 B2 10/2006 Currie et al.
 D536,806 S 2/2007 Yuen
 7,455,444 B2 11/2008 Chien
 7,568,829 B2 8/2009 Chien

7,632,004 B2 12/2009 Chien
 8,215,820 B2 7/2012 Howard et al.
 8,277,108 B2 10/2012 Yang
 8,303,158 B2 11/2012 Chien
 8,425,105 B2 4/2013 Yang
 8,662,733 B2 3/2014 Howard et al.
 D751,228 S * 3/2016 Howard D26/113
 D751,229 S * 3/2016 Howard D26/113
 D751,230 S * 3/2016 Howard F21S 8/035
 D26/26
 9,285,106 B2 * 3/2016 Tian F21V 23/0464
 D790,089 S * 6/2017 Howard D26/26
 D790,090 S * 6/2017 Howard D26/26
 D790,091 S * 6/2017 Howard D26/26
 2003/0185020 A1 10/2003 Stekelenburg
 2004/0160769 A1 8/2004 Currie et al.
 2004/0246704 A1 12/2004 Burdick
 2004/0257806 A1 * 12/2004 Wu F21S 8/035
 362/242
 2006/0002153 A1 1/2006 Currie et al.
 2006/0007709 A1 1/2006 Yuen
 2006/0077684 A1 4/2006 Yuen
 2006/0152946 A1 7/2006 Chien
 2006/0171141 A1 * 8/2006 Tsai F21S 8/035
 362/95
 2006/0221617 A1 10/2006 Chien
 2006/0237439 A1 10/2006 Norwood et al.
 2007/0076437 A1 4/2007 Chien
 2007/0076438 A1 4/2007 Chien
 2007/0076439 A1 4/2007 Chien
 2007/0076440 A1 4/2007 Chien
 2007/0103901 A1 5/2007 Reid
 2007/0132733 A1 6/2007 Ram
 2007/0242485 A1 10/2007 Chien
 2007/0253777 A1 11/2007 Brown
 2008/0304289 A1 12/2008 Chien
 2009/0080201 A1 3/2009 Wu
 2010/0290254 A1 11/2010 Howard et al.
 2012/0275194 A1 11/2012 Howard et al.
 2013/0044518 A1 * 2/2013 Yang F21S 8/035
 362/641
 2014/0185325 A1 7/2014 Howard et al.

* cited by examiner

FIG. 1

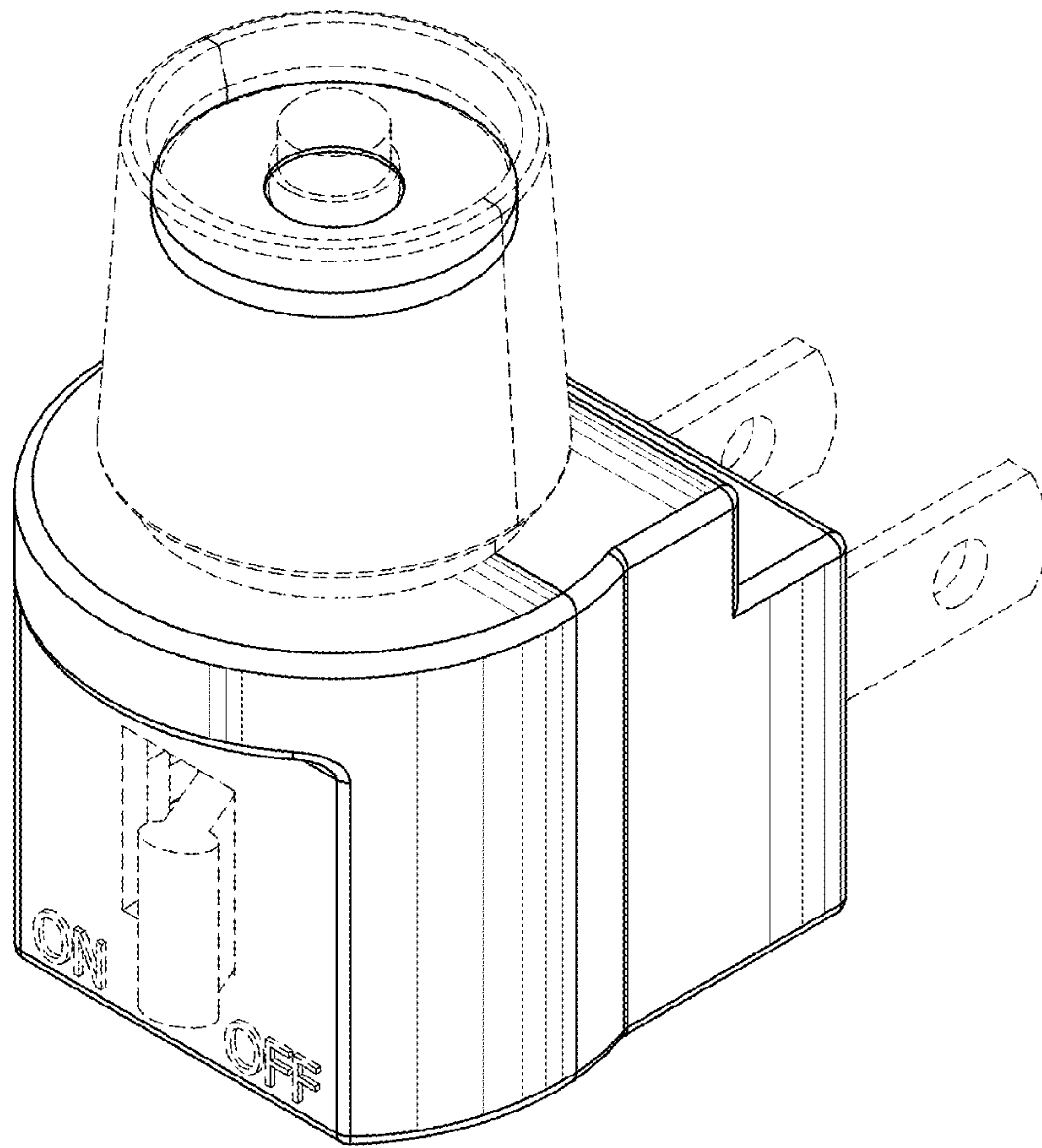


FIG. 2

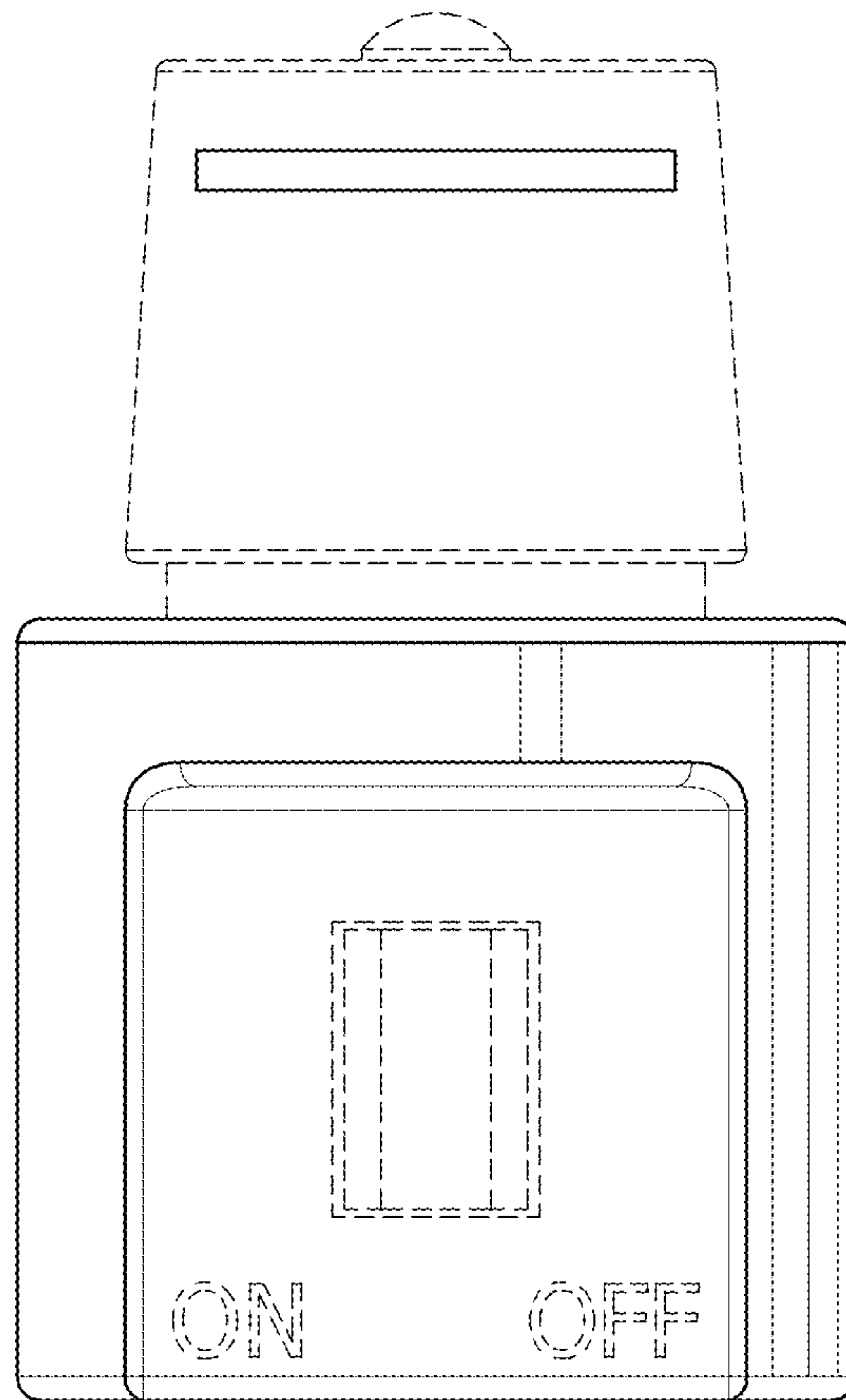


FIG. 3

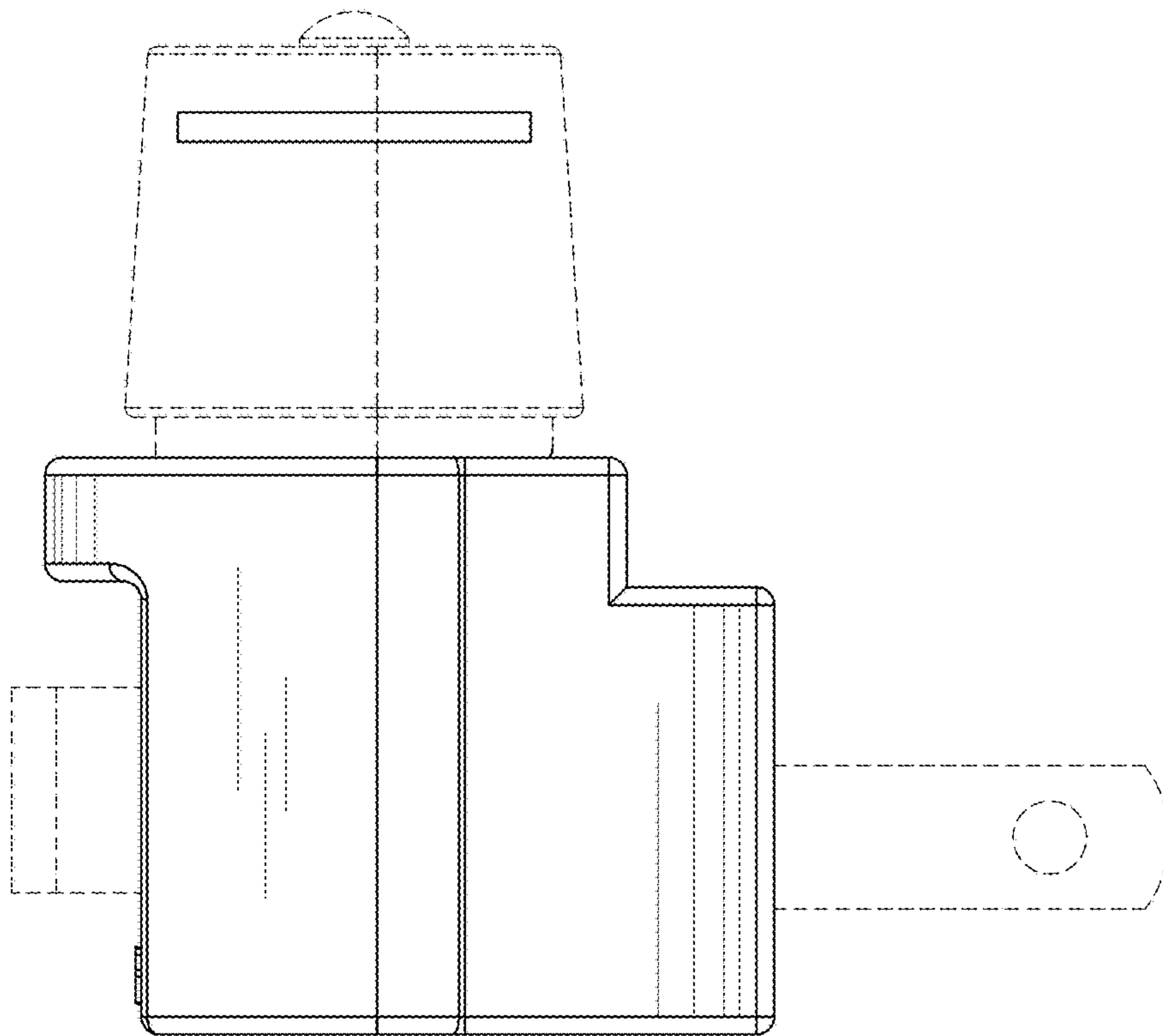


FIG. 4

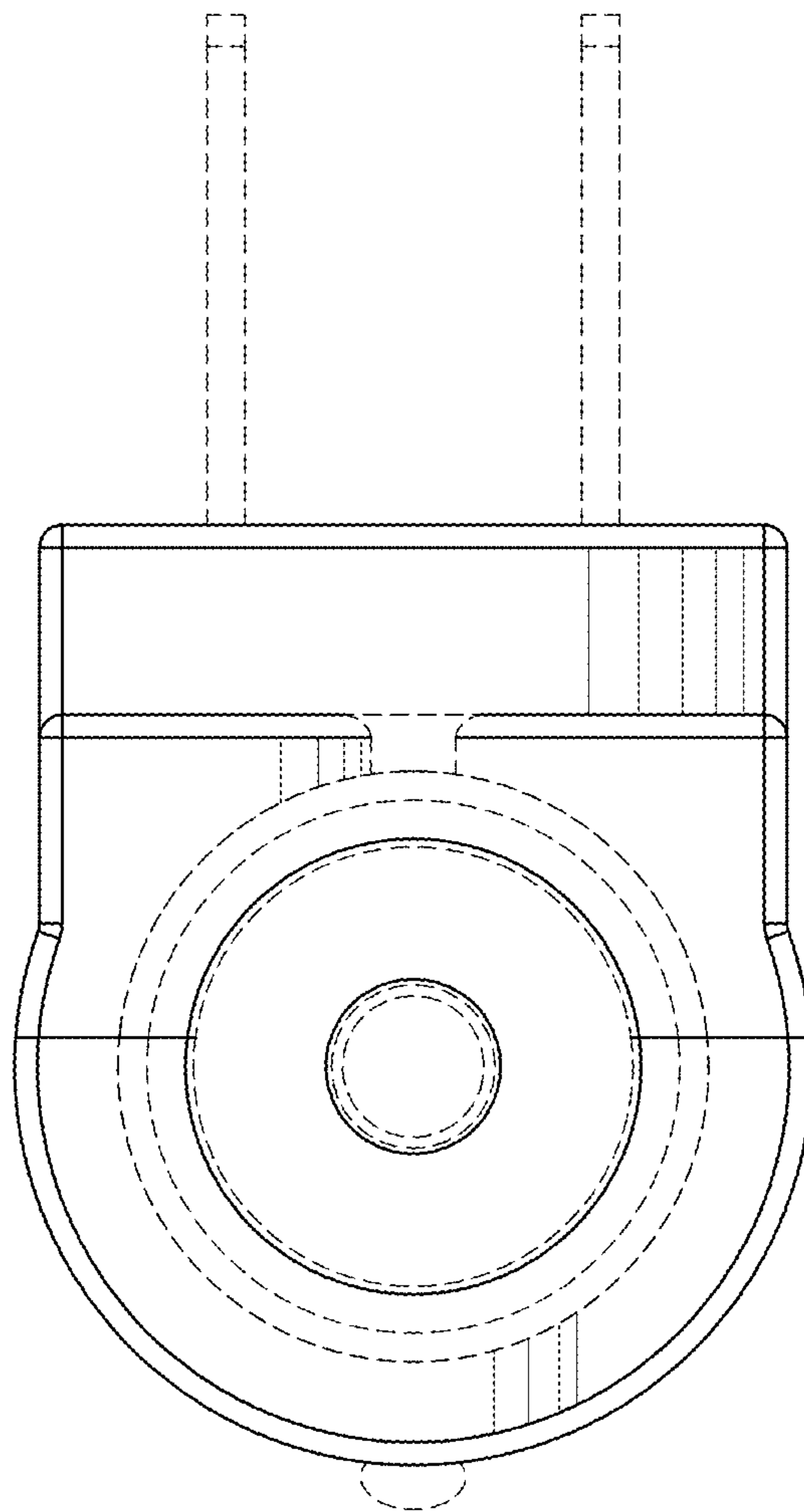


FIG. 5

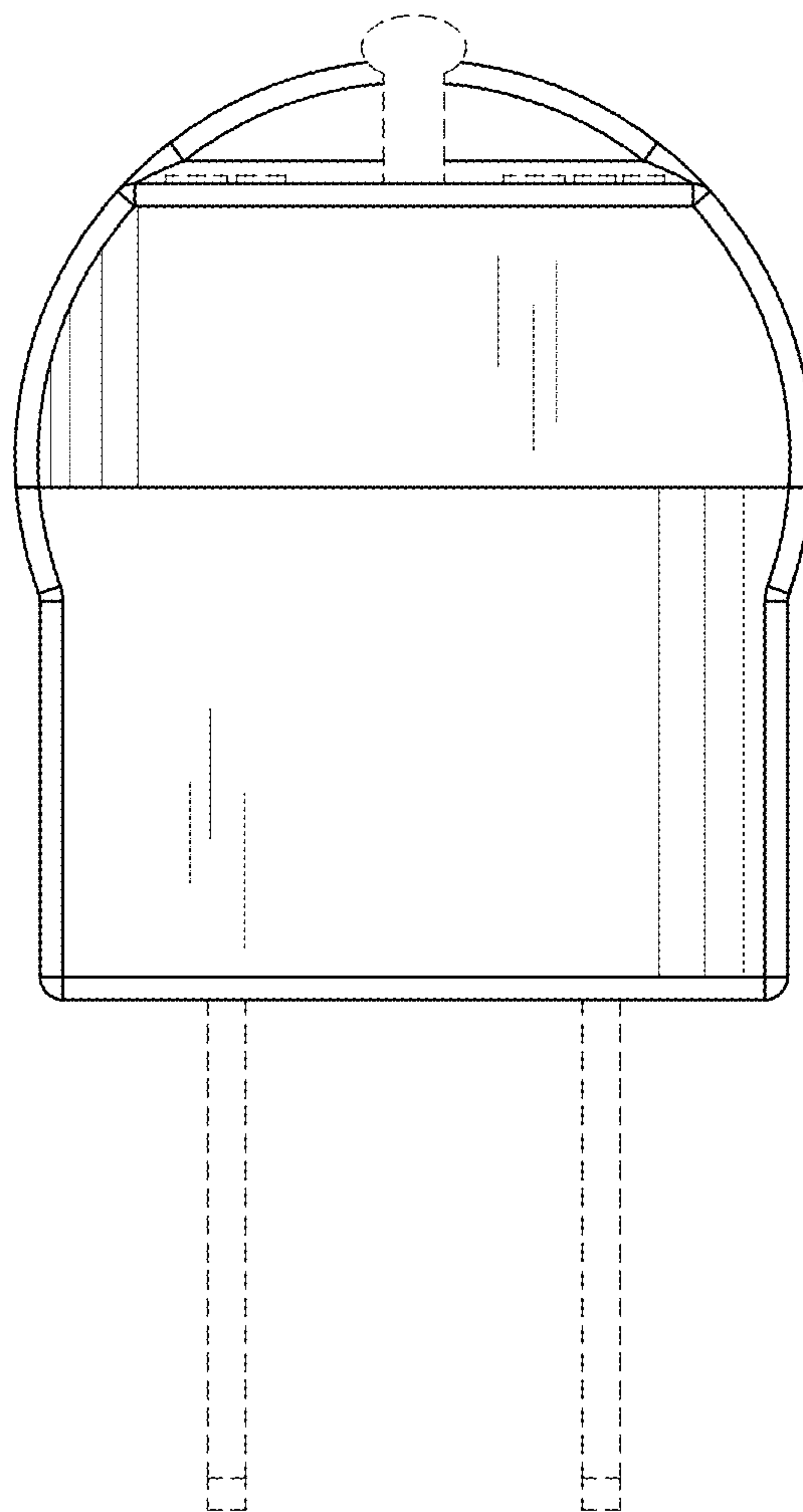


FIG. 6

