



US00D808039S

(12) **United States Design Patent** (10) **Patent No.:** **US D808,039 S**
Self et al. (45) **Date of Patent:** **** Jan. 16, 2018**

(54) **REAGENT PLATE**

- (71) Applicant: **Becton, Dickinson and Company**,
Franklin Lakes, NJ (US)
- (72) Inventors: **Brian A. Self**, Monkton, MD (US);
Dwight Livingston, Fallston, MD (US);
Alyssa Shedlosky, Owings Mills, MD
(US)
- (73) Assignee: **Becton, Dickinson and Company**,
Franklin Lakes, NJ (US)
- (**) Term: **15 Years**
- (21) Appl. No.: **29/575,812**
- (22) Filed: **Aug. 29, 2016**

Related U.S. Application Data

- (63) Continuation-in-part of application No. 29/564,504,
filed on May 13, 2016.
- (51) **LOC (11) Cl.** **24-02**
- (52) **U.S. Cl.**
USPC **D24/227**
- (58) **Field of Classification Search**
USPC 206/557-565, 431, 438, 363, 371;
356/244, 246, 929, 930; 422/552-554,
422/549, 400, 430, 547, 63-67, 82.09,
422/258; 435/285.2, 287.6, 303.1,
435/164-165; 73/304 R; D24/216,
D24/223-230; D3/203.1, 203.3
CPC A61B 5/150343; B01D 9/00; B01L 3/06;
B01L 3/502; B01L 3/5025; B01L 3/508;
B01L 3/5021; B01L 3/5082; B01L
3/5085; B01L 3/50855; B01L 3/545;
B01L 3/5453; B01L 9/06; B65D 1/34;
B65D 1/36; G01N 21/07; G01N 21/76;
G01N 21/253; G01N 33/80; G01N 35/04;
G01N 35/025; G01N 35/1083; G01N
21/03; G01N 21/0303; G01N 21/0332
See application file for complete search history.

(56) **References Cited**

U.S. PATENT DOCUMENTS

- 5,962,250 A * 10/1999 Gavin B01L 3/5025
422/552
D420,743 S * 2/2000 Monks D24/224
6,190,878 B1 * 2/2001 Pierson G01N 33/5304
435/283.1
D438,632 S * 3/2001 Miller D24/216
7,128,878 B2 * 10/2006 Muser B01L 3/5085
422/552
D598,128 S * 8/2009 Pihl B01L 3/021
D24/227
D601,713 S * 10/2009 Lohn D24/226
D657,473 S * 4/2012 Miyashita D24/224
D696,419 S * 12/2013 Fusellier D24/230
D699,371 S * 2/2014 Williams D24/230

(Continued)

Primary Examiner — Ian Simmons
Assistant Examiner — Mark Cavanna
 (74) *Attorney, Agent, or Firm* — Lerner, David,
 Littenberg, Krumholz & Mentlik, LLP

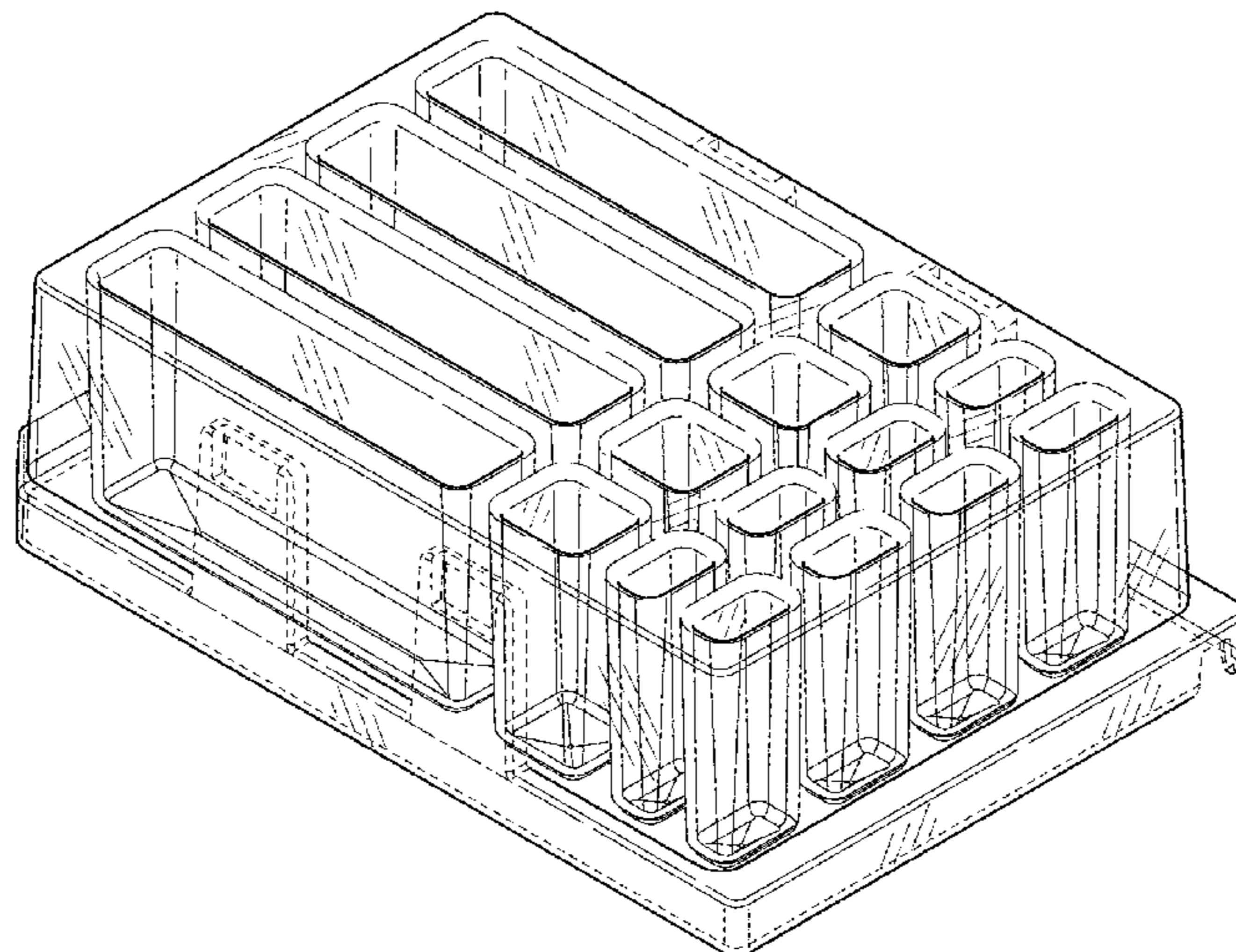
(57) **CLAIM**

The ornamental design for a reagent plate, as shown and described.

DESCRIPTION

FIG. 1 is a front perspective view of a reagent plate showing our new design;
 FIG. 2 is a front elevational view thereof;
 FIG. 3 is a rear elevational view thereof;
 FIG. 4 is a right side elevational view thereof;
 FIG. 5 is a left side elevational view thereof;
 FIG. 6 is a top plan view thereof; and,
 FIG. 7 is a bottom plan view thereof.
 The broken lines illustrate unclaimed portions of the reagent plate and form no part of the claimed design.

1 Claim, 3 Drawing Sheets



(56)

References Cited

U.S. PATENT DOCUMENTS

D729,942 S *	5/2015	Keizer	D24/226
D732,187 S *	6/2015	Houkal	D24/227
9,084,996 B2 *	7/2015	Chien	B01L 3/5085
2005/0136546 A1 *	6/2005	Berndt	B01L 3/5085
			436/45
2014/0361022 A1 *	12/2014	Finneran	B01L 9/06
			220/628

* cited by examiner

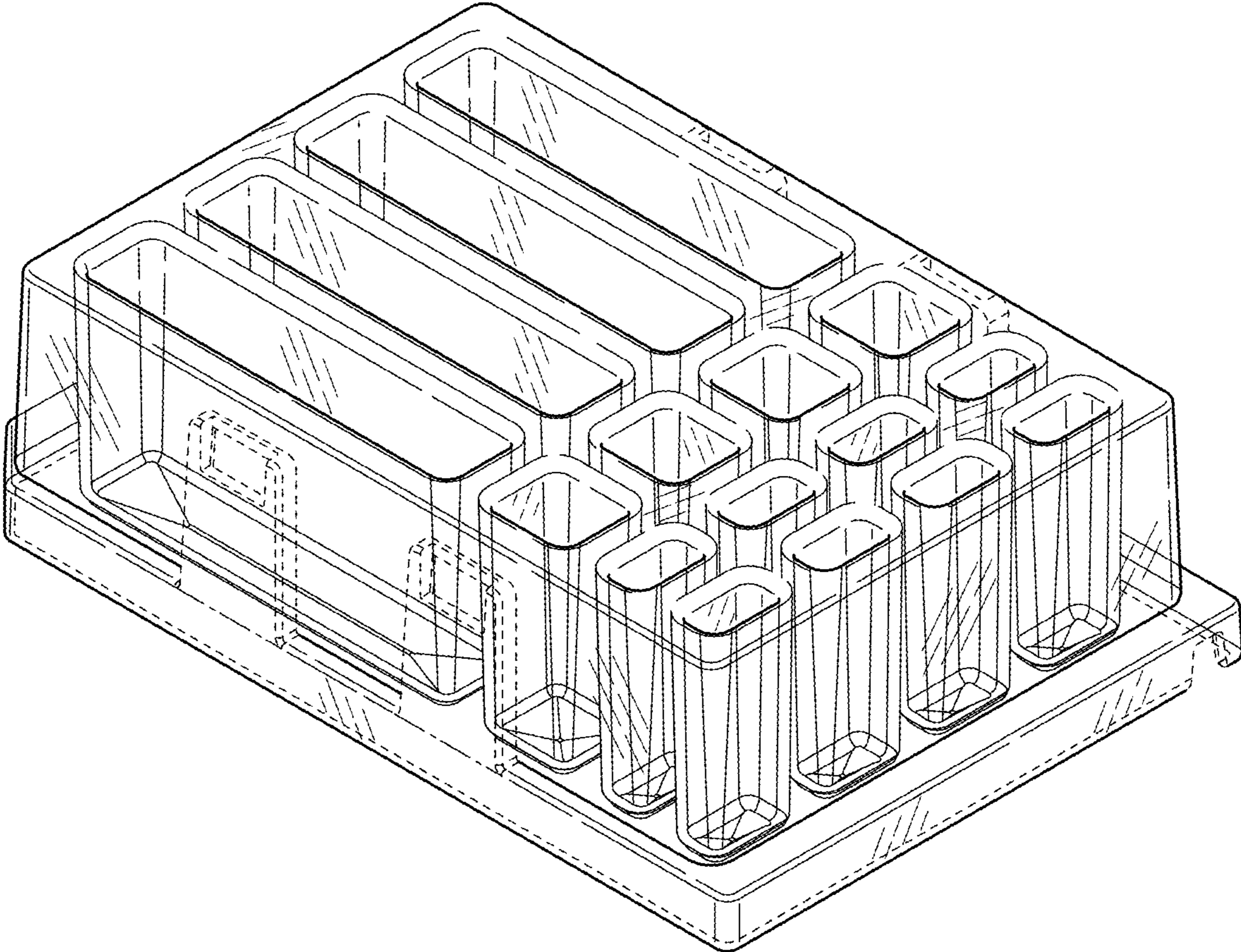


FIG. 1

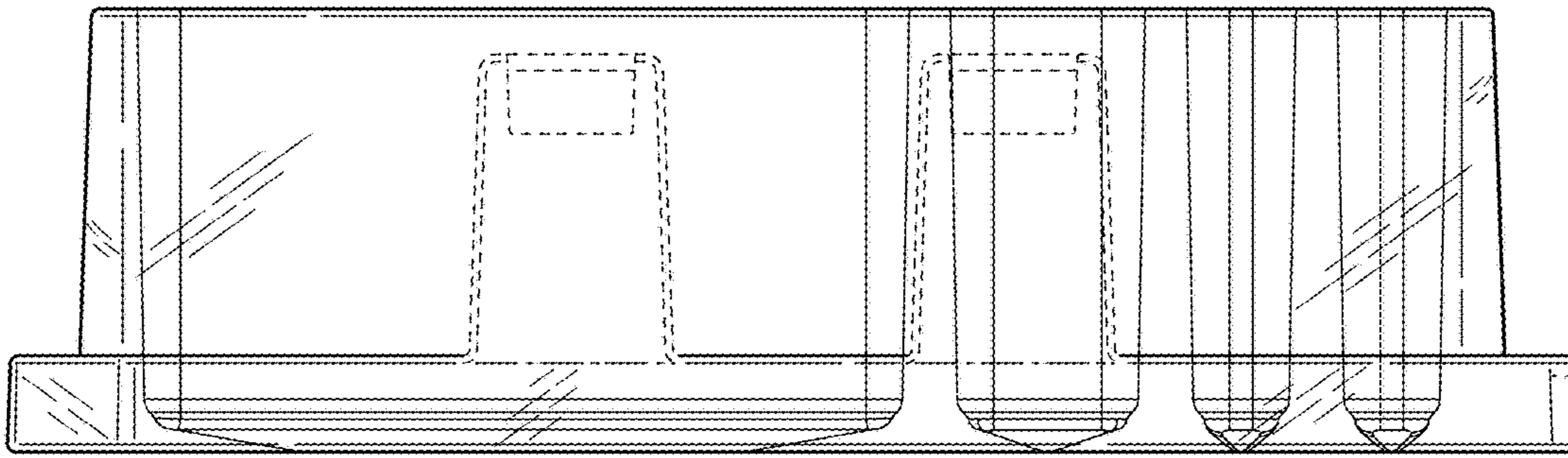


FIG. 2

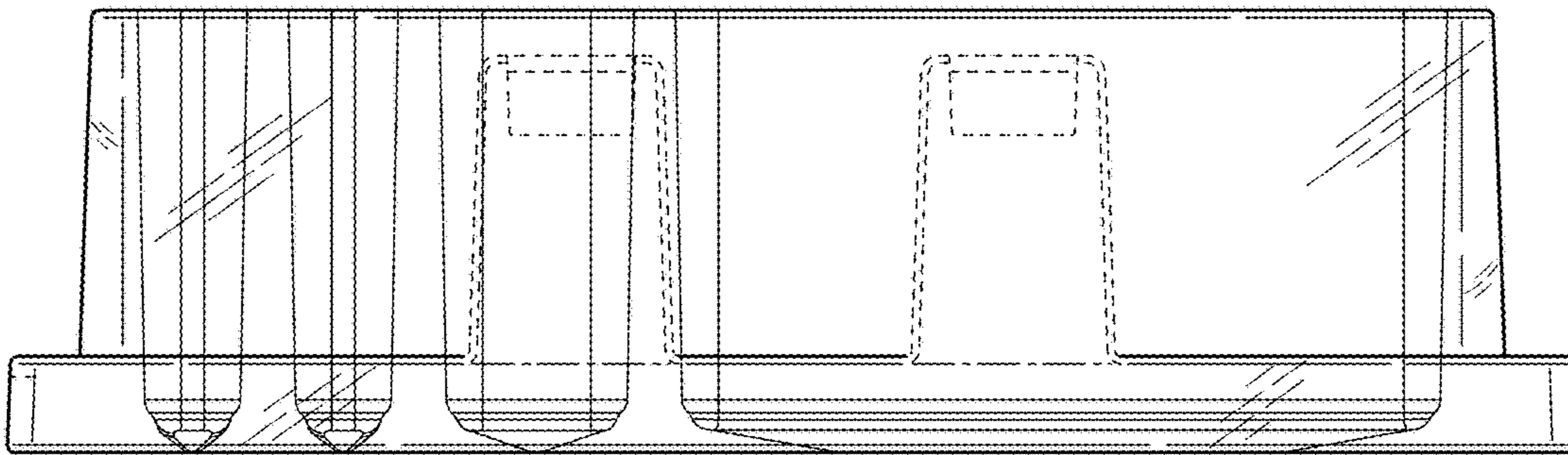


FIG. 3

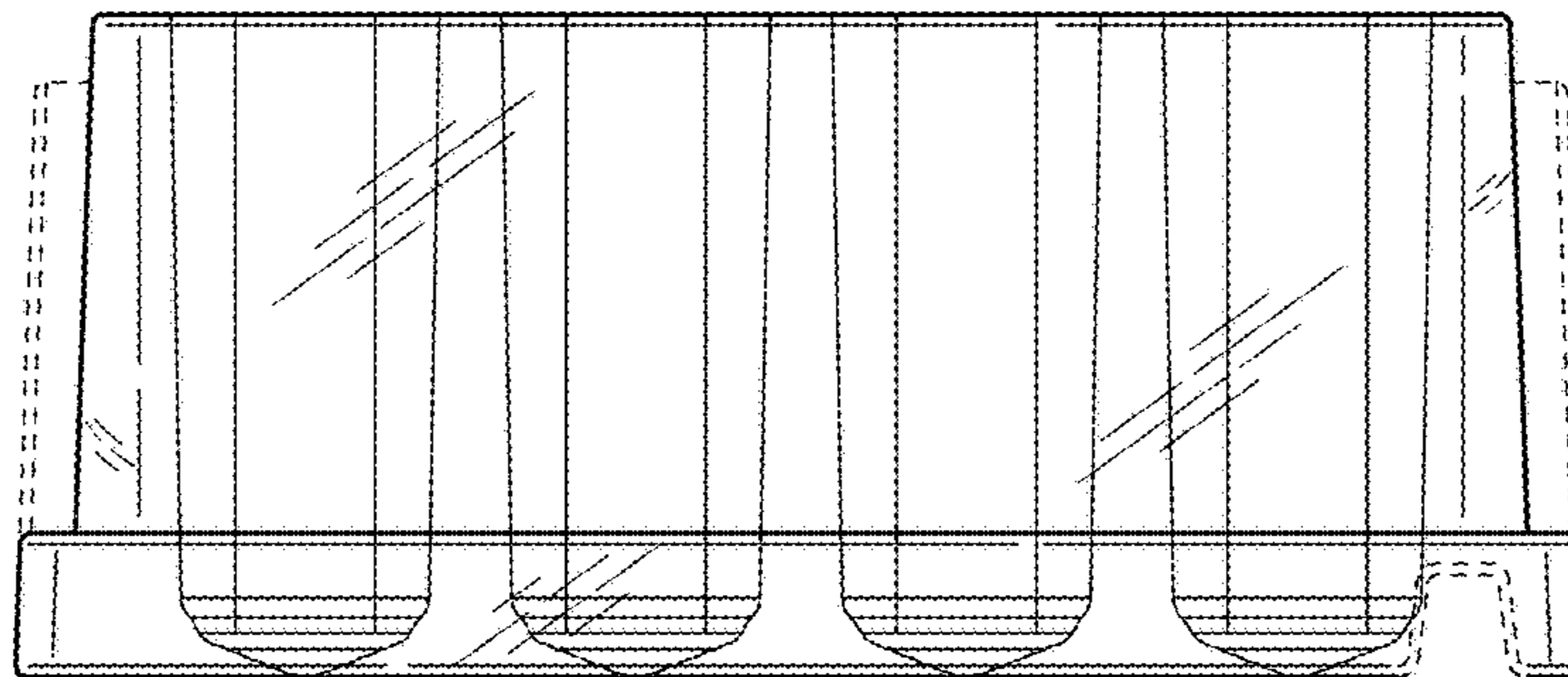


FIG. 4

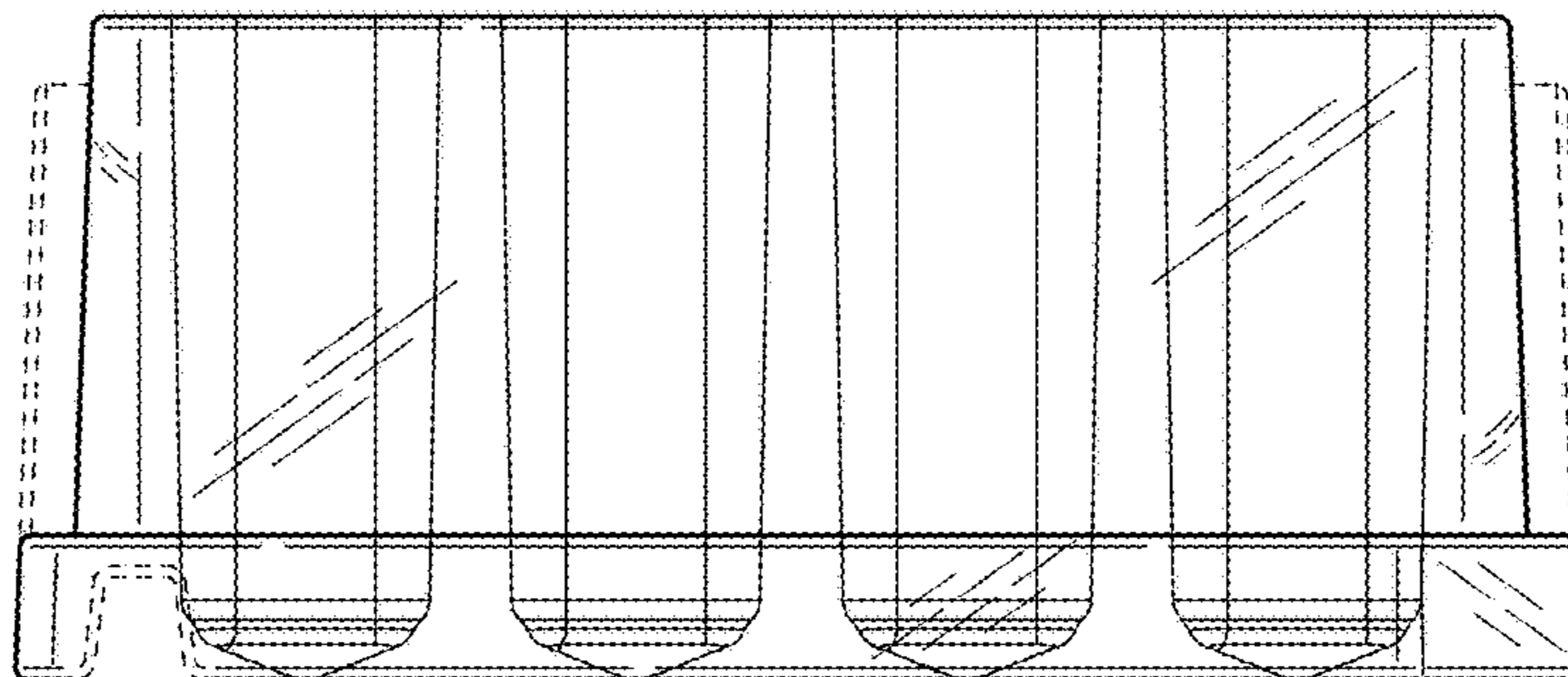


FIG. 5

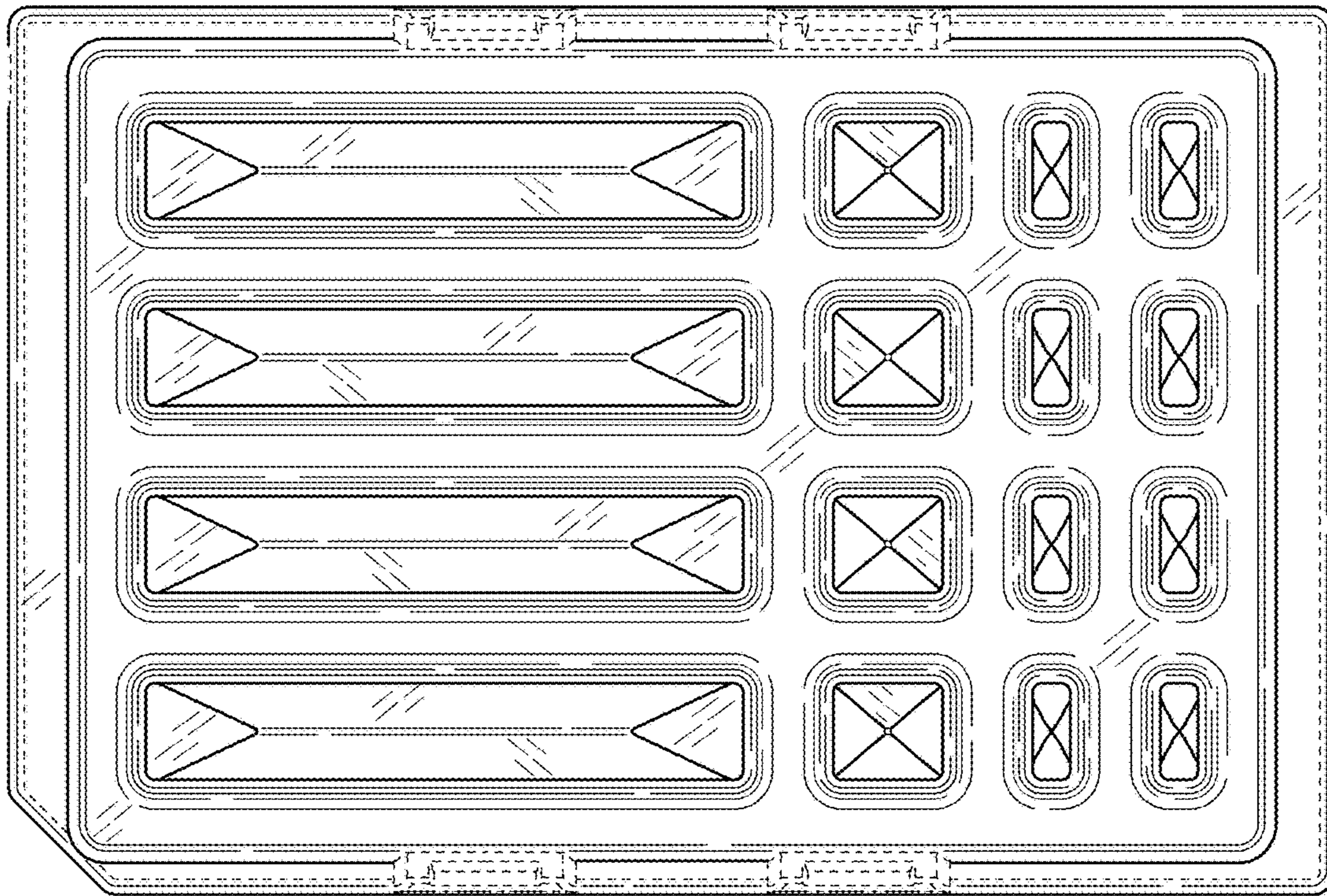


FIG. 6

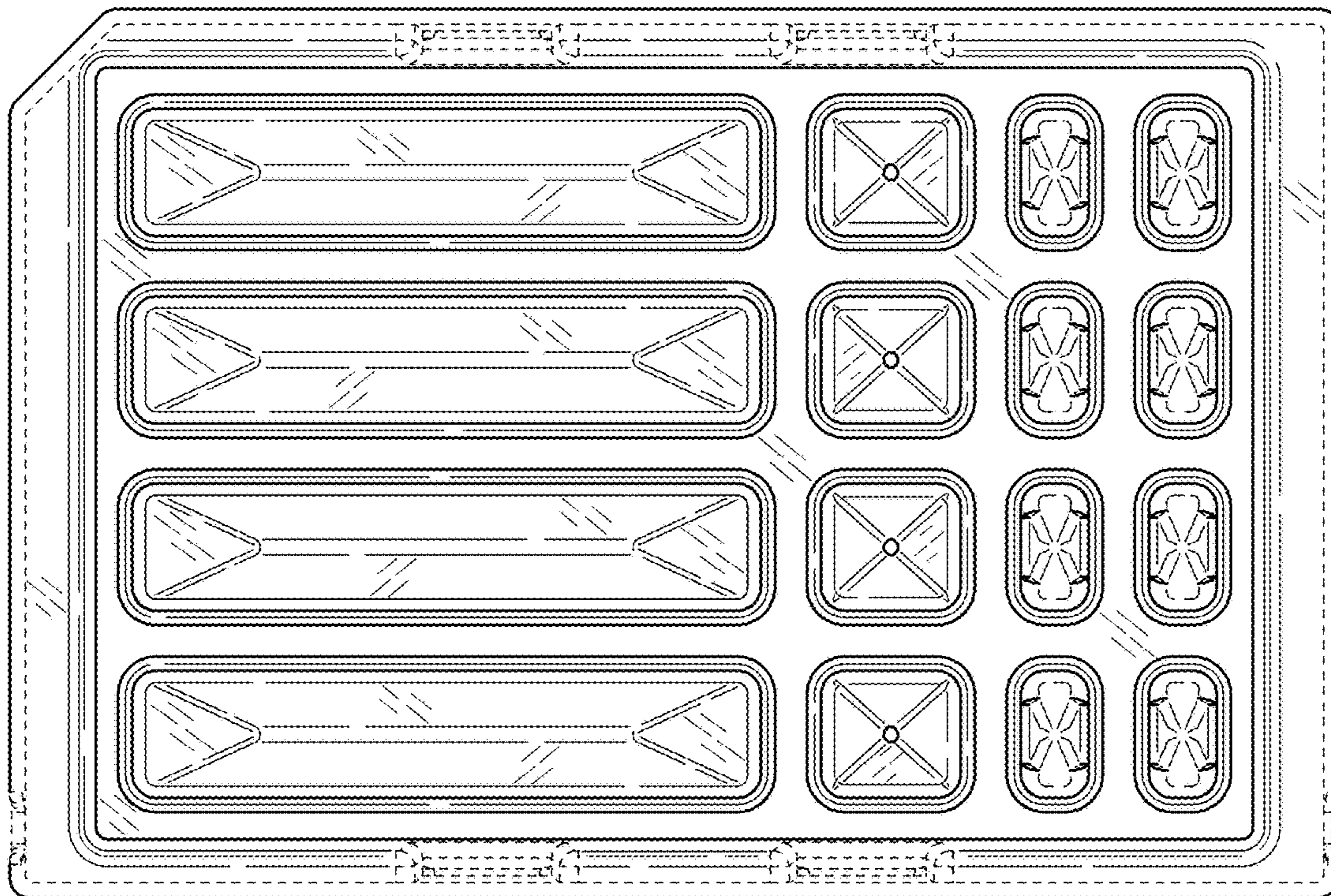


FIG. 7