



US00D808038S

(12) **United States Design Patent**
Böhm et al.

(10) **Patent No.:** **US D808,038 S**
(45) **Date of Patent:** **** Jan. 16, 2018**

(54) **AUTOMATED PETRI PLATE ASSESSMENT SYSTEM**

(71) Applicant: **Clever Culture Systems AG**, Bäch (CH)

(72) Inventors: **Alexander Böhm**, Klagenfurt am Wörthersee (AT); **Nedim Bogilovic**, Klagenfurt am Wörthersee (AT); **Wolfgang Stiegmaier**, Zeltweg (AT)

(73) Assignee: **Clever Culture Systems AG**, Bäch (CH)

(**) Term: **15 Years**

(21) Appl. No.: **29/560,728**

(22) Filed: **Apr. 8, 2016**

(51) **LOC (11) Cl.** **24-02**

(52) **U.S. Cl.**
USPC **D24/227**

(58) **Field of Classification Search**
USPC D24/227, 107, 216, 234, 232, 231;
D10/46, 81; 422/50, 500, 497, 82, 5,
422/82.01; 436/43
CPC B01L 3/50825; G01N 1/312; G01N 35/00;
G01N 33/00; G01L 11/00; C12Q 1/00
See application file for complete search history.

(56) **References Cited**

U.S. PATENT DOCUMENTS

- 3,382,718 A * 5/1968 Bartsch G01L 11/00
73/705
- D281,310 S * 11/1985 Hattori D10/81
- D320,073 S * 9/1991 Sakagami D24/232

- D340,198 S * 10/1993 Nakamoto D10/81
- D347,396 S * 5/1994 Ohnuma D10/81
- D364,576 S * 11/1995 Glaser D10/75
- D422,925 S * 4/2000 Glaser D10/81
- 6,546,123 B1 * 4/2003 McLaren G01N 1/312
382/128
- D599,236 S * 9/2009 Oberg D10/81
- D724,456 S * 3/2015 Antoneczak D10/81
- D750,989 S * 3/2016 Shimizu D10/81
- D751,725 S * 3/2016 Oonuma D24/216
- 2003/0207455 A1 * 11/2003 Ostgaard B01L 3/50825
436/43

* cited by examiner

Primary Examiner — Susan Bennett Hattan

Assistant Examiner — Rebecca Tsehaye

(74) *Attorney, Agent, or Firm* — Jonathan A. Kidney;
CKR Law LLP

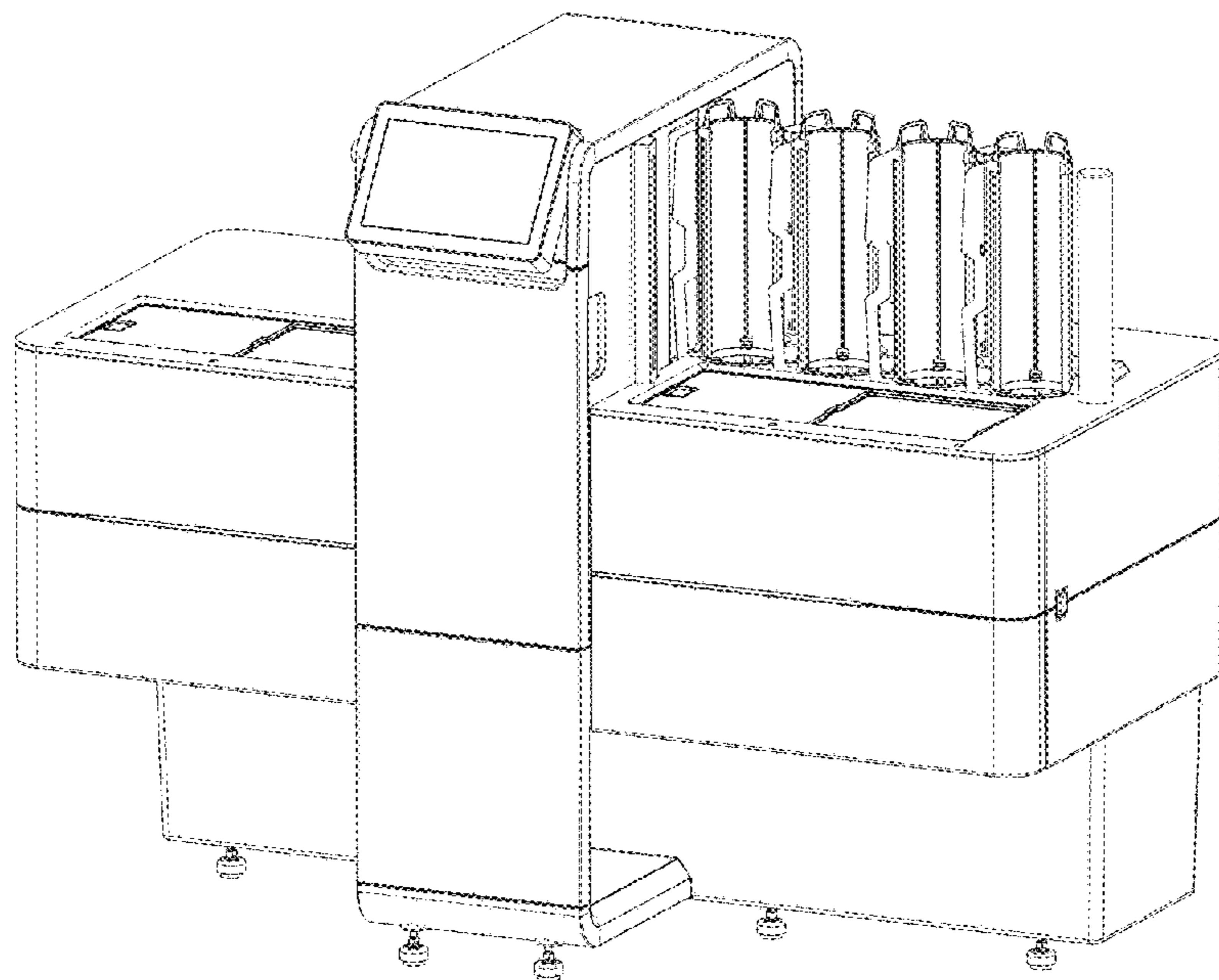
(57) **CLAIM**

The ornamental design for an automated petri plate assessment system, as shown and described.

DESCRIPTION

FIG. 1 is a front perspective view of an automated petri plate assessment system showing our new design;
FIG. 2 is a rear view thereof;
FIG. 3 is a front view thereof;
FIG. 4 is a right view thereof;
FIG. 5 is a left view thereof;
FIG. 6 is a bottom view thereof; and,
FIG. 7 is a top view thereof.
The broken lines in the drawings depict parts of the automated petri plate assessment system that form no part of the claim.

1 Claim, 7 Drawing Sheets



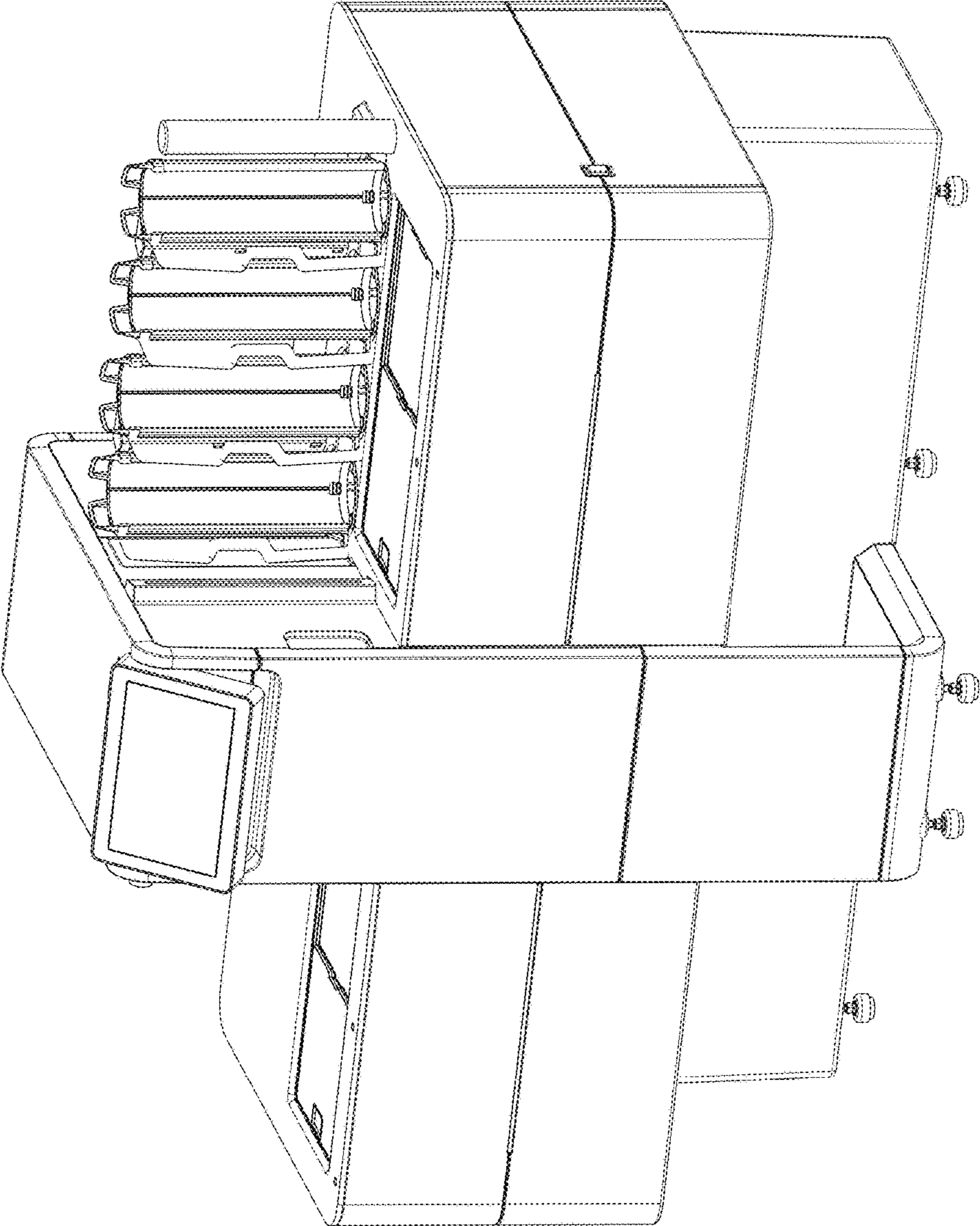


Fig. 1

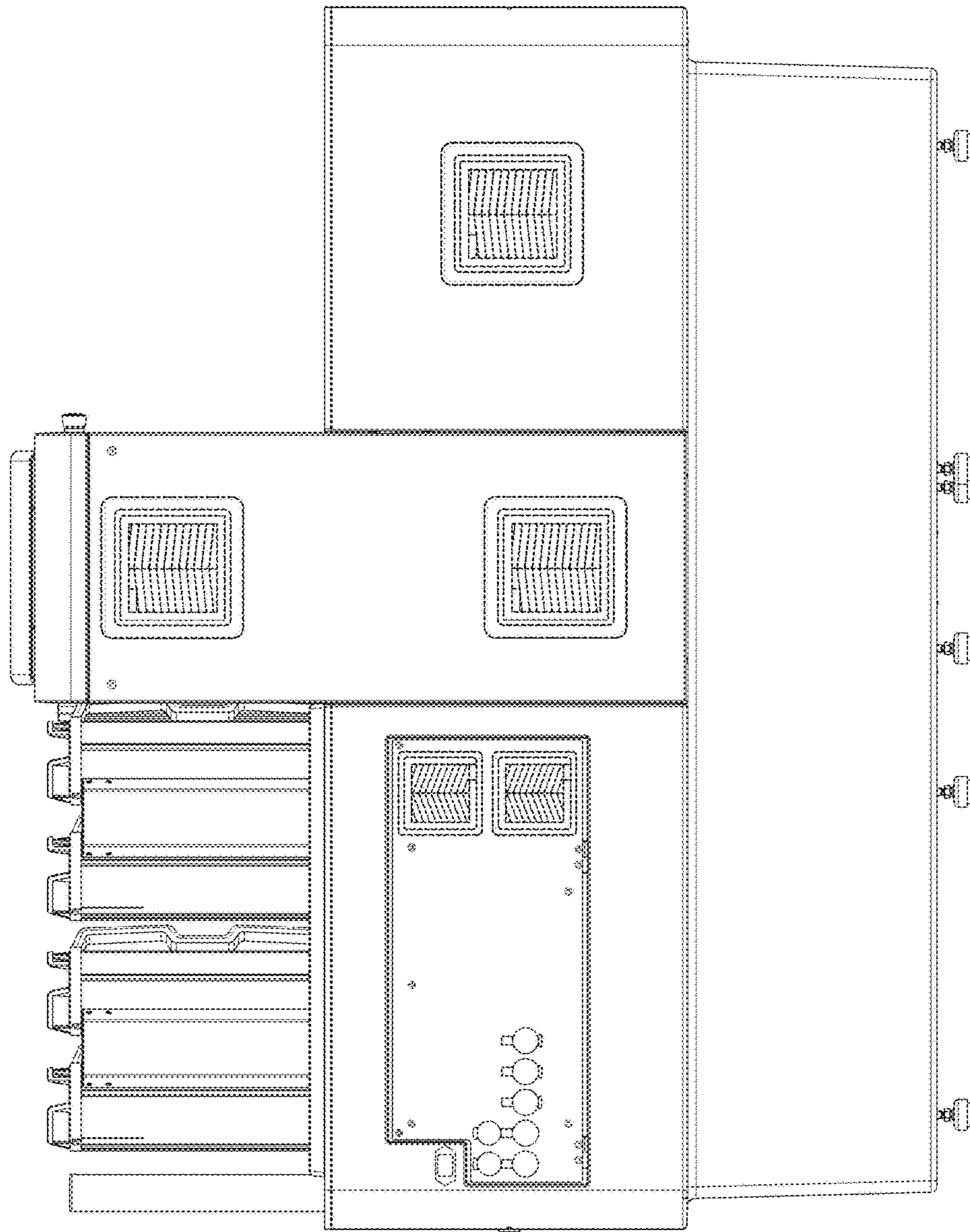


Fig. 2

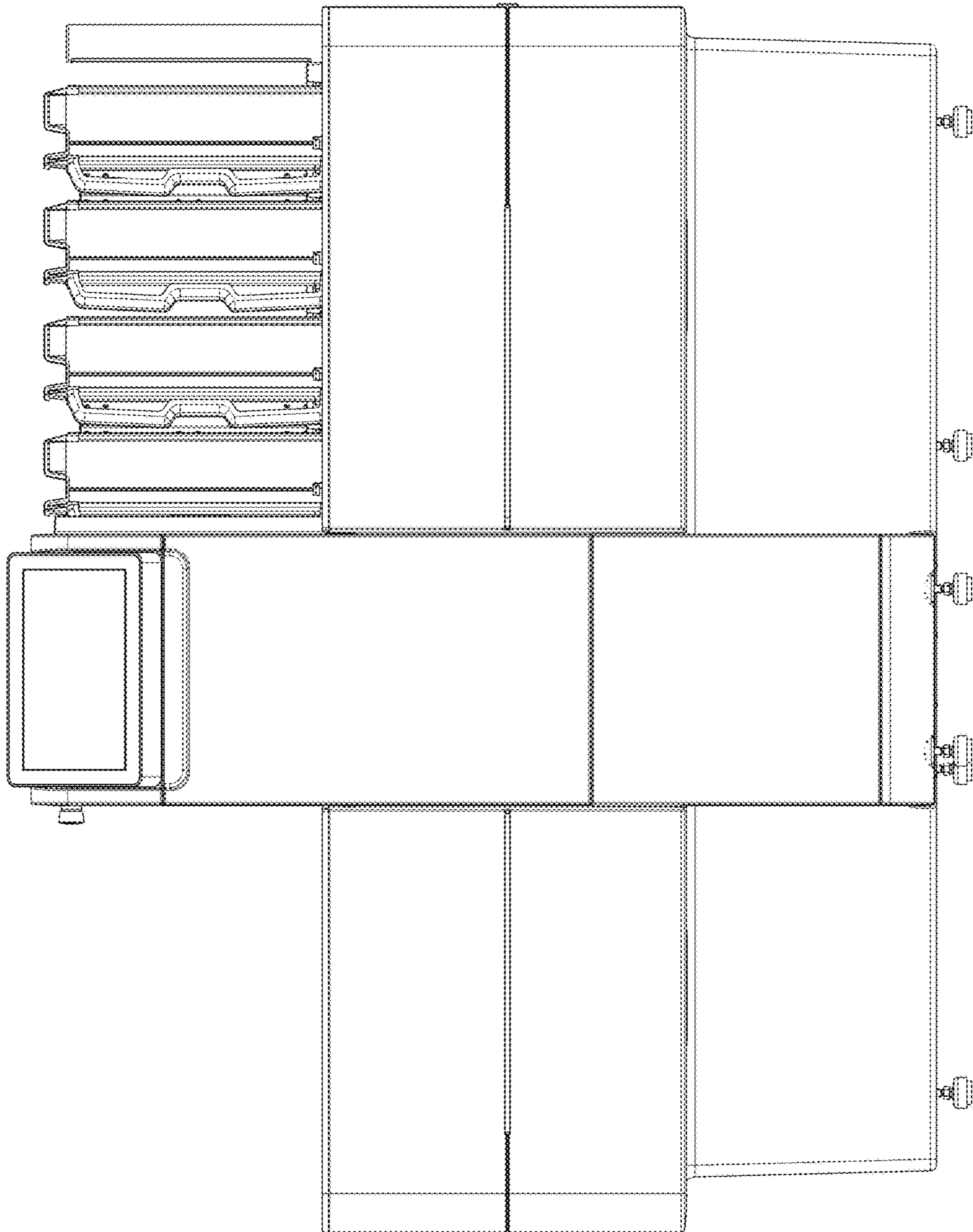


Fig. 3

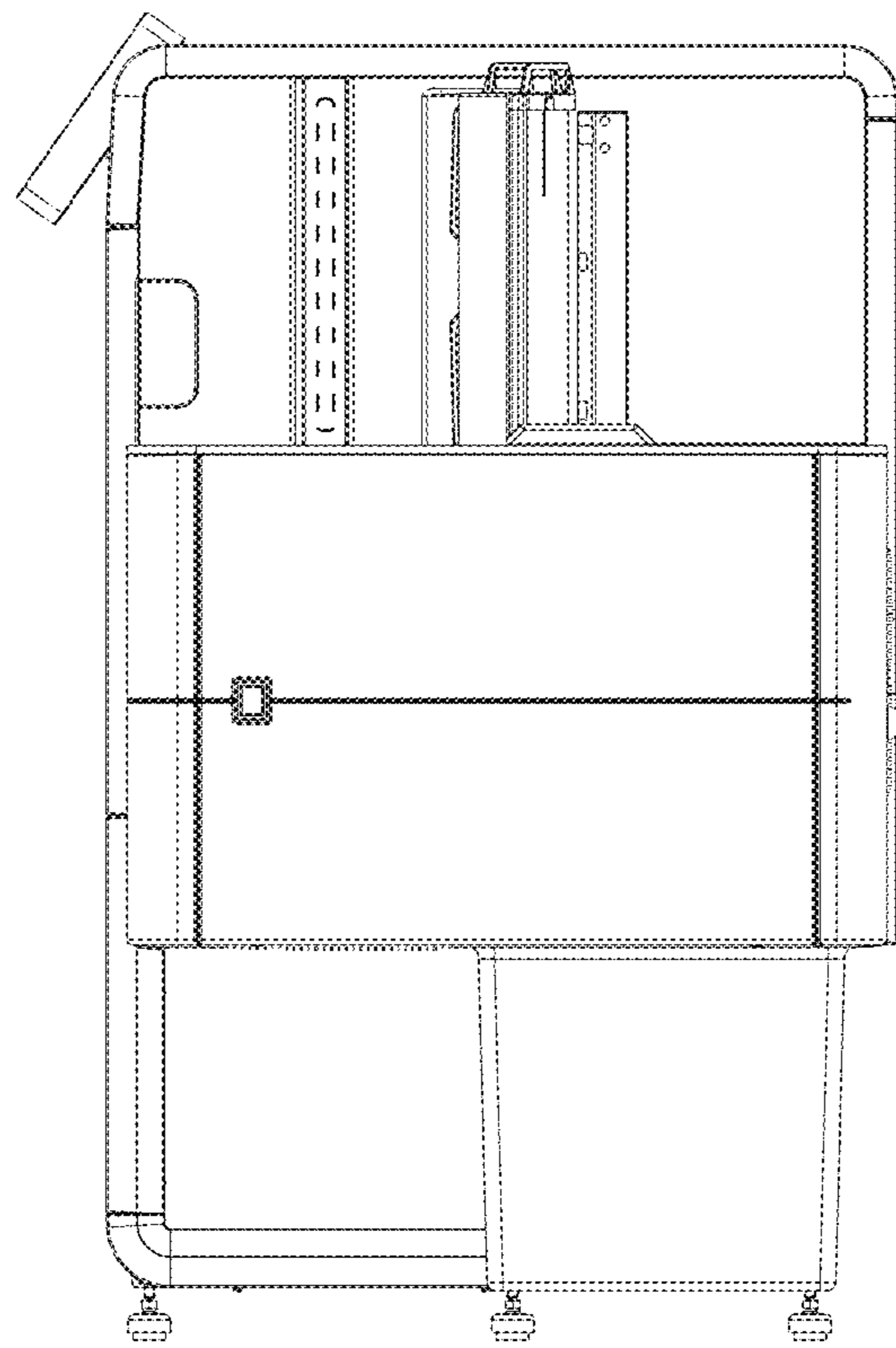


Fig. 4

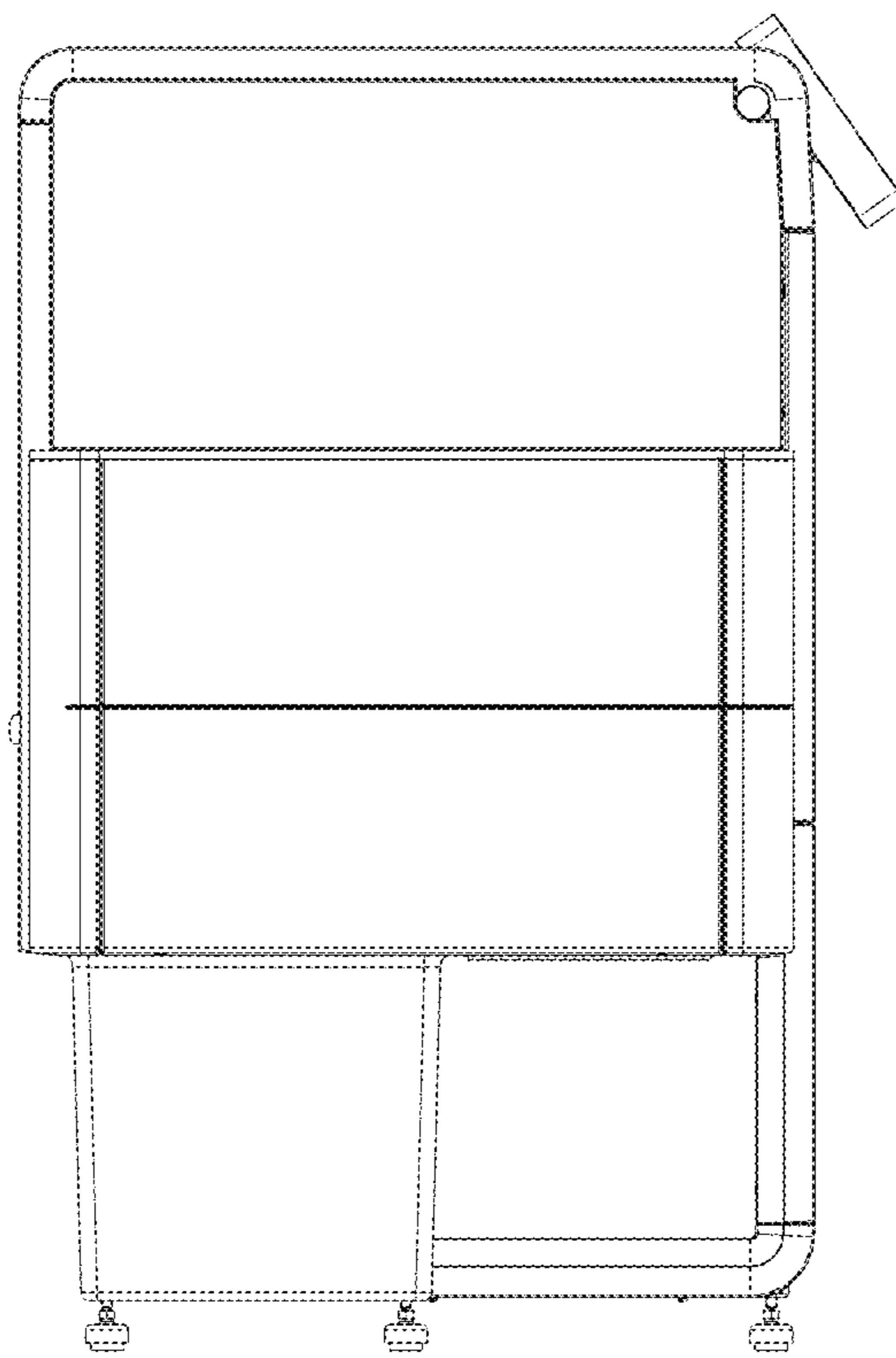


Fig. 5

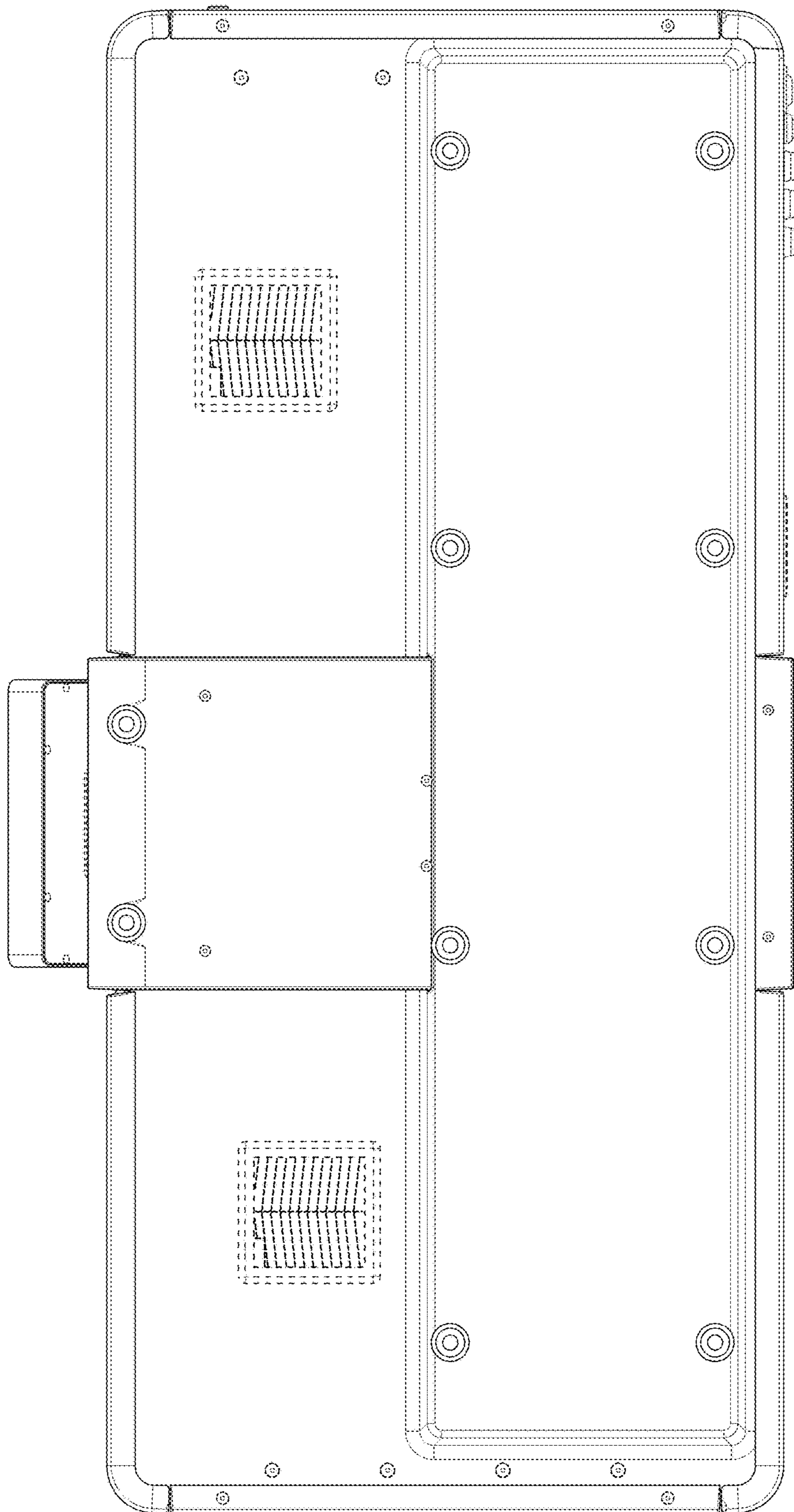


Fig. 6

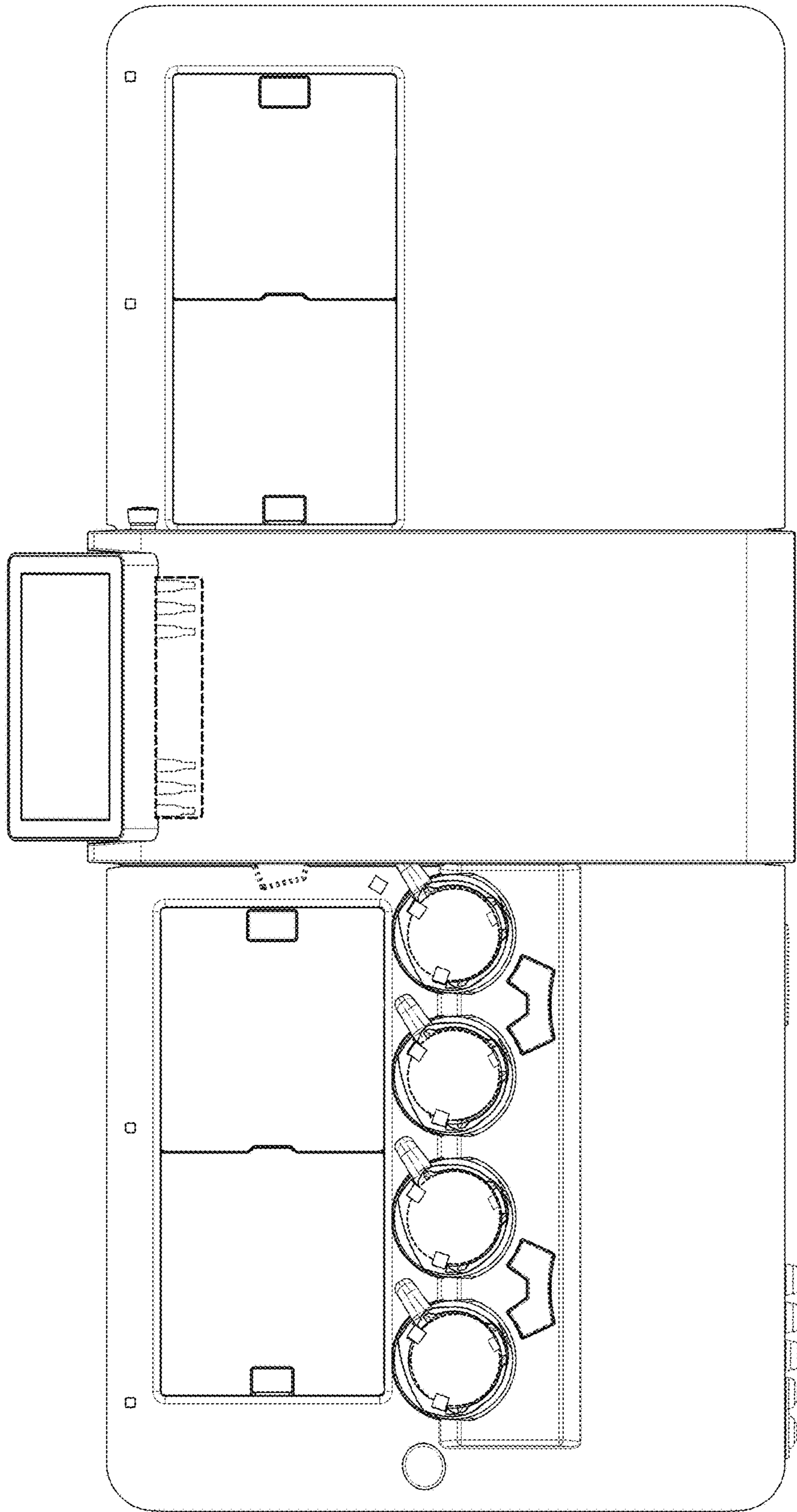


Fig. 7